



US00D403902S

United States Patent [19] Schwartz

[11] **Patent Number: Des. 403,902**

[45] **Date of Patent: **Jan. 12, 1999**

[54] **FRONT FACE OF A MOLDING**

[75] Inventor: **David L. Schwartz**, Florence, Ala.

[73] Assignee: **AHC Inc.**, Florence, Ala.

[**] Term: **14 Years**

[21] Appl. No.: **72,242**

[22] Filed: **Jun. 10, 1997**

D. 388,268	12/1997	Hahn	D6/495
D. 390,382	2/1998	Schwartz	D6/480
5,195,713	3/1993	Dore et al.	248/441.1

OTHER PUBLICATIONS

Chromedge, Feb. 24, 1956, #634 at center.

Primary Examiner—Janice E. Seeger

Attorney, Agent, or Firm—Jones, Day, Reavis & Pogue

[57] CLAIM

The ornamental design for a front face of a molding, as shown and described.

Related U.S. Application Data

[63] Continuation-in-part of Ser. No. 55,674, Jun. 10, 1996, Pat. No. Des. 390,382, which is a continuation-in-part of Ser. No. 642,750, May 3, 1996, abandoned.

[51] **LOC (6) Cl. 06-06**

[52] **U.S. Cl. D6/491**

[58] **Field of Search** D6/480-489, 429, D6/511; 108/150, 153, 155-157, 161; 52/800.11; 297/452.38; D8/402; D25/123, 125

DESCRIPTION

FIG. 1 is a perspective view of a front face of a molding, in accordance with our new design, shown on a table for convenience of illustration; the broken lines are for environmental purposes only and form no part of the claimed design;

FIG. 2 is an enlarged front elevational view of the front face of a molding, broken in the center to disclose indeterminate length;

FIG. 3 is an enlarged side view thereof, the opposite side being a mirror image thereof; and,

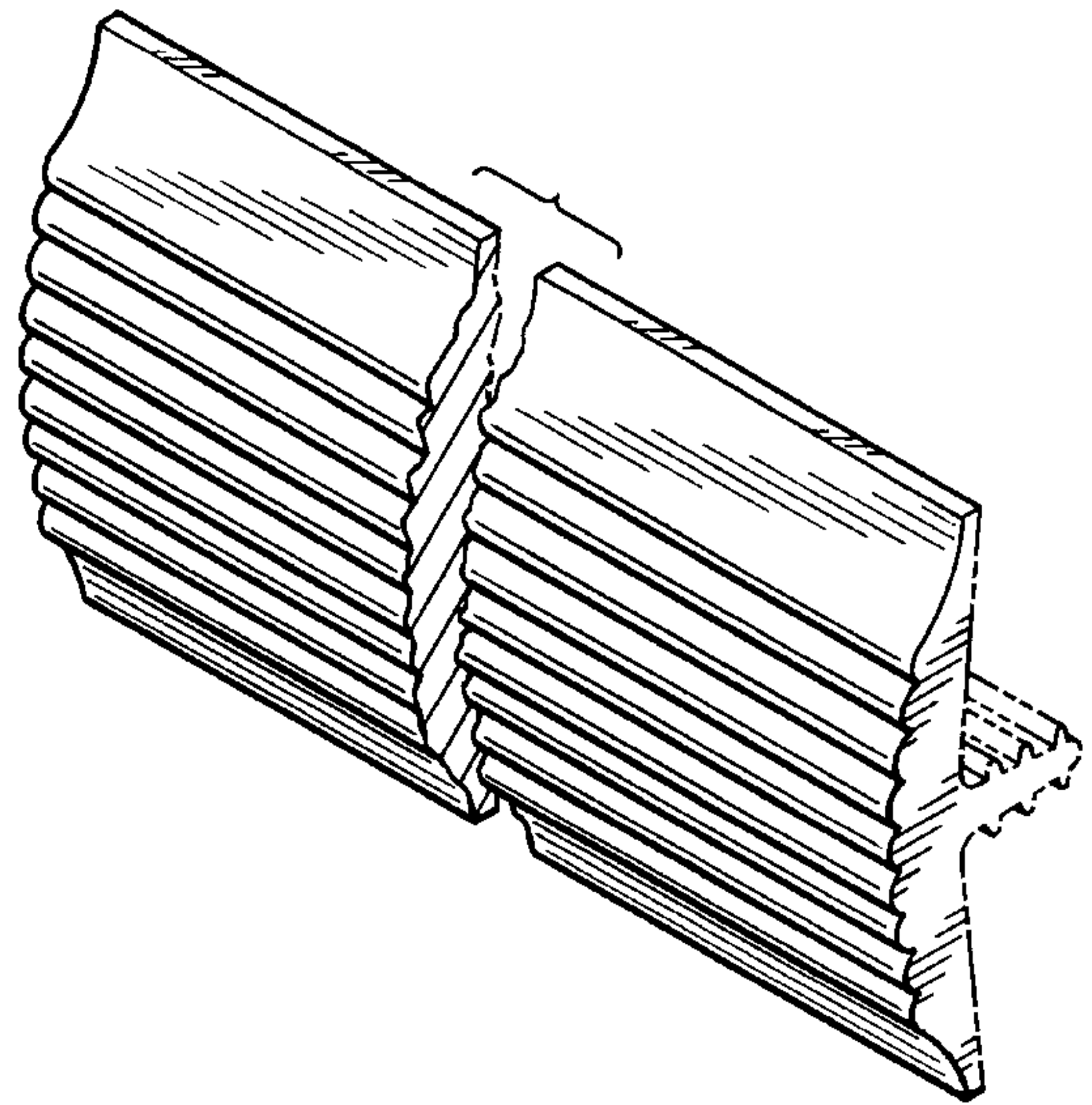
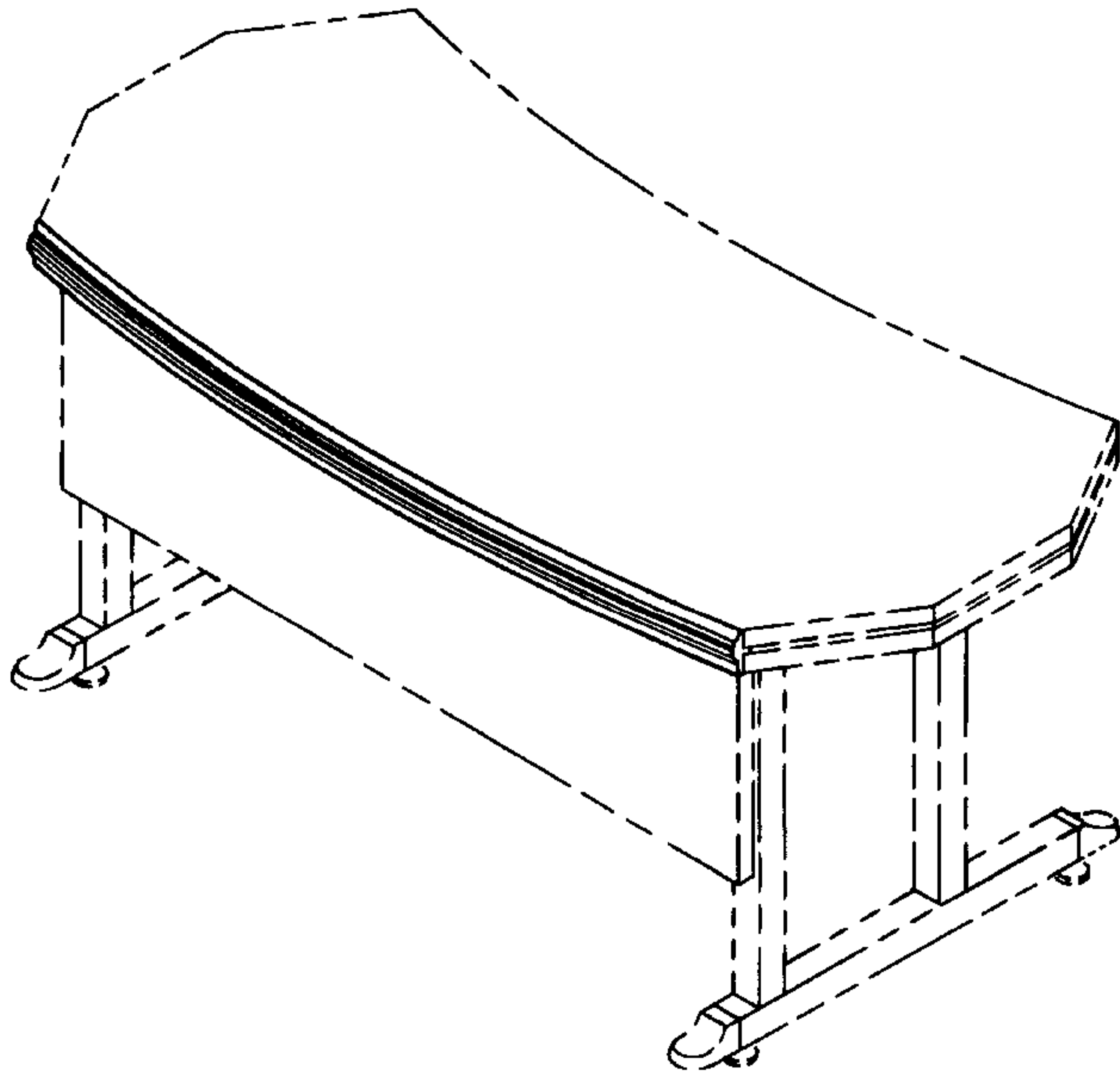
FIG. 4 is an enlarged perspective view thereof and broken in the center to disclose indeterminate length.

[56] References Cited

U.S. PATENT DOCUMENTS

D. 51,508	11/1917	Plym	D25/123
D. 117,686	11/1939	Bonnell	D25/123
D. 144,872	5/1946	Rhodes	D6/484
D. 165,150	11/1951	Gebhard	D25/125

1 Claim, 2 Drawing Sheets



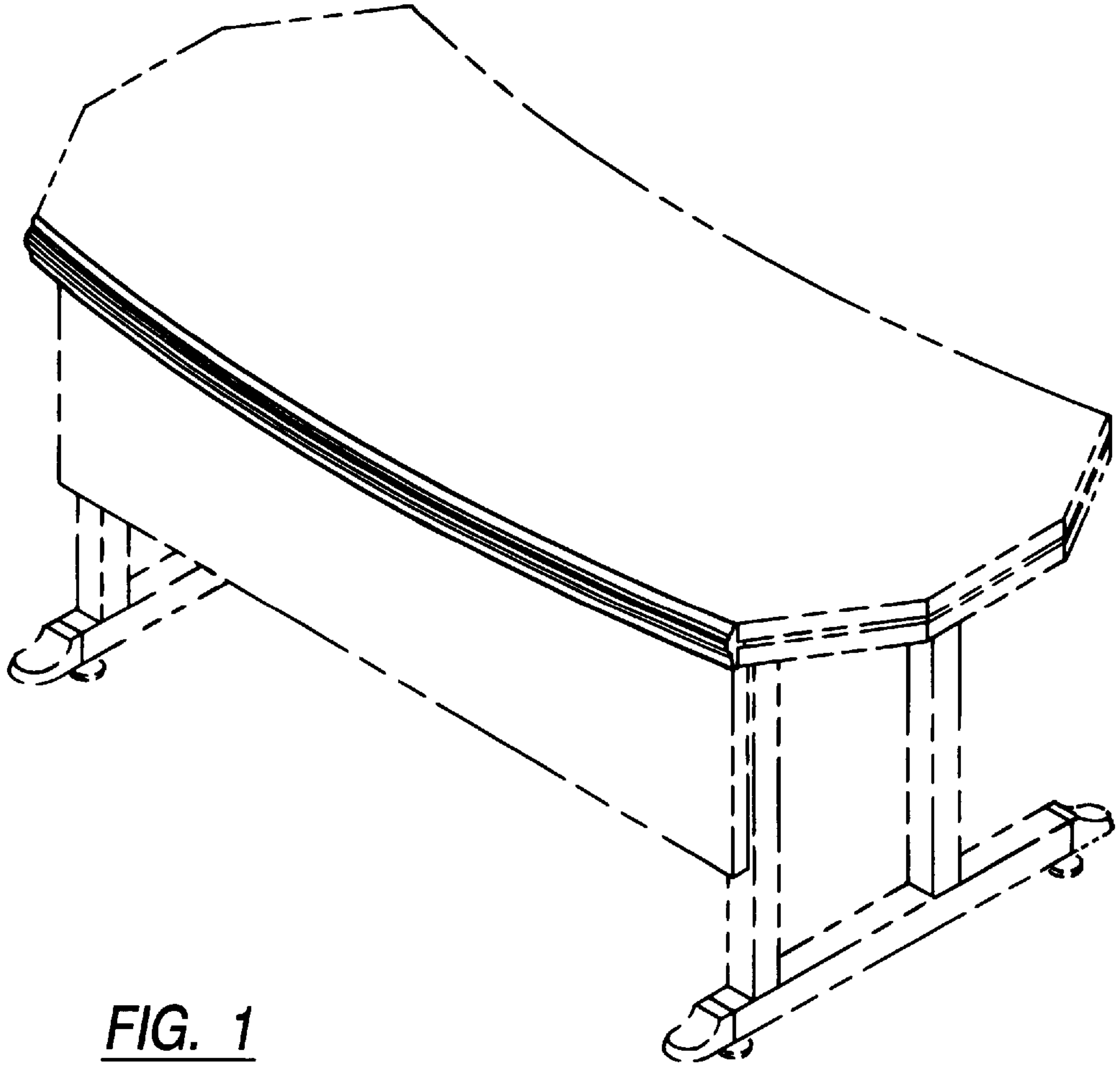


FIG. 1

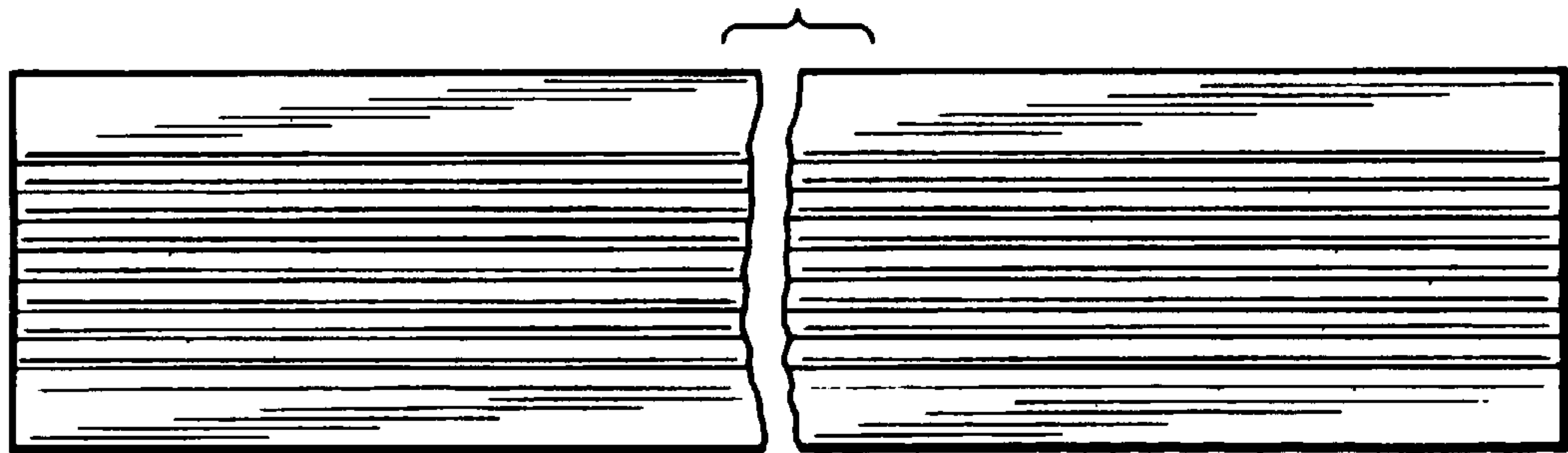


FIG. 2

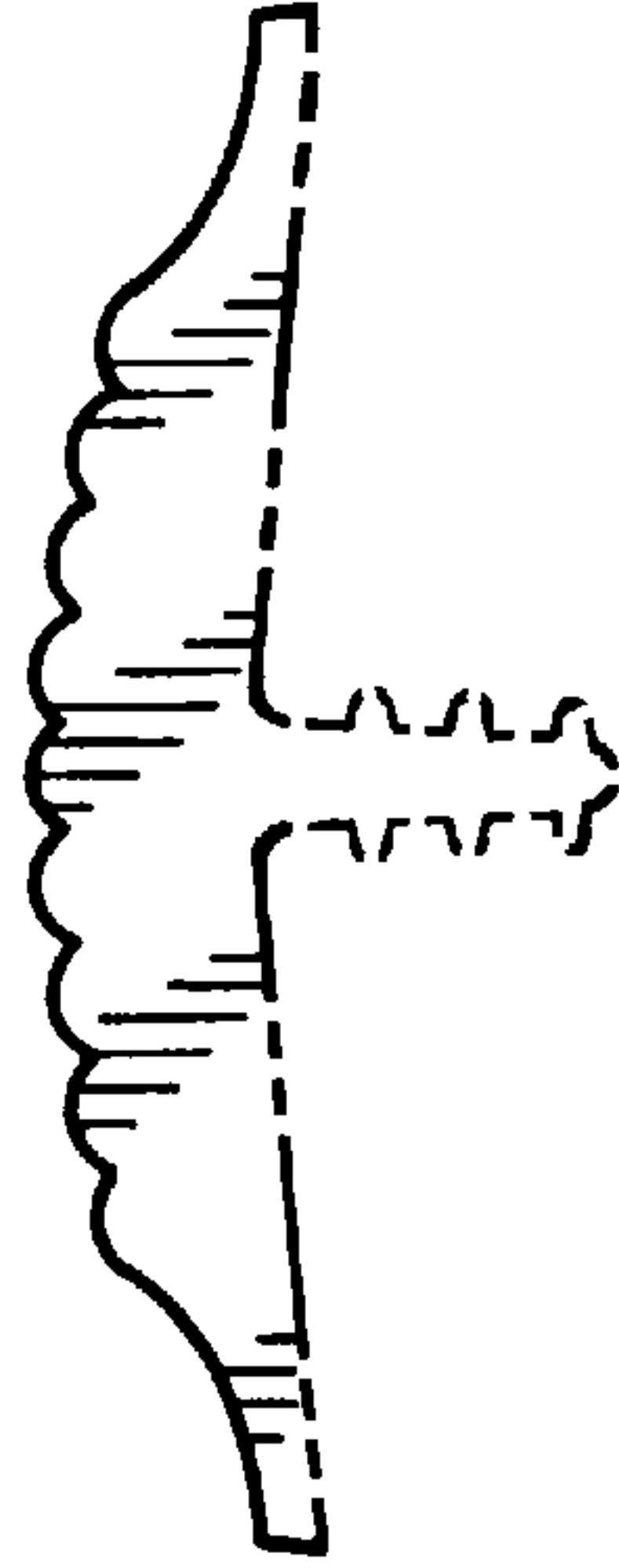


FIG. 3

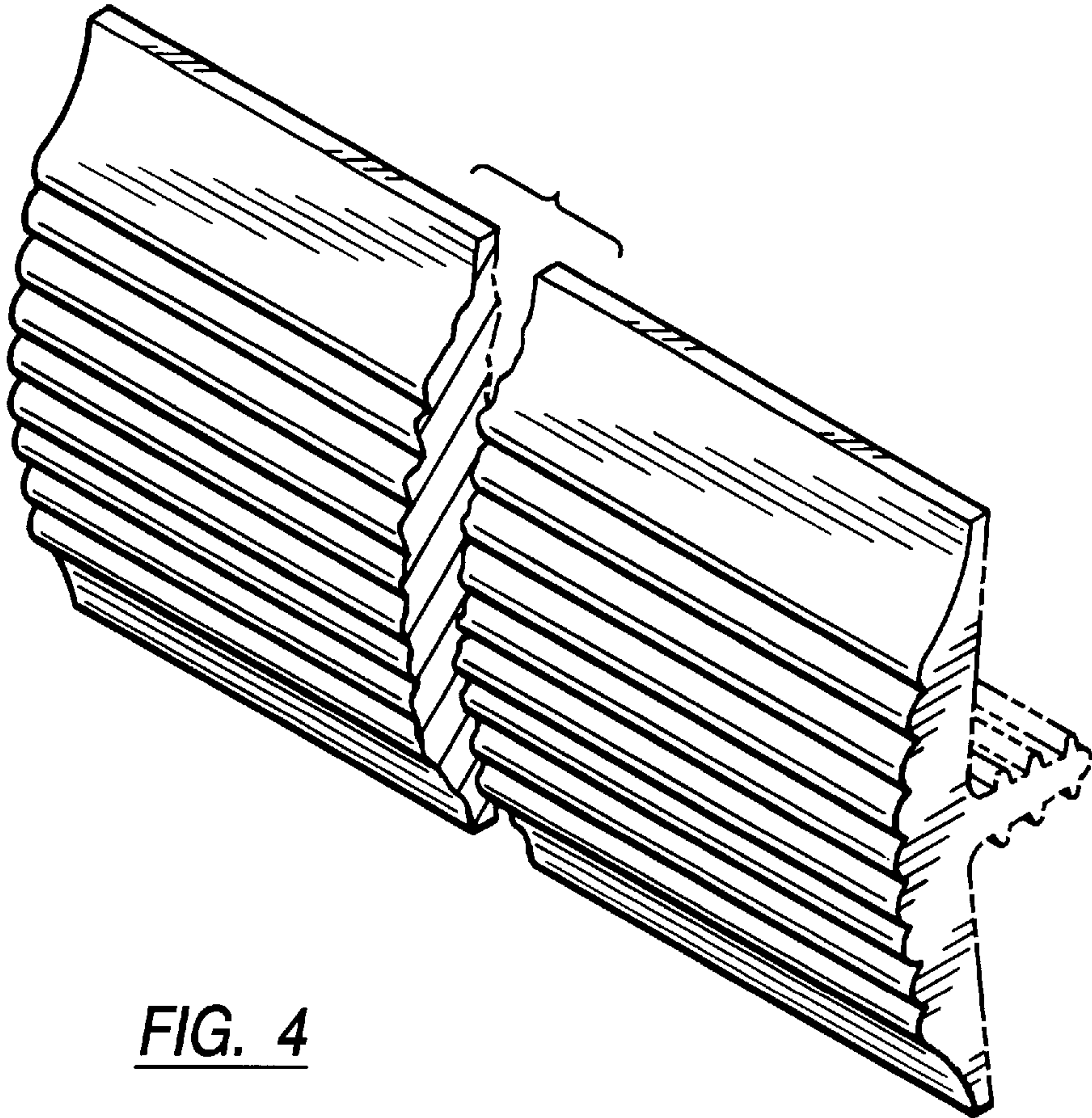


FIG. 4