



US00D403898S

# United States Patent [19] Arnegger

[11] **Patent Number: Des. 403,898**

[45] **Date of Patent: \*\*Jan. 12, 1999**

[54] **TABLE**

[76] Inventor: **Dieter Arnegger**, Feuerbachstr. 30,  
D-79576 Weil am Rhein, Germany

[\*\*] Term: **14 Years**

[21] Appl. No.: **66,555**

[22] Filed: **Feb. 14, 1997**

### [30] Foreign Application Priority Data

Aug. 16, 1996 [DE] Germany ..... 196 33 007.6

[51] **LOC (6) Cl.** ..... **06-03**

[52] **U.S. Cl.** ..... **D6/480**

[58] **Field of Search** ..... D6/480-489, 495-499,  
D6/429, 423; 108/153, 155, 156, 157, 161;  
248/188.1, 188.8, 407

### [56] References Cited

#### U.S. PATENT DOCUMENTS

D. 137,684	4/1944	Kramer	.....	D6/480
D. 179,900	3/1957	Jones et al.	.....	D6/480
D. 343,311	1/1994	Ball	.....	D6/487
D. 345,476	3/1994	Burdick et al.	.....	D6/495

5,666,888 9/1997 Dame et al. .... 248/407

*Primary Examiner*—Janice E. Seeger  
*Attorney, Agent, or Firm*—Robert W Becker & Associates

### [57] CLAIM

The ornamental design for a table, as shown and described.

### DESCRIPTION

FIG. 1 is a side view showing my novel table, with both sides having an identical appearance;  
 FIG. 2 is a front view thereof, with the rear view being identical thereto;  
 FIG. 3 is a top view thereof;  
 FIG. 4 is a bottom view thereof;  
 FIG. 5 is a bottom perspective view thereof;  
 FIG. 6 is a side view, showing a second embodiment of my new design, both sides having an identical appearance;  
 FIG. 7 is a front view thereof, the rear view being identical thereto;  
 FIG. 8 is a top view thereof;  
 FIG. 9 is a bottom view thereof; and,  
 FIG. 10 is a bottom perspective view thereof.

**1 Claim, 6 Drawing Sheets**

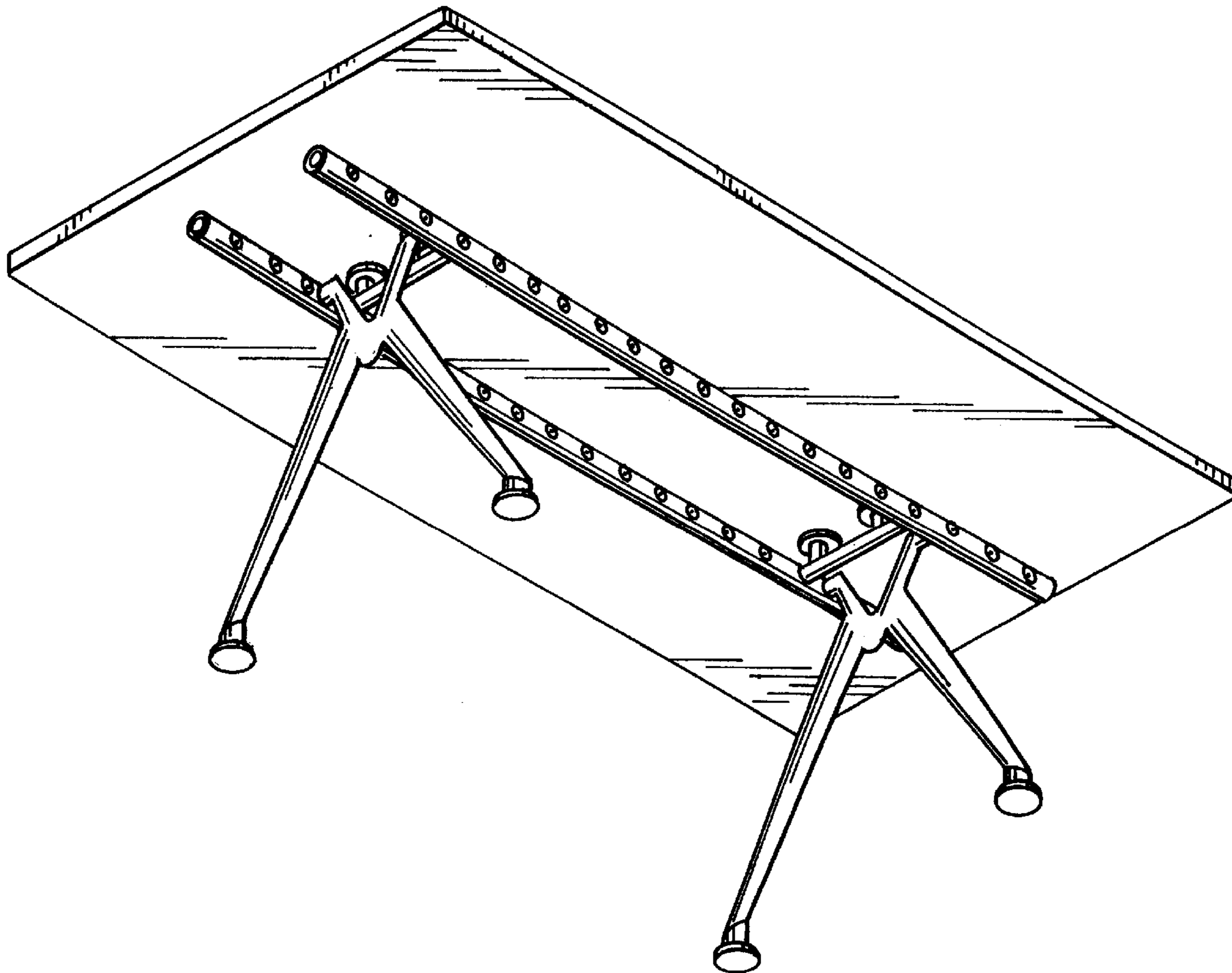


FIG.1

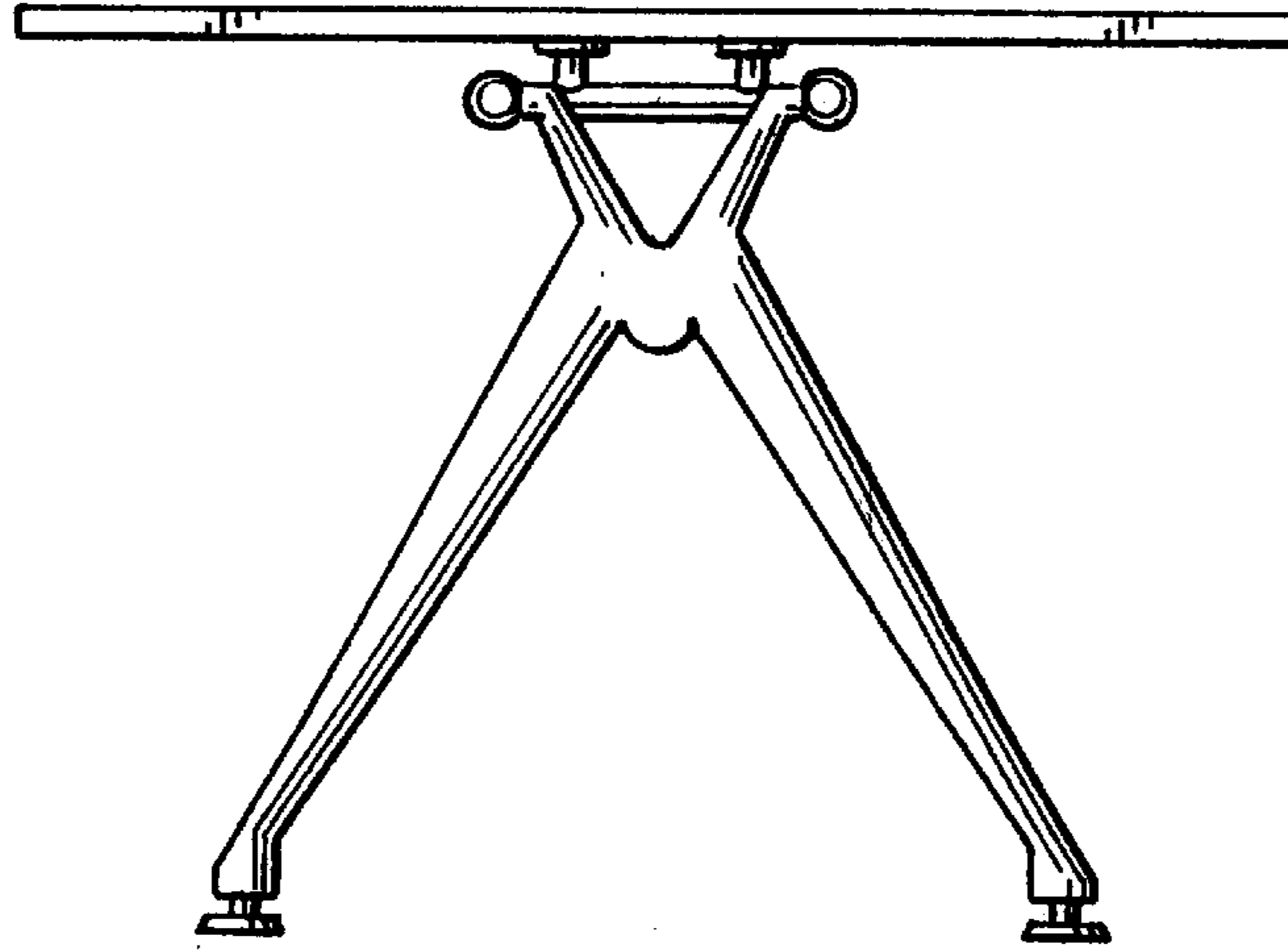


FIG. 2

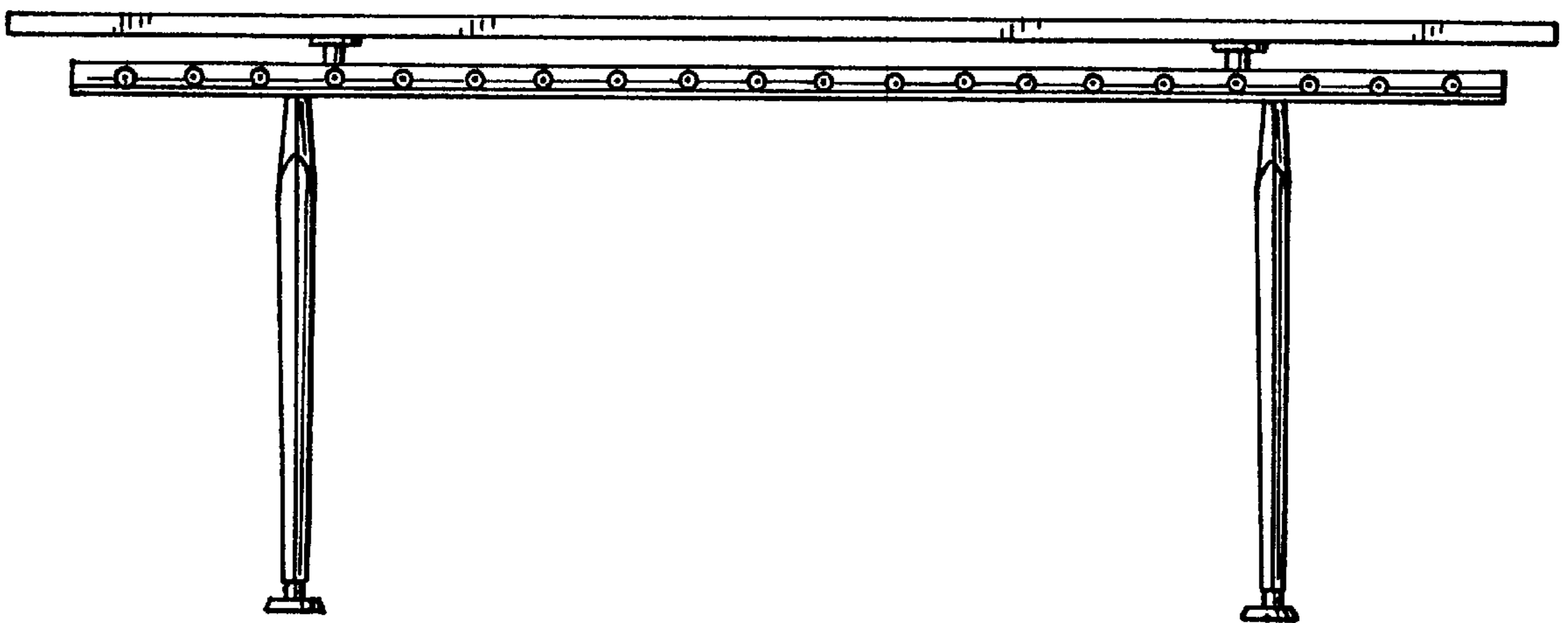


FIG. 3

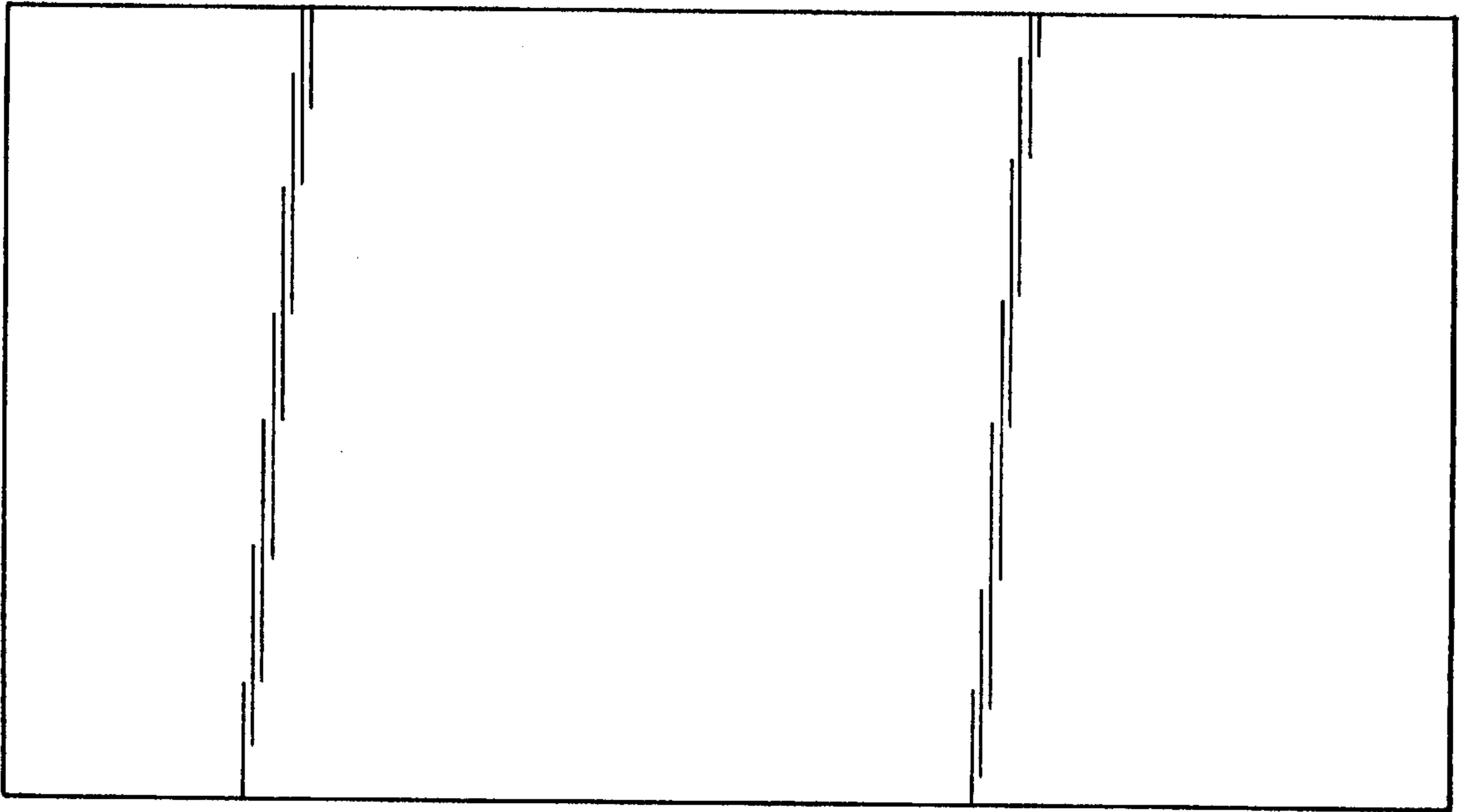


FIG. 4

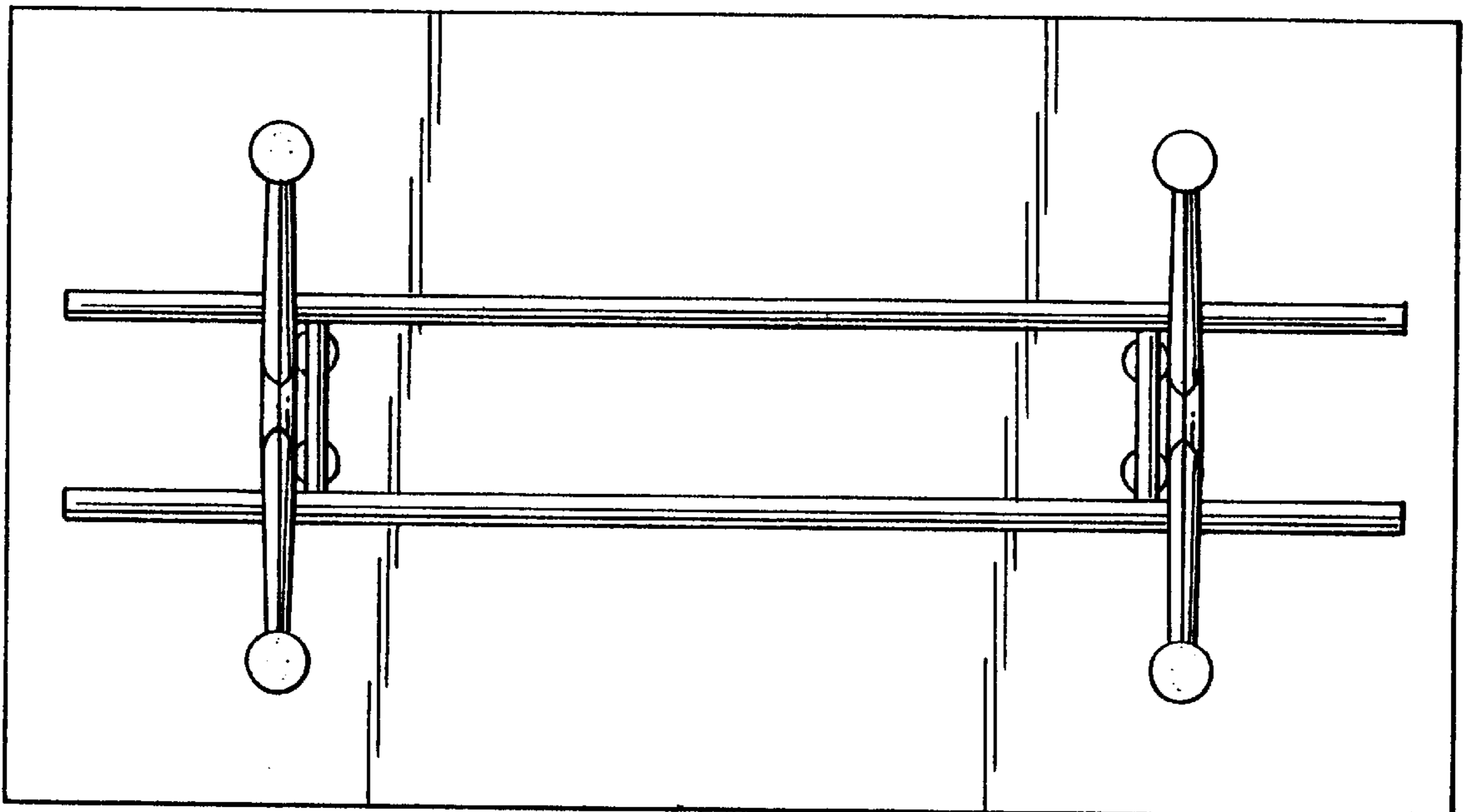


FIG. 5

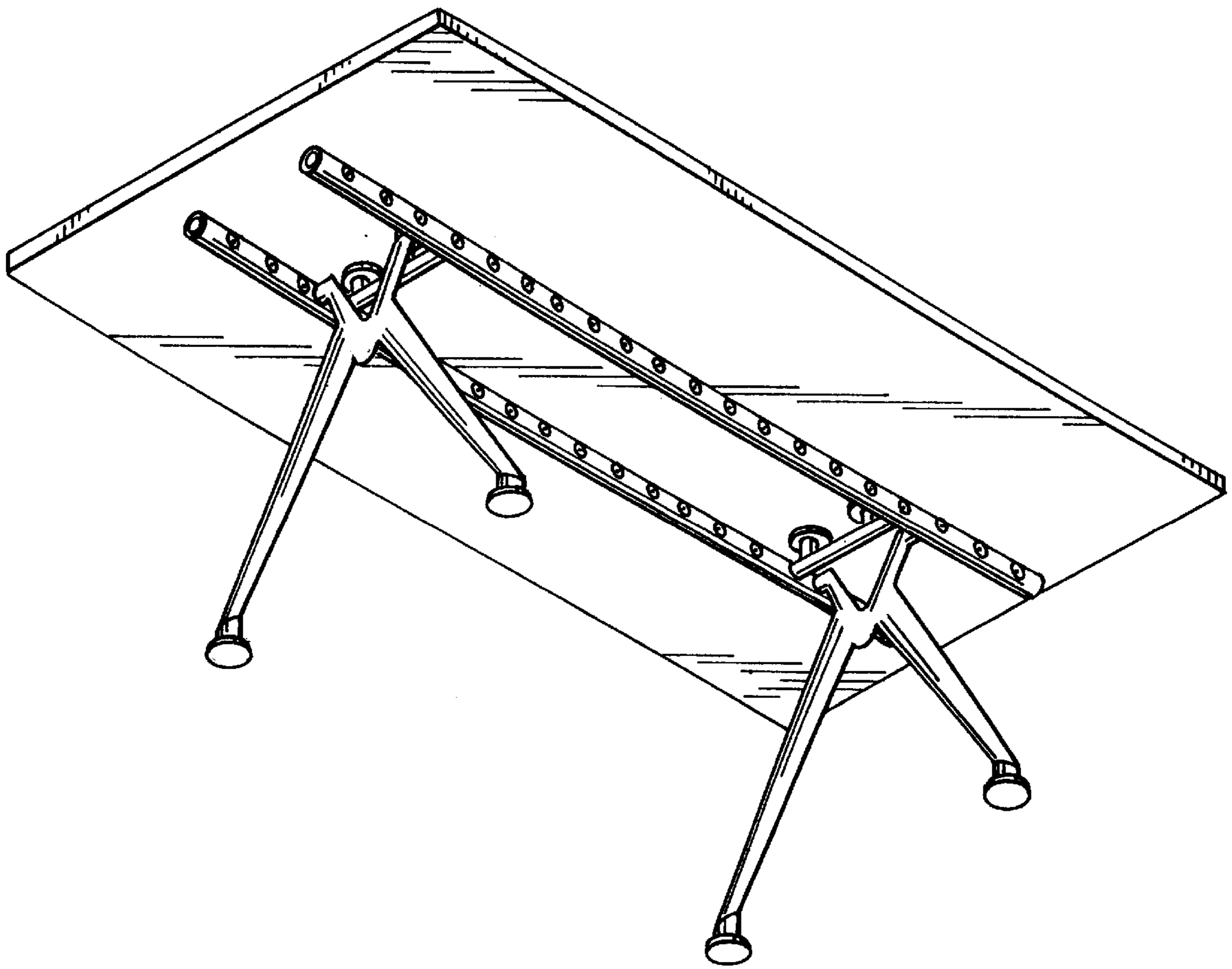


FIG. 6

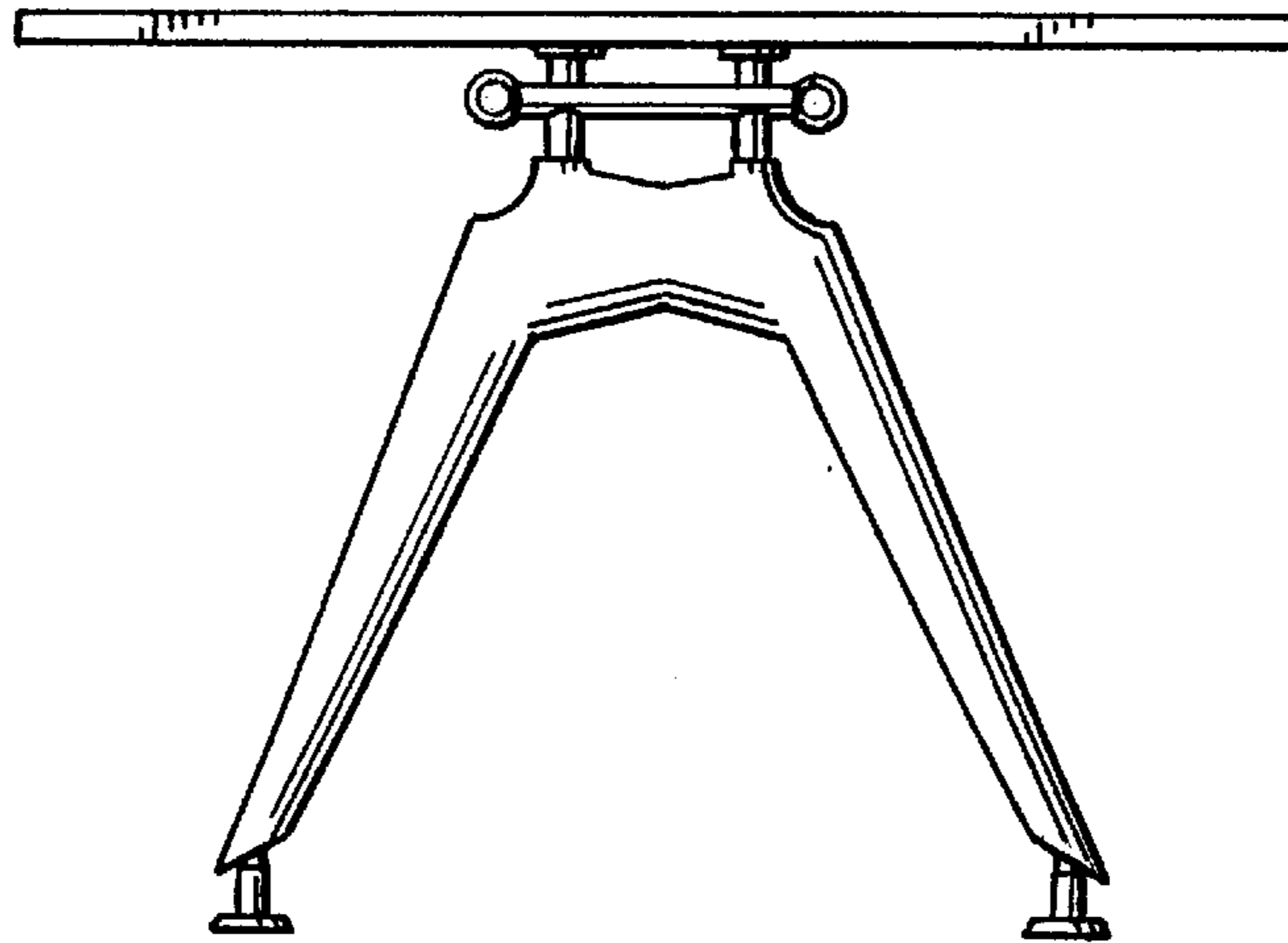


FIG. 7

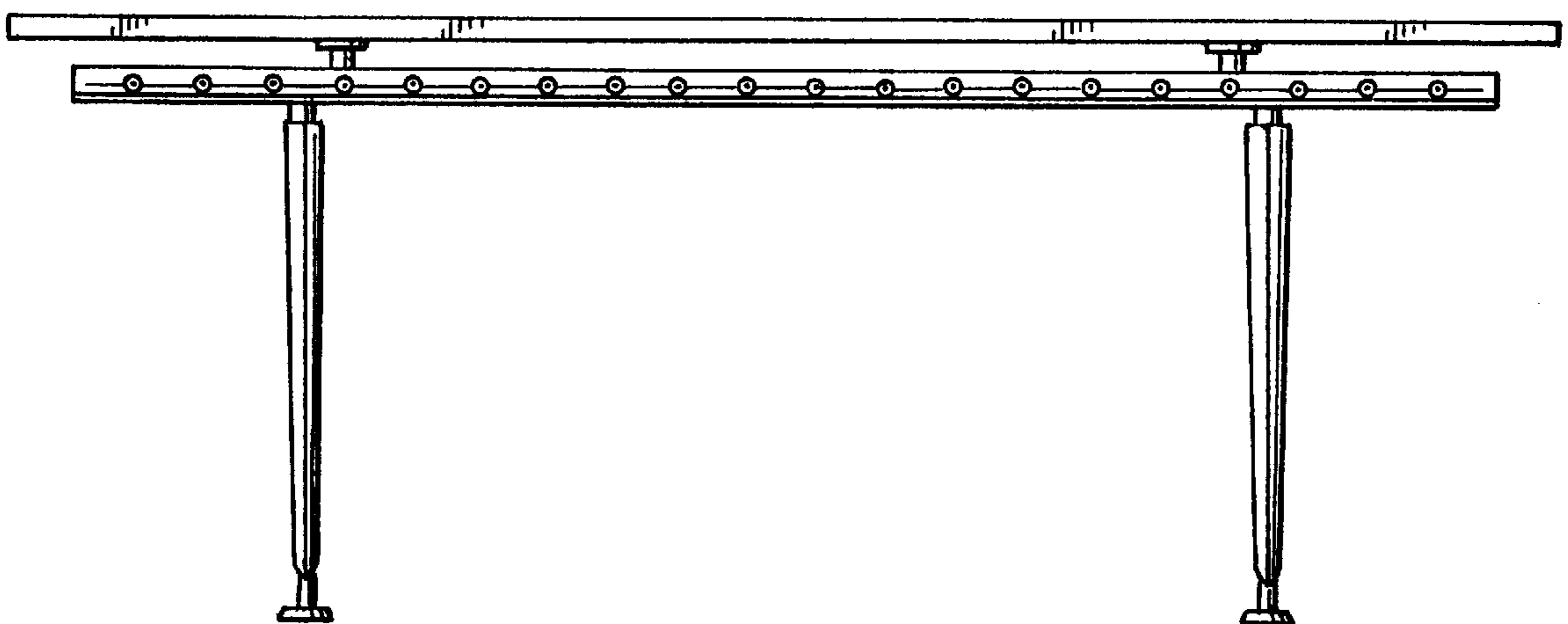


FIG. 8

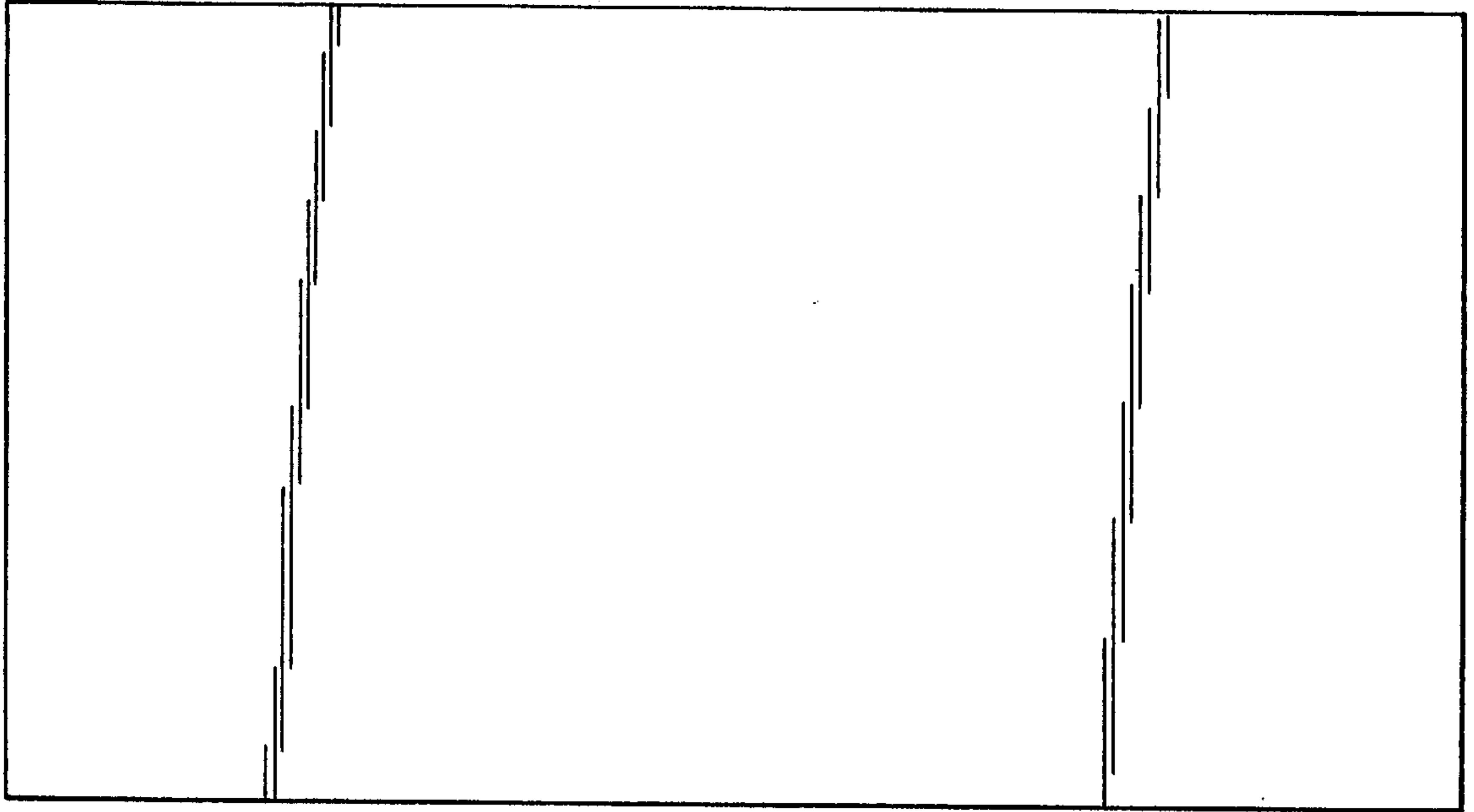


FIG. 9

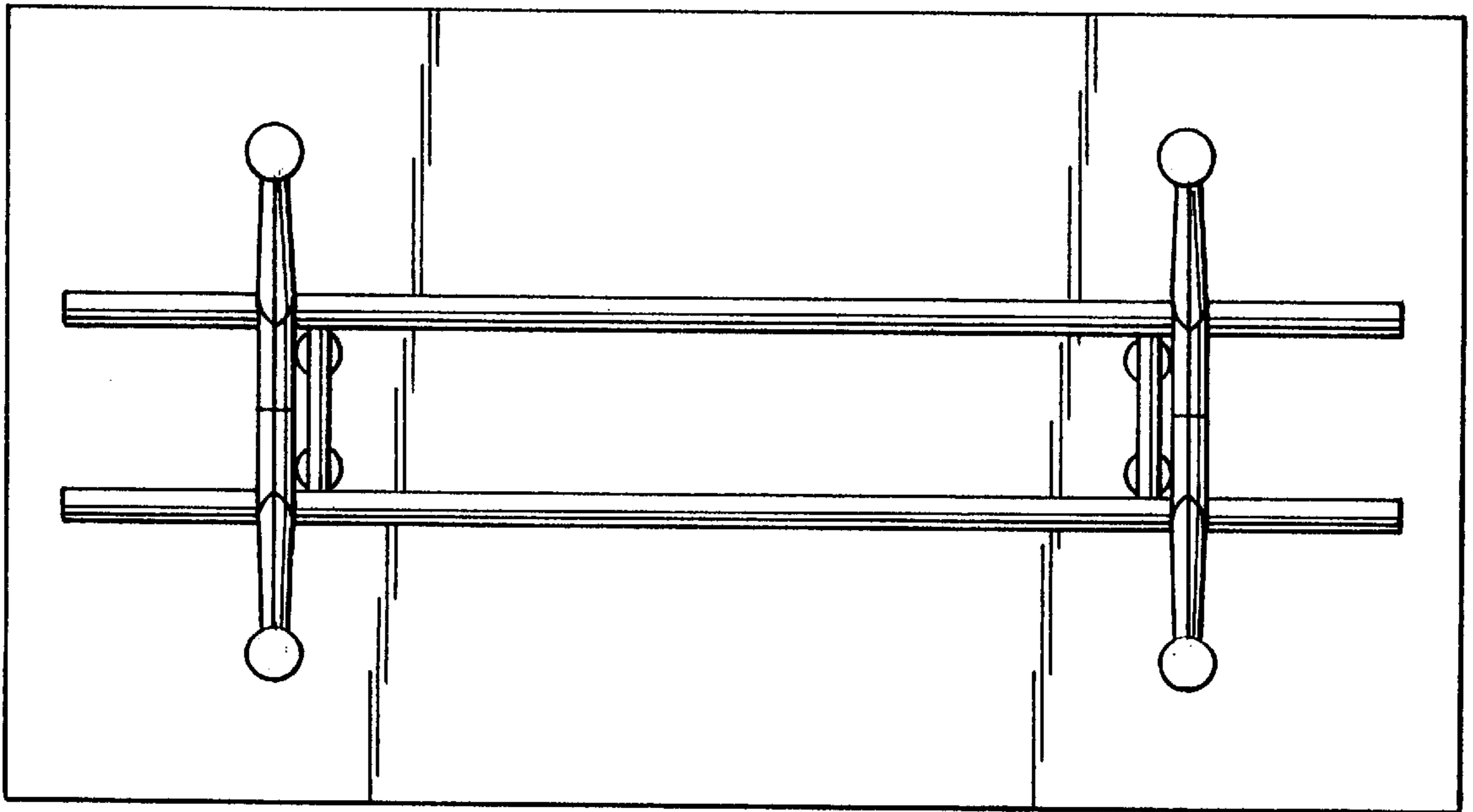


FIG. 10

