



US00D403886S

United States Patent [19]

Geier et al.

[11] Patent Number: **Des. 403,886**

[45] Date of Patent: ****Jan. 12, 1999**

[54] **RETAIL DISPLAY UNIT**

[75] Inventors: **James Geier; Jim Jobes**, both of Chicago, Ill.

[73] Assignee: **555 Design Fabrication Management, Inc.**, Chicago, Ill.

[**] Term: **14 Years**

[21] Appl. No.: **74,475**

[22] Filed: **Jul. 31, 1997**

[51] **LOC (6) Cl.** **06-04**

[52] **U.S. Cl.** **D6/436; D6/437**

[58] **Field of Search** D6/421-428, 432-448, D6/396, 397, 470-472; 312/114, 204, 140.1; 211/45, 55

[56] **References Cited**

U.S. PATENT DOCUMENTS

- D. 75,625 6/1928 Hoke et al. D6/438
- D. 93,641 10/1934 Straayer D6/437

- D. 147,385 8/1947 Stone D6/437
- D. 151,637 11/1948 Loosley D6/437
- D. 153,208 3/1949 Corrigan D6/437
- D. 175,439 8/1955 Palm, Jr. et al. D6/436
- D. 303,461 9/1989 Schouten et al. D6/437 X
- D. 318,192 7/1991 Henry D6/437

Primary Examiner—Carmen H. Vales-Lado
Attorney, Agent, or Firm—Edward J. Chalfie

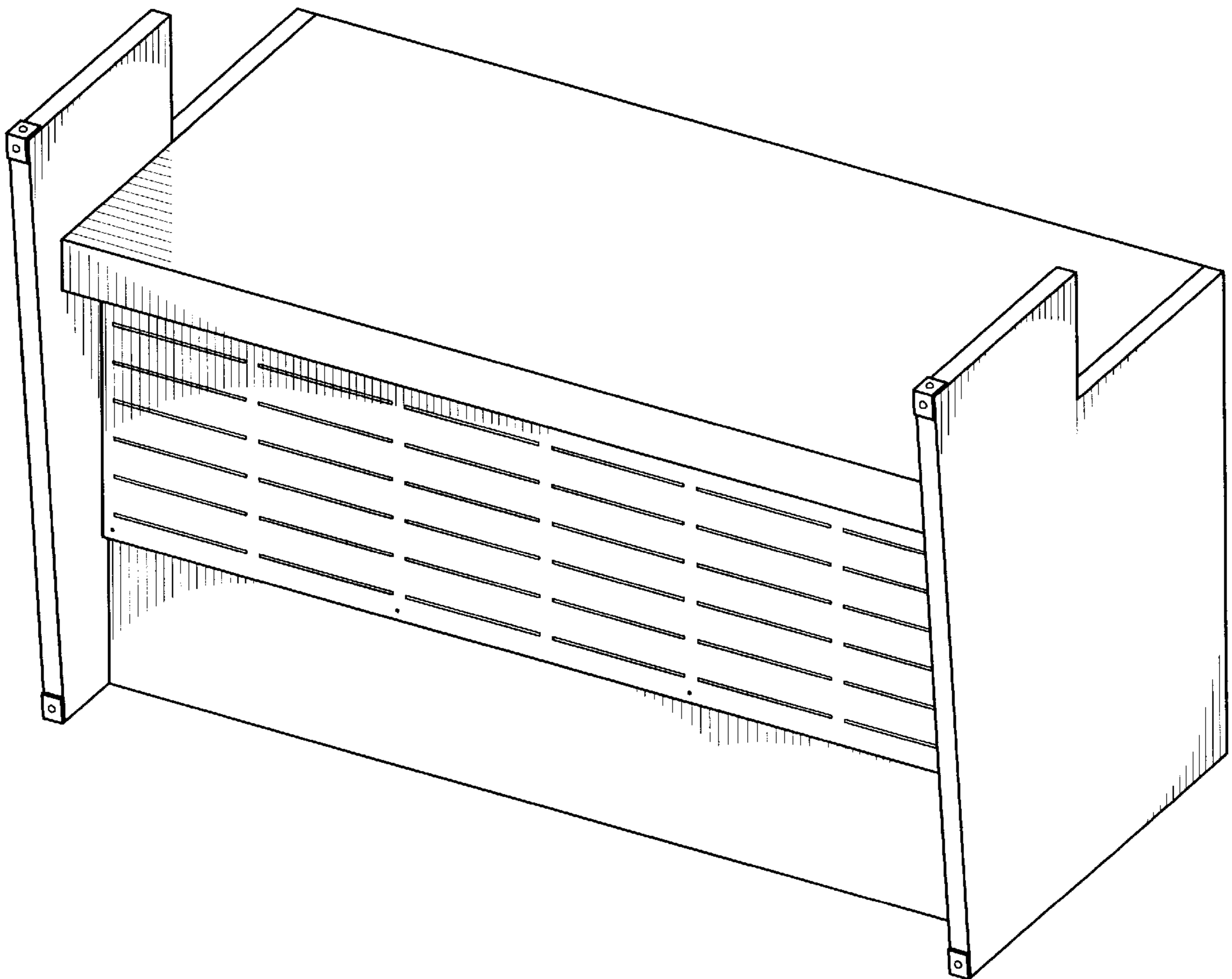
[57] **CLAIM**

The ornamental design for a retail display unit, as shown and described.

DESCRIPTION

FIG. 1 is a perspective view of a retail display unit showing our new design;
FIG. 2 is a front elevational view thereof;
FIG. 3 is a top plan view thereof;
FIG. 4 is a rear elevational view thereof; and,
FIG. 5 is a right side elevational view as seen when in use; the left side being a mirror image thereof.

1 Claim, 5 Drawing Sheets



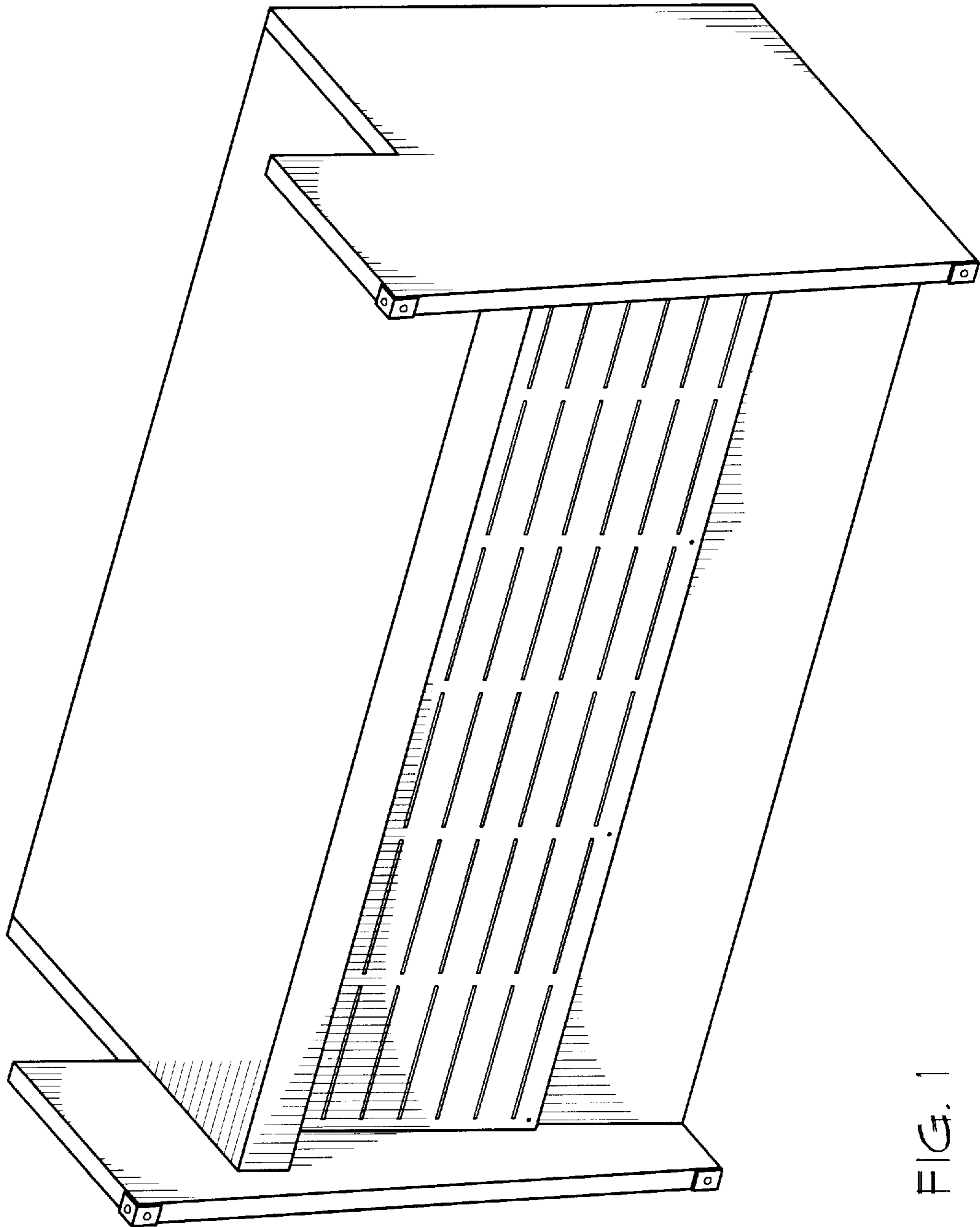


FIG. 1

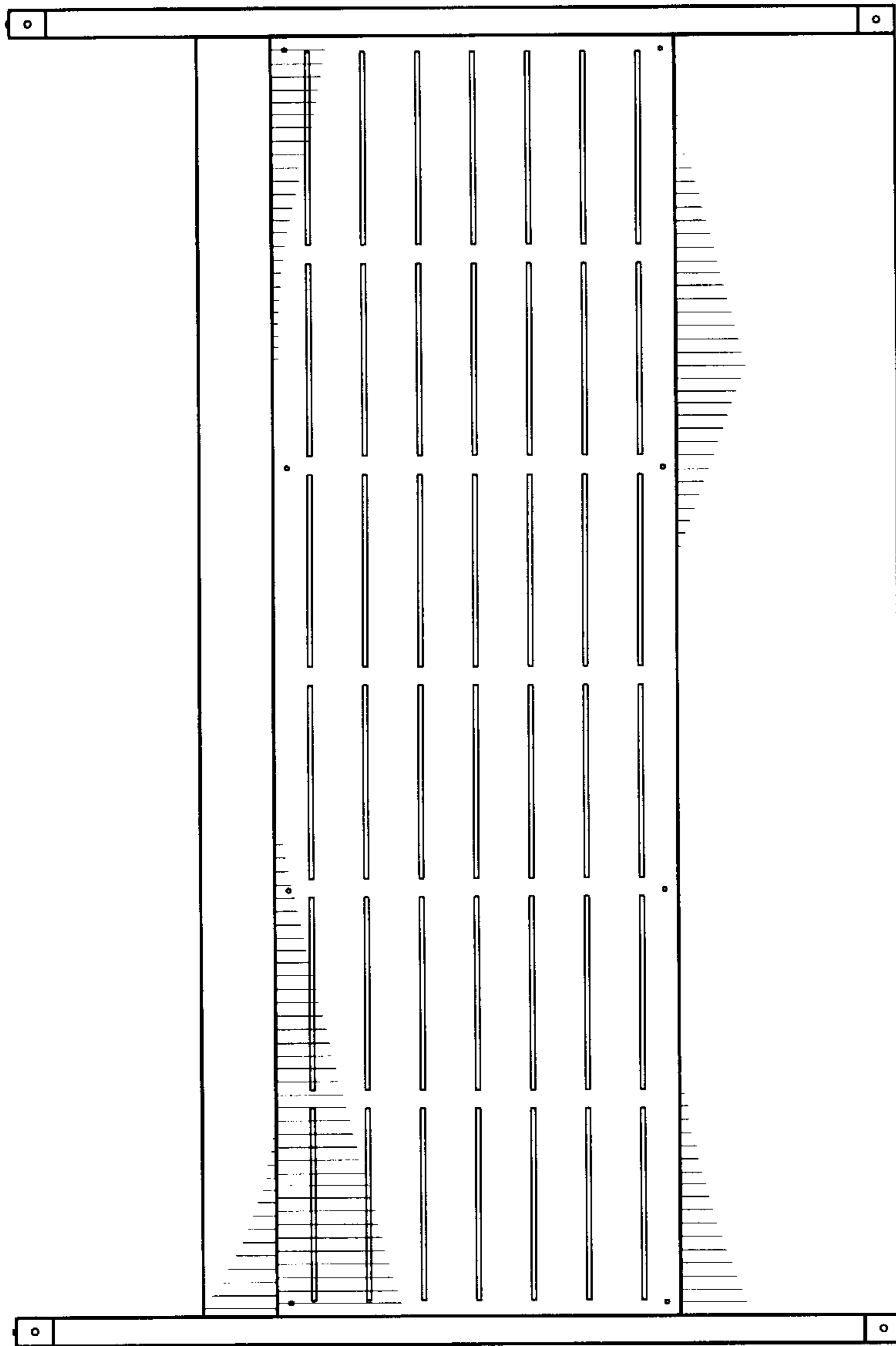


FIG. 2

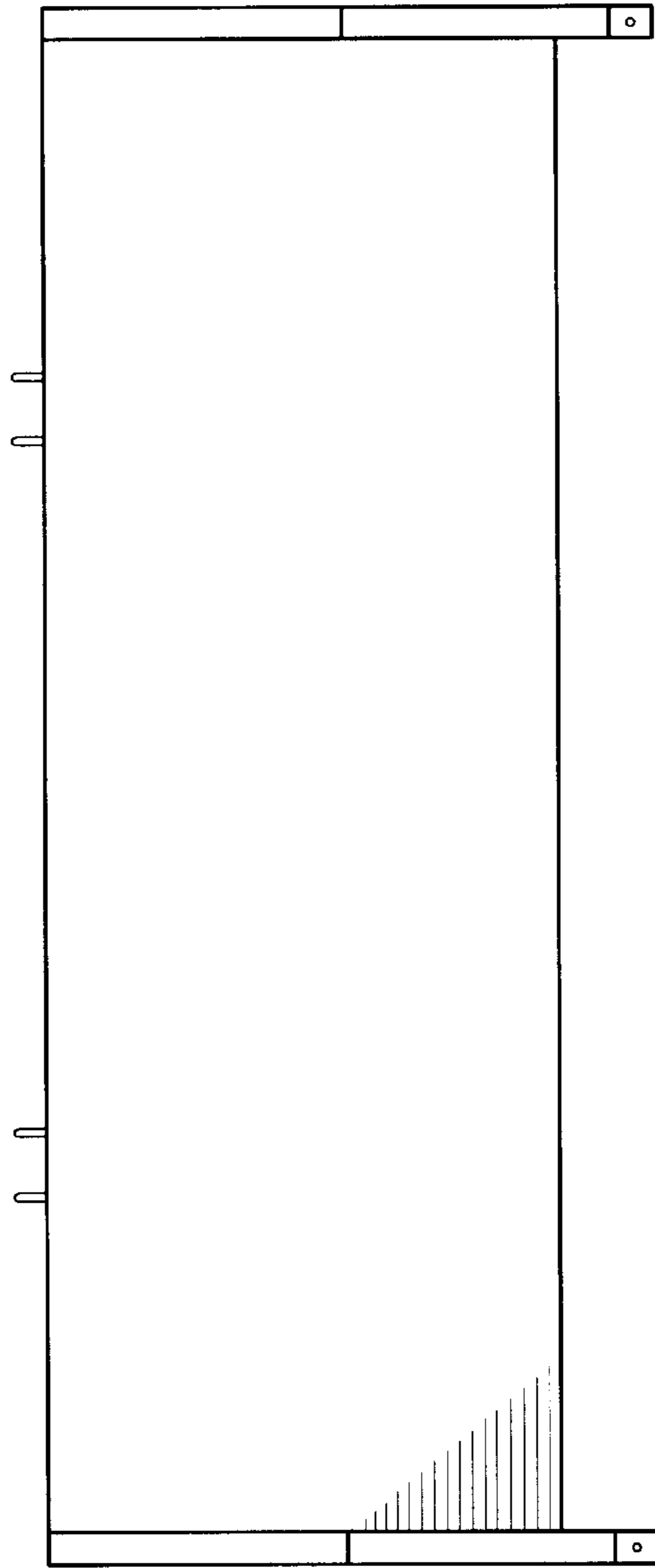


FIG. 3

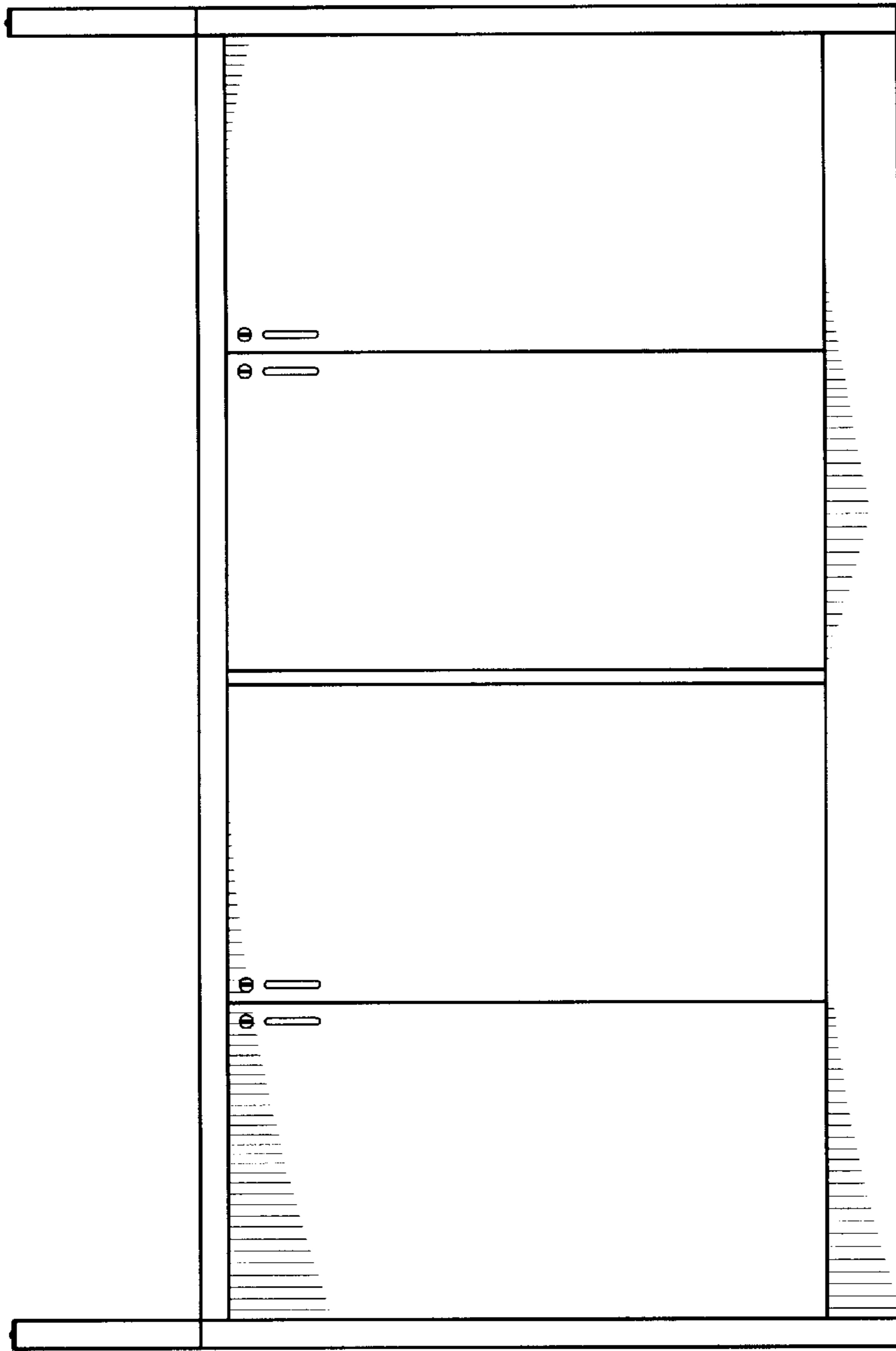


FIG. 4

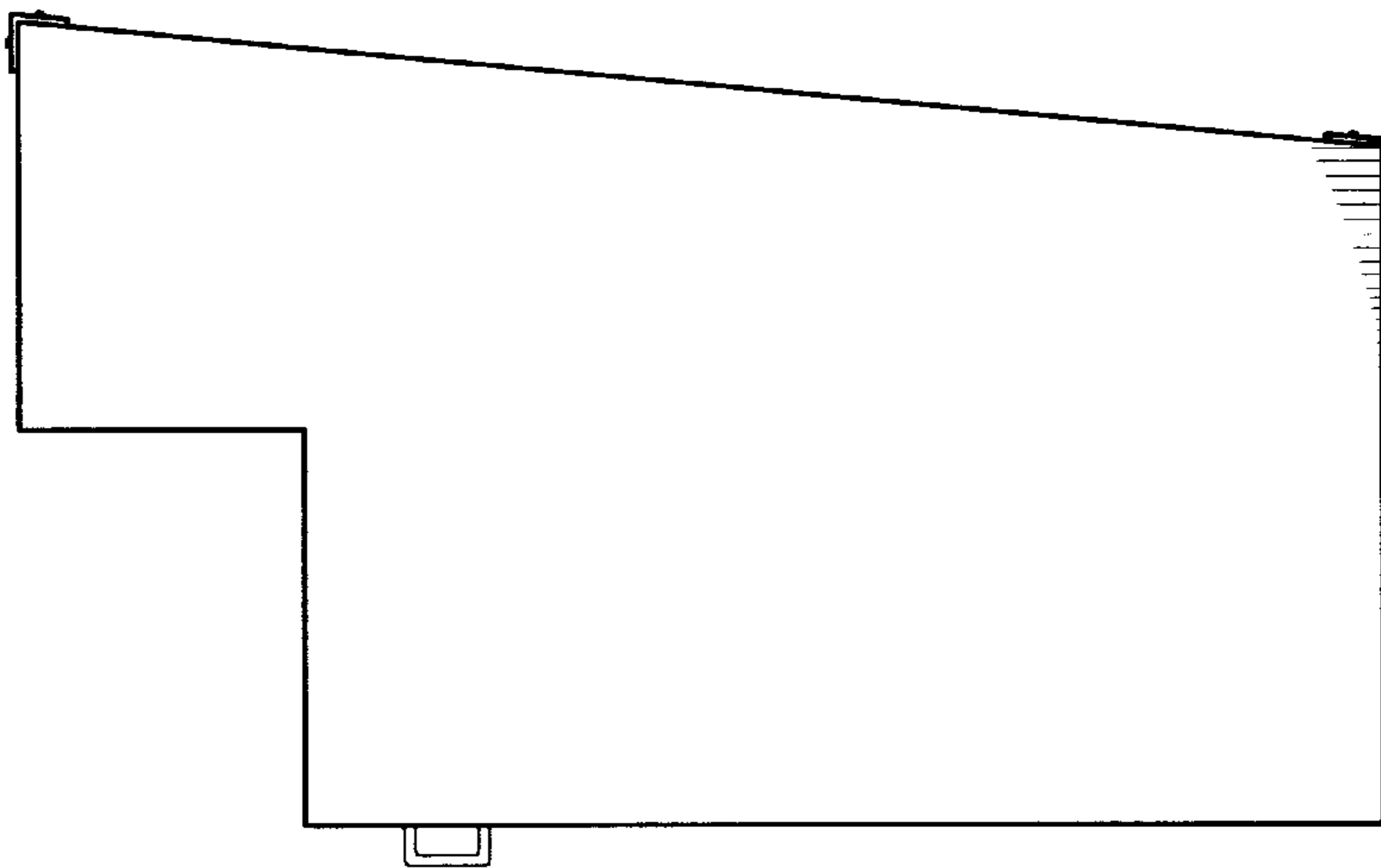


FIG. 5