



US00D403883S

United States Patent [19]
Murrill

[11] **Patent Number: Des. 403,883**

[45] **Date of Patent: **Jan. 12, 1999**

[54] **COLLAPSIBLE TABLE**

D. 329,547 9/1992 Hageman D6/406
D. 359,862 7/1995 Rousch D6/406

[76] Inventor: **Beulah Murrill**, P.O. Box 1717,
Jacksonville, N.C. 28541

Primary Examiner—Carmen H Vales-Lado

[**] Term: **14 Years**

[57] **CLAIM**

[21] Appl. No.: **22,114**

The ornamental design for a collapsible table, as shown and described.

[22] Filed: **May 2, 1994**

DESCRIPTION

[51] **LOC (6) Cl.** **06-04**

[52] **U.S. Cl.** **D6/429**

[58] **Field of Search** D6/406, 429-431;
D7/601, 602, 619; 108/43, 44

FIG. 1 is a front perspective view of a collapsible table showing my new design;

FIG. 2 is a front perspective view with the top lid open and sliding side shelf extended;

FIG. 3 is a front perspective view of FIG. 2 with the side holder in operative position;

FIG. 4 is a left front perspective view thereof;

FIG. 5 is a rear perspective view of FIG. 1; and,

FIG. 6 is a bottom plan view thereof.

[56] **References Cited**

U.S. PATENT DOCUMENTS

- D. 193,244 7/1962 Bliss D6/406
- D. 284,526 7/1986 Freeman D6/406 X
- D. 311,828 11/1990 Clark et al. D6/406
- D. 323,435 1/1992 Palacios D6/406

1 Claim, 3 Drawing Sheets

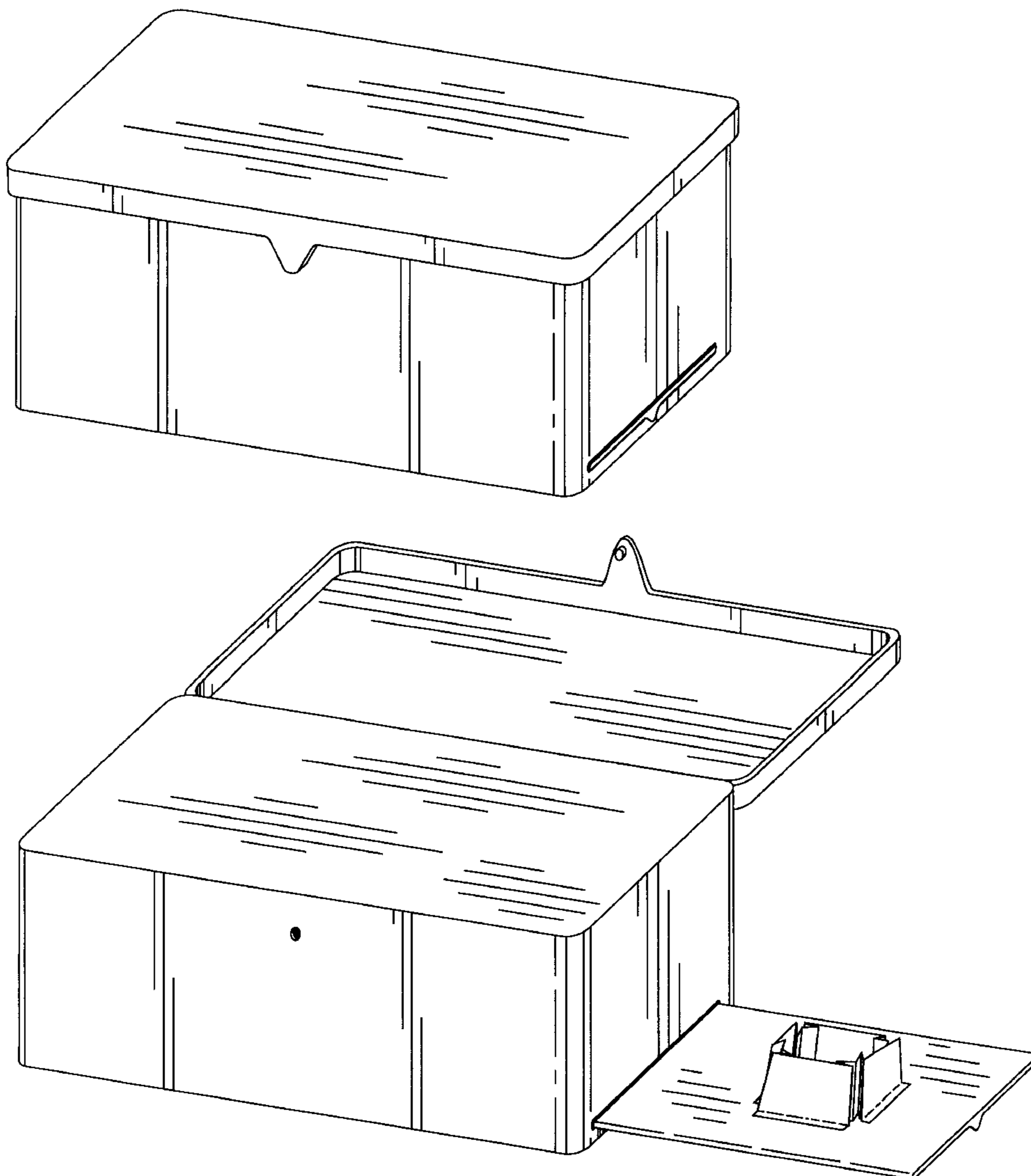


Fig.1

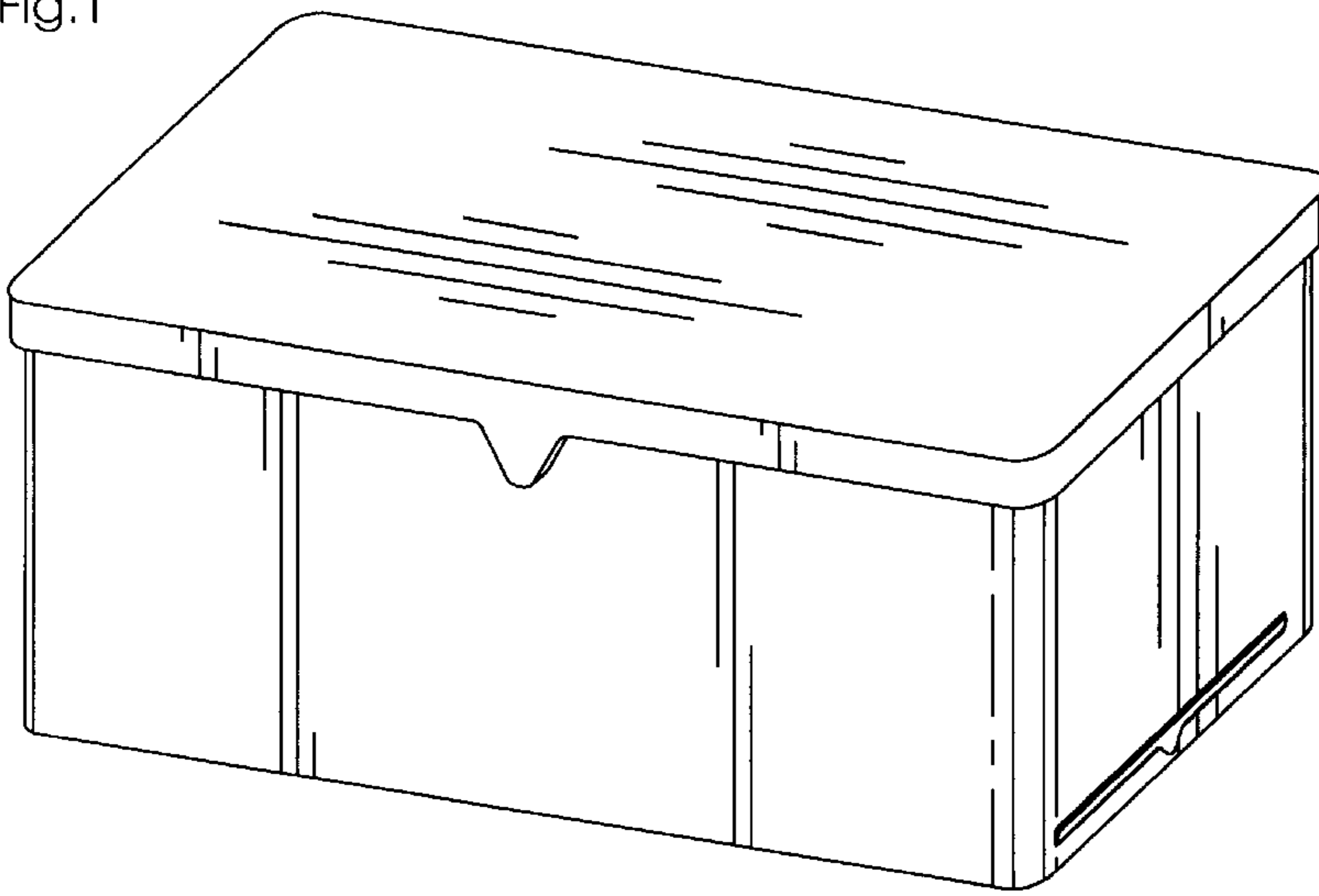


Fig.2

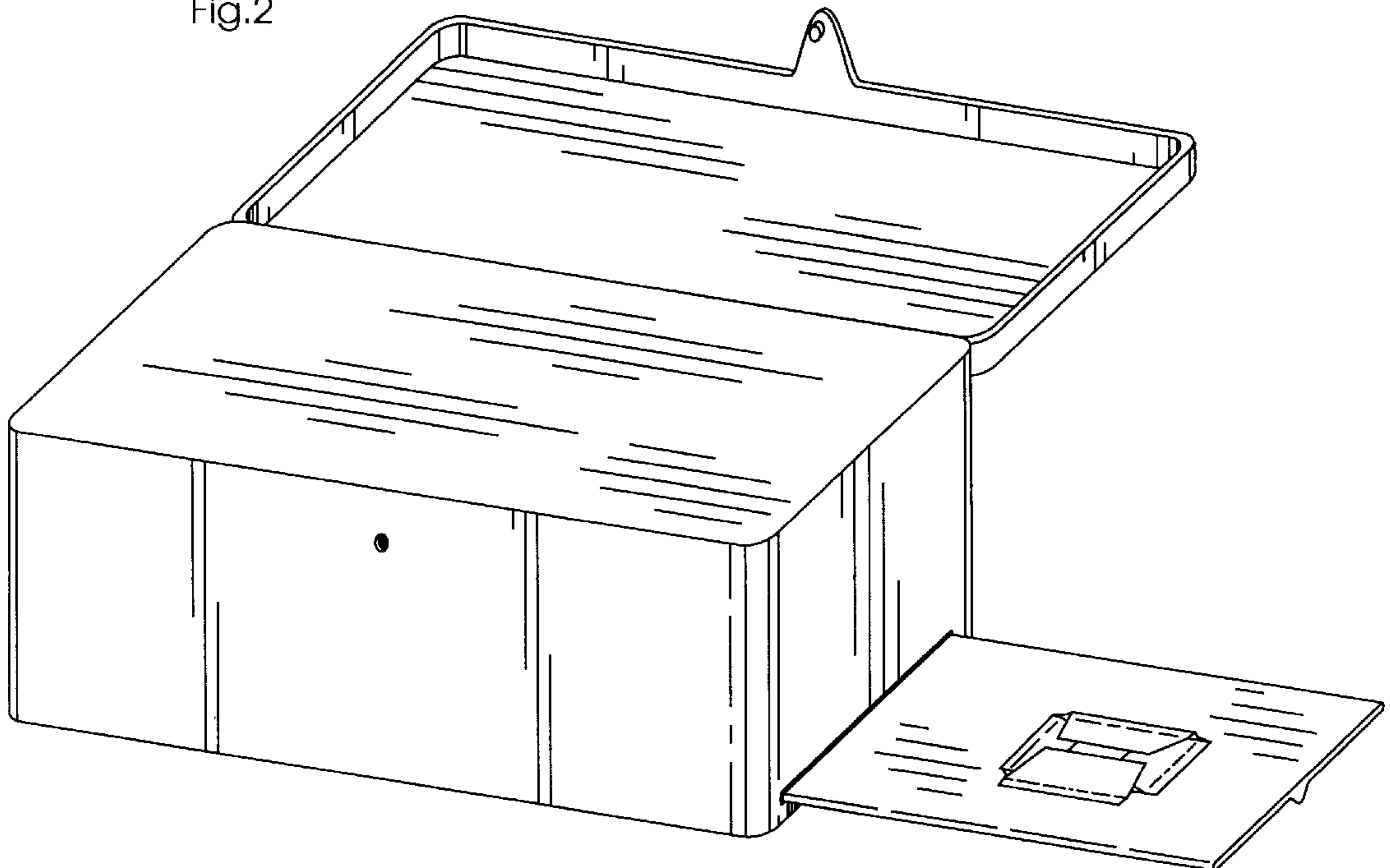


Fig.3

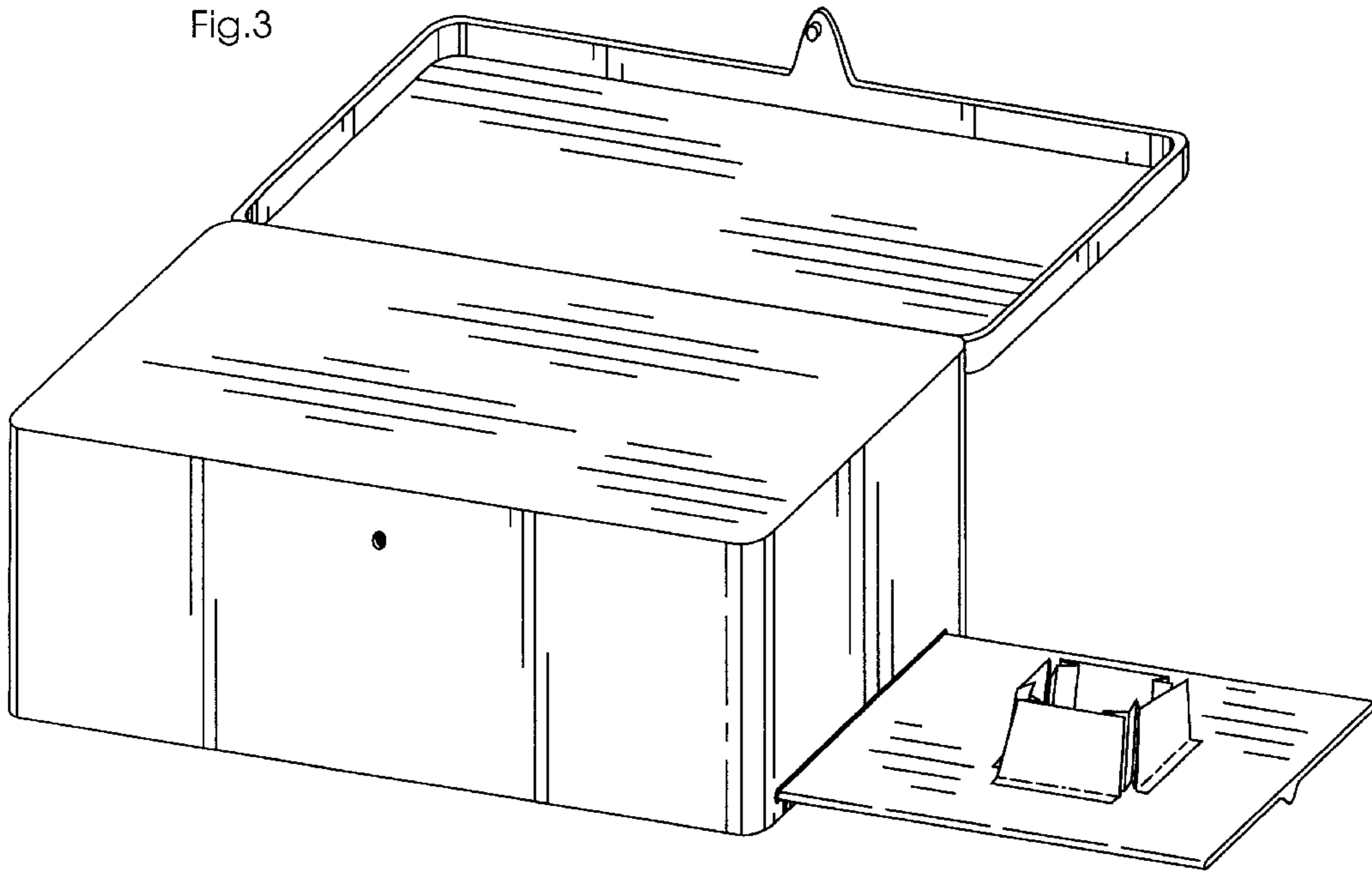


Fig.4

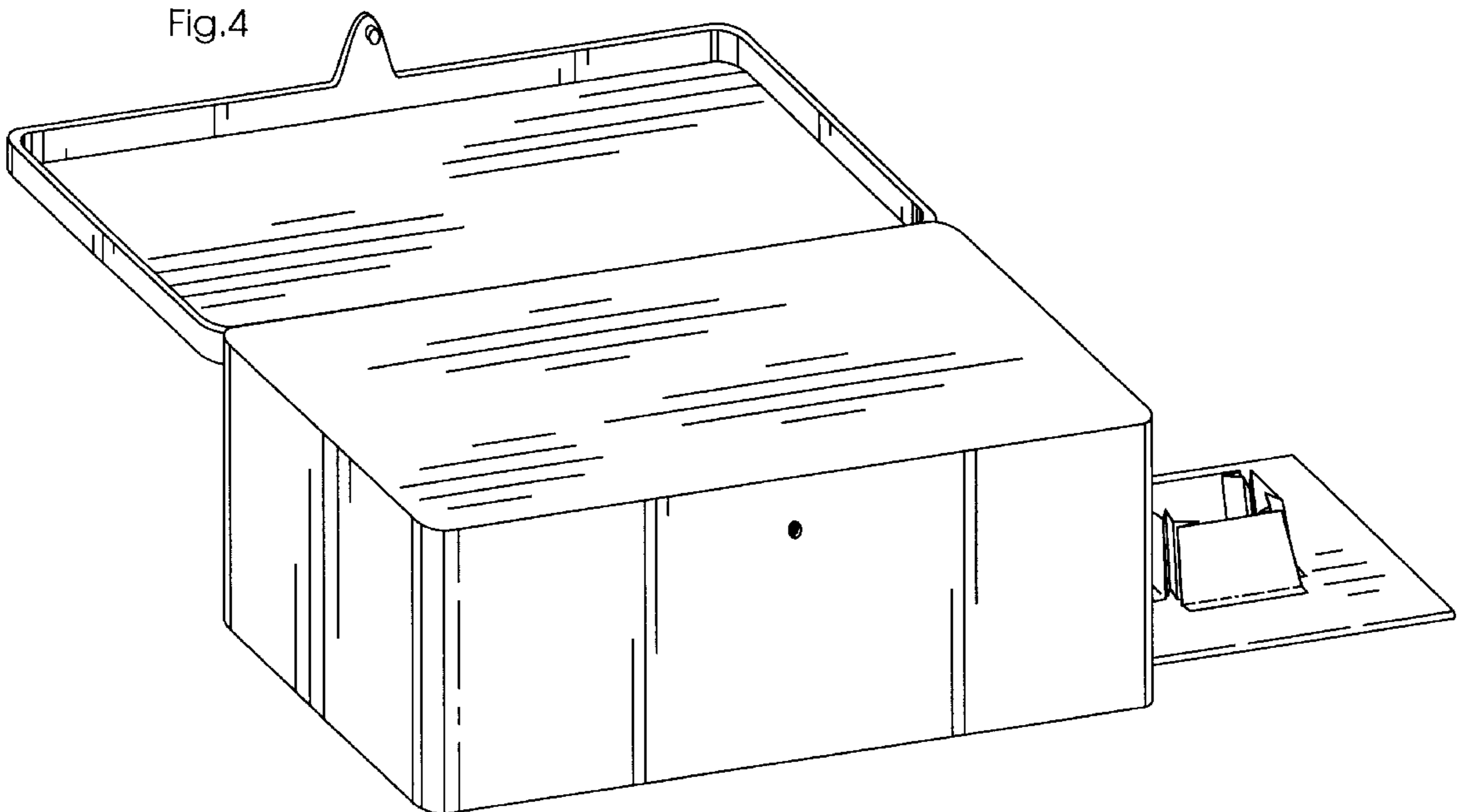


Fig.5

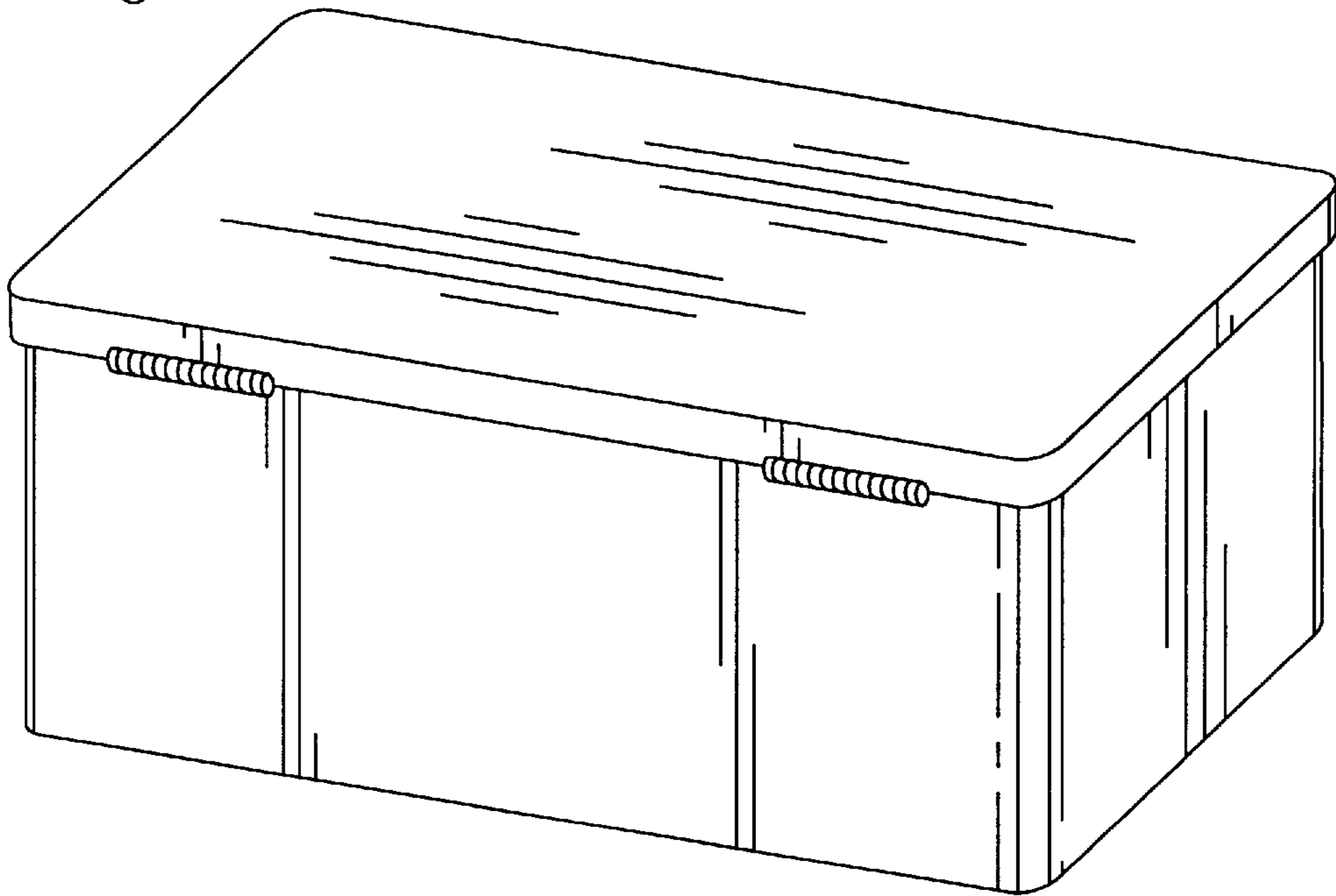


Fig.6

