



US00D403882S

United States Patent [19]

Burnham, III et al.

[11] Patent Number: **Des. 403,882**

[45] Date of Patent: ****Jan. 12, 1999**

[54] **WORK STATION**

[75] Inventors: **Carl H. Burnham, III; Andrew G. Ferguson**, both of Portland, Oreg.

[73] Assignee: **Business Ergonomics, Inc.**, Portland, Oreg.

[**] Term: **14 Years**

[21] Appl. No.: **68,554**

[22] Filed: **Mar. 24, 1997**

[51] **LOC (6) Cl.** **06-04**

[52] **U.S. Cl.** **D6/420; D6/428**

[58] **Field of Search** D6/422-428, 419, D6/420, 421, 484; 312/194-196; 108/50, 60

[56] **References Cited**

U.S. PATENT DOCUMENTS

- D. 30,011 1/1899 Roberts D6/419 X
- D. 67,394 5/1925 Cornwell D6/419 X
- D. 215,943 11/1969 Grainer D6/420

- D. 231,786 6/1974 Burnley D6/484 X
- D. 234,559 3/1975 Waitzman D6/428
- D. 235,293 6/1975 Waitzman D6/484
- D. 293,634 1/1988 Rattner D6/420
- D. 321,293 11/1991 Kucsak D6/419
- D. 392,474 3/1998 Frasketi D6/419

Primary Examiner—Carmen H. Vales-Lado
Attorney, Agent, or Firm—Kolisch Hartwell Dickinson McCormack & Heuser

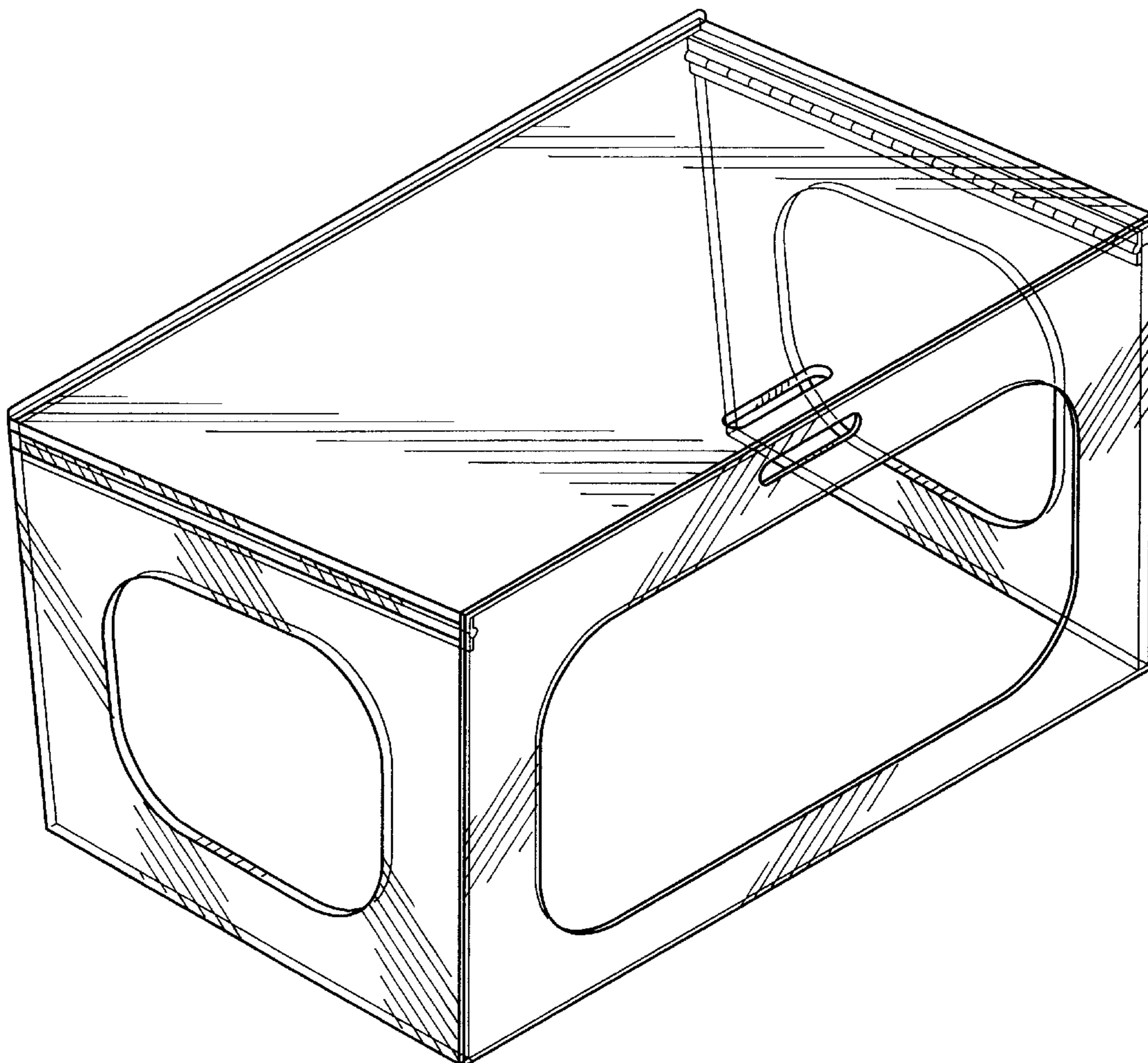
[57] **CLAIM**

The ornamental design for a work station, as shown and described.

DESCRIPTION

FIG. 1 is a perspective view of a work station showing our new design;
FIG. 2 is a left side elevational view, the right side being a mirror image thereof;
FIG. 3 is a front elevational view thereof;
FIG. 4 is a rear elevational view thereof;
FIG. 5 is a top plan view thereof; and,
FIG. 6 is a bottom plan view thereof.

1 Claim, 3 Drawing Sheets



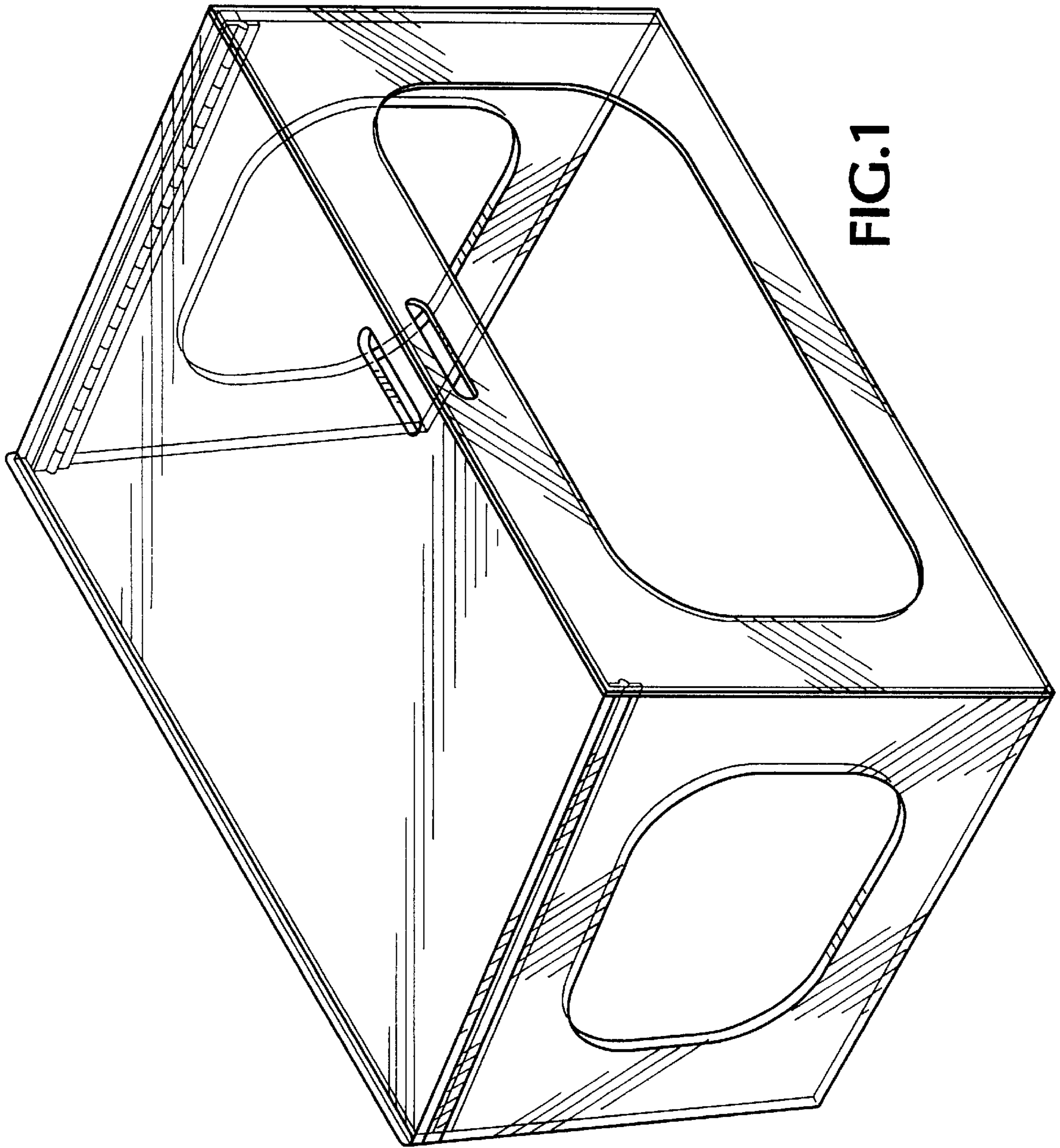


FIG.1

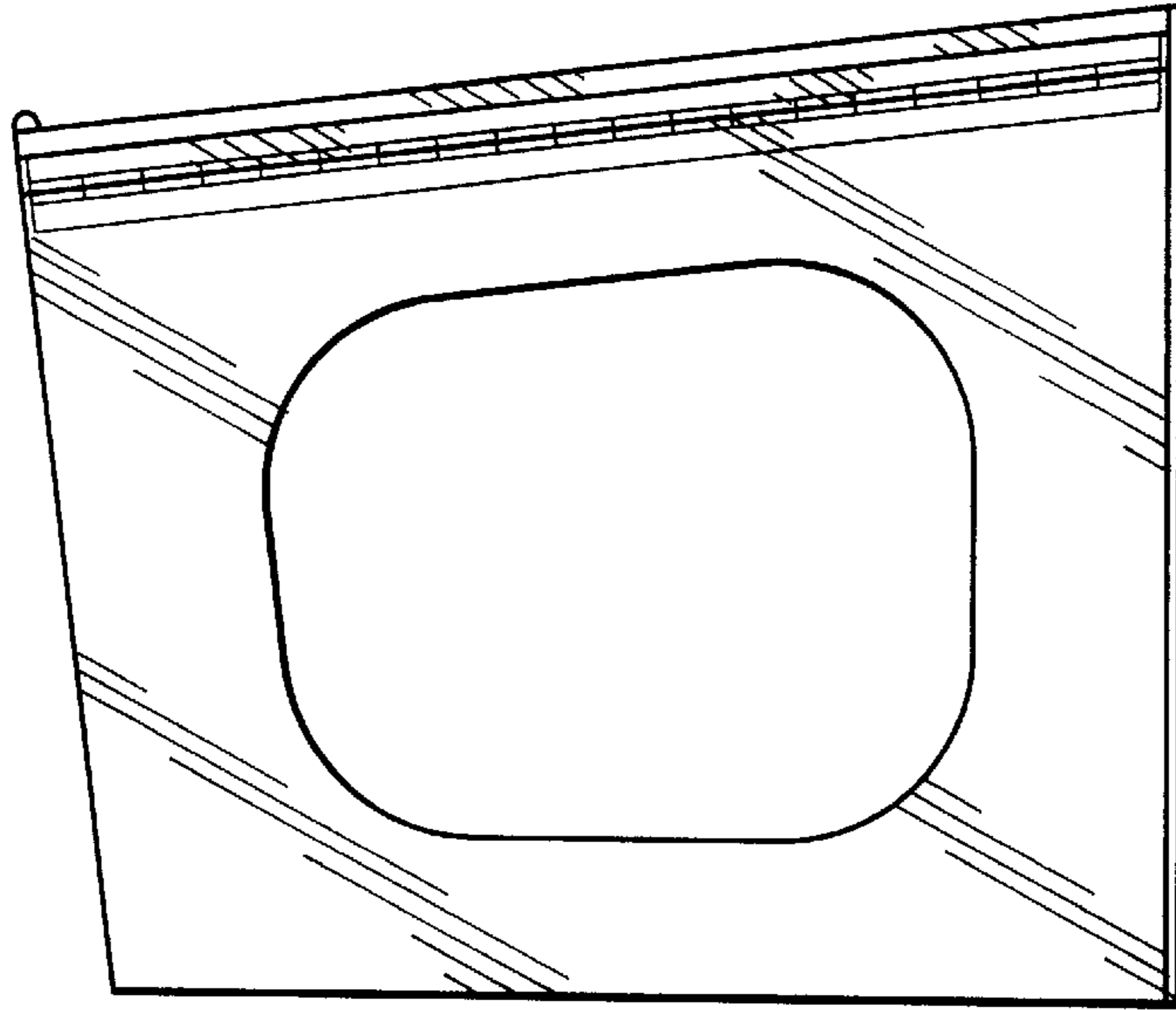


FIG. 2

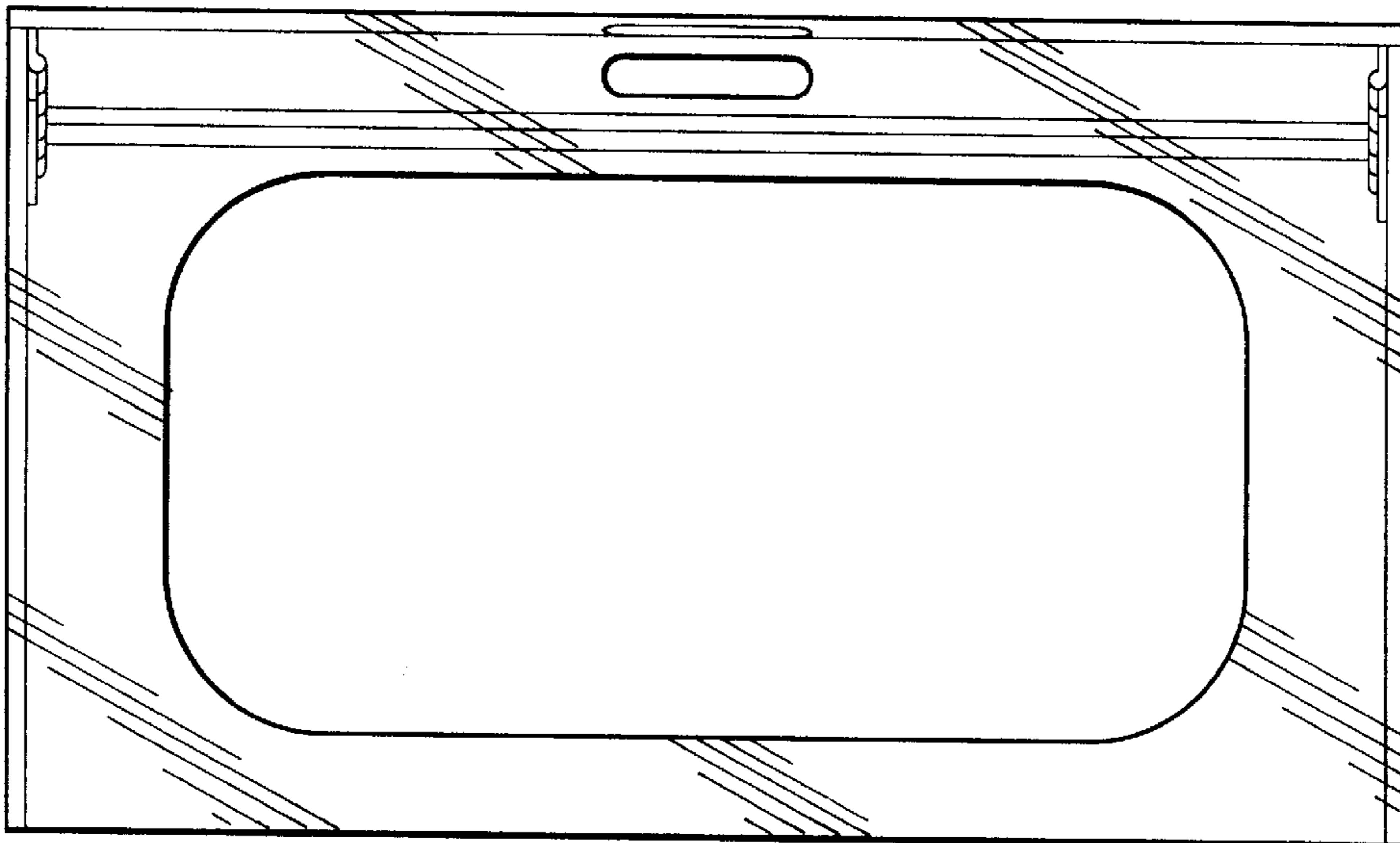


FIG. 3

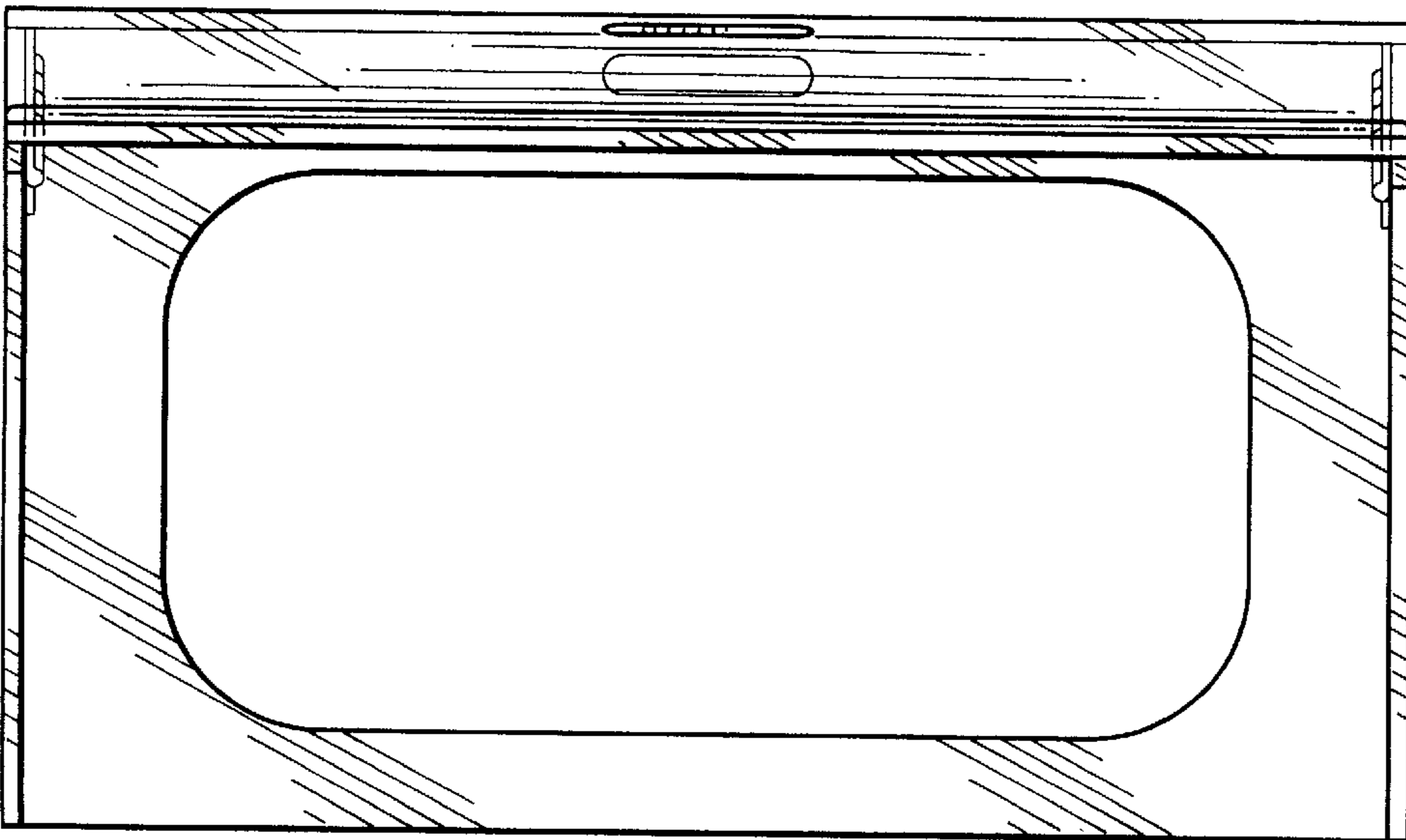


FIG. 4

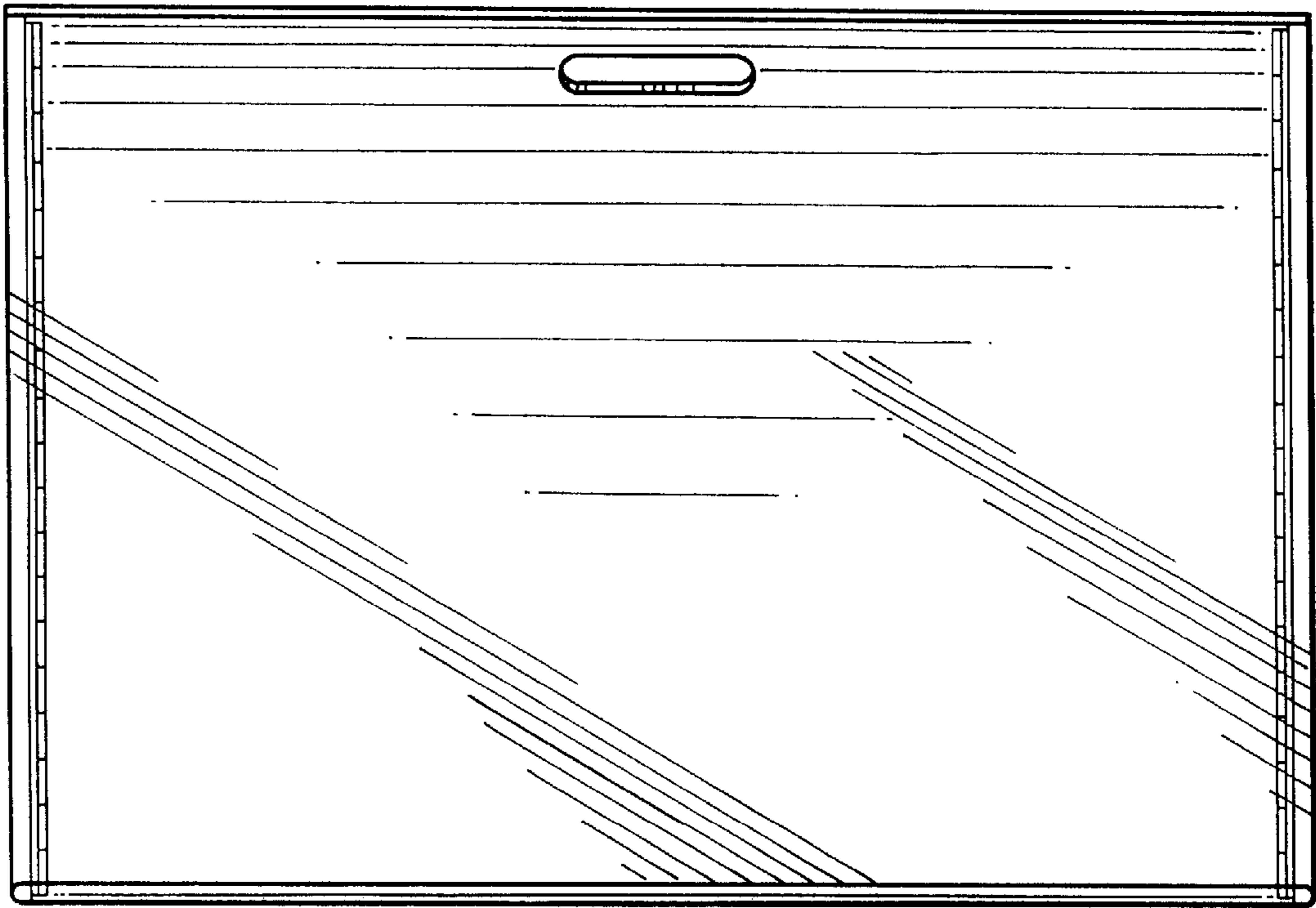


FIG. 5

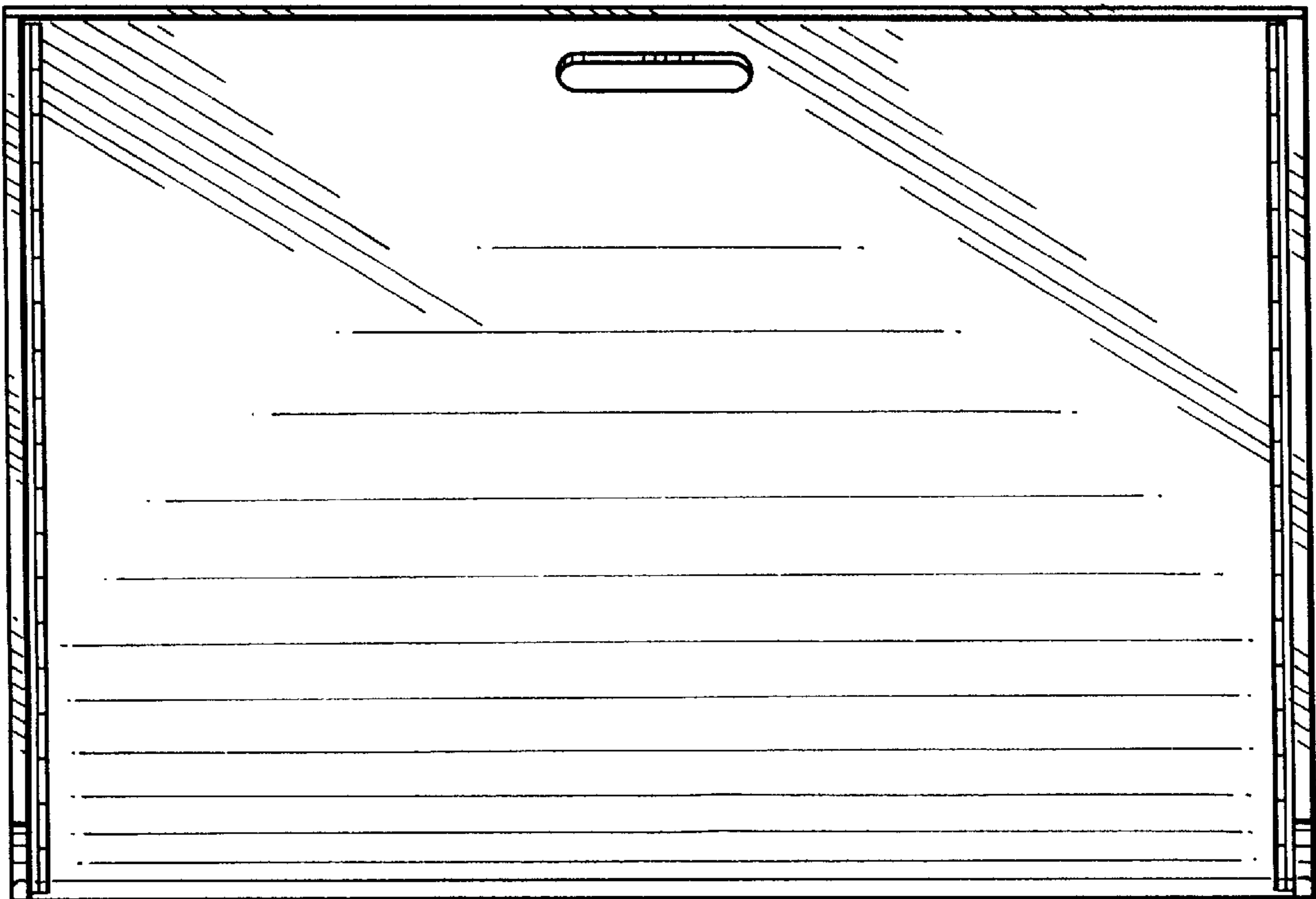


FIG. 6