



US00D403863S

United States Patent [19] Briganti

[11] **Patent Number: Des. 403,863**

[45] **Date of Patent: **Jan. 12, 1999**

[54] **REMOVABLE ORGANIZER LINER FOR HANDBAG**

4,112,991 9/1978 Barbaresi 150/104
4,263,951 4/1981 Siegel 150/35
5,009,319 4/1991 Jantzen 206/544

[75] Inventor: **Suzan Briganti**, San Francisco, Calif.

[73] Assignee: **Suzan Briganti, Inc.**, San Francisco, Calif.

[**] Term: **14 Years**

Primary Examiner—Louis S. Zarfaz
Assistant Examiner—Monica A. Weingart
Attorney, Agent, or Firm—Medlen & Carroll, LLP

[21] Appl. No.: **79,624**

[22] Filed: **Dec. 8, 1997**

[51] **LOC (6) Cl.** **03-99**

[52] **U.S. Cl.** **D3/318; D3/232; D3/245**

[58] **Field of Search** D3/232, 233, 245,
D3/303, 318; 150/103, 104, 105, 107, 109,
110, 111, 112, 113, 117; 190/109, 110;
D9/305

[57] **CLAIM**

I claim the ornamental design for a removable organizer liner for handbag, as shown and described.

DESCRIPTION

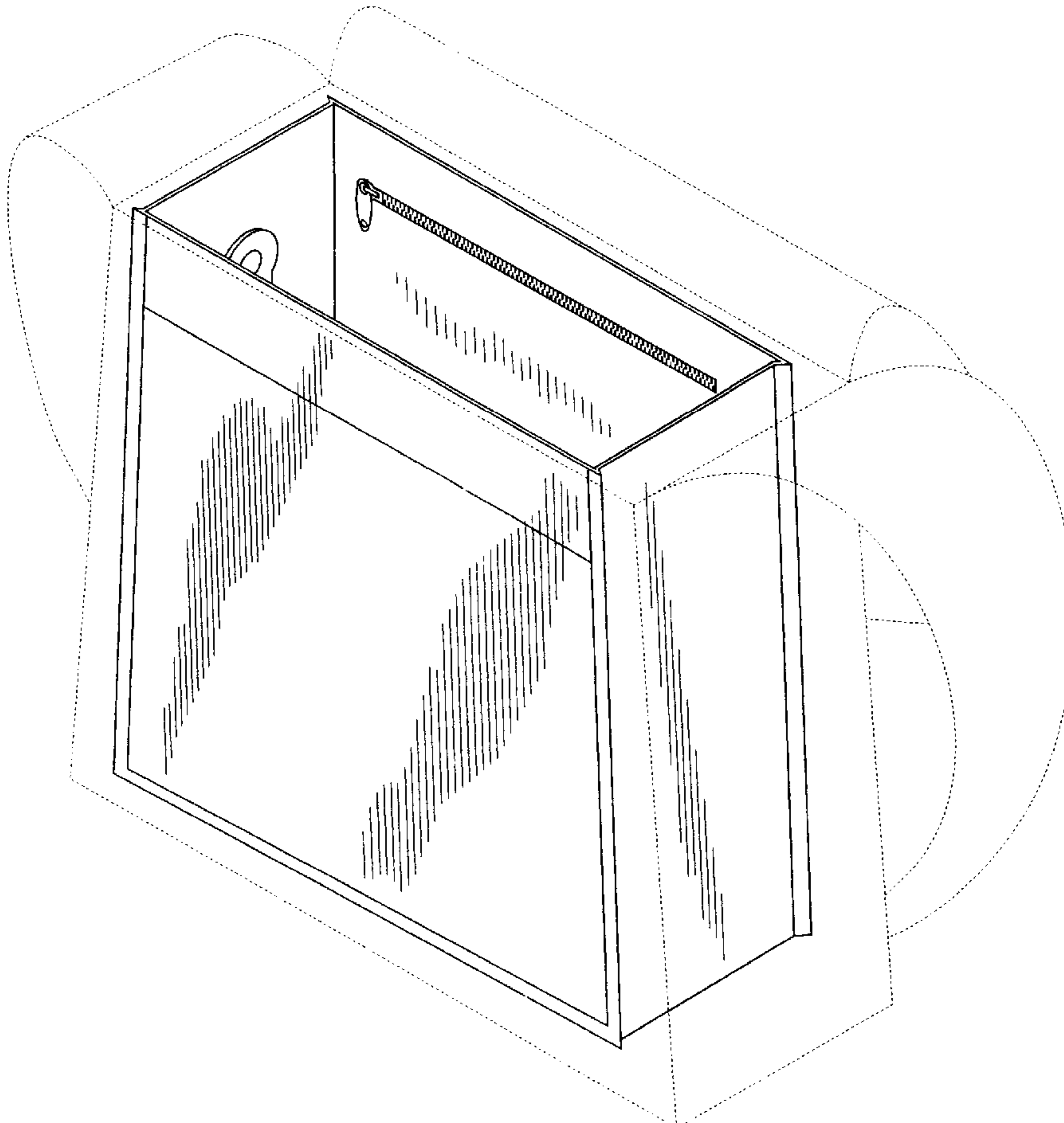
FIG. 1 is a perspective view of a removable organizer liner for handbag showing my new design, shown in its environmental use;
FIG. 2 is a top plan view thereof;
FIG. 3 is a front perspective view thereof;
FIG. 4 is a front plan view thereof, the rear plan view being an identical image thereof;
FIG. 5 is a left side plan view thereof, the right side plan view being an identical image thereof;
FIG. 6 is a bottom plan view thereof;
FIG. 7 is a cutaway, front perspective view thereof; and,
FIG. 8 is a cutaway, rear perspective view thereof.
The broken line showing of a handbag is for illustrative purpose only and forms no part of the claim.

[56] **References Cited**

U.S. PATENT DOCUMENTS

D. 164,621	9/1951	Bienen	150/104
2,694,427	11/1954	Hovis	150/105
2,911,024	11/1959	Miceli	150/113
3,347,299	10/1967	Alexander	150/113
3,533,459	10/1970	Ody	150/113
3,963,102	6/1976	Carp	150/113

1 Claim, 5 Drawing Sheets



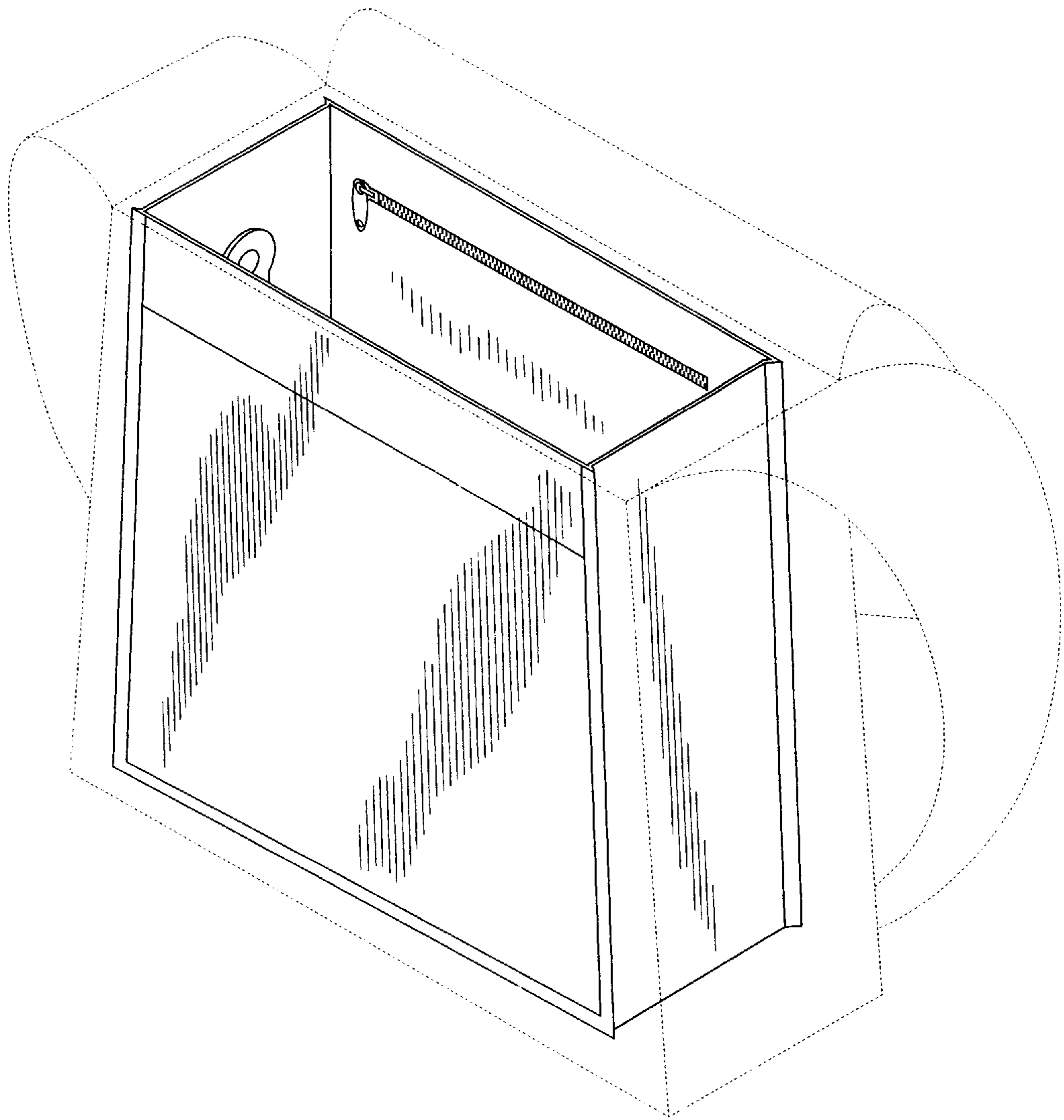


FIG. 1

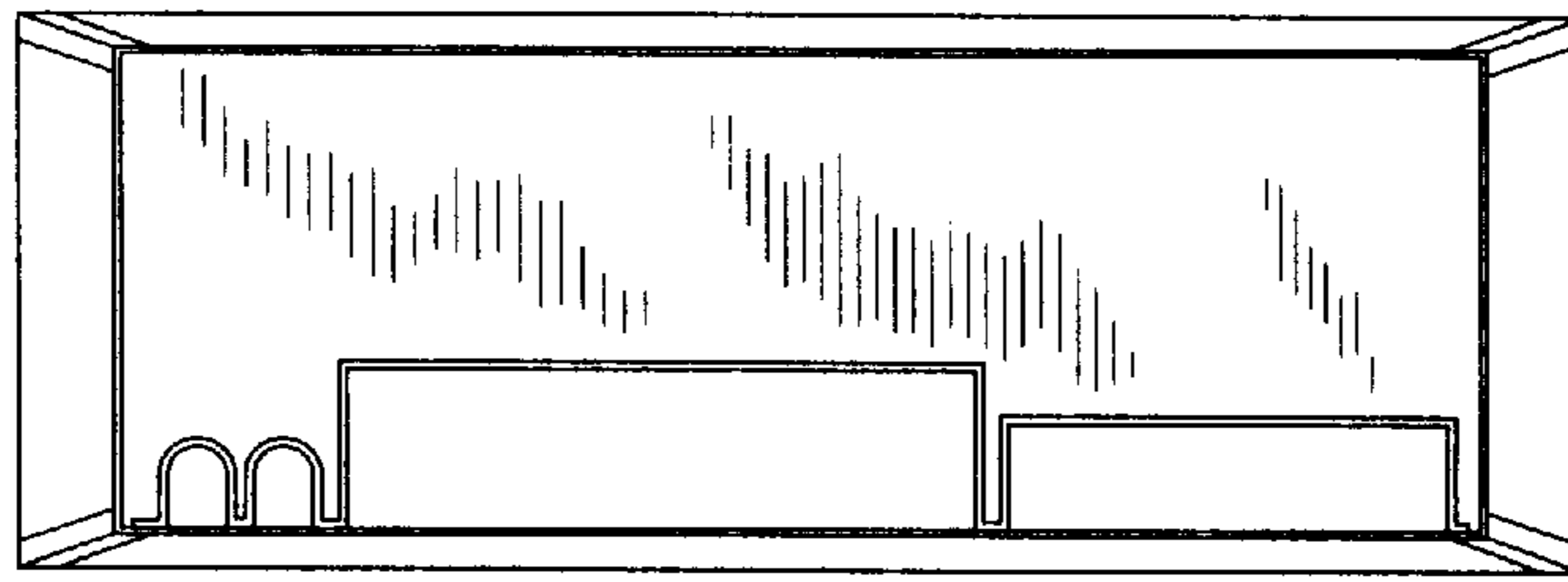


FIG. 2

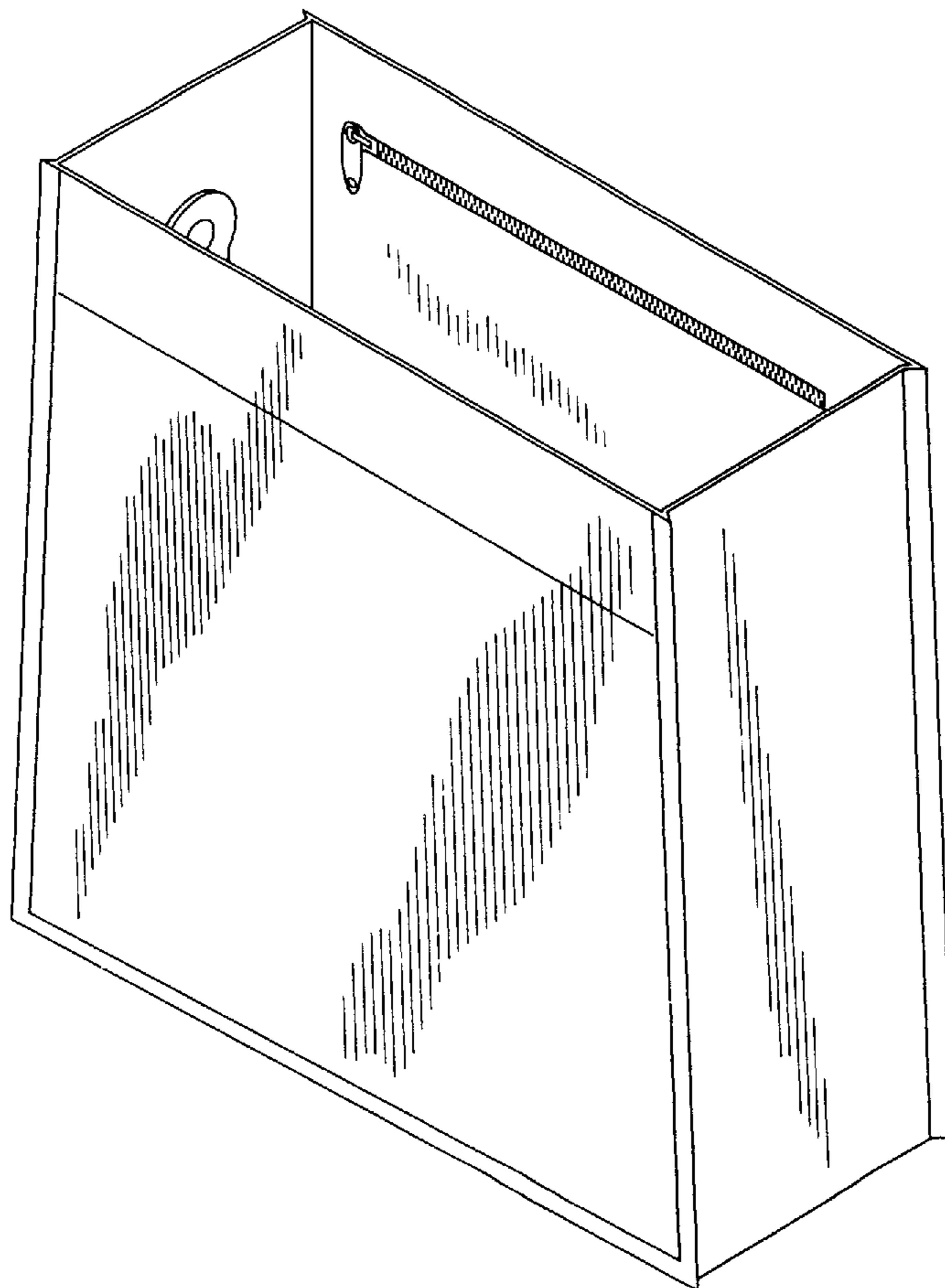


FIG. 3

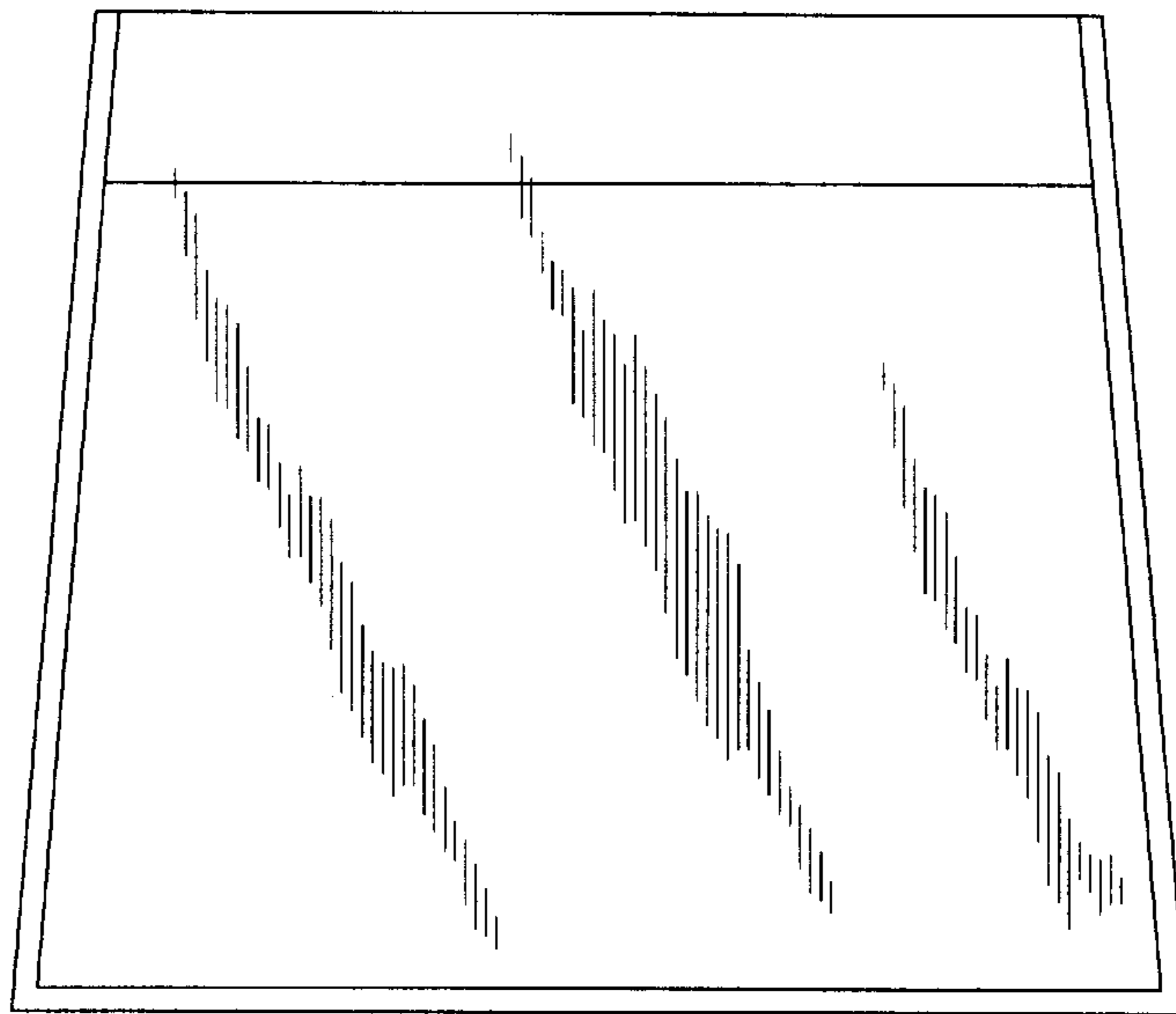


FIG. 4

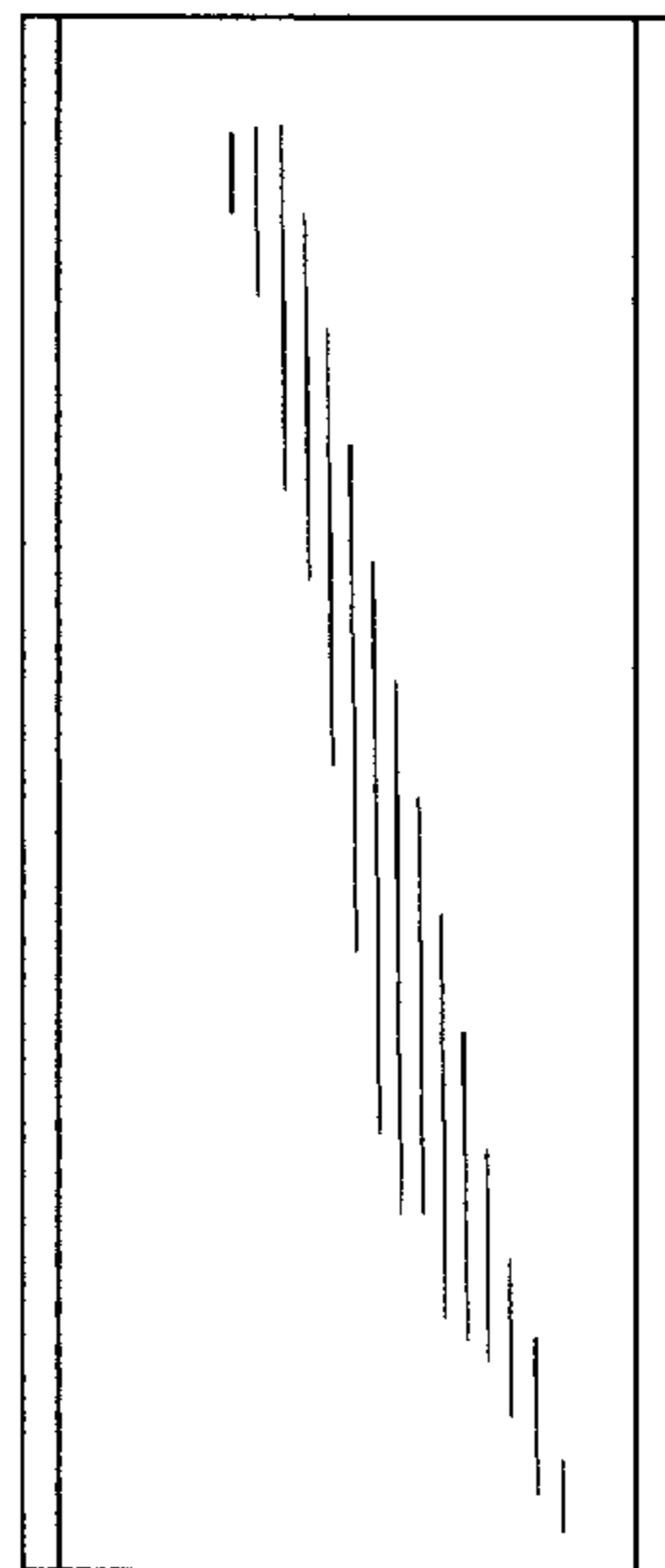


FIG. 5

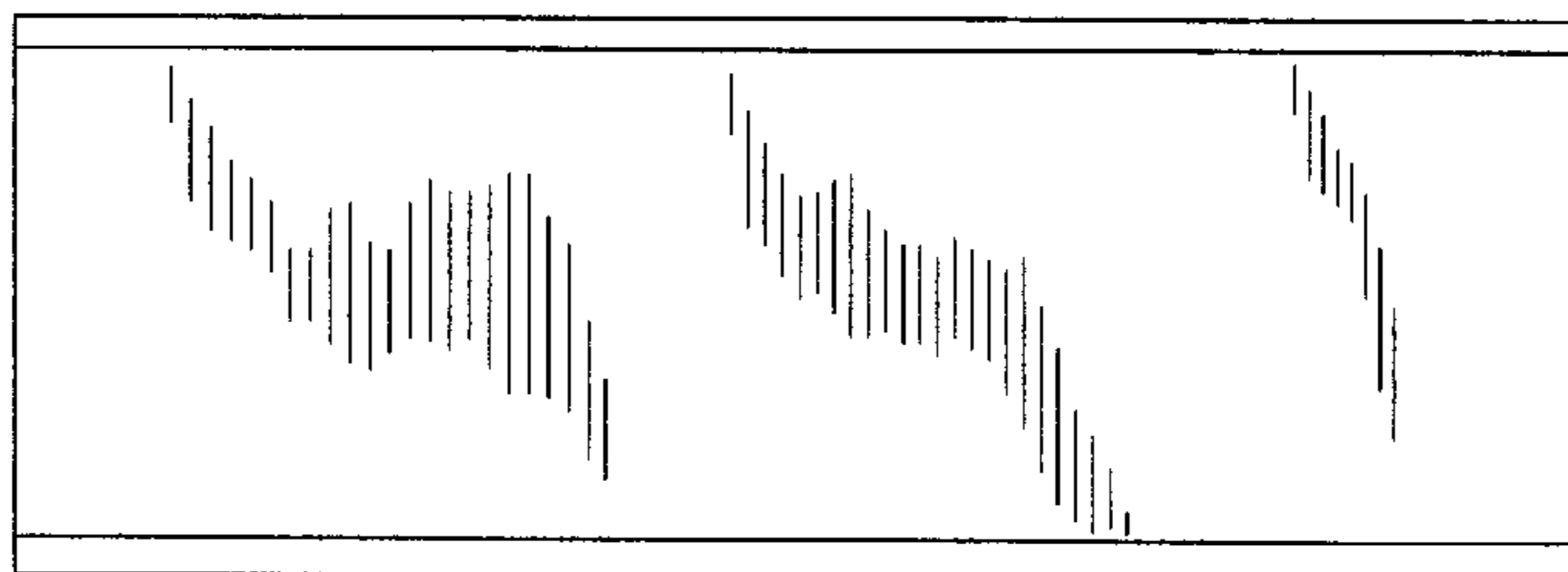


FIG. 6

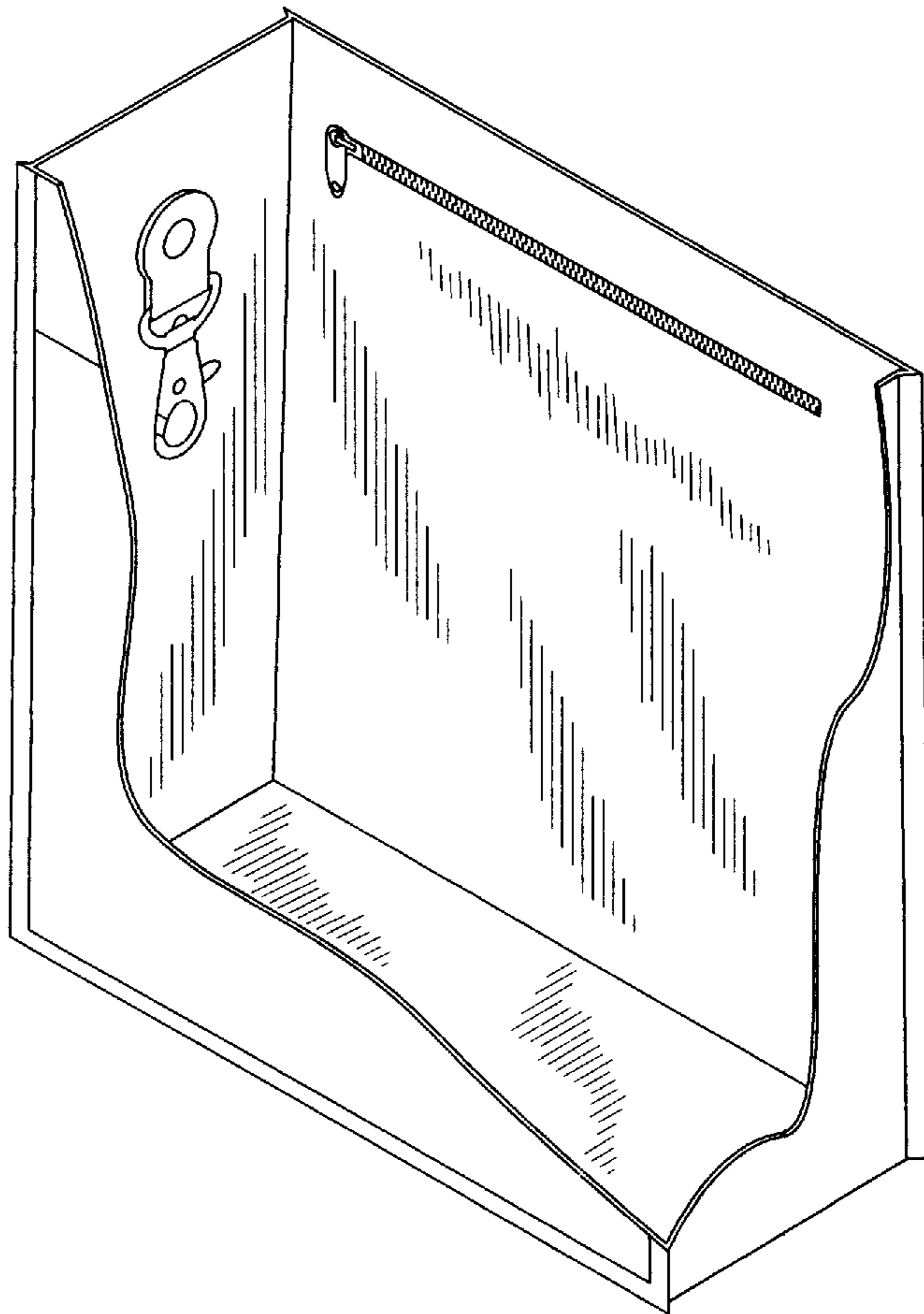


FIG. 7

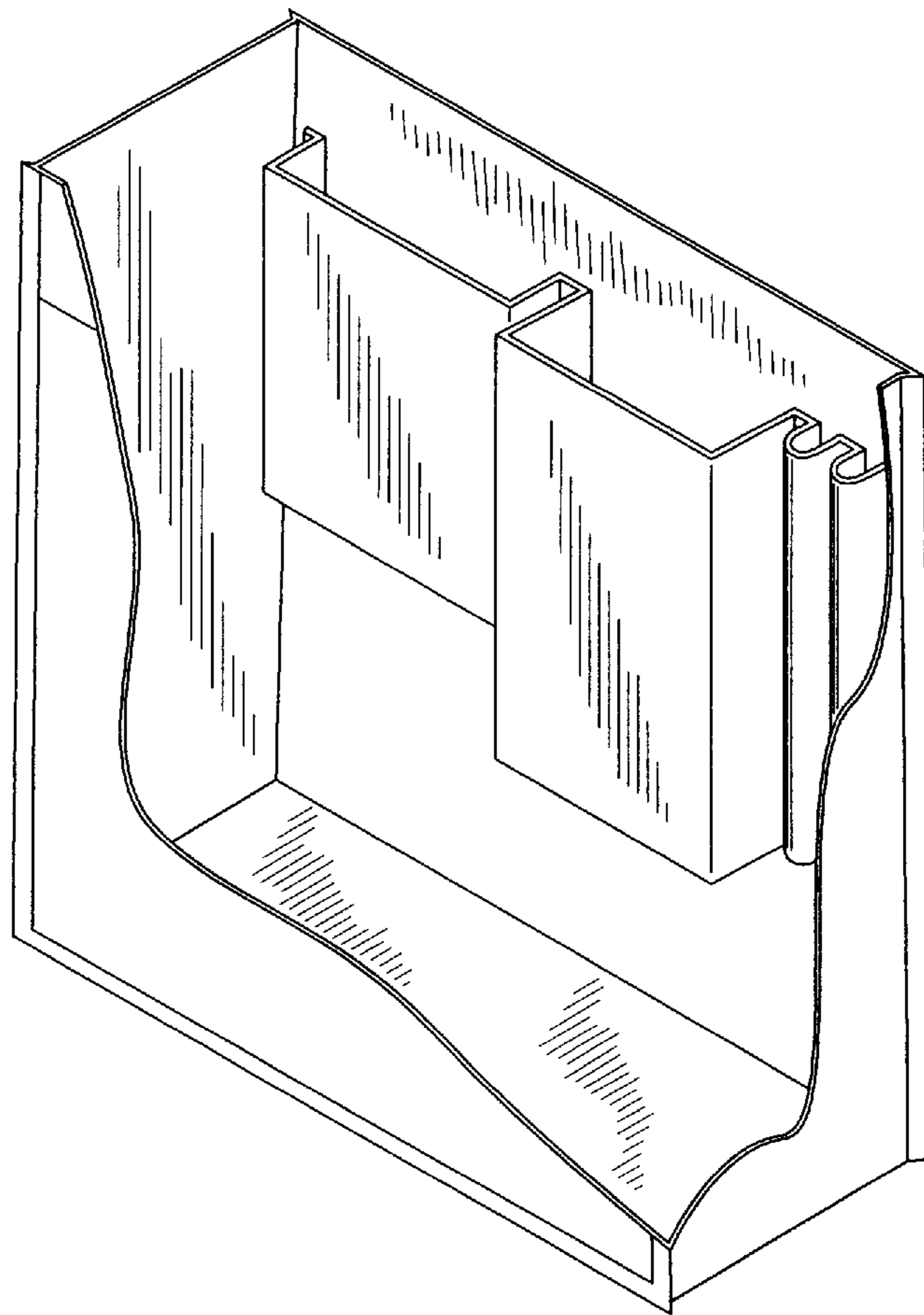


FIG. 8