



US00D403862S

United States Patent [19]

Jones

[11] **Patent Number: Des. 403,862**

[45] **Date of Patent: **Jan. 12, 1999**

[54] **COAT HANGER HOLDER**

D. 385,785 11/1997 Correll D9/430
3,764,019 10/1973 Creamer 211/49.1

[76] Inventor: **Steven L. Jones**, 1701 Hunter Ridge Dr., Springfield, Ill. 62704

Primary Examiner—Ted Shooman
Assistant Examiner—Richelle Shelton
Attorney, Agent, or Firm—Philip L. Bateman

[**] Term: **14 Years**

[21] Appl. No.: **79,944**

[57] **CLAIM**

[22] Filed: **Nov. 17, 1997**

The ornamental design for a coat hanger holder, as shown and described.

[51] **LOC (6) Cl.** **03-01**

DESCRIPTION

[52] **U.S. Cl.** **D3/304**; D9/430; 206/300

[58] **Field of Search** D3/304, 307-314,
D3/328; D9/424, 425, 430; 206/300, 348,
562, 563, 822; 211/49.1

FIG. 1 is a front, left side, and top perspective view of a coat hanger holder showing my new design;
FIG. 2 is a top plan view thereof;
FIG. 3 is a front elevation view thereof;
FIG. 4 is a right side elevation view thereof;
FIG. 5 is a rear elevation view thereof; and,
FIG. 6 is a bottom plan view thereof.

[56] **References Cited**

U.S. PATENT DOCUMENTS

D. 304,638 11/1989 Ireland D3/304
D. 382,402 8/1997 Pawuk et al. D3/304

1 Claim, 2 Drawing Sheets

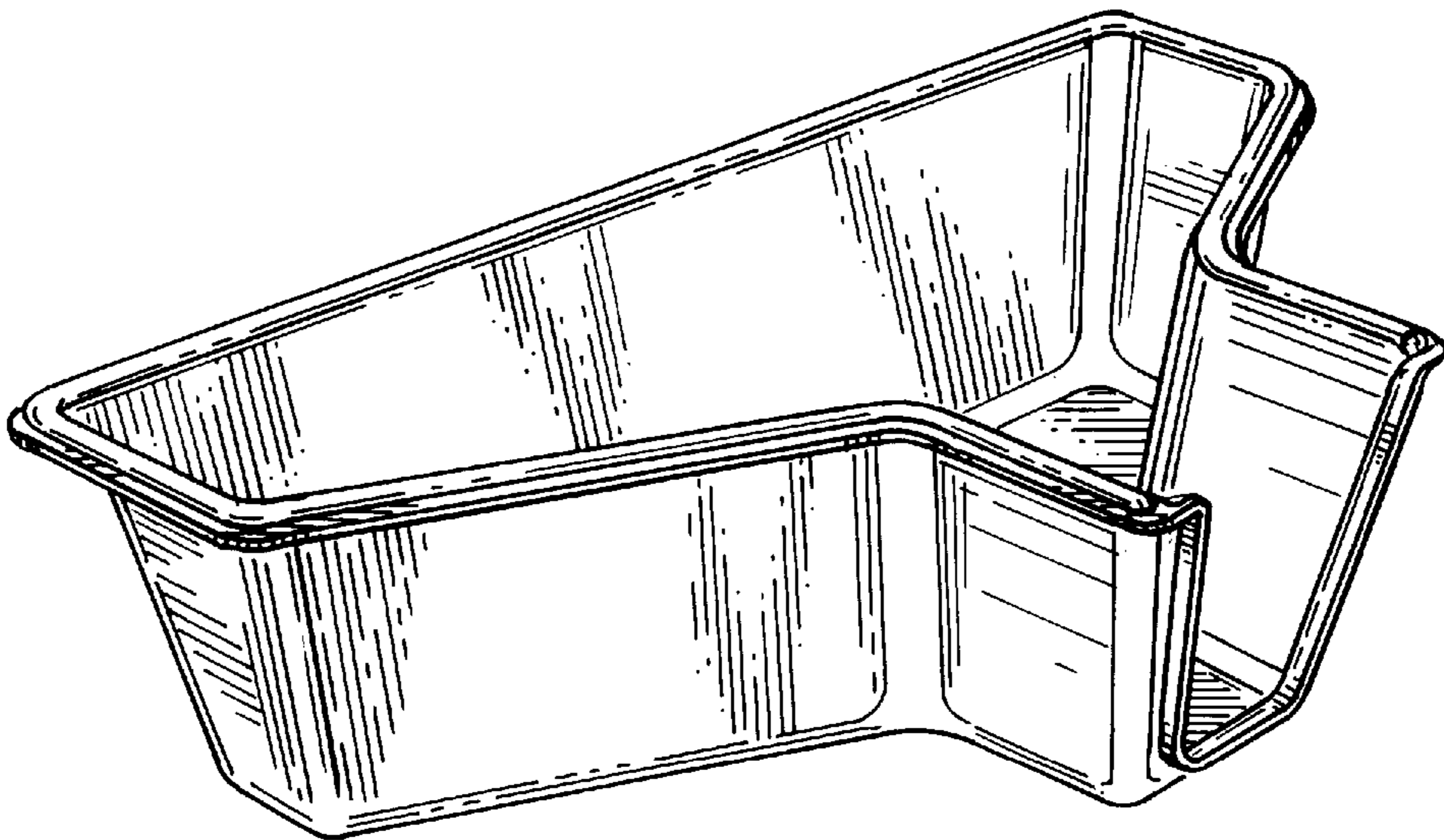


FIG. 1

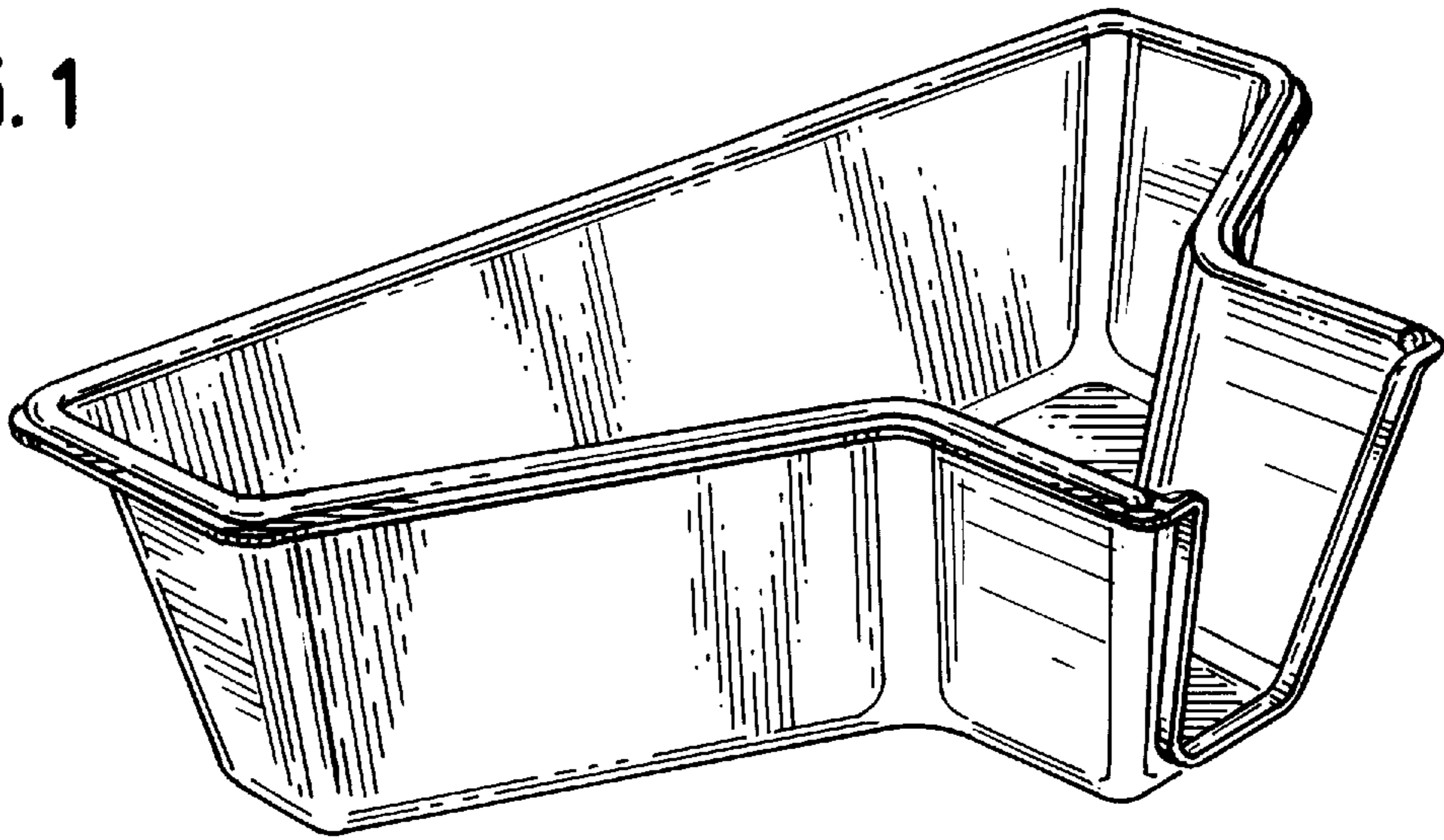


FIG. 2

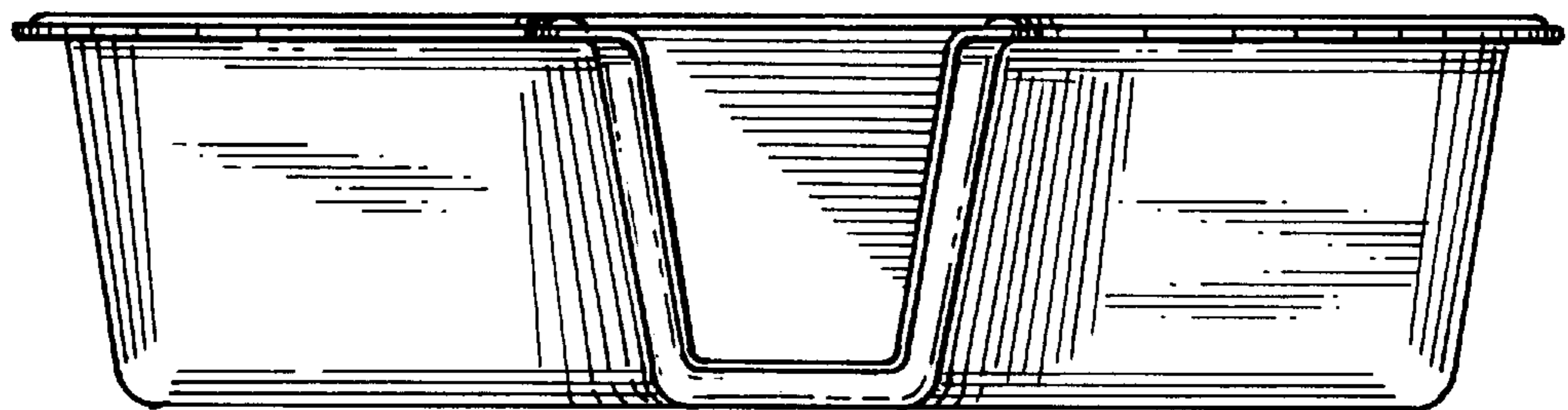
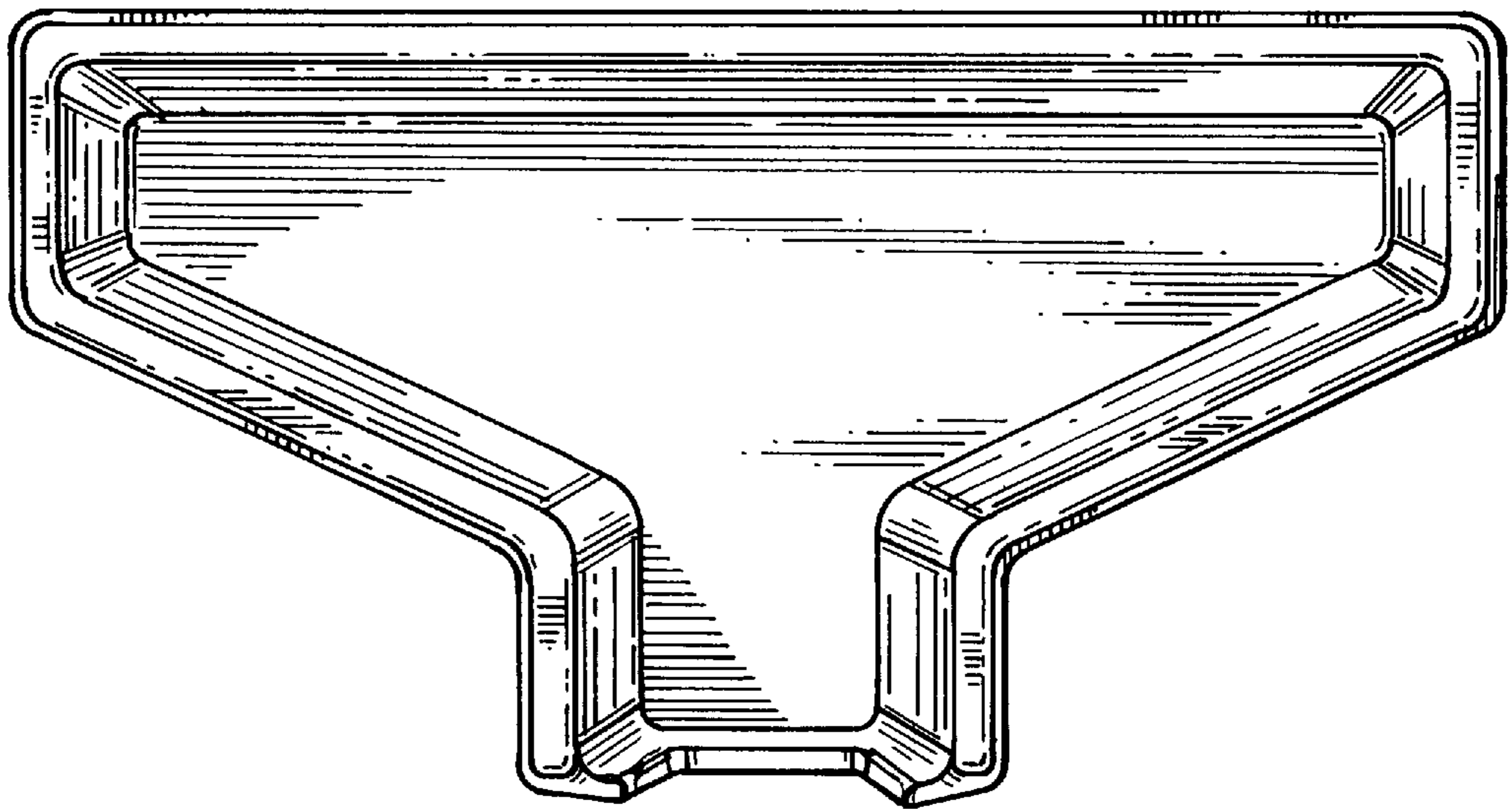


FIG. 3

FIG. 4

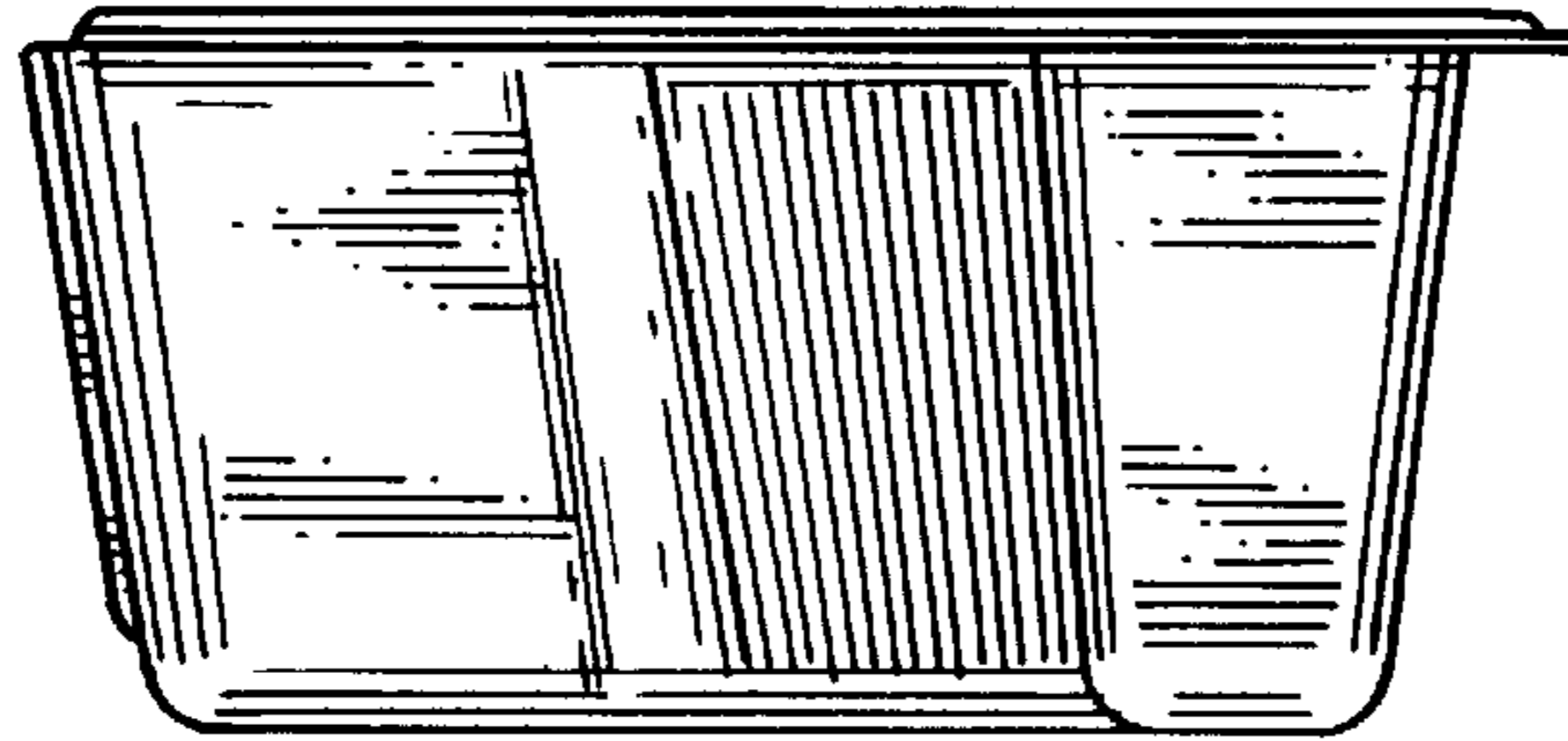


FIG. 5

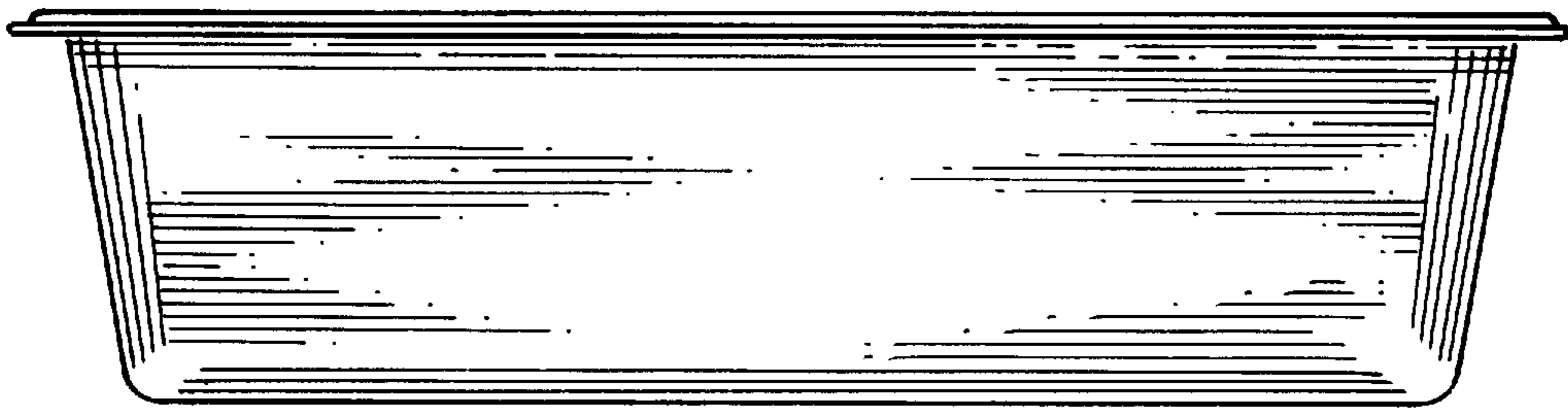


FIG. 6

