



US00D403860S

United States Patent [19]

[11] **Patent Number: Des. 403,860**

Ritchie et al.

[45] **Date of Patent: **Jan. 12, 1999**

[54] **PORTABLE CONTAINER FOR SOCKETS**

[75] Inventors: **Fred Philip Ritchie; David Allen Trower**, both of Waterloo, Iowa

[73] Assignee: **Waterloo Industries, Inc.**, Waterloo, Iowa

[**] Term: **14 Years**

[21] Appl. No.: **74,679**

[22] Filed: **Jun. 27, 1997**

[51] **LOC (6) Cl. 03-01**

[52] **U.S. Cl. D3/282; D3/905**

[58] **Field of Search D3/273, 276, 281, D3/282, 283, 295, 905; 206/373, 372, 378, 349; 312/24, DIG. 33**

[56] **References Cited**

U.S. PATENT DOCUMENTS

D. 250,433	11/1978	Malcolm .	
D. 314,665	2/1991	Wu et al.	D3/282
D. 355,554	2/1995	Phelps	D6/567
D. 358,257	5/1995	Sidabras et al.	D3/282
3,063,551	11/1962	Russell .	
4,337,860	7/1982	Carrigan	206/376
4,711,353	12/1987	Rozmestor	206/378
4,756,412	7/1988	Graves et al. .	
4,927,020	5/1990	Randy	206/378
4,941,570	7/1990	Kruger et al.	206/267
5,050,733	9/1991	Brennan	206/373
5,071,004	12/1991	Rivera	2069/373
5,080,230	1/1992	Winnard	206/350
5,139,144	8/1992	Robert, Jr.	206/378
5,228,570	7/1993	Robinson	206/378
5,344,012	9/1994	Matthews	206/372
5,398,823	3/1995	Anders	211/70.6
5,467,874	11/1995	Whitaker	206/378
5,500,631	3/1996	Negus	335/285
5,511,673	4/1996	Folk	211/70.6
5,560,480	10/1996	Singleton	206/373

OTHER PUBLICATIONS

Sears Power and Tool Catalog, p. 43, undated.
Snap-On Tool Catalog, p. 37, undated.
Mac Tool Catalog, p. 64, undated.

Waterloo Standard Metal Boxes, Waterloo Industries, Inc., undated.

Waterloo Industries Drawer Socket Organizer, undated.

Accessory Review Products, Hand Tool Organization, List of products reviewed at Dec. 8, 1995 meeting.

Sears "The Auto Shop Catalog," Shop Tools & Equipment, undated.

Sporty's Tool Shop Catalog (Christmas 1996 issue).

TEDA Tool Catalog, undated.

Waterloo Industries Inc. Tote Tray 20" drawing No. 265200, dated Oct. 19, 1987.

Waterloo Industries Inc. 103 Piece Socket Organizer drawing No. 713401, date Sep. 18, 1991.

Waterloo Industries Inc. 3/8" Socket Tray drawing No. 713502, dated Feb. 5, 1993.

Waterloo Industries Inc. 1/4" Socket Rack drawing No. 7135-05, dated Apr. 7, 1983.

Waterloo Industries Inc. 3/8" Socket Tray drawing No. 380550, dated Apr. 18, 1991.

Primary Examiner—Philip S. Hyder
Attorney, Agent, or Firm—Banner & Witcoff Ltd.

[57] **CLAIM**

The ornamental design for a portable container for sockets, as shown herein.

DESCRIPTION

FIG. 1 is an isometric view of the top of the portable contain for sockets of the invention;

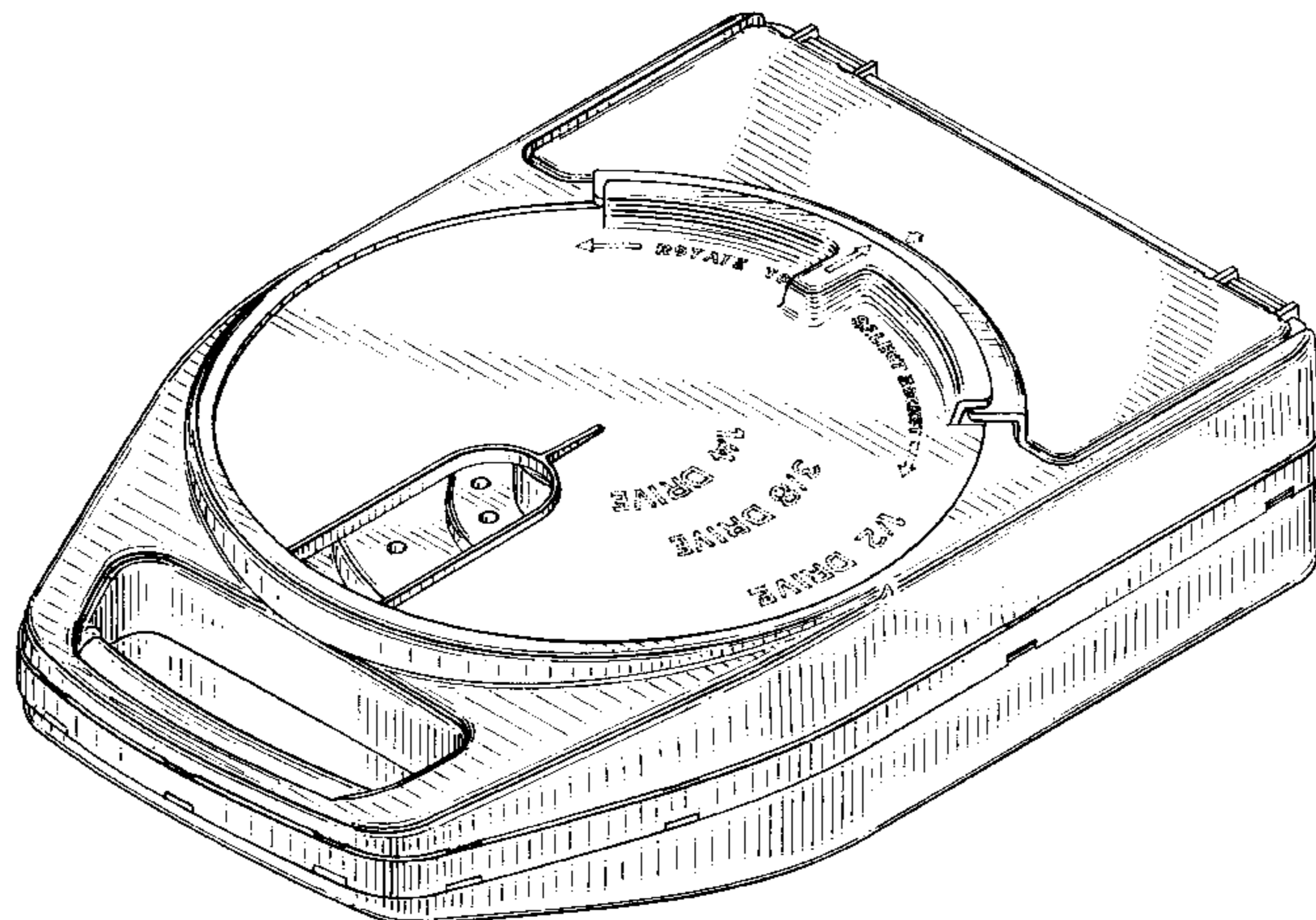
FIG. 2 is an end view of the handle end of the portable container for sockets;

FIG. 3 is a bottom end view of the portable container for sockets;

FIG. 4 is a top plan view of the portable container for sockets; and,

FIG. 5 is an isometric view of the bottom of the portable container for sockets of the invention.

1 Claim, 5 Drawing Sheets



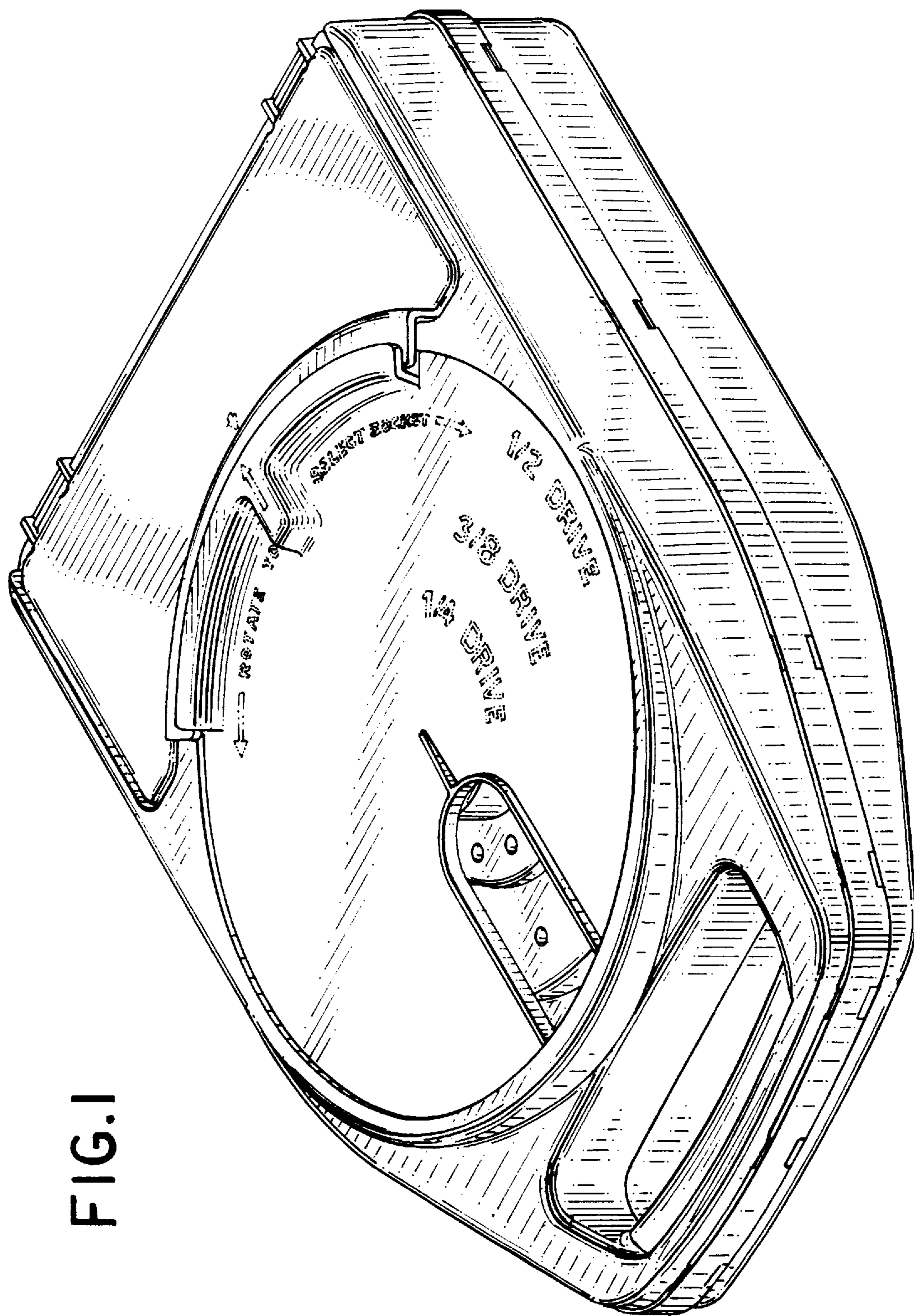


FIG. 1

FIG. 2

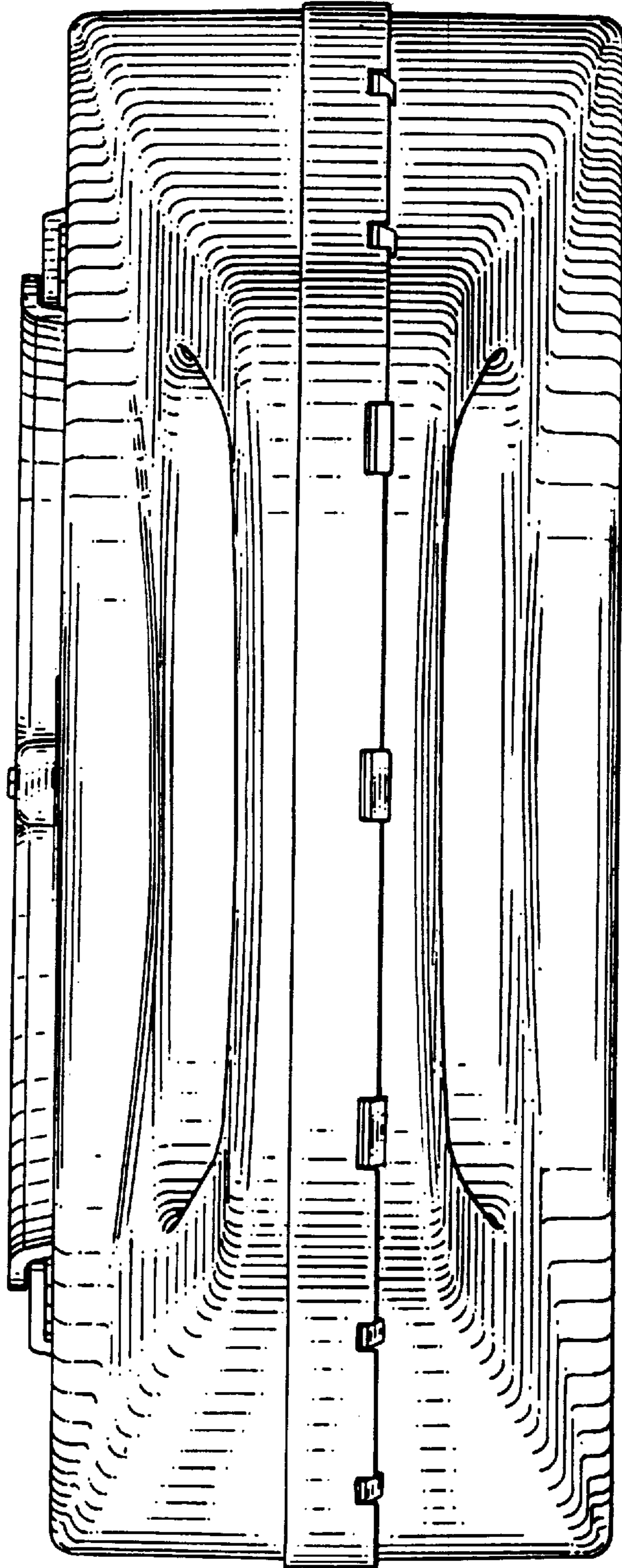


FIG. 3

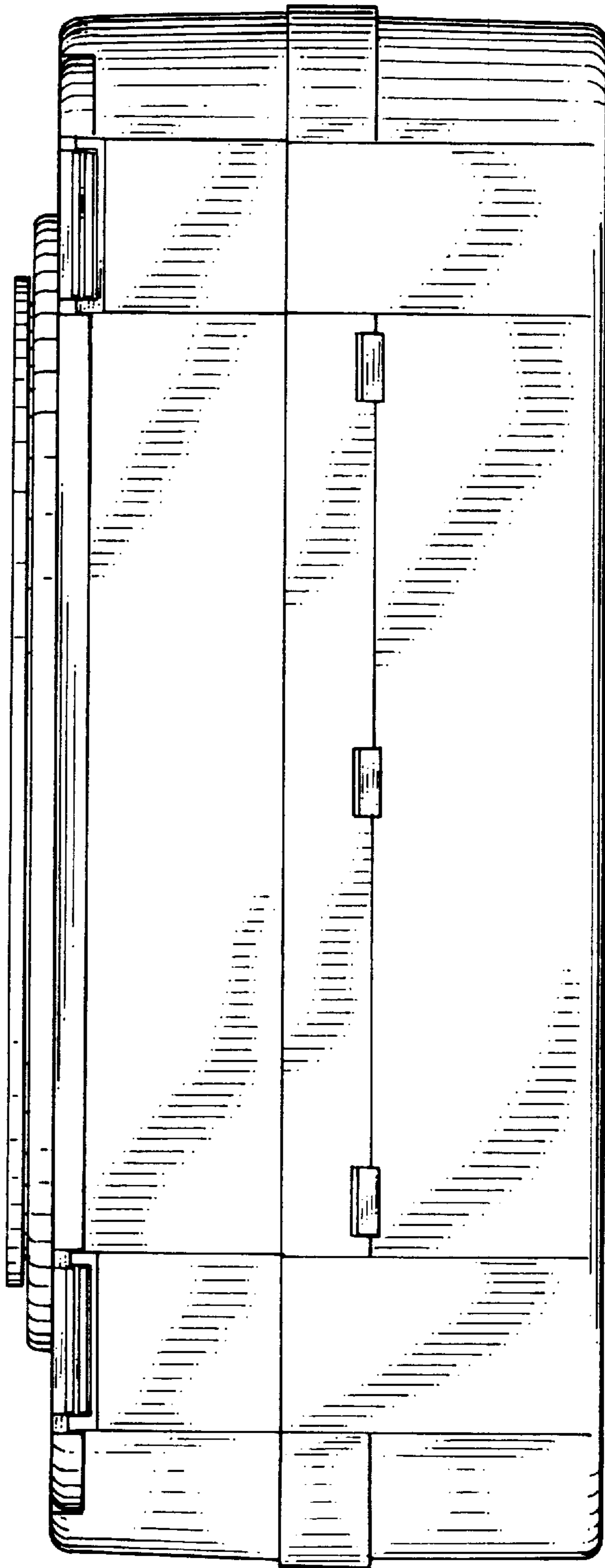
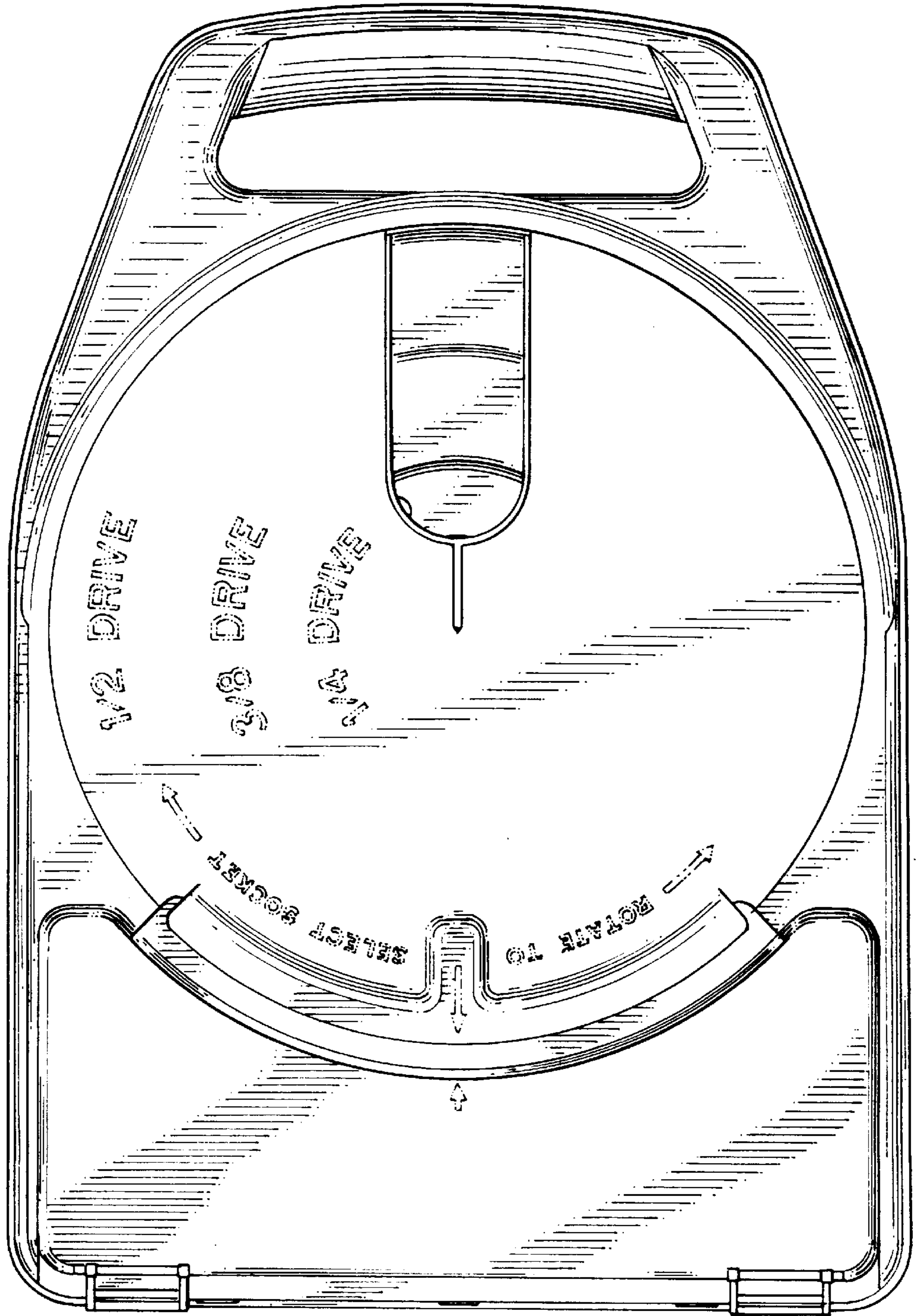


FIG.4



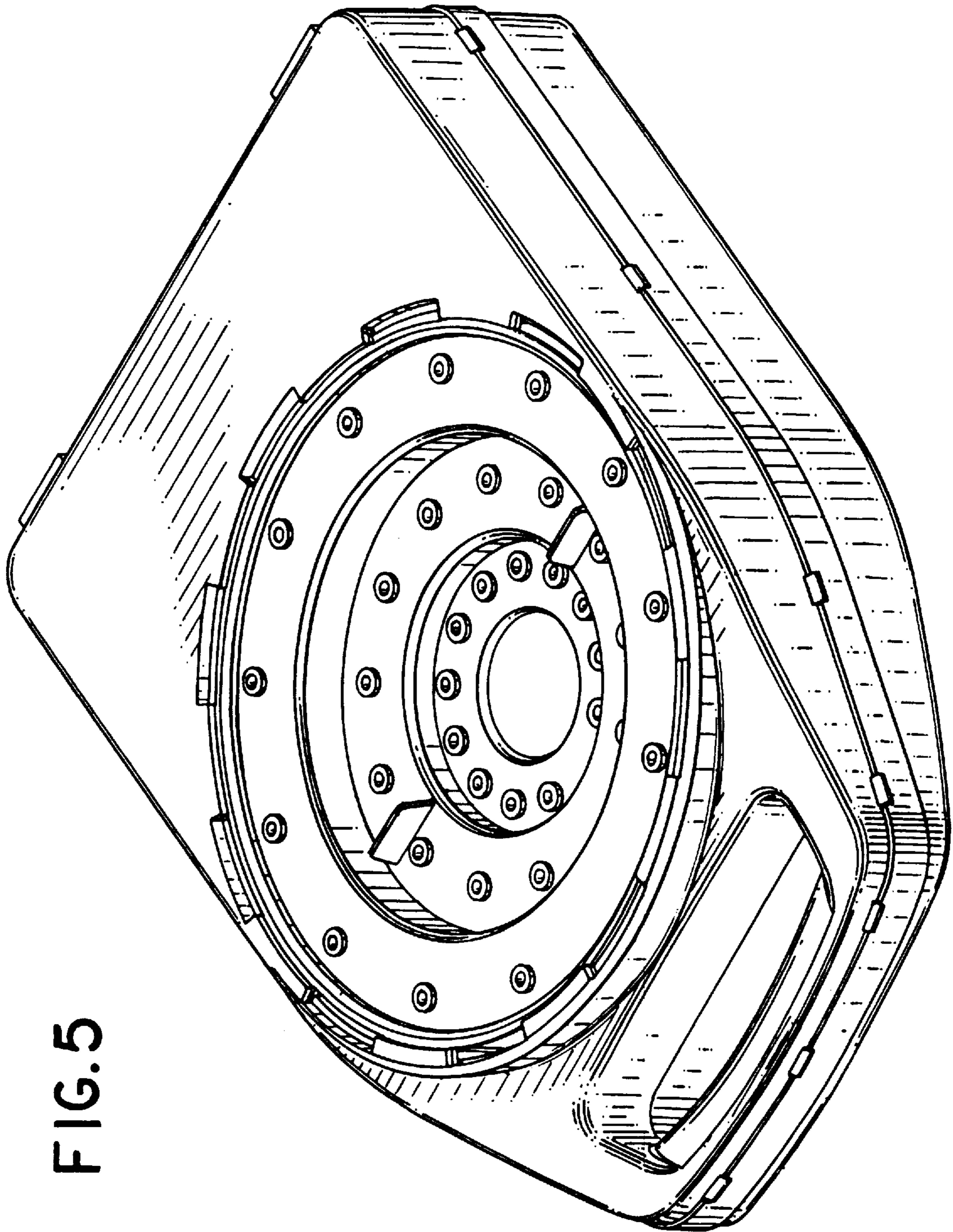


FIG. 5