



US00D403853S

# United States Patent [19]

Lothrop et al.

[11] Patent Number: **Des. 403,853**

[45] Date of Patent: **\*\*Jan. 12, 1999**

[54] **BACKPACK**

[75] Inventors: **Thornton K. Lothrop**, Columbus, Ohio; **D. Scott Miller**, Orlando, Fla.

[73] Assignee: **Dart Industries Inc.**, Orlando, Fla.

[\*\*] Term: **14 Years**

[21] Appl. No.: **77,622**

[22] Filed: **Oct. 7, 1997**

[51] **LOC (6) Cl.** ..... **03-01**

[52] **U.S. Cl.** ..... **D3/216**

[58] **Field of Search** ..... D3/216, 217, 202, D3/214; 224/191, 627, 637, 640, 651, 657, 209; 190/107-111, 903; 206/315.1, 315.7

[56] **References Cited**

**U.S. PATENT DOCUMENTS**

D. 249,188	8/1978	Stewart	.....	D3/217
D. 249,190	8/1978	Stewart	.....	D3/217
D. 375,403	11/1996	Melk	.....	D3/217
D. 390,352	2/1998	Lane	.....	D3/216
3,921,867	11/1975	Farnbach	.....	D3/216 X
3,955,728	5/1976	Jackson et al.	.	
4,513,866	4/1985	Thomas	.	
4,640,392	2/1987	Decker, Jr. et al.	.	

4,884,731	12/1989	Sibley	.	
5,048,734	9/1991	Long	.	
5,209,384	5/1993	Anderson	.....	224/657 X
5,380,067	1/1995	Turvill et al.	.	
5,380,238	1/1995	Crew-Gee	.	
5,505,356	4/1996	Noriega et al.	.	
5,621,952	4/1997	Frano	.	
5,628,443	5/1997	Deutsch	.	

*Primary Examiner*—Prabhakar G. Deshmukh  
*Attorney, Agent, or Firm*—John A. Doninger; Taylor J. Ross

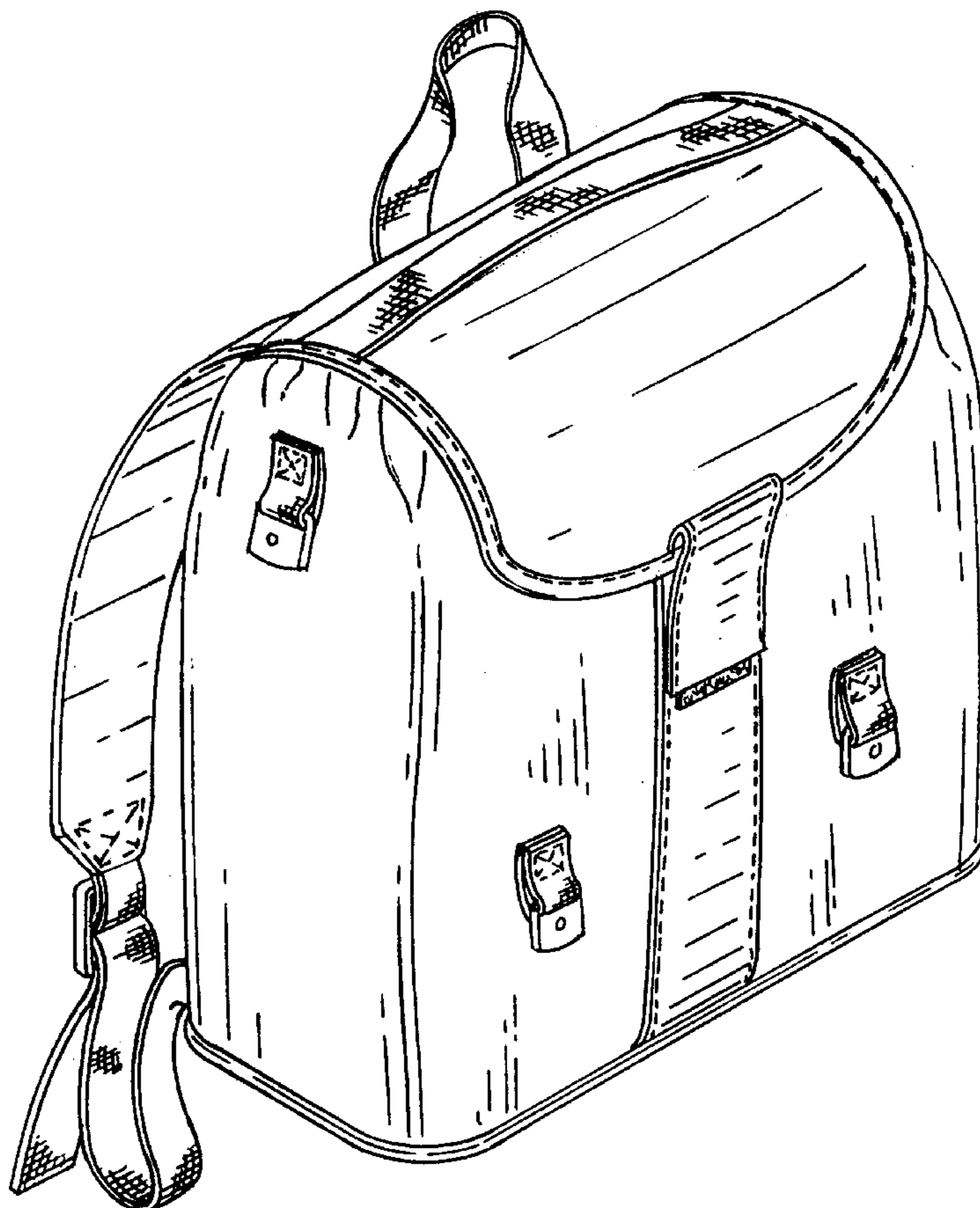
[57] **CLAIM**

The ornamental design for a backpack, as shown and described.

**DESCRIPTION**

FIG. 1 is a top, front and side perspective view of a backpack showing our new design;  
FIG. 2 is a front elevation view thereof;  
FIG. 3 is a right side elevation view thereof;  
FIG. 4 is a left side elevation view thereof;  
FIG. 5 is a rear elevation view thereof;  
FIG. 6 is a top plan view thereof;  
FIG. 7 is a bottom plan view thereof; and,  
FIG. 8 is a perspective view with the cover flap open.

**1 Claim, 5 Drawing Sheets**



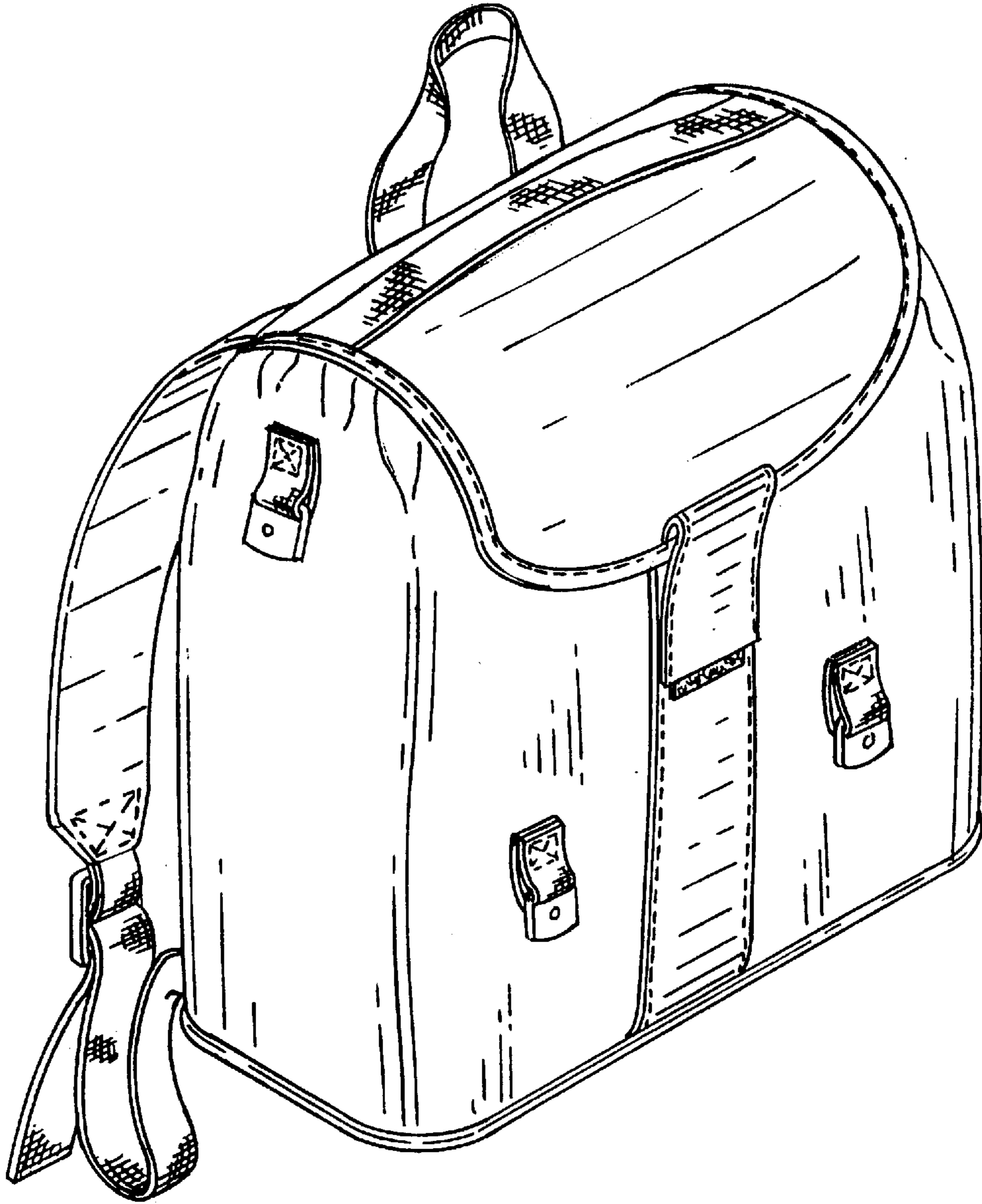


FIG. 1

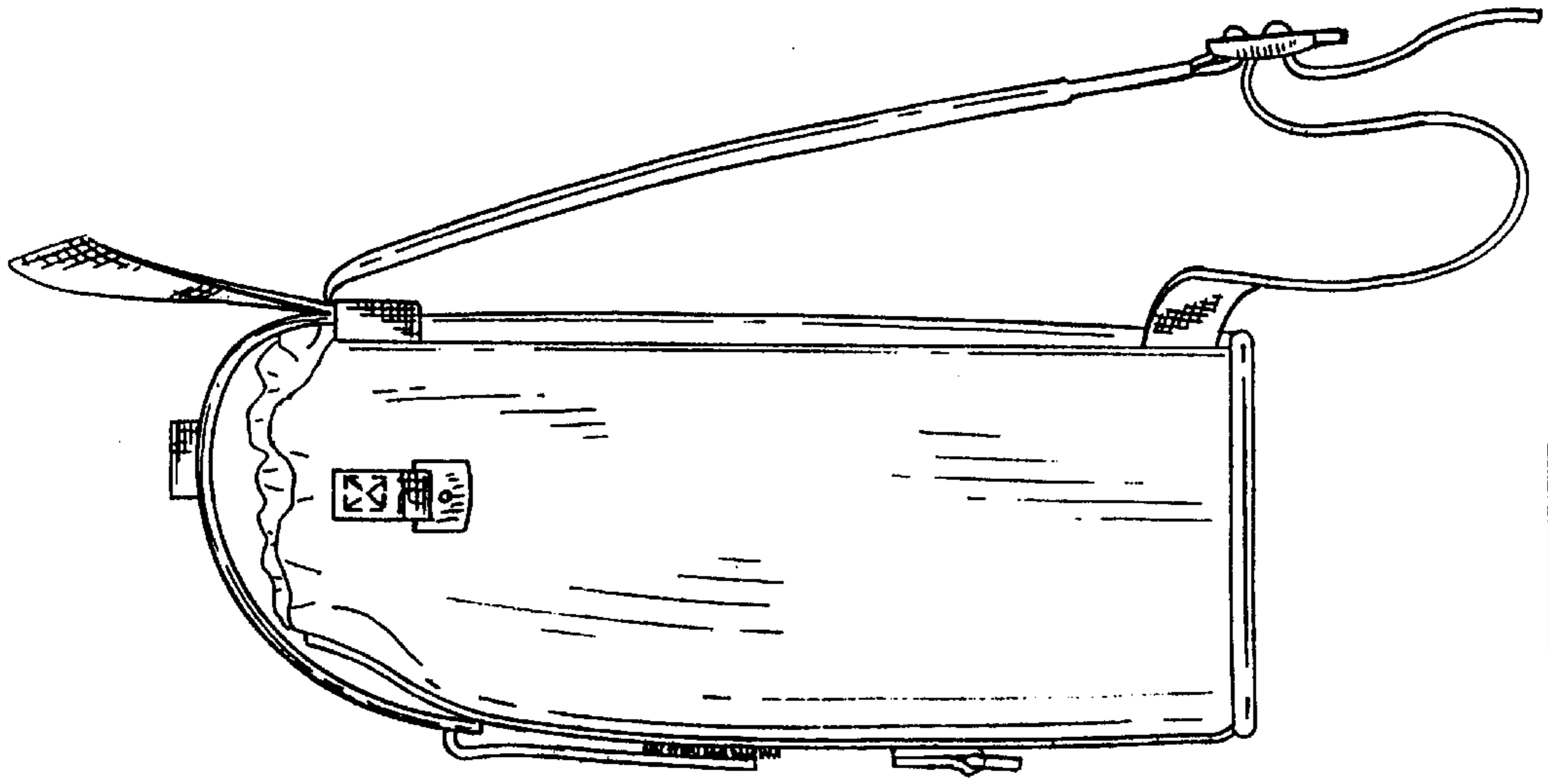


FIG. 3

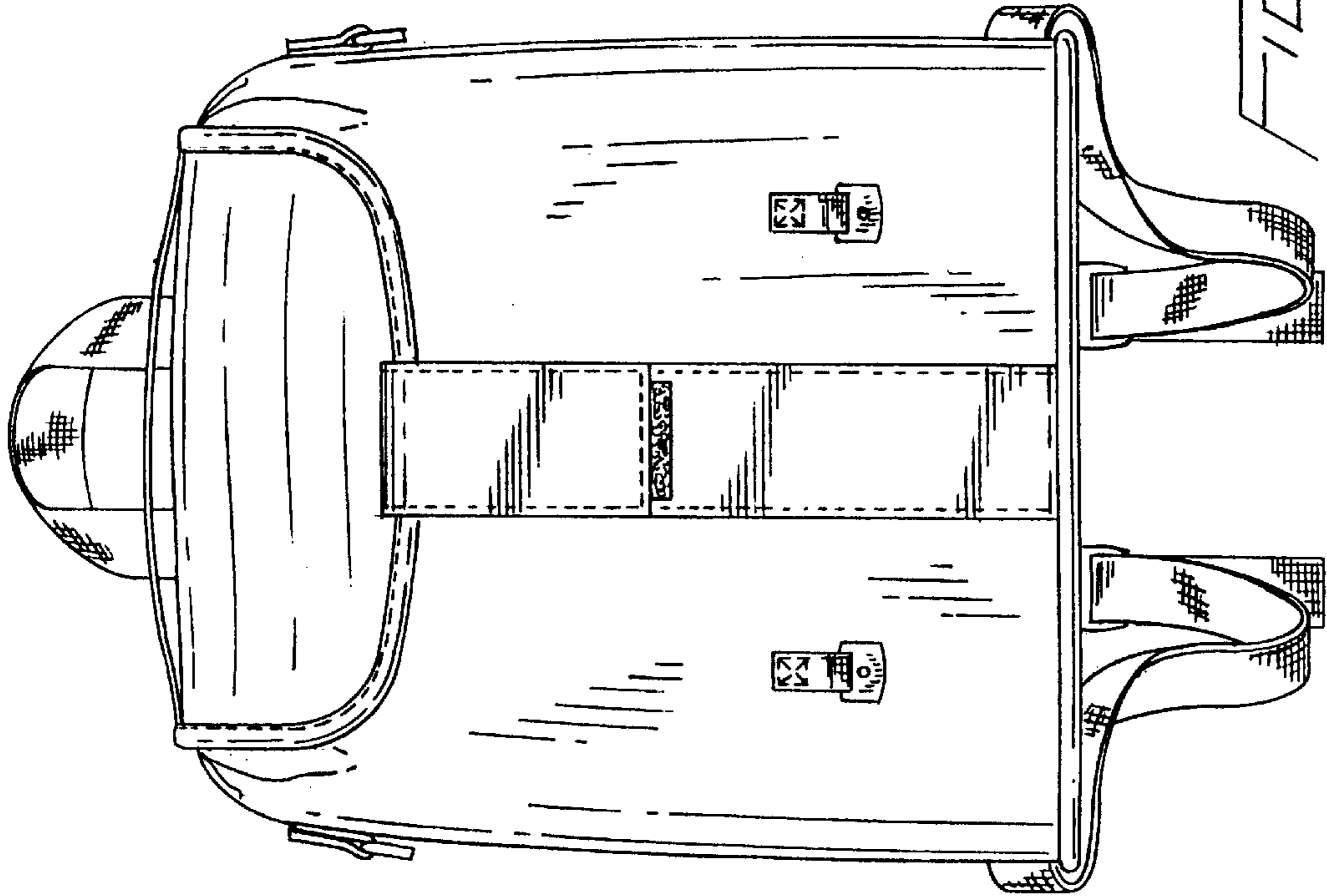


FIG. 2

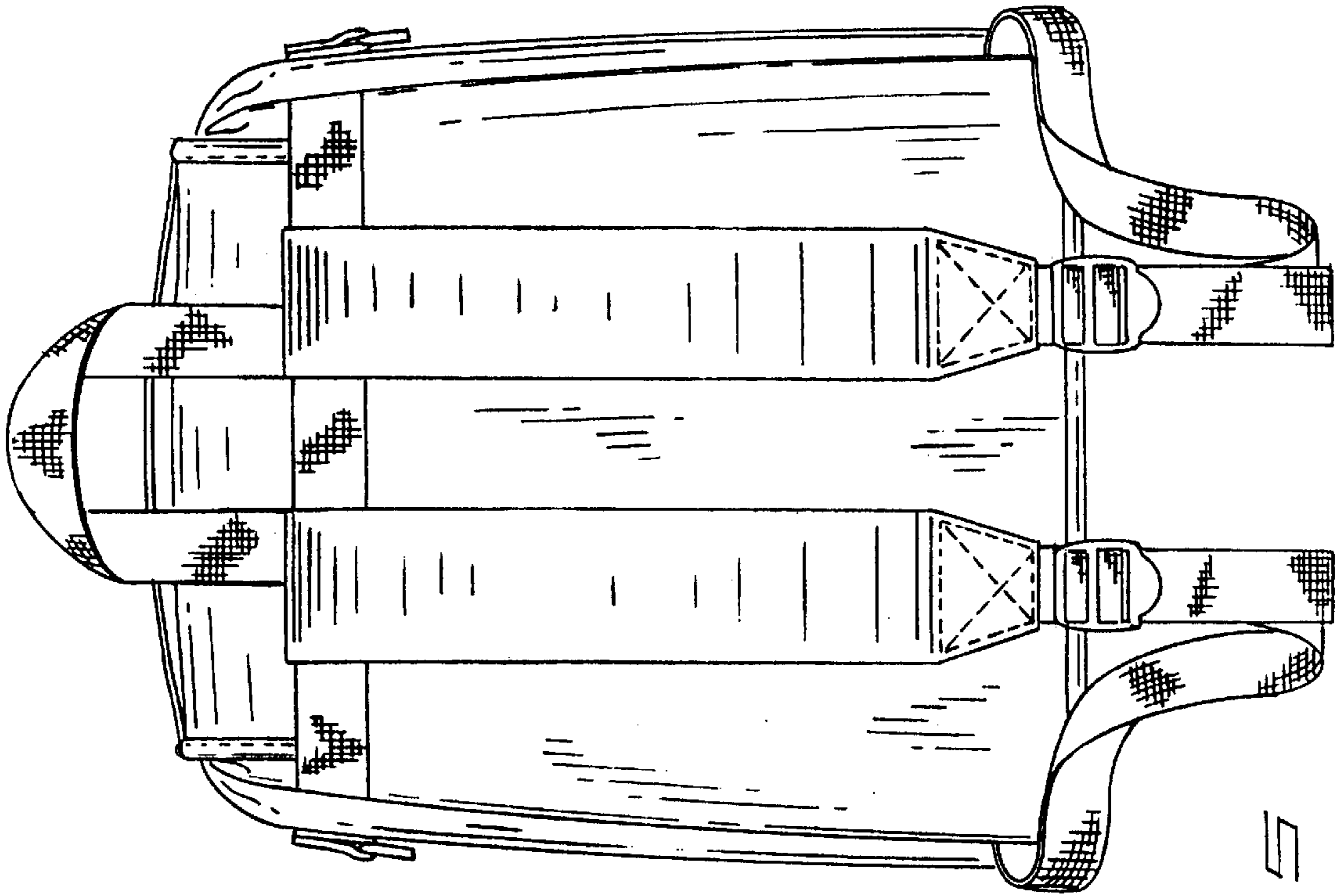


FIG. 3

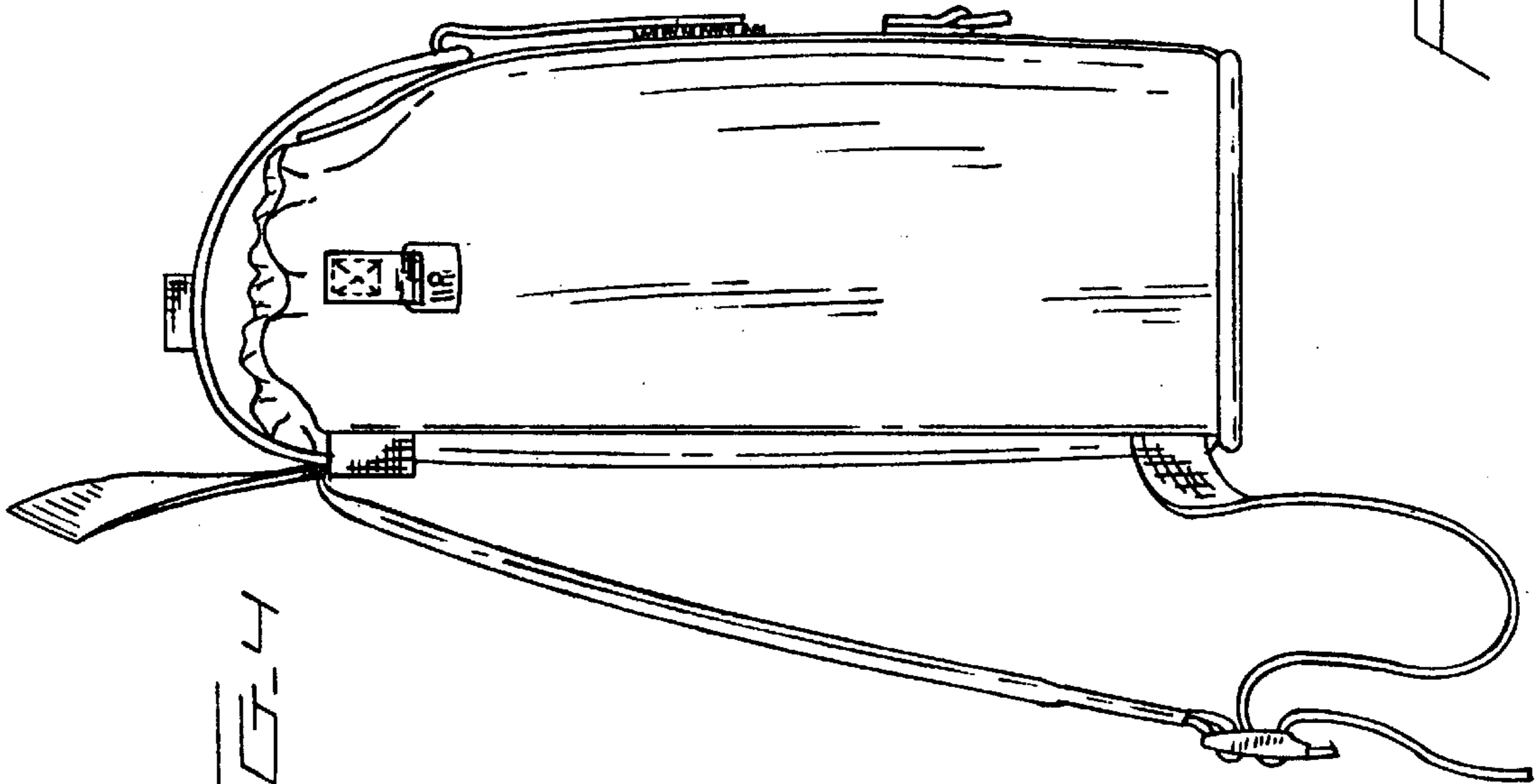


FIG. 4



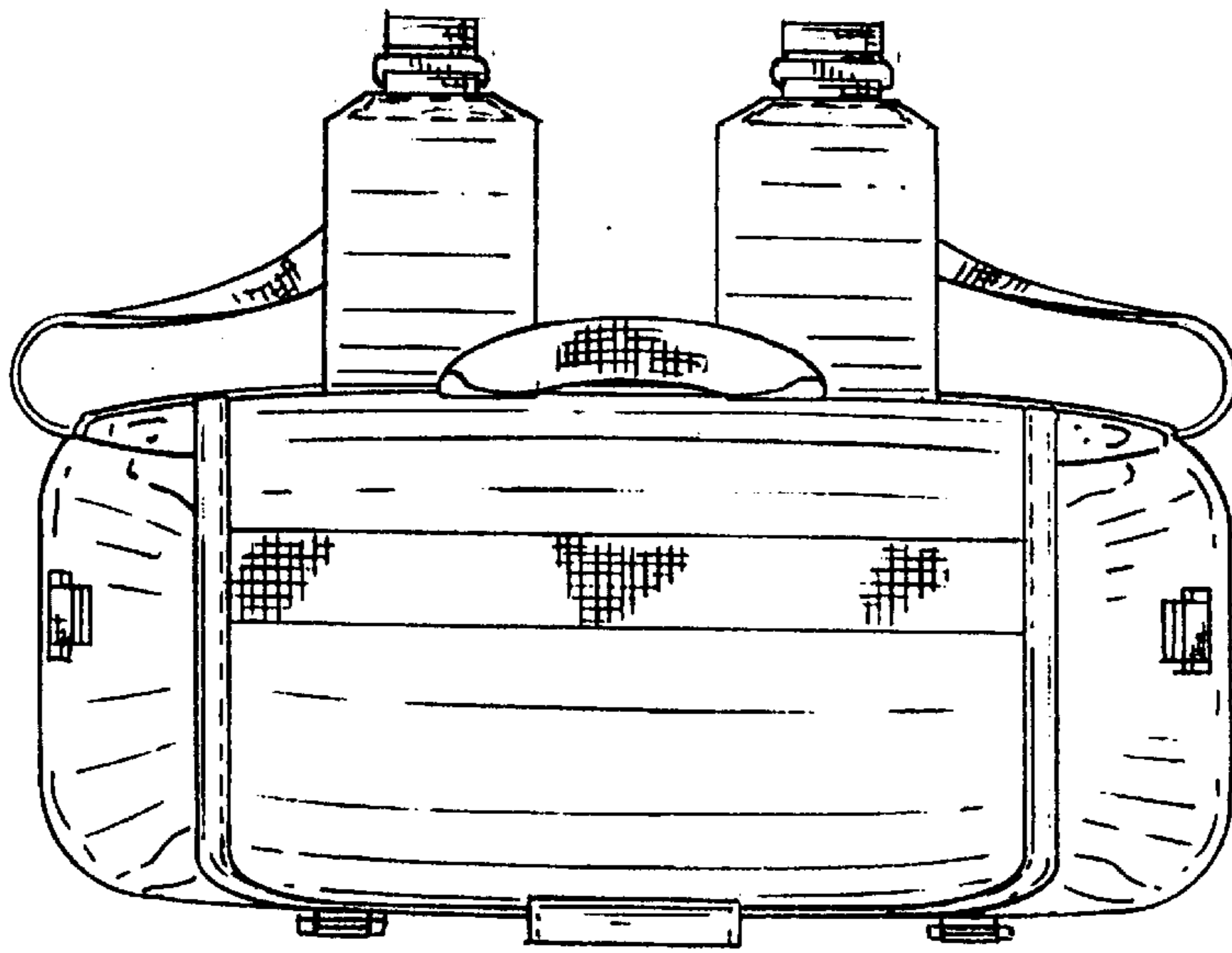


FIG. 6

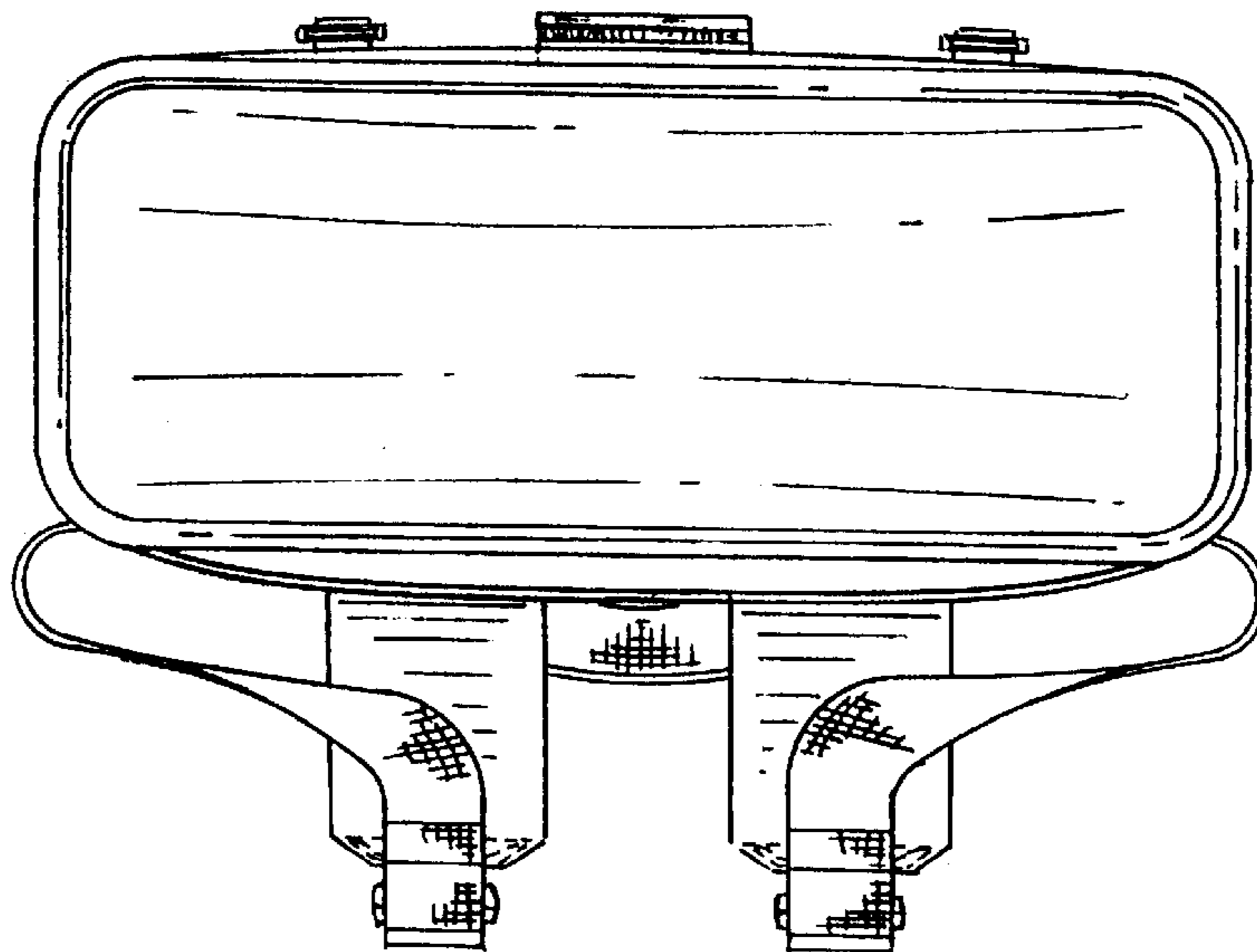


FIG. 7

FIG. 8

