



US00D403852S

United States Patent [19]

Shimura et al.

[11] Patent Number: **Des. 403,852**

[45] Date of Patent: ****Jan. 12, 1999**

[54] **BABY CARRIER**

[75] Inventors: **Toshihide Shimura; Hiroaki Matsuda,**
both of Tokyo, Japan

[73] Assignee: **Combi Corporation,** Tokyo, Japan

[**] Term: **14 Years**

[21] Appl. No.: **47,053**

[22] Filed: **Nov. 2, 1995**

Related U.S. Application Data

[63] Continuation of Ser. No. 21,396, Apr. 15, 1994, abandoned.

Foreign Application Priority Data

Oct. 15, 1993 [JP] Japan 5-31130

[51] **LOC (6) Cl.** **03-99**

[52] **U.S. Cl.** **D3/214; D3/213**

[58] **Field of Search** **D3/213-214; 224/158,**
224/159, 160, 161

References Cited

U.S. PATENT DOCUMENTS

D. 240,567 7/1976 Tatum D3/214
D. 247,199 2/1978 Carter D3/214
D. 266,800 11/1982 Kula et al. D3/214

D. 276,478 11/1984 Fallon D3/214
D. 282,697 2/1986 Allen D3/214
D. 284,525 7/1986 LeMaistre D3/214
2,535,683 12/1950 Kimball D3/214
4,544,088 10/1985 Reding 224/159

Primary Examiner—Celia Murphy
Attorney, Agent, or Firm—Sughrue, Mion, Zinn, Macpeak
& Seas

[57] CLAIM

The ornamental design for a baby carrier, as shown and described.

DESCRIPTION

FIG. 1 is a front elevational view of a baby carrier in a folded condition showing our new design; FIG. 2 is a rear elevational view thereof; FIG. 3 is a side elevational view of the left side thereof; FIG. 4 is a side elevational view of the right side thereof; FIG. 5 is a top plan view thereof; FIG. 6 is a bottom plan view thereof; FIG. 7 is a perspective view from the front and right sides thereof with the baby carrier expanded for actual usage; and, FIG. 8 is a perspective view from the right side thereof with the baby carrier expanded for actual usage. The broken lines shown in FIGS. 1, 2, 7 and 8 represent conventional stitching.

1 Claim, 5 Drawing Sheets

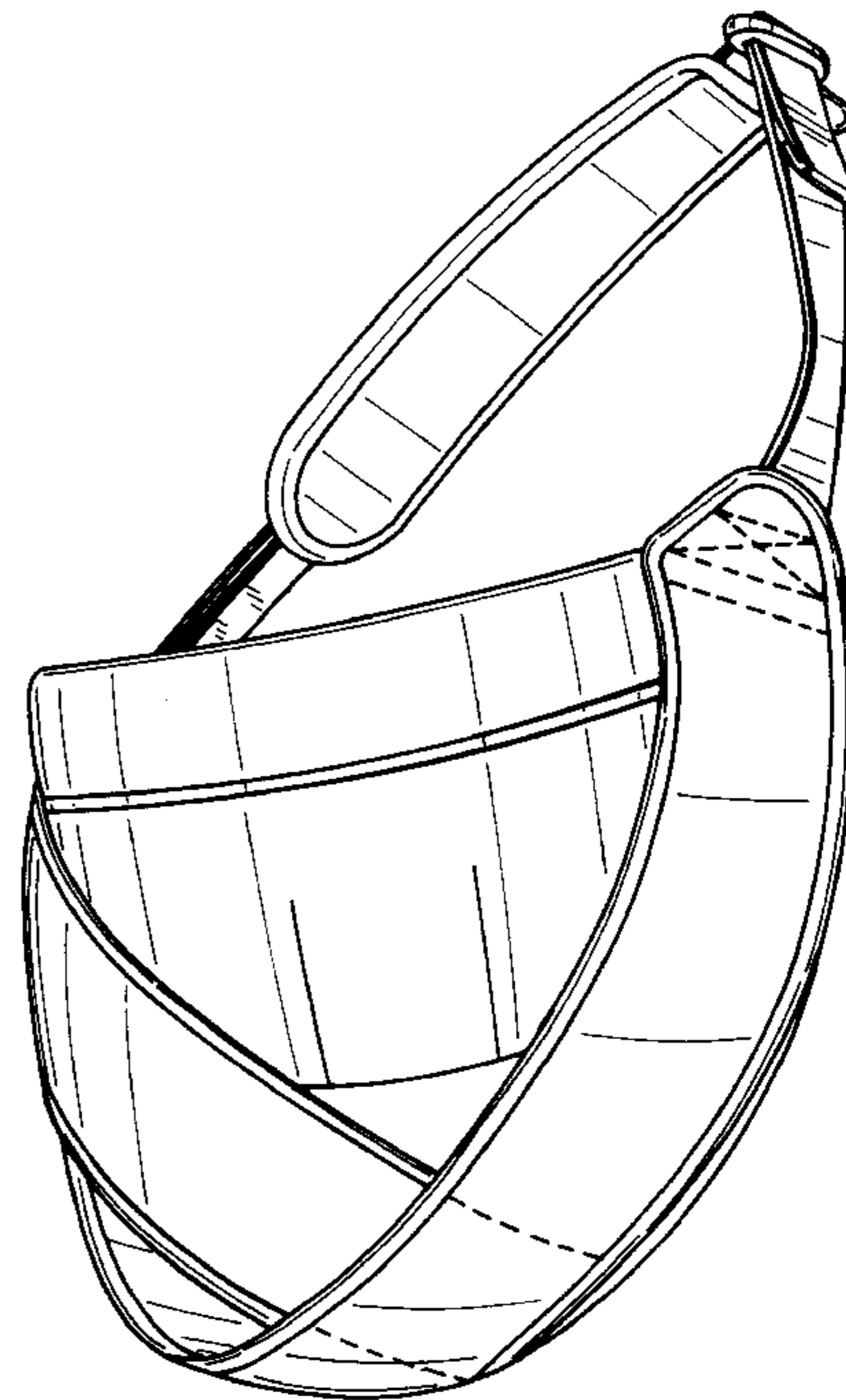
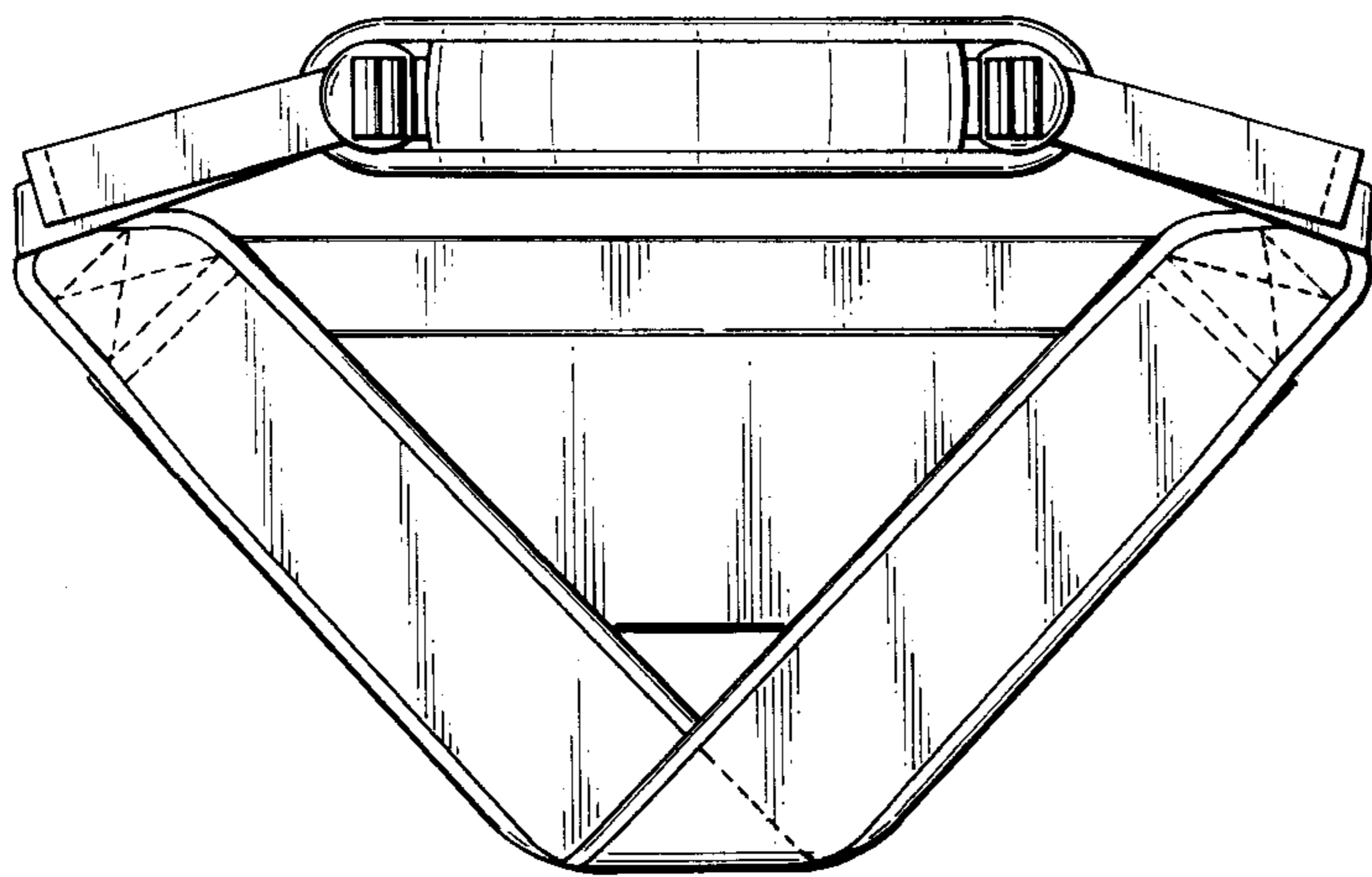


Fig. 1

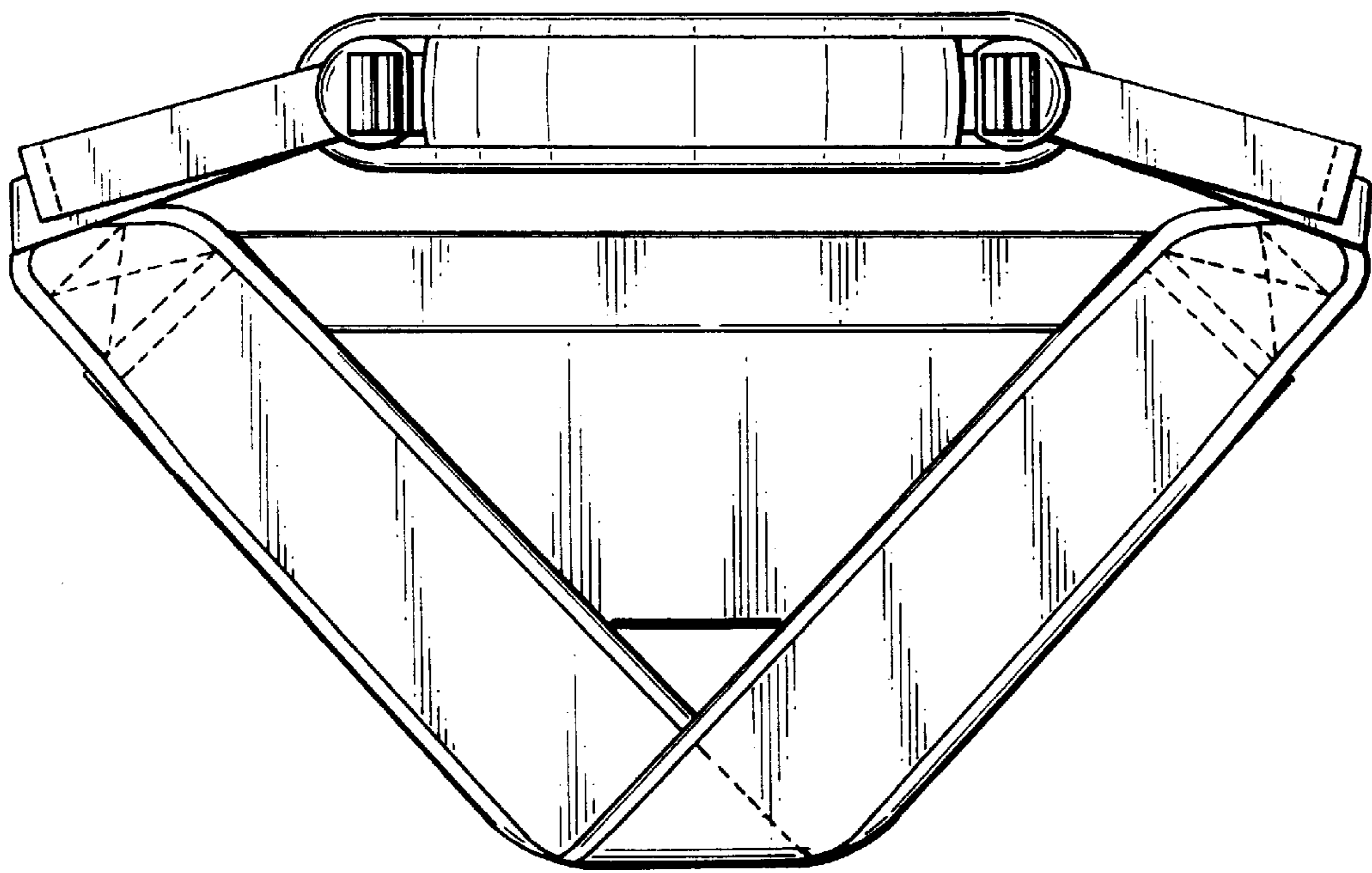


Fig. 2

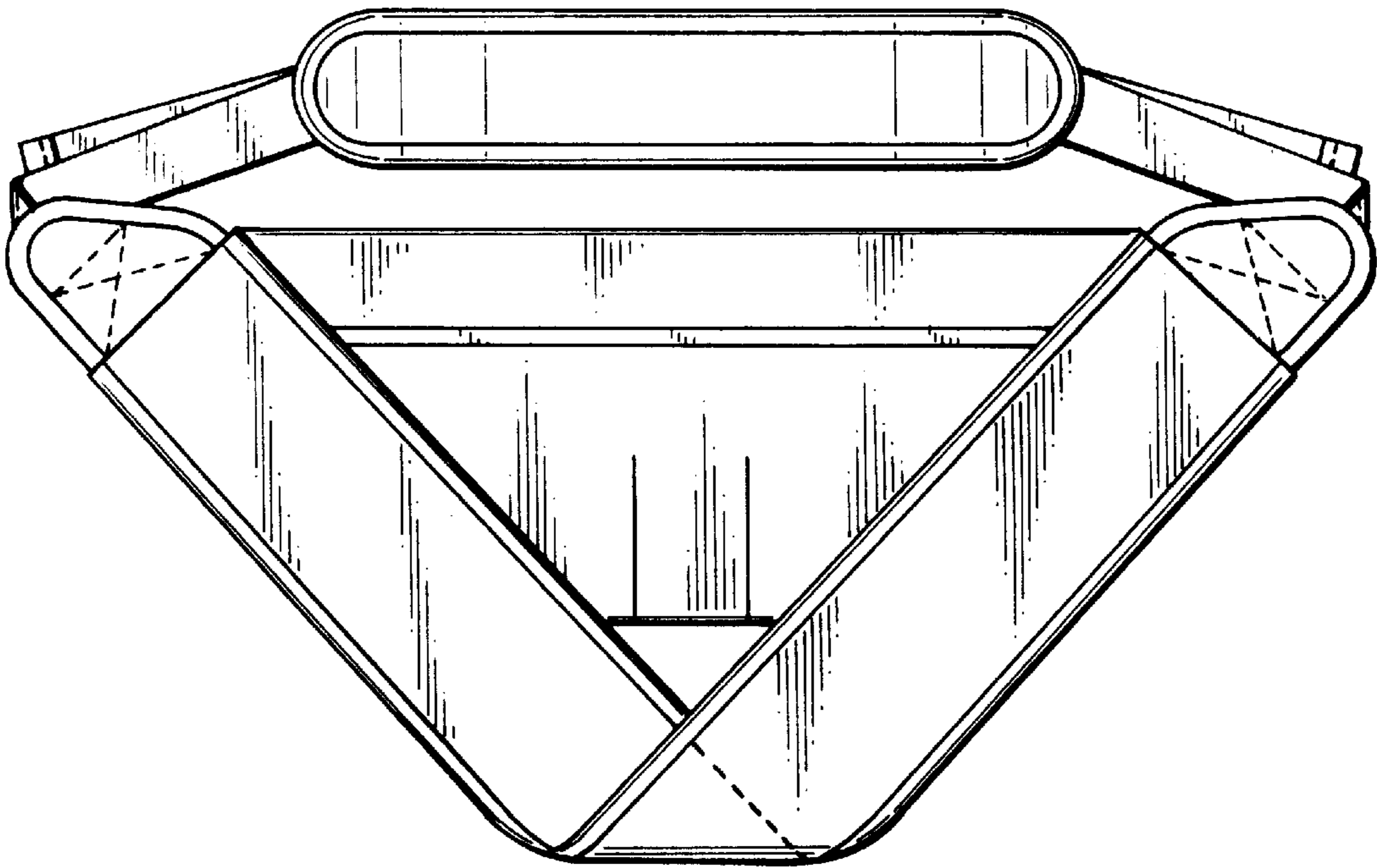


Fig. 3

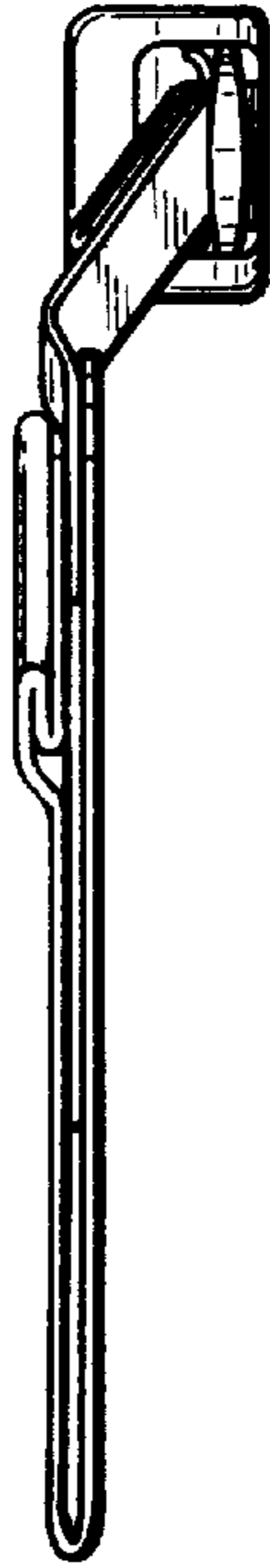


Fig. 4



Fig. 5

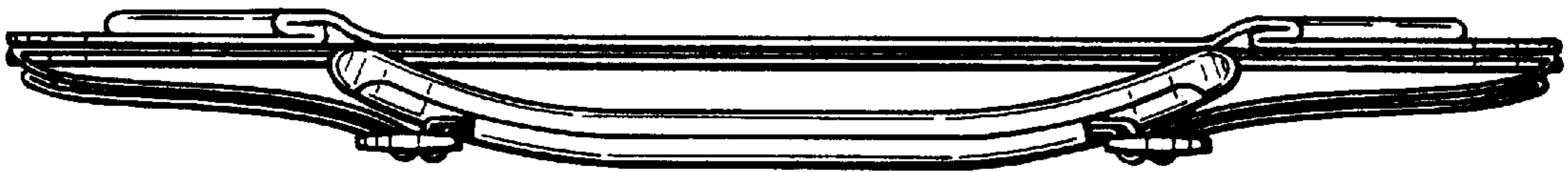


Fig. 6

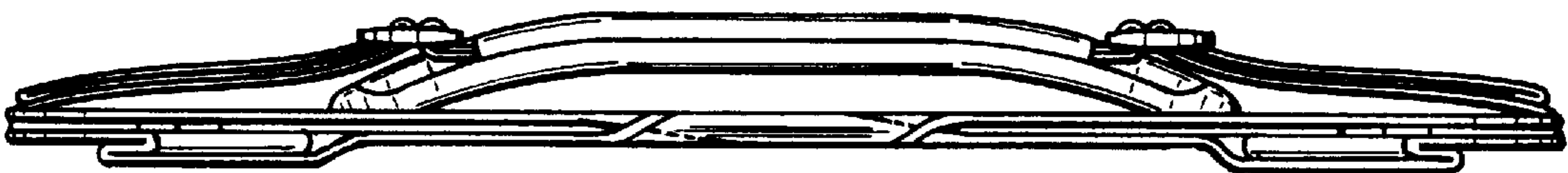


Fig. 7

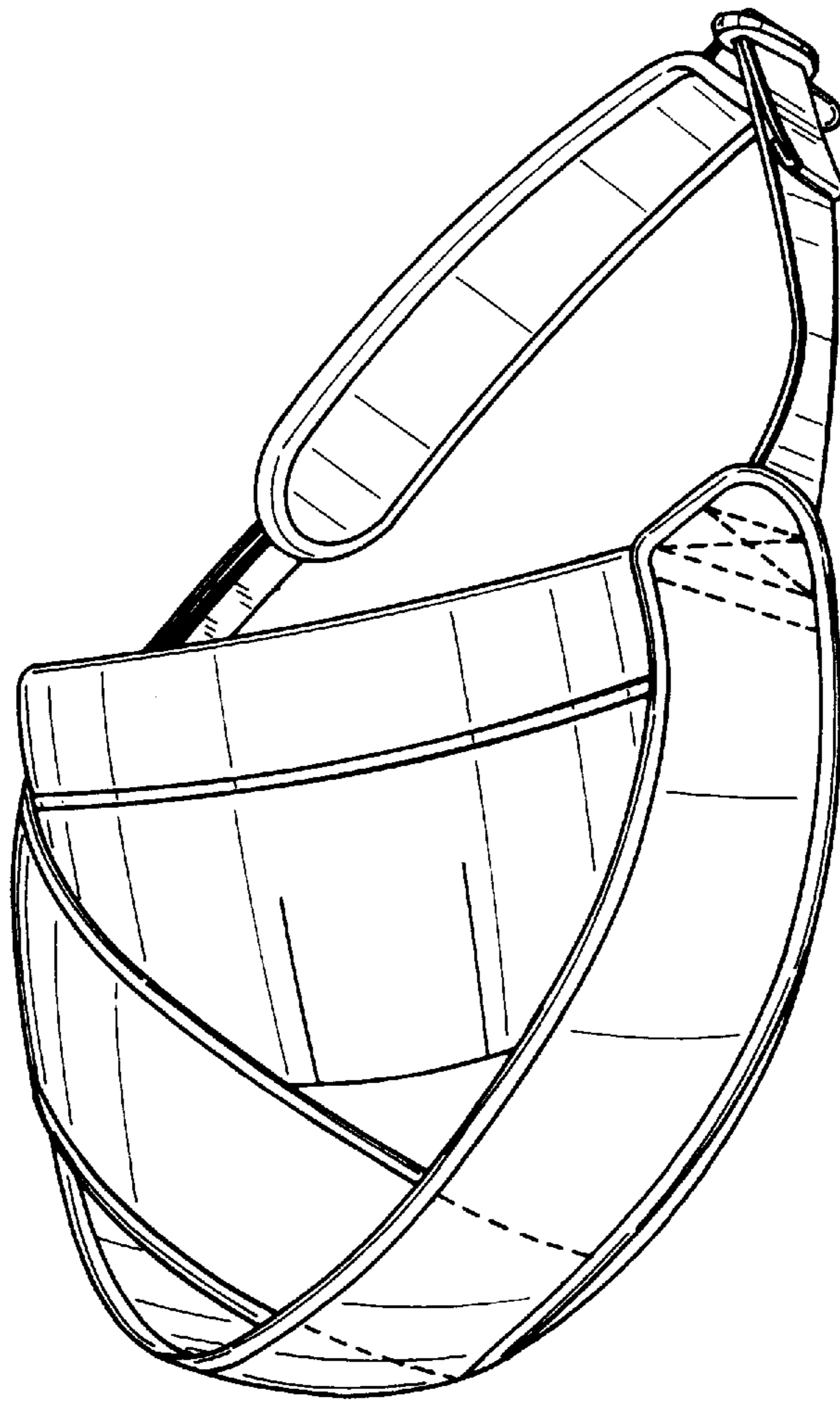


Fig. 8

