



US00D403834S

United States Patent [19]
Nulman

[11] **Patent Number: Des. 403,834**

[45] **Date of Patent: **Jan. 5, 1999**

[54] **BASKETBALL BANK**

4,454,204 6/1984 Dosey D11/157
5,069,645 12/1991 Dworman et al. D99/37 X

[76] Inventor: **Joel S. Nulman**, 71 S. Main St.,
Belchertown, Mass. 01007

Primary Examiner—Paula A. Mortimer
Attorney, Agent, or Firm—Donald S. Holland, Esq.; Holland
& Bonzagni, P.C.

[**] Term: **14 Years**

[21] Appl. No.: **78,377**

[57] **CLAIM**

[22] Filed: **Oct. 27, 1997**

The ornamental design for a “basketball bank,” as shown
and described.

[51] **LOC (6) Cl.** **99-00**

DESCRIPTION

[52] **U.S. Cl.** **D99/37; D11/201**

[58] **Field of Search** D99/34, 35, 36,
D99/37; 446/8, 9, 10, 11, 12; D11/131,
157; D26/94; D21/191, 201; 428/542.4

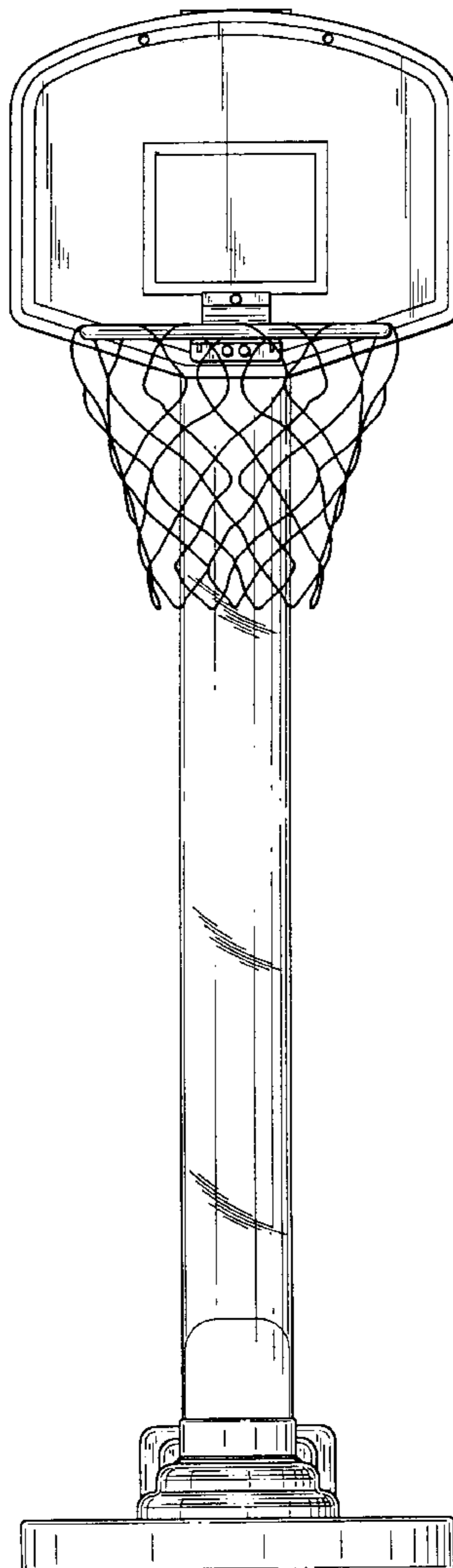
FIG. 1 is a front elevational view of a basketball bank
showing my new design;
FIG. 2 is a rear elevational view of the basketball bank of
FIG. 1;
FIG. 3 is a bottom plan view of the basketball bank of FIG.
1;
FIG. 4 is a top plan view of the basketball bank of FIG. 1;
and,
FIG. 5 is a right side elevational view thereof, the opposite
side is a mirror image.

[56] **References Cited**

U.S. PATENT DOCUMENTS

D. 321,846	11/1991	Nys	D11/157
D. 324,925	3/1992	Locklear et al.	D26/94
D. 356,427	3/1995	August	D99/37
D. 379,023	4/1997	August	D99/37
D. 379,024	4/1997	Nulman	D99/37

1 Claim, 2 Drawing Sheets



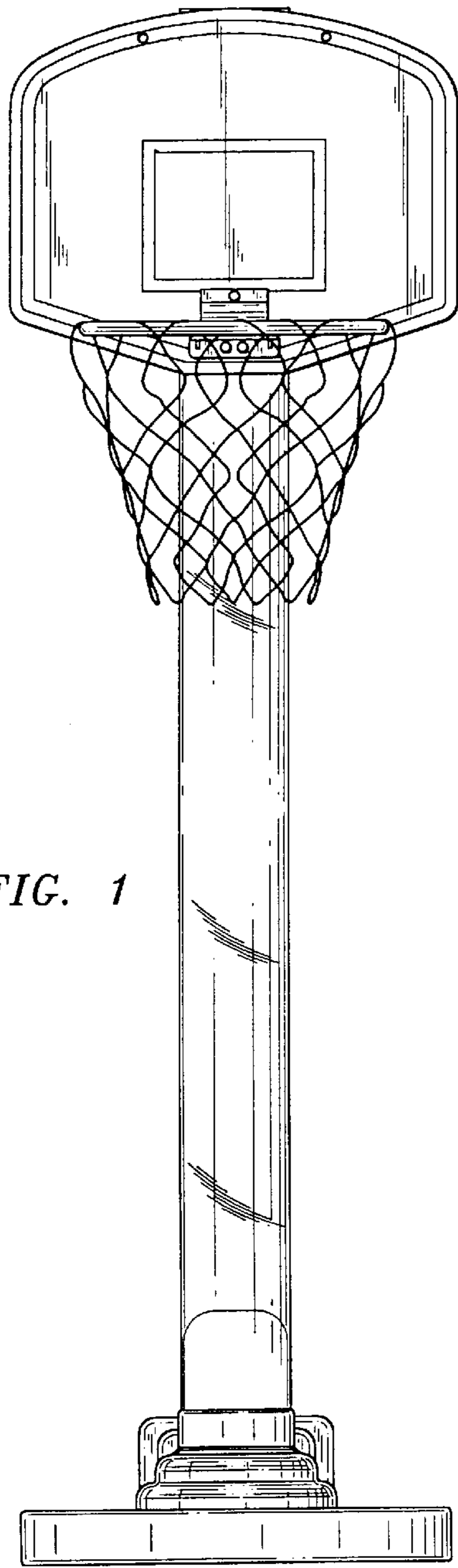


FIG. 1

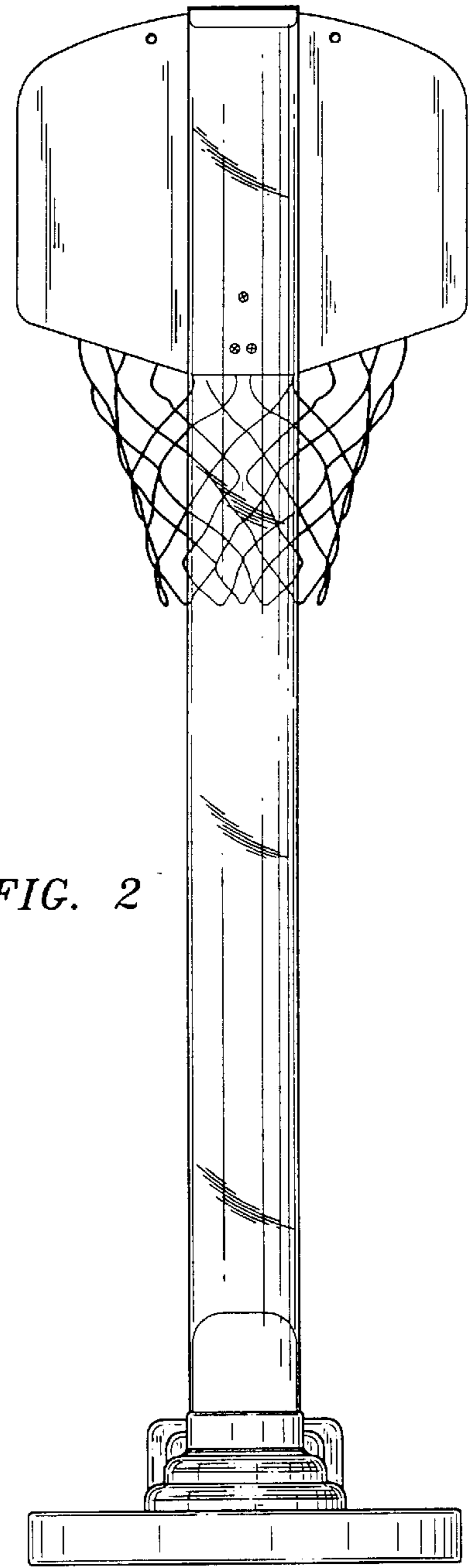


FIG. 2

