



US00D403832S

United States Patent [19] Gerke

[11] **Patent Number: Des. 403,832**

[45] **Date of Patent: **Jan. 5, 1999**

[54] **FOLDABLE PET CASKET**

[76] Inventor: **Otto Friedrich Gerke,**
Gerhart-Hauptmann-Strasse 18,
D-59555 Lippstadt, Germany

[**] Term: **14 Years**

[21] Appl. No.: **70,956**

[22] Filed: **May 1, 1997**

[51] **LOC (6) Cl. 99-00**

[52] **U.S. Cl. D99/1**

[58] **Field of Search** D99/1, 2, 3, 4,
D99/6; 27/1-8; D9/430, 431, 433; 229/100,
101, 120.1, 120.05, 120.08; D30/199, 161,
108

[56] **References Cited**

U.S. PATENT DOCUMENTS

D. 136,489	10/1943	Geffner	D9/430
D. 292,839	11/1987	Brogdon	27/1
D. 355,520	2/1995	Harrill	27/1
1,138,788	5/1915	Puley	229/100
2,802,614	8/1957	Gelin	229/100
4,238,068	12/1980	Ellorbe et al.	229/101
4,325,325	4/1982	Larter	D30/161 X
4,791,883	12/1988	Lehman et al.	229/101

Primary Examiner—Paula A. Mortimer

[57] **CLAIM**

The ornamental design for a foldable pet casket, as shown and described.

DESCRIPTION

FIG. 1 is a front perspective view of a foldable pet casket

showing my new design in a folded and assembled position;

FIG. 2 is a side elevational view of the foldable pet casket of FIG. 1, an opposite side elevation view being identical therewith;

FIG. 3 is an end elevational view of the foldable pet casket of FIG. 1, an opposite end elevational view being identical therewith;

FIG. 4 is a top plan view of the foldable pet casket of FIG. 1;

FIG. 5 is a bottom plan view of the foldable pet casket of FIG. 1;

FIG. 6 is a top plan view of the top member in an unfolded position, the opposite side is a mirror image, the top is shown separately for ease of illustration;

FIG. 7 is a top plan view of the bottom member in an unfolded position, the opposite side is a mirror image, the bottom is shown separately for ease of illustration;

FIG. 8 is a top side elevational view with the tab in a vertical position, the top is shown separately for ease of illustration;

FIG. 9 is a top end elevational view thereof, the opposite end is a mirror image;

FIG. 10 is a side elevational view of the bottom member, the opposite side is a mirror image, the bottom is shown separately for ease of illustration;

FIG. 11 is an end elevational view thereof;

FIG. 12 is a bottom plan view of FIG. 10; and,

FIG. 13 is a top plan view of FIG. 10.

1 Claim, 8 Drawing Sheets

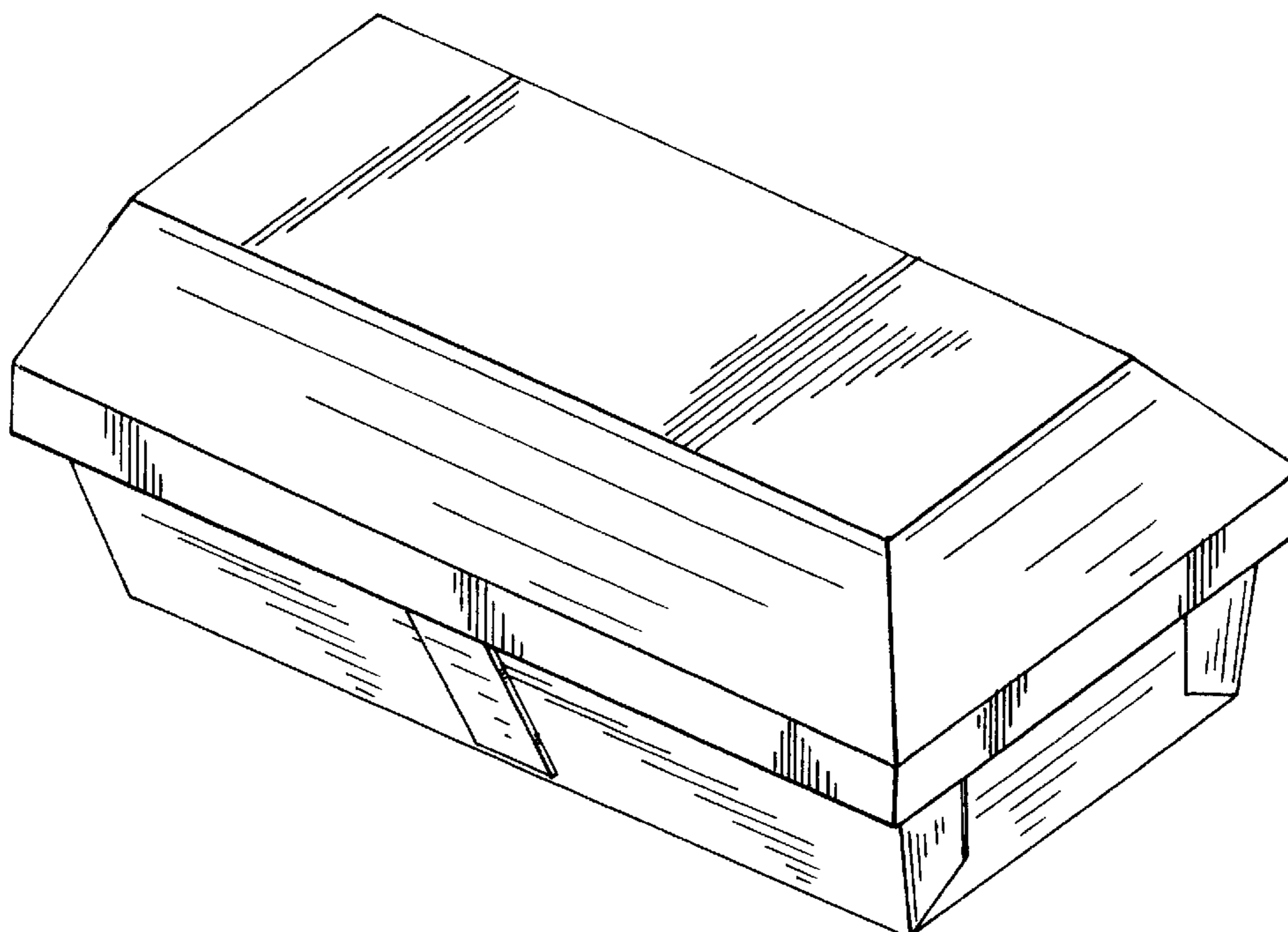


FIG. 1

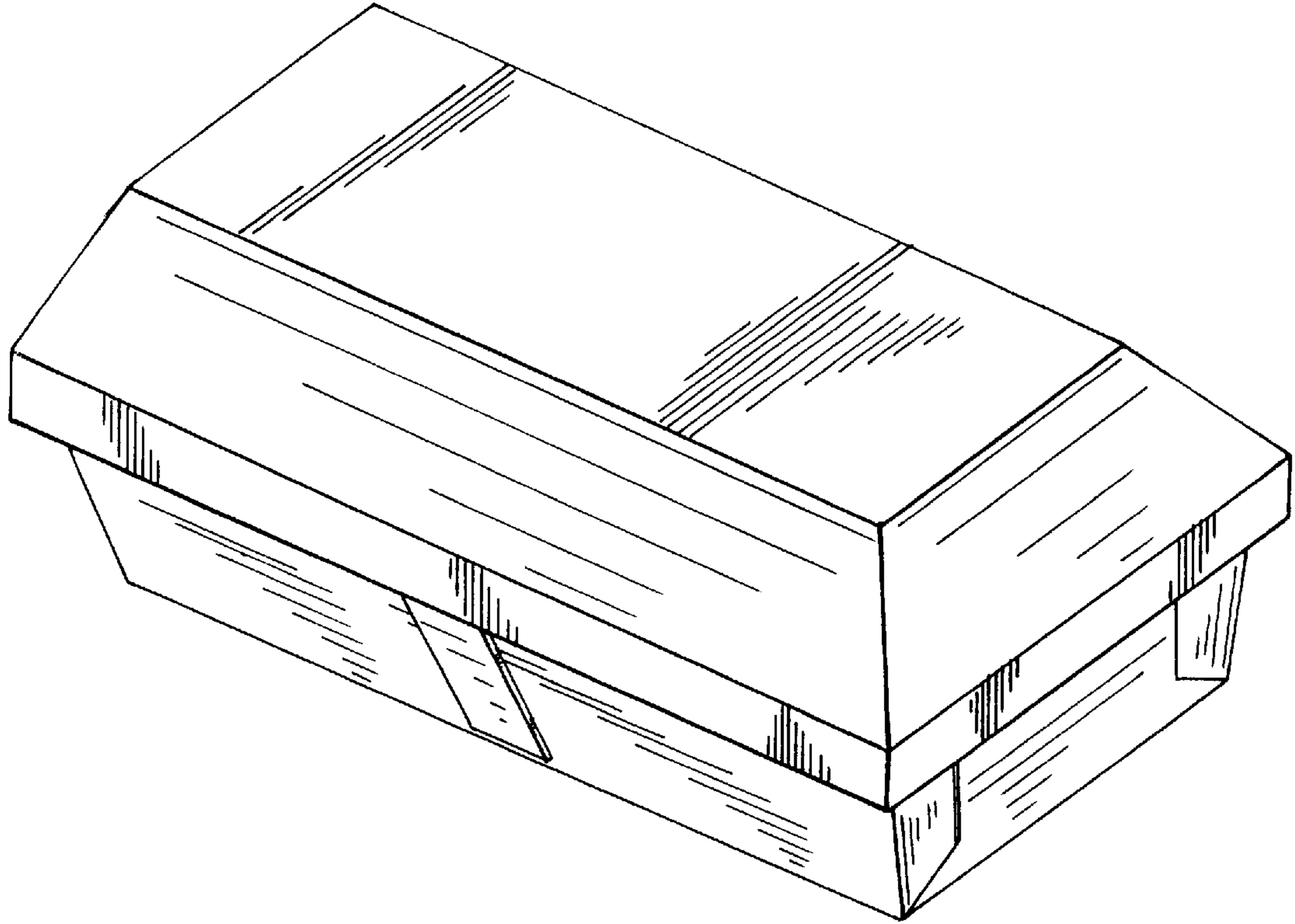


FIG. 2

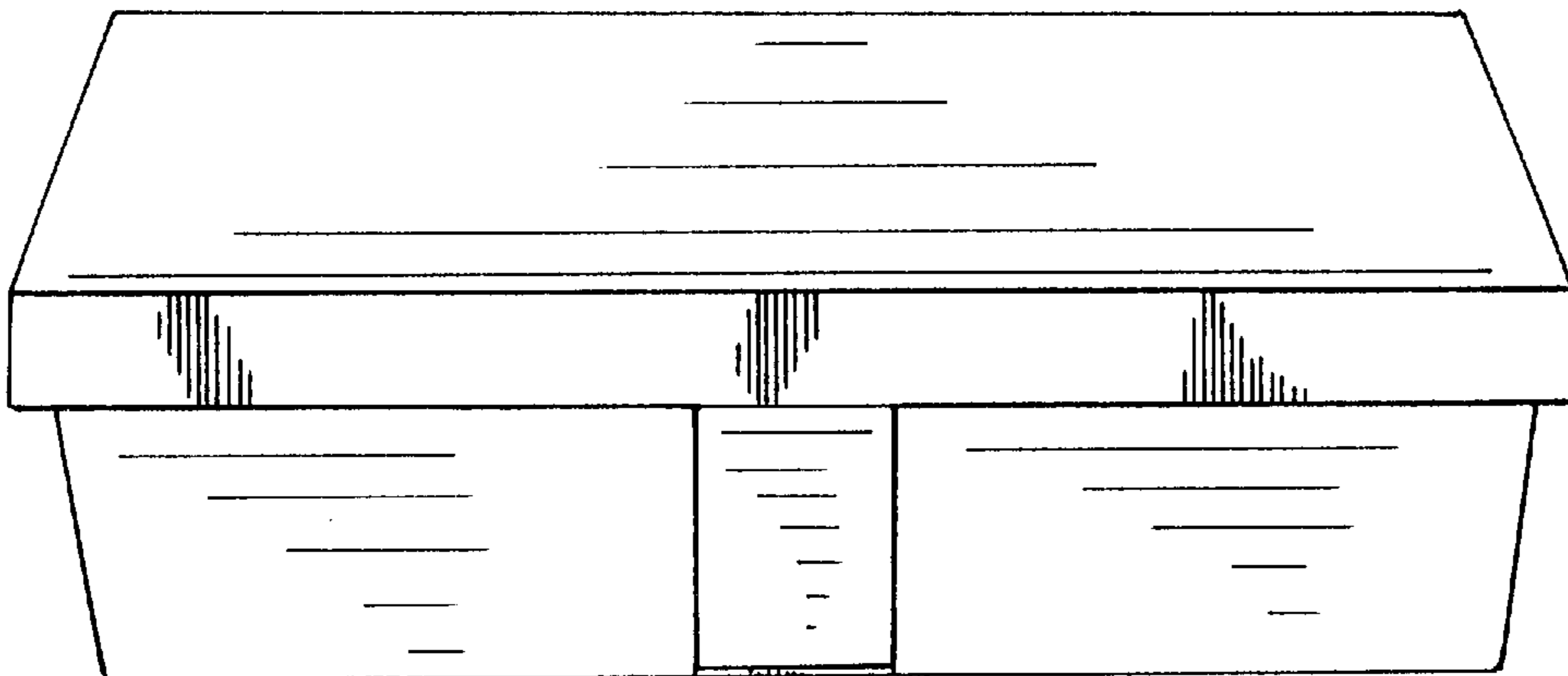


FIG. 3

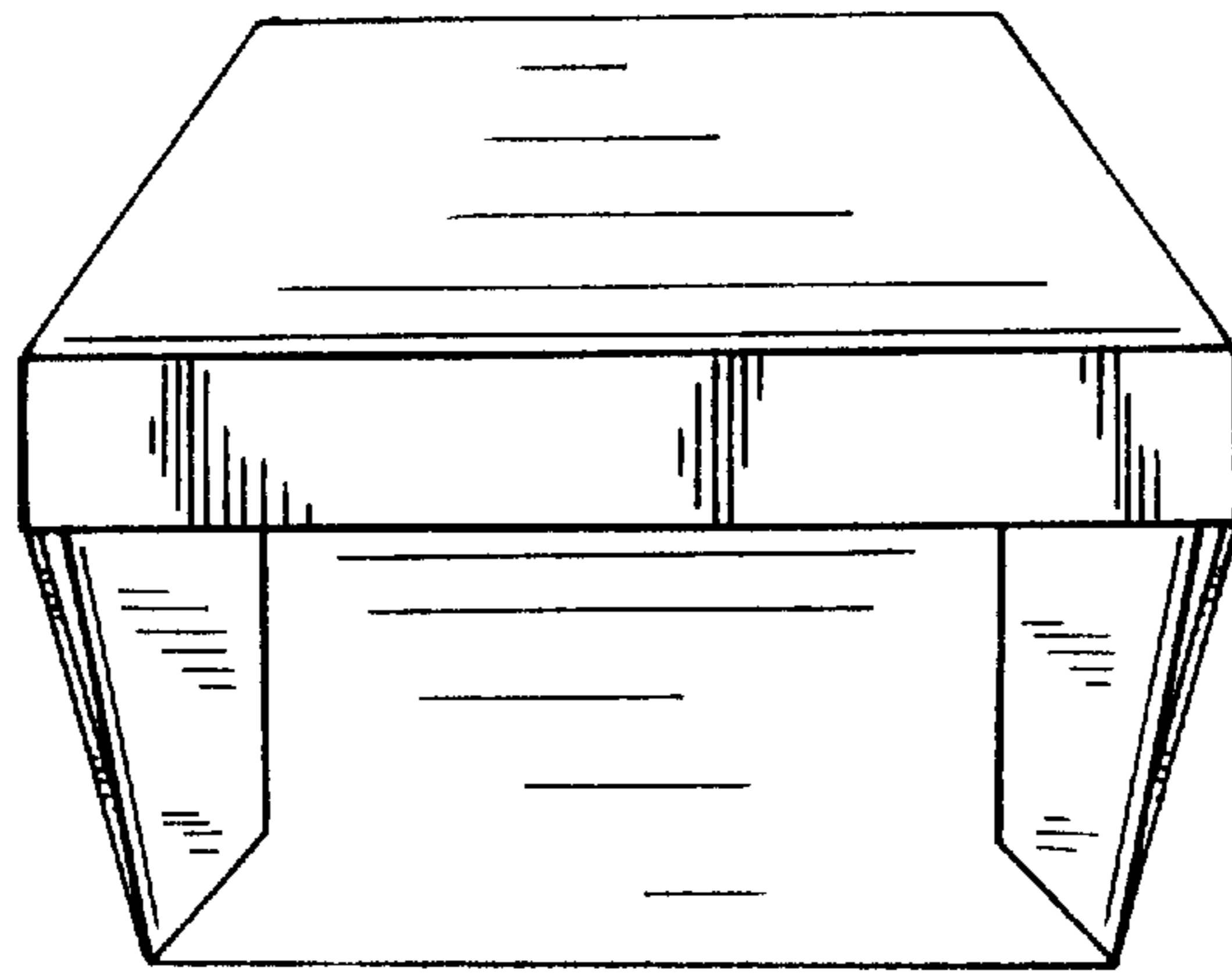


FIG. 4

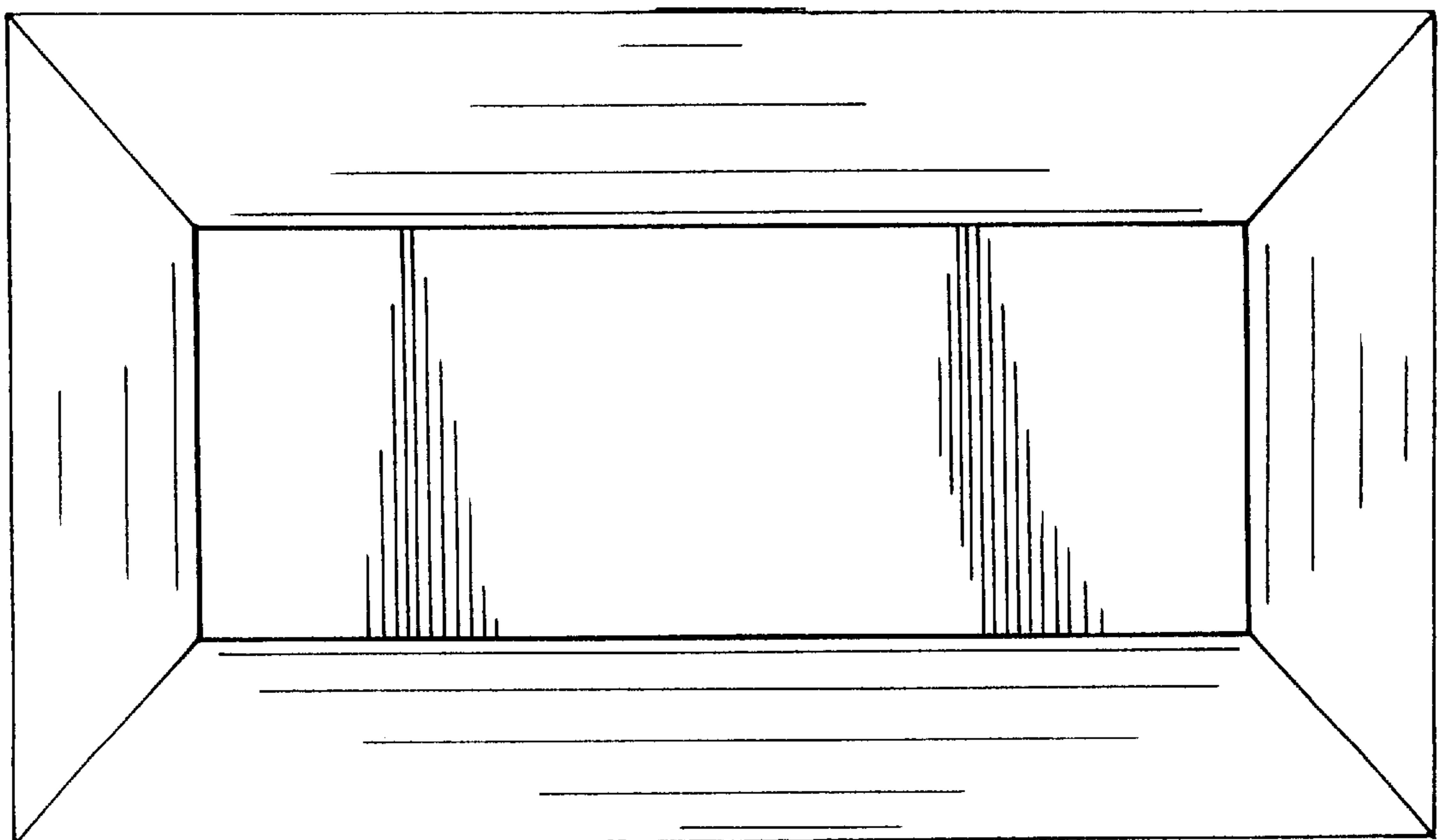


FIG. 5

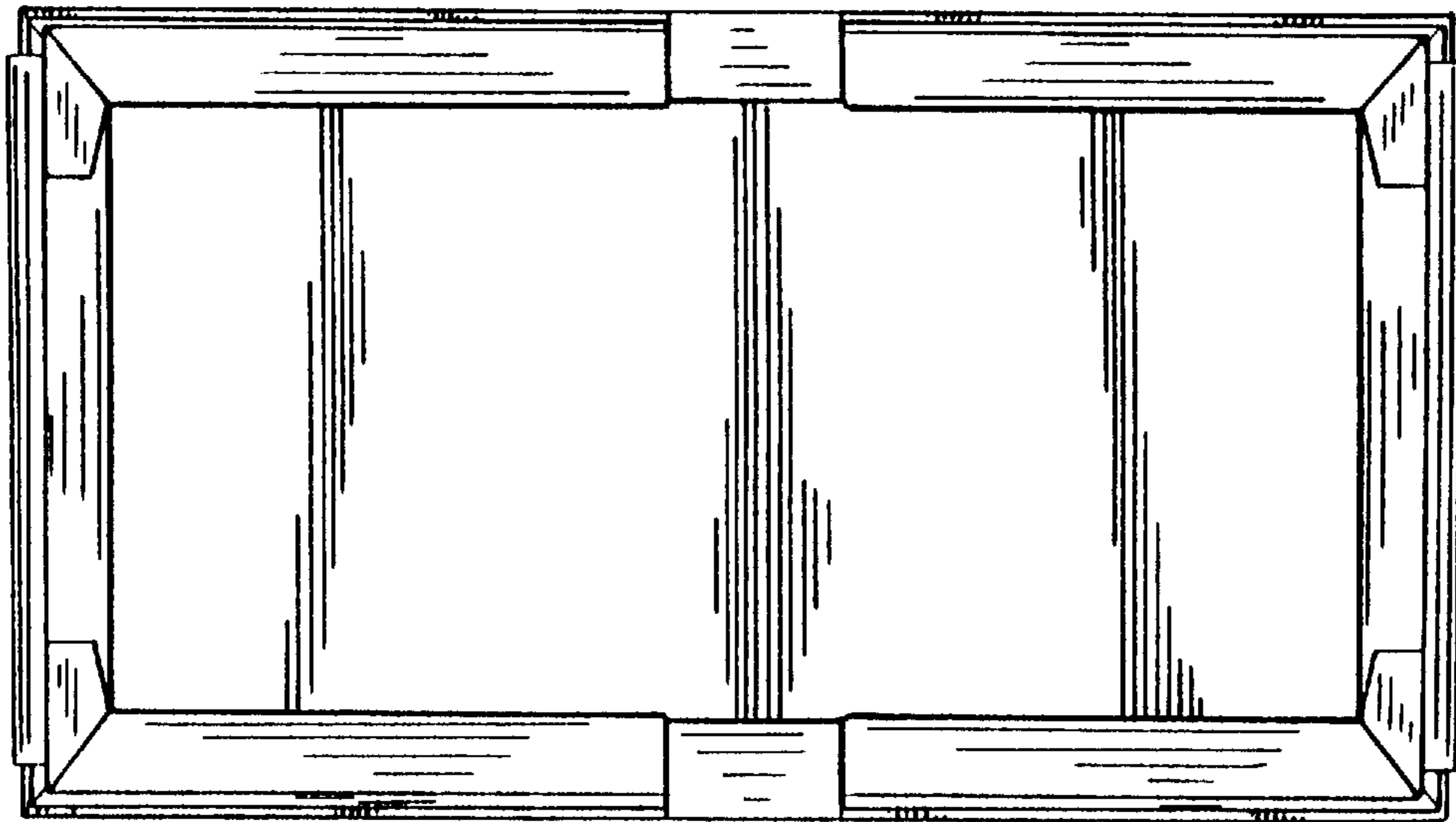


FIG. 6

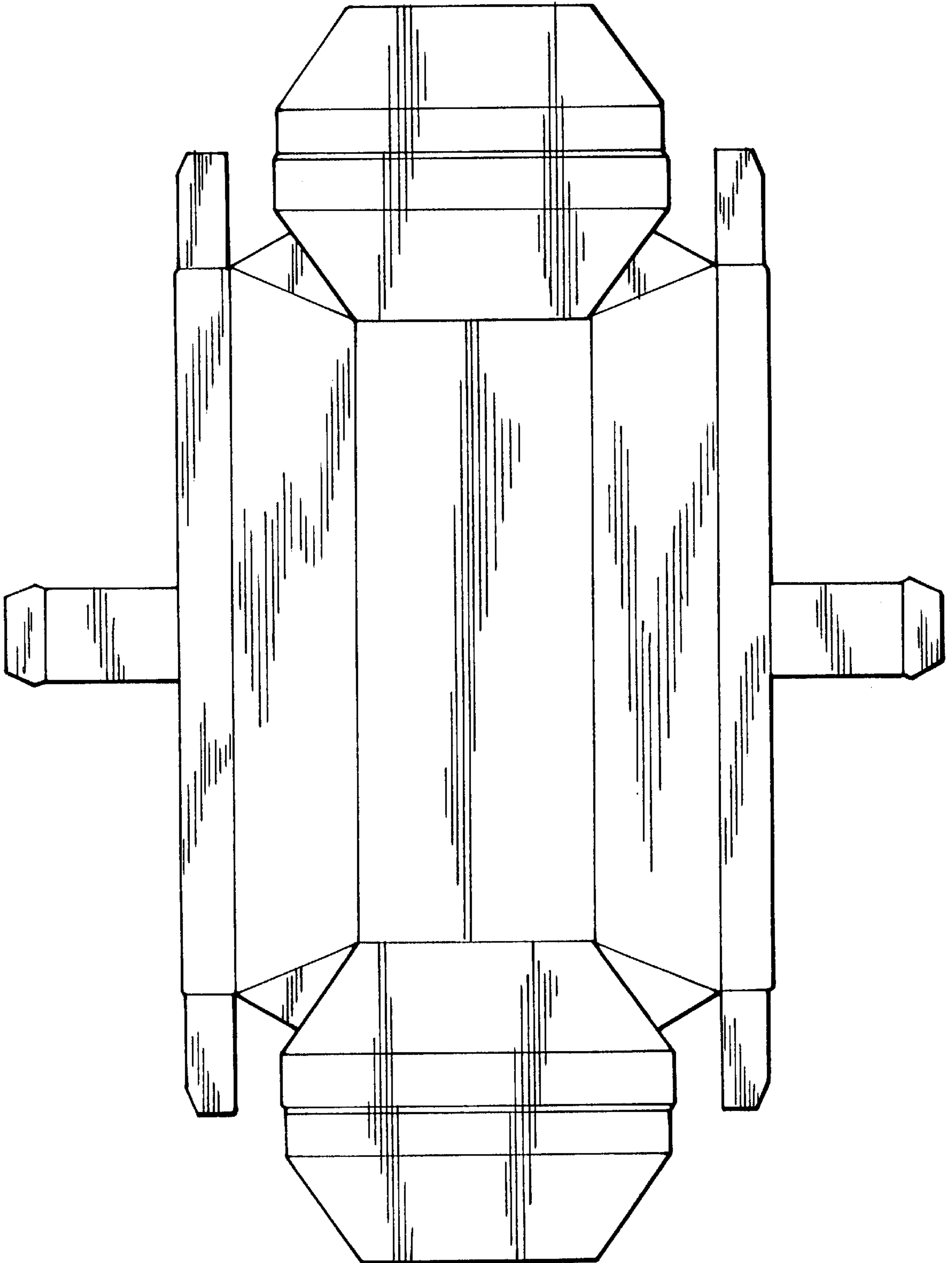


FIG. 7

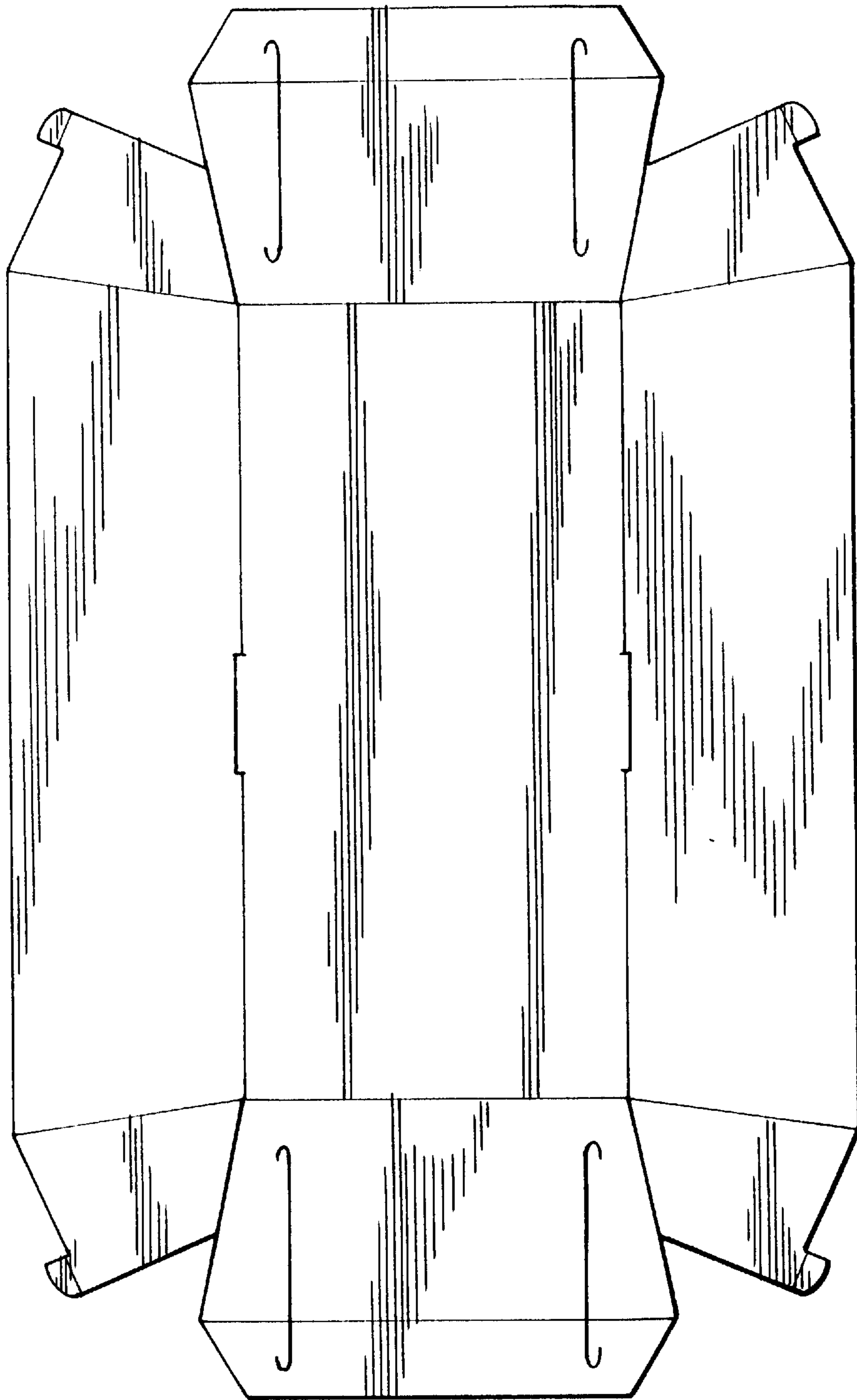


FIG. 8

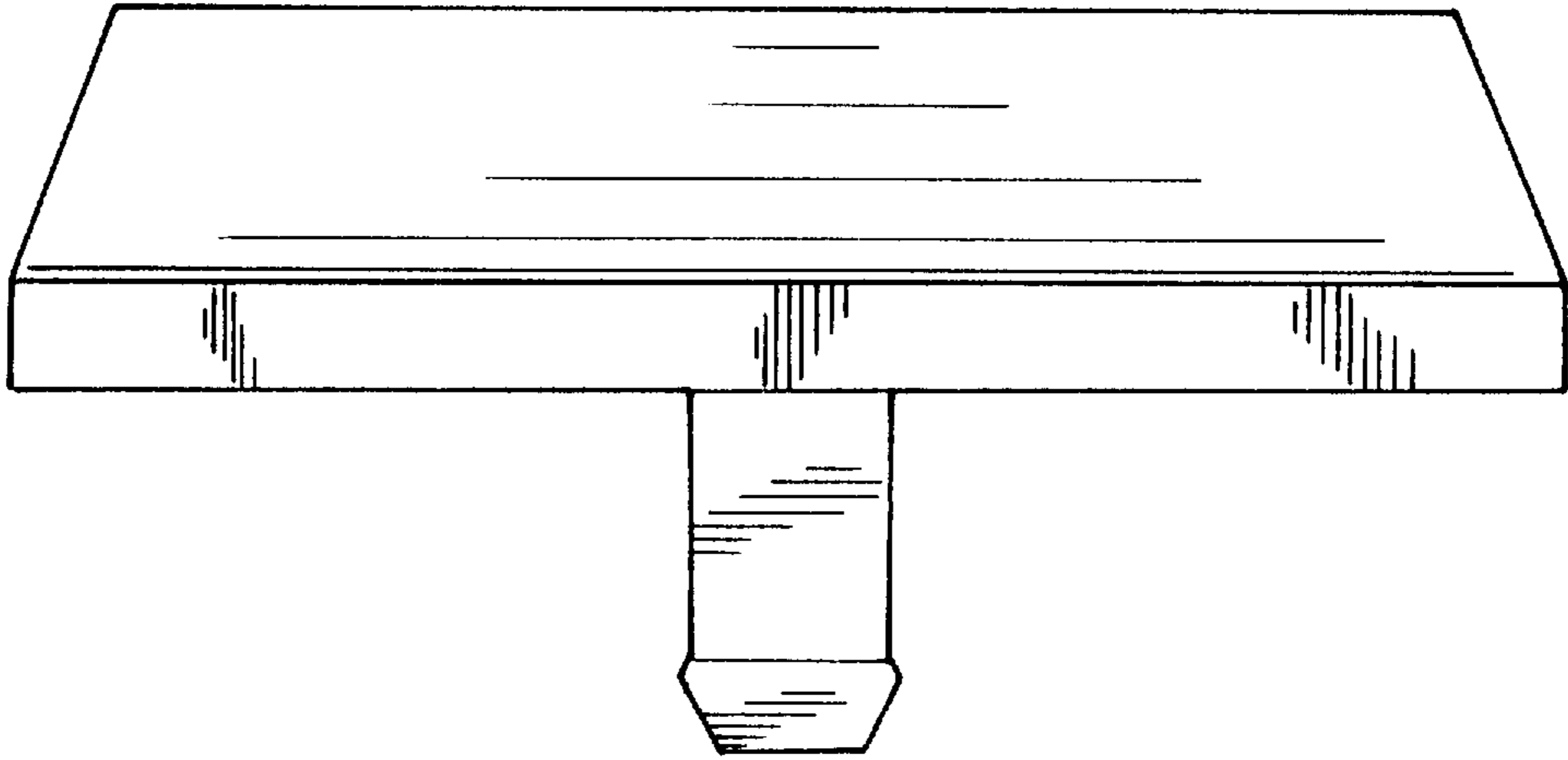


FIG. 9

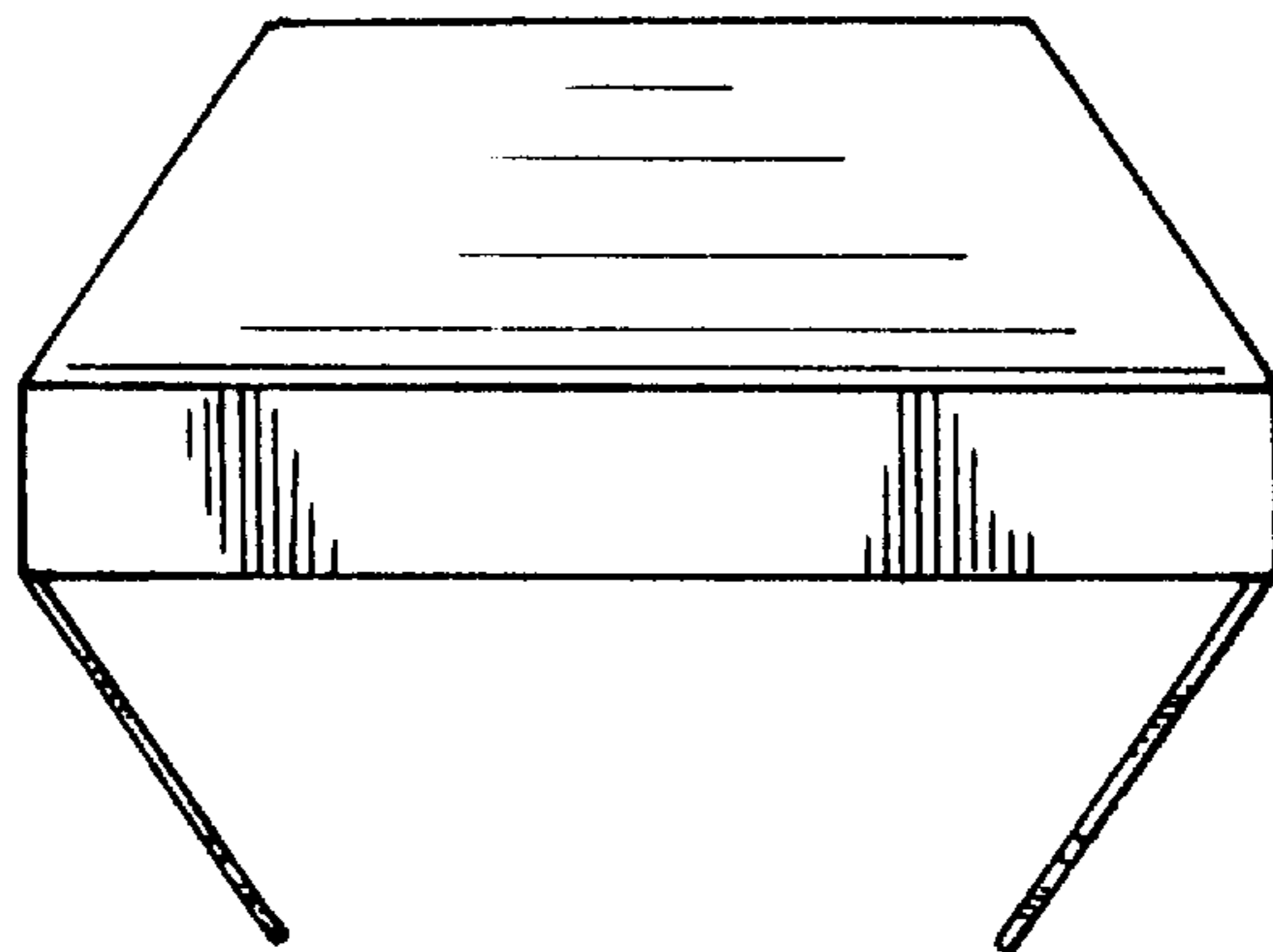


FIG. 10

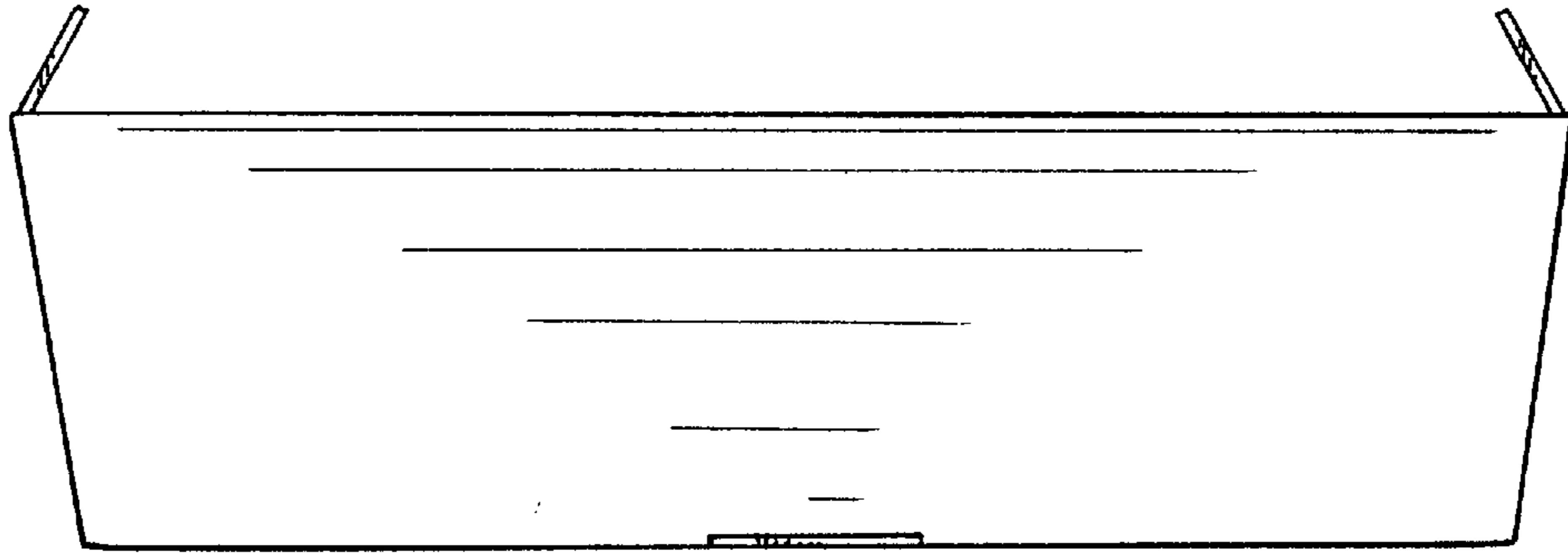


FIG. 11

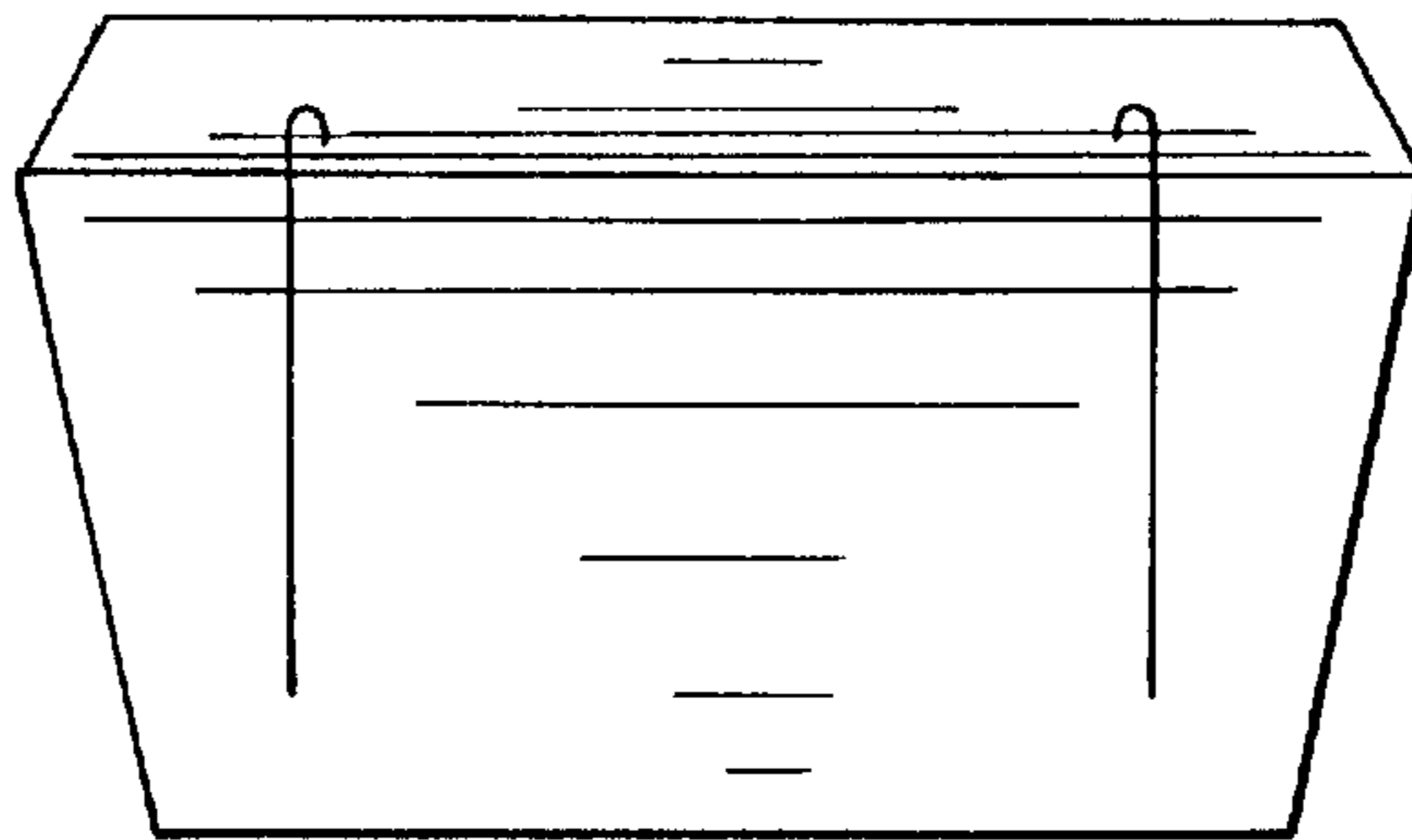


FIG. 12

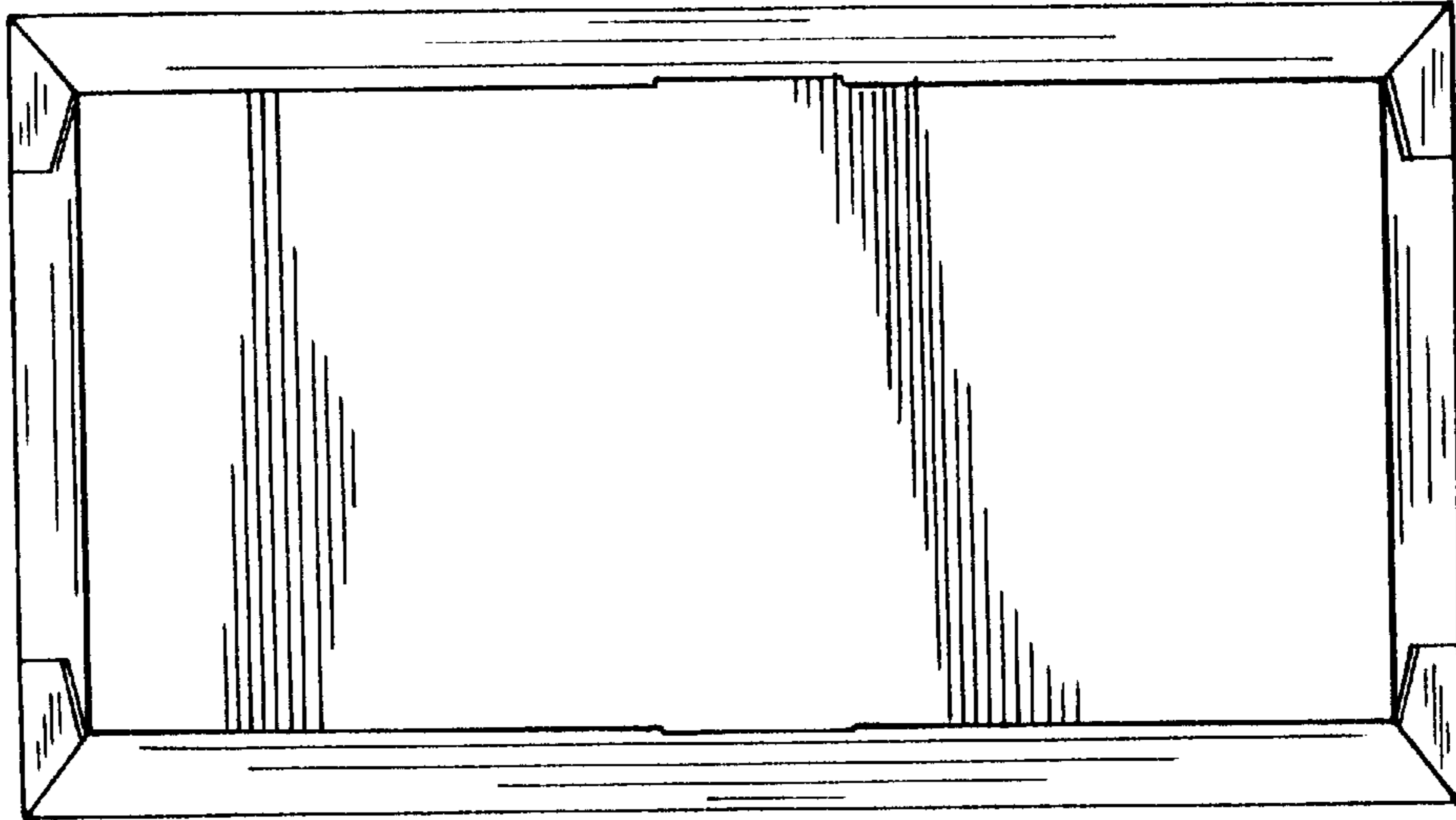


FIG. 13

