



US00D403828S

United States Patent [19]
Greaves et al.

[11] **Patent Number: Des. 403,828**

[45] **Date of Patent: **Jan. 5, 1999**

[54] **HOIST FOR DISABLED PERSONS**

3,940,808 3/1976 Petrini 5/83.1
5,187,822 2/1993 Merry 5/83.1
5,411,044 5/1995 Andolfi 414/921

[75] Inventors: **John Greaves**, Hampshire; **Bruce Edward Somerton**, Gloucestershire, both of England

Primary Examiner—Doris Clark
Attorney, Agent, or Firm—Young & Thompson

[73] Assignee: **Arjo Limited**, Gloucester, England

[57] **CLAIM**

[**] Term: **14 Years**

The ornamental design for a hoist for disabled persons, as shown.

[21] Appl. No.: **54,053**

DESCRIPTION

[22] Filed: **May 6, 1996**

FIG. 1 is a front and side perspective view of a hoist for disabled persons, showing our new design;
FIG. 2 is a front and side perspective view thereof from the side opposite that shown in FIG. 1;
FIG. 3 is a side perspective view thereof showing the side visible in FIG. 1;
FIG. 4 is a side perspective view thereof showing the side opposite that shown in FIG. 3;
FIG. 5 is a rear perspective view thereof;
FIG. 6 is a front perspective view thereof; and,
FIG. 7 is a bottom perspective view thereof.

[30] **Foreign Application Priority Data**

Nov. 4, 1995 [GB] United Kingdom 2051646

[51] **LOC (6) Cl.** **12-05**

[52] **U.S. Cl.** **D34/33**

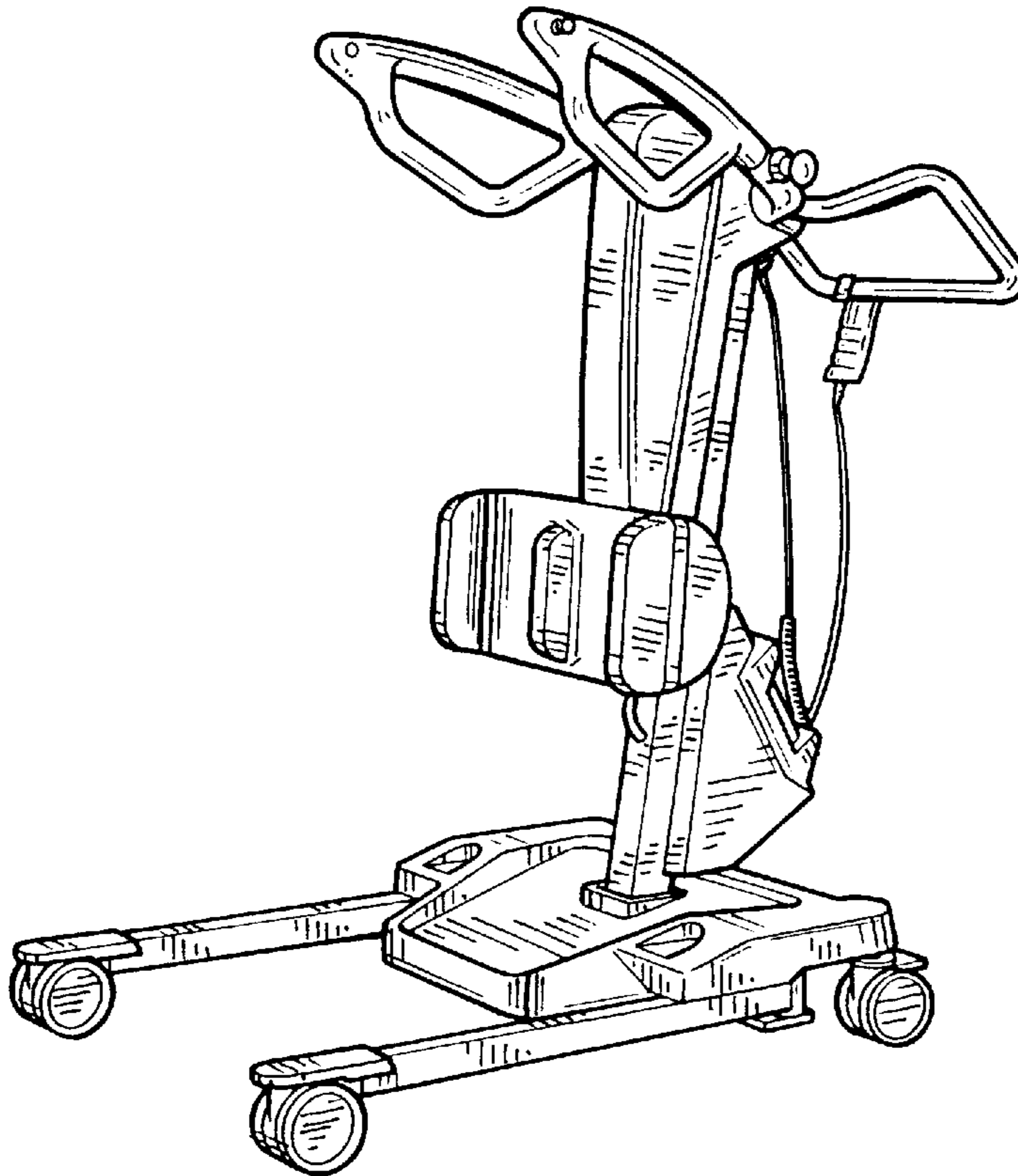
[58] **Field of Search** D34/28; 414/539-541, 414/678, 921; 5/81.12, 81.1, 83.1, 84.1, 89.1; 187/200; 280/79.3, 79.11; 297/DIG. 4

[56] **References Cited**

U.S. PATENT DOCUMENTS

D. 327,762 7/1992 Silbersky et al. D34/28

1 Claim, 4 Drawing Sheets



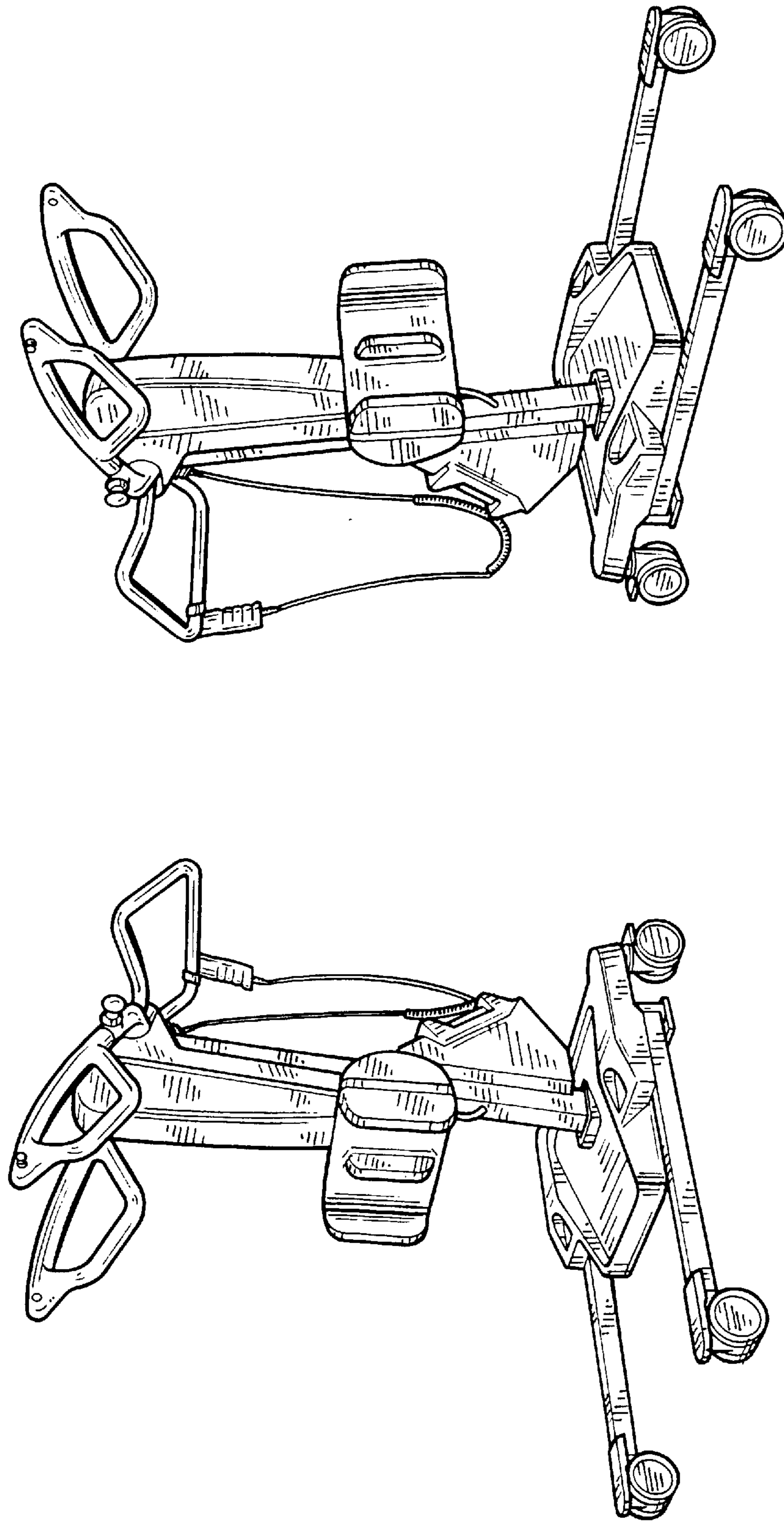


FIG. 2

FIG. 1

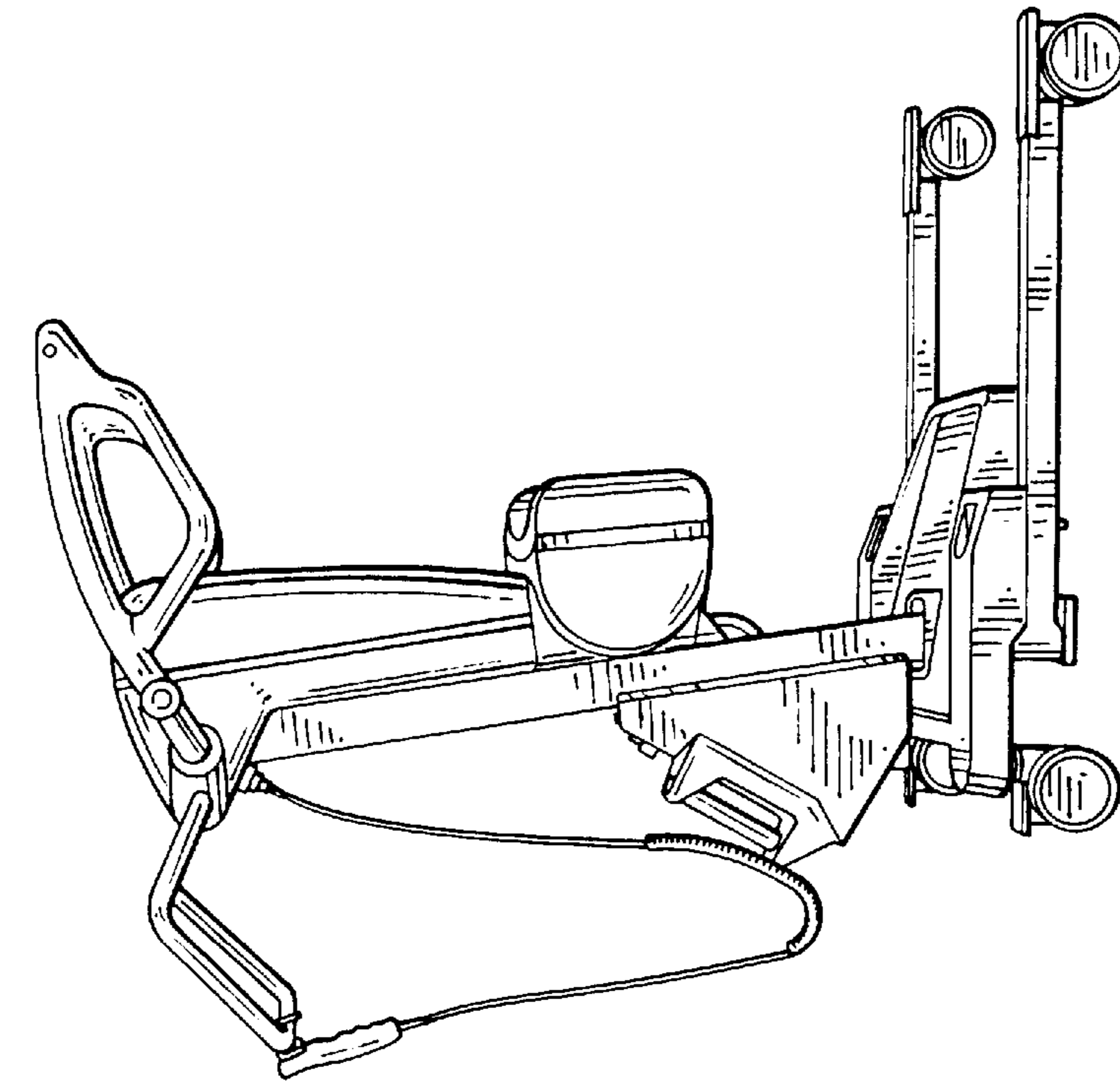


FIG. 4

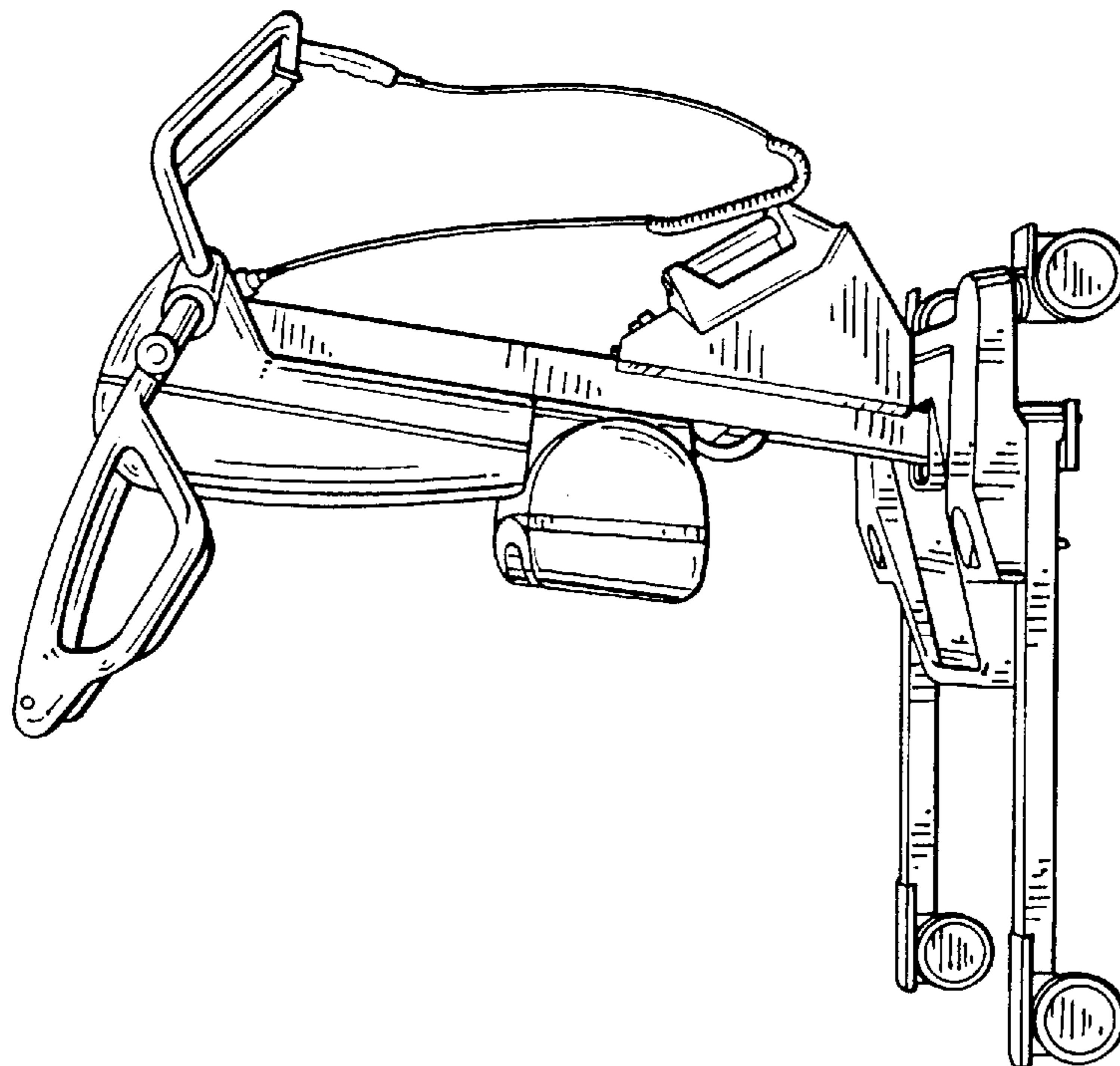


FIG. 3

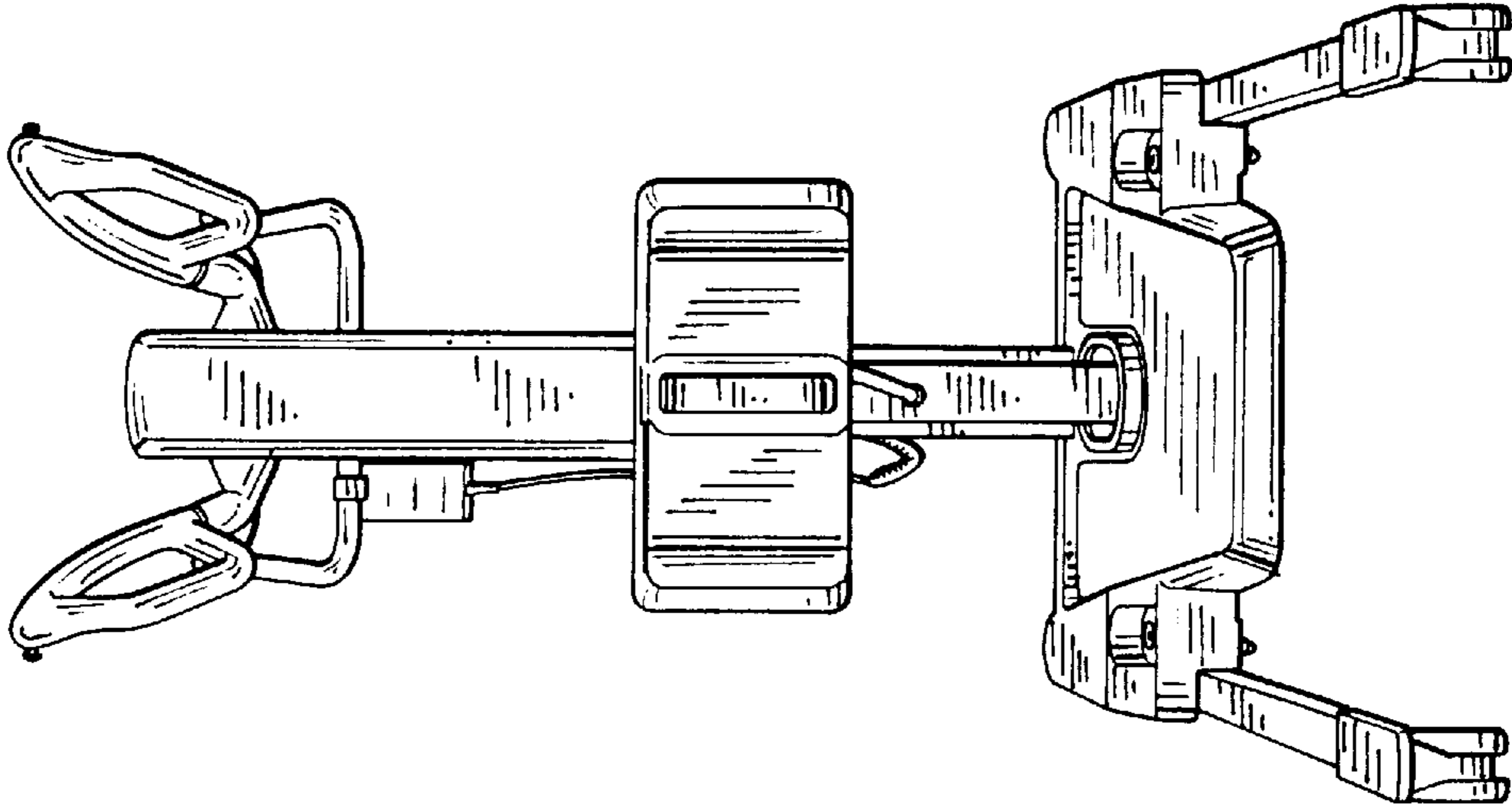


FIG. 6

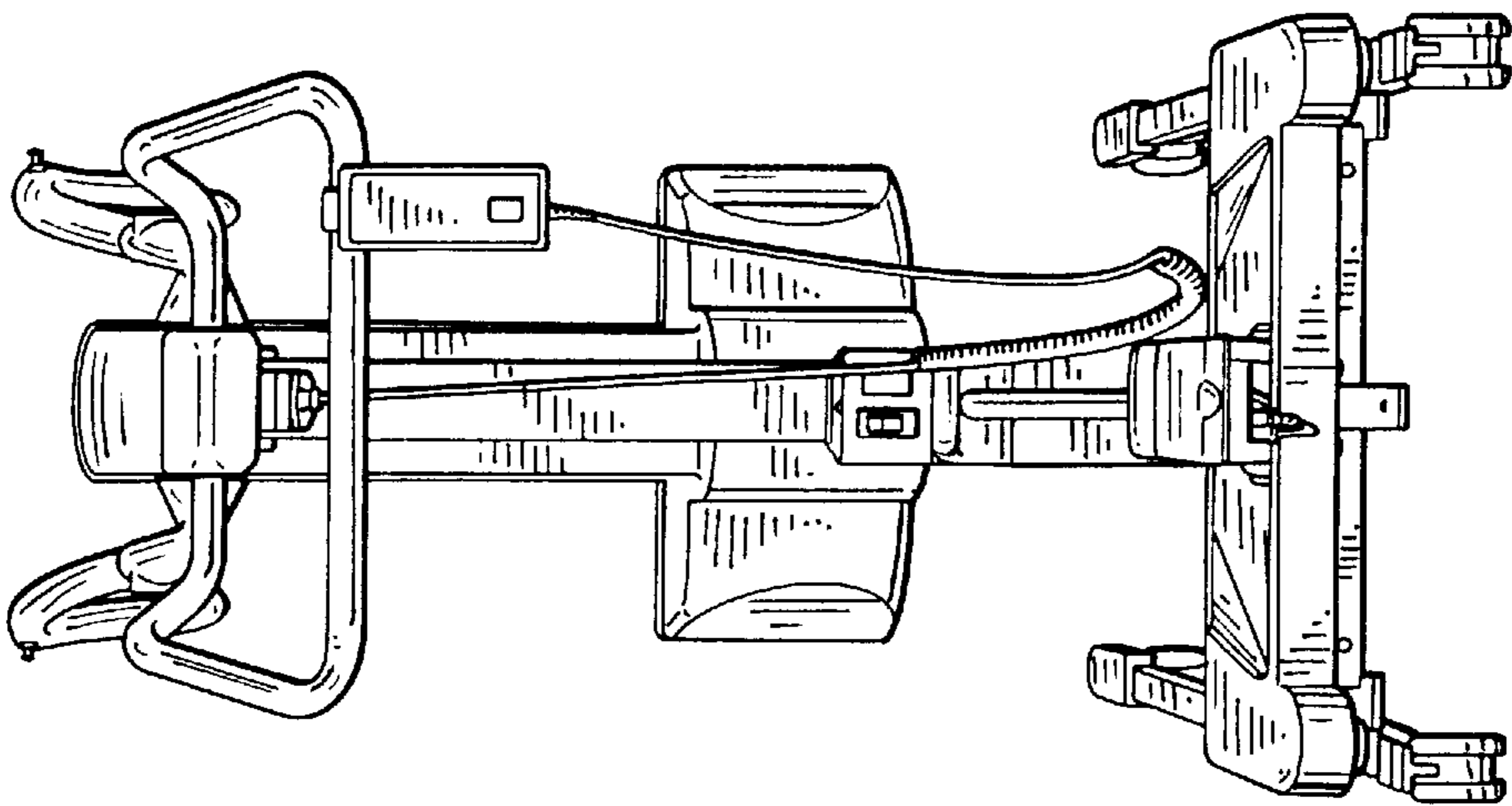


FIG. 5

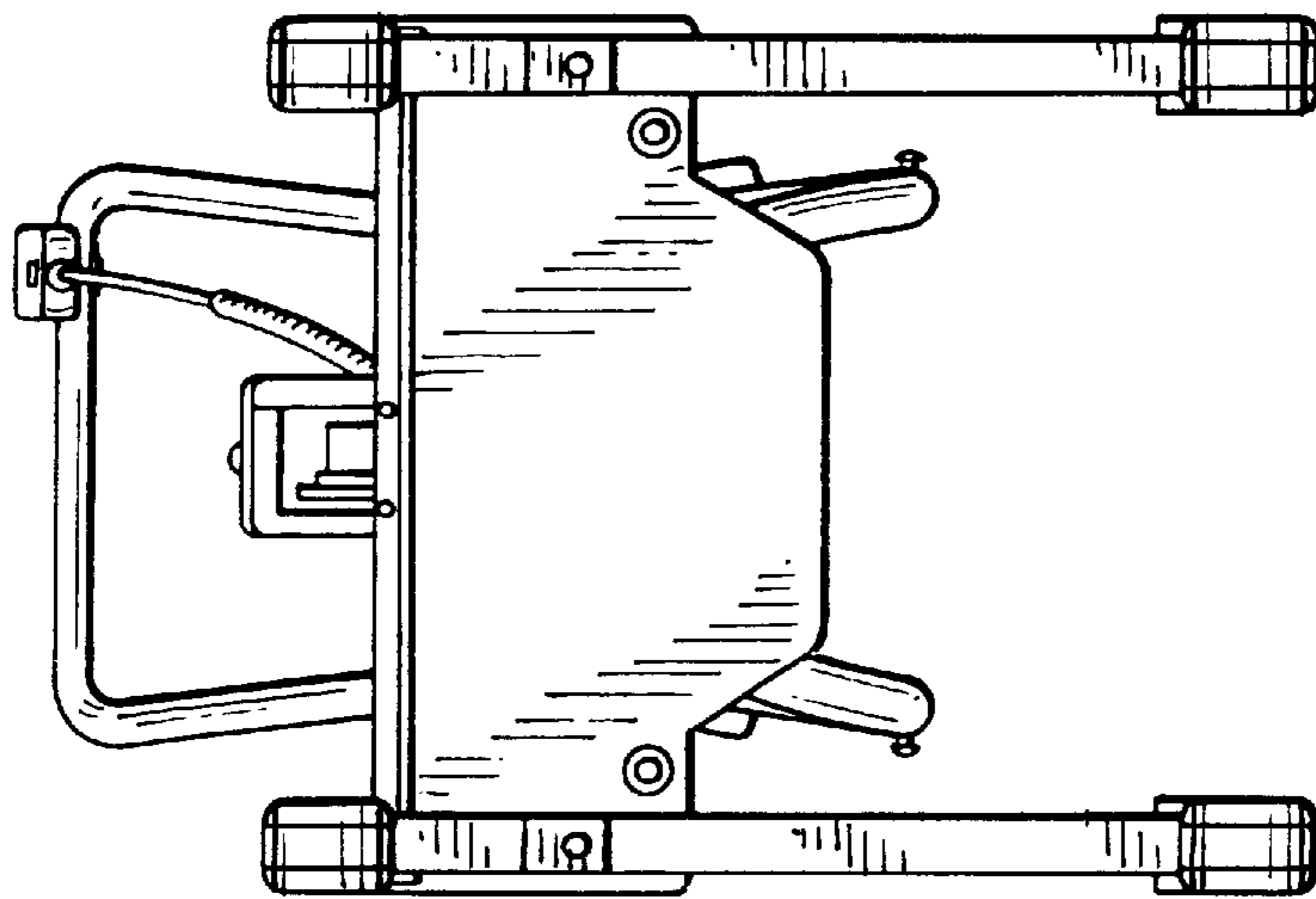


FIG. 7