



US00D403827S

United States Patent [19] Smoker

[11] Patent Number: **Des. 403,827**

[45] Date of Patent: ****Jan. 5, 1999**

[54] **BEACH CART**

[76] Inventor: **Richard K. Smoker**, 15 Winterset Ct.,
W. Grove, Pa. 19390

[**] Term: **14 Years**

[21] Appl. No.: **80,794**

[22] Filed: **Dec. 16, 1997**

[51] **LOC (6) Cl.** **12-02**

[52] **U.S. Cl.** **D34/24; D34/12**

[58] **Field of Search** D34/12-27; 280/30,
280/640, 643, 652, 47.18, 47.32, 654, 655,
659, 648, 37, 47.23; D6/336

[56] **References Cited**

U.S. PATENT DOCUMENTS

D. 285,871	9/1986	Sbenwall	D6/336
3,558,157	1/1971	Neumann	280/652
4,865,346	9/1989	Carlile	280/654
5,056,804	10/1991	Wilson et al.	280/30
5,062,653	11/1991	Deglis et al.	280/648
5,197,784	3/1993	Ward	280/655
5,362,079	11/1994	Graham	280/47.23

Primary Examiner—Kay H. Chin

Attorney, Agent, or Firm—Goldstein & Canino

[57] **CLAIM**

The ornamental design for a beach cart, as shown and described.

DESCRIPTION

FIG. 1 is a diagrammatic perspective view of the beach cart shown in a covered position in full lines accessories shown in broken lines representing environmental association matter being for illustrative purposes only and forming no part of the claimed invention;

FIG. 2 is a diagrammatic perspective view of the beach cart shown uncovered in full lines with beach accessories shown in broken lines representing environmental association matter being for illustrative purposes only and forming no part of the claimed invention;

FIG. 3 is a right side elevational view of the beach cart in the covered position, the left side view being a mirror image of the right side view;

FIG. 4 is a front elevational view of the beach cart in the covered position;

FIG. 5 is a rear elevational view thereof;

FIG. 6 is a top plan view of the beach cart; and,

FIG. 7 is a bottom plan view thereof.

1 Claim, 6 Drawing Sheets

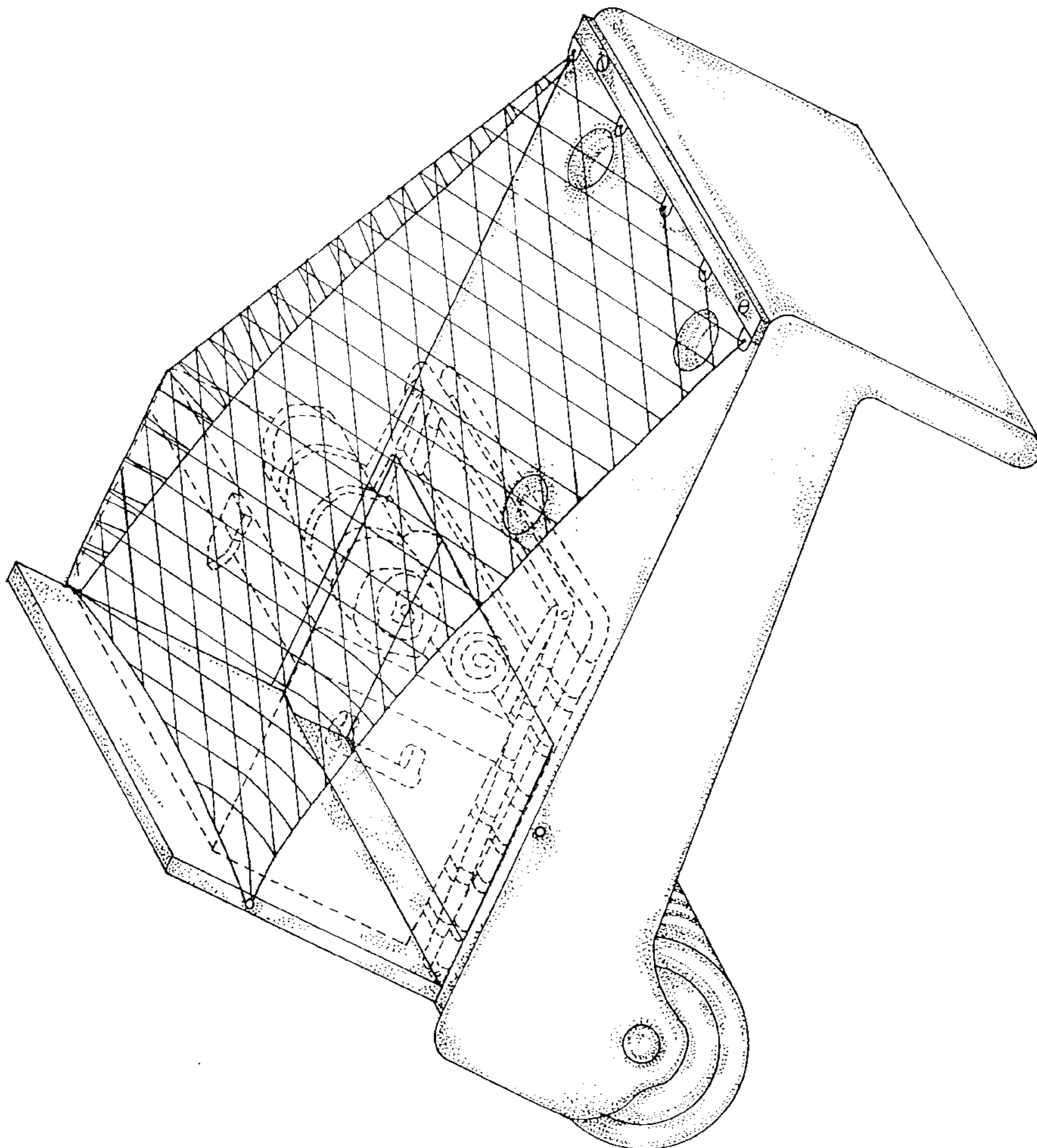
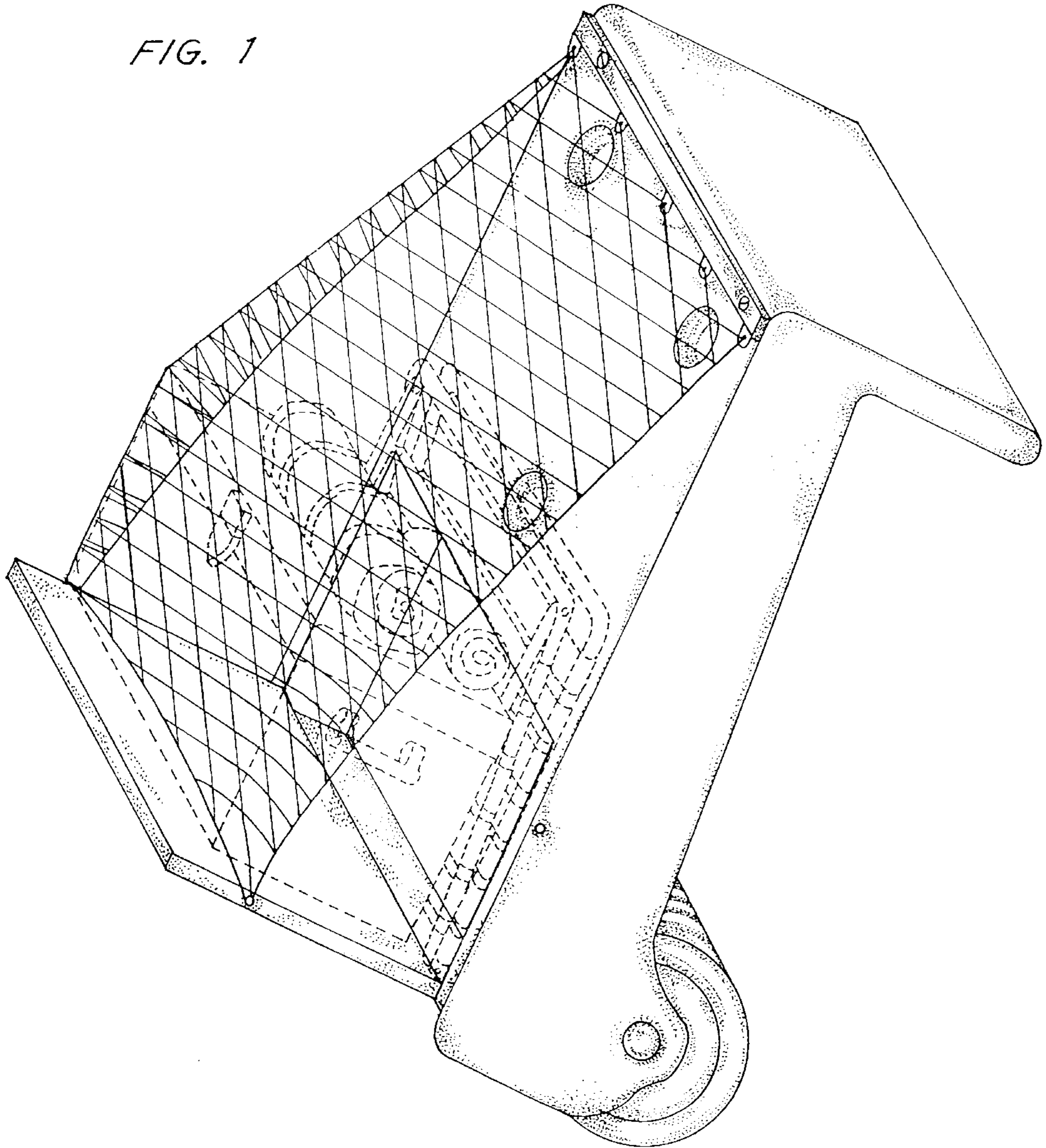


FIG. 1



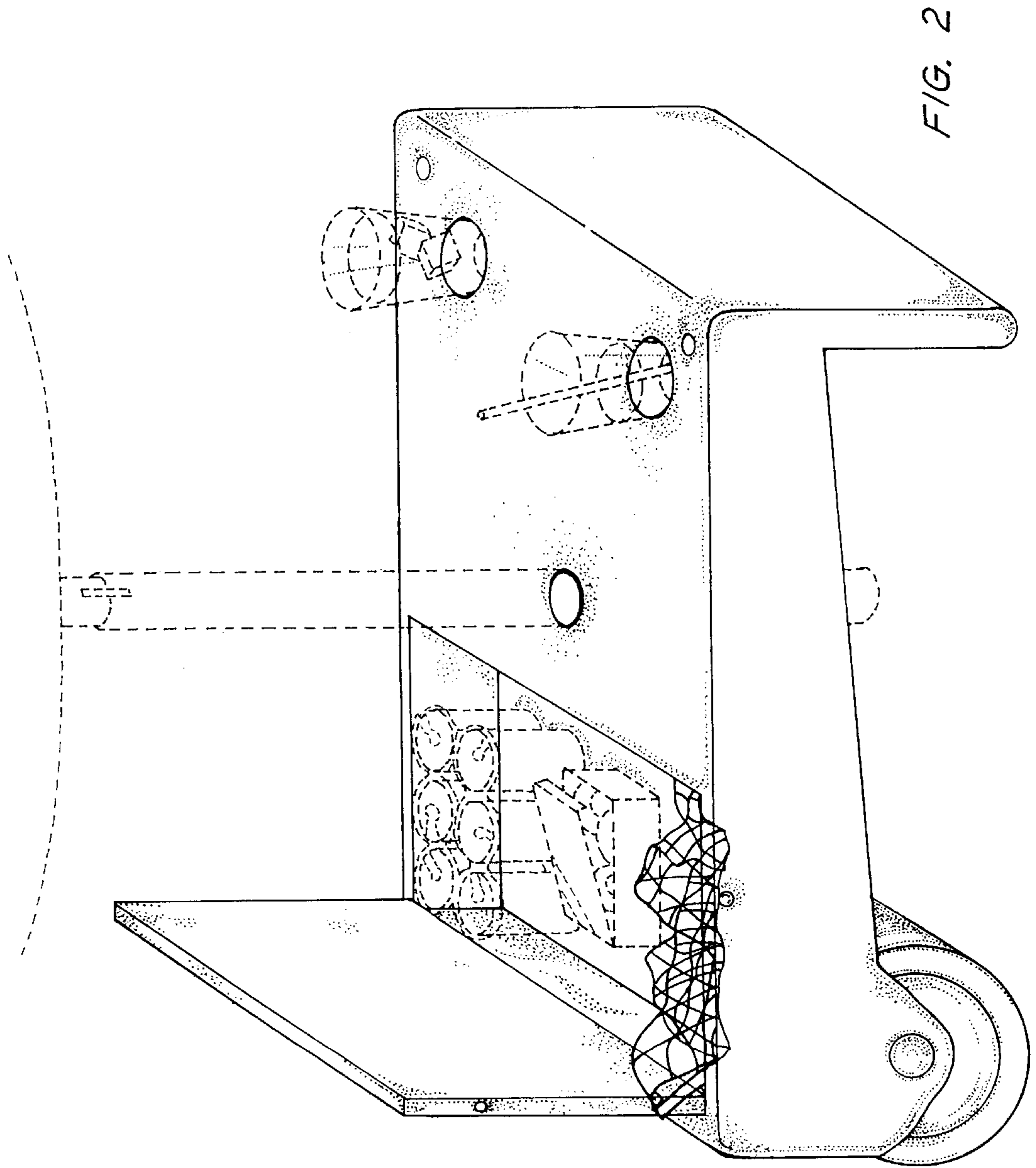


FIG. 3

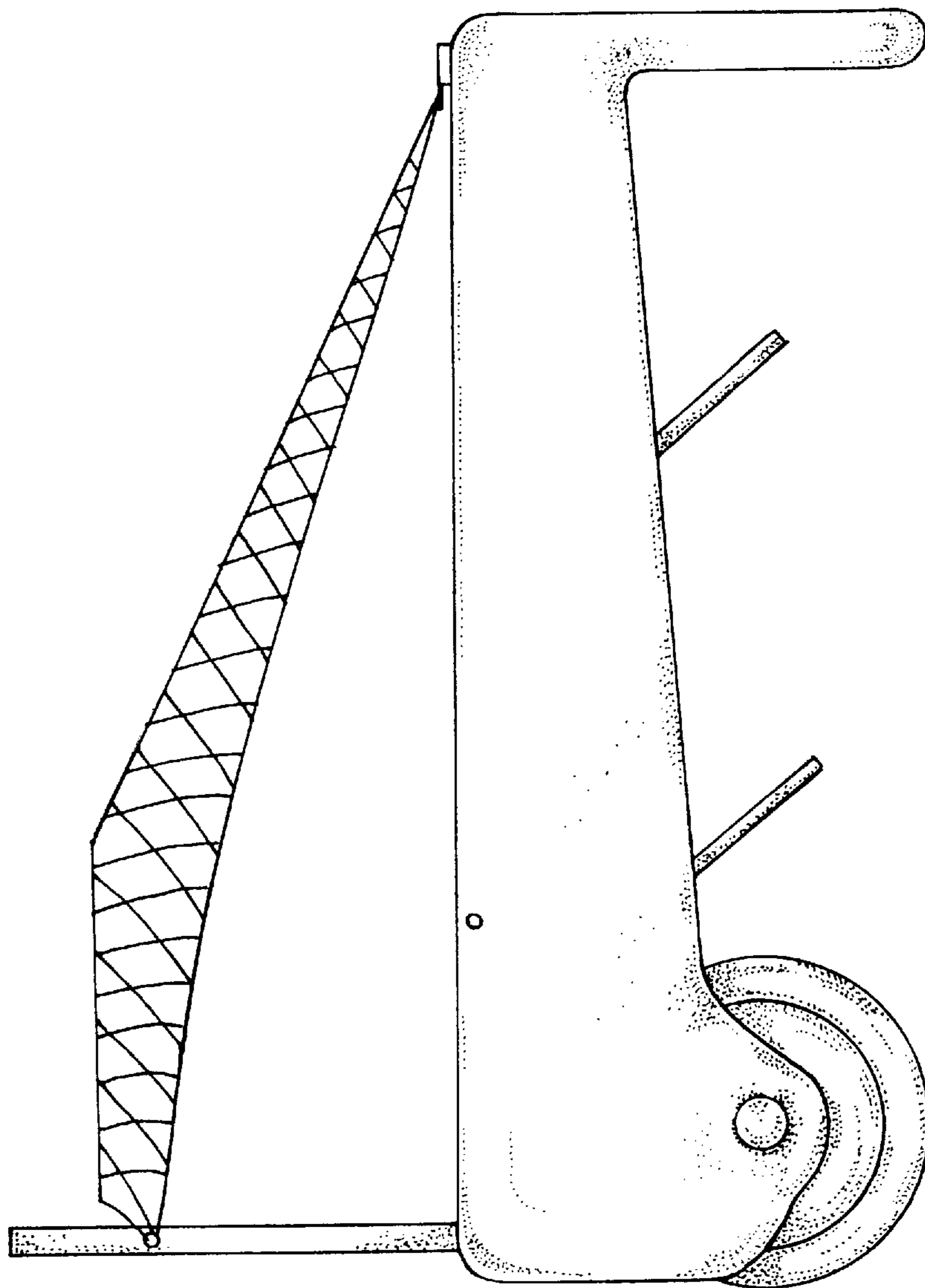


FIG. 4

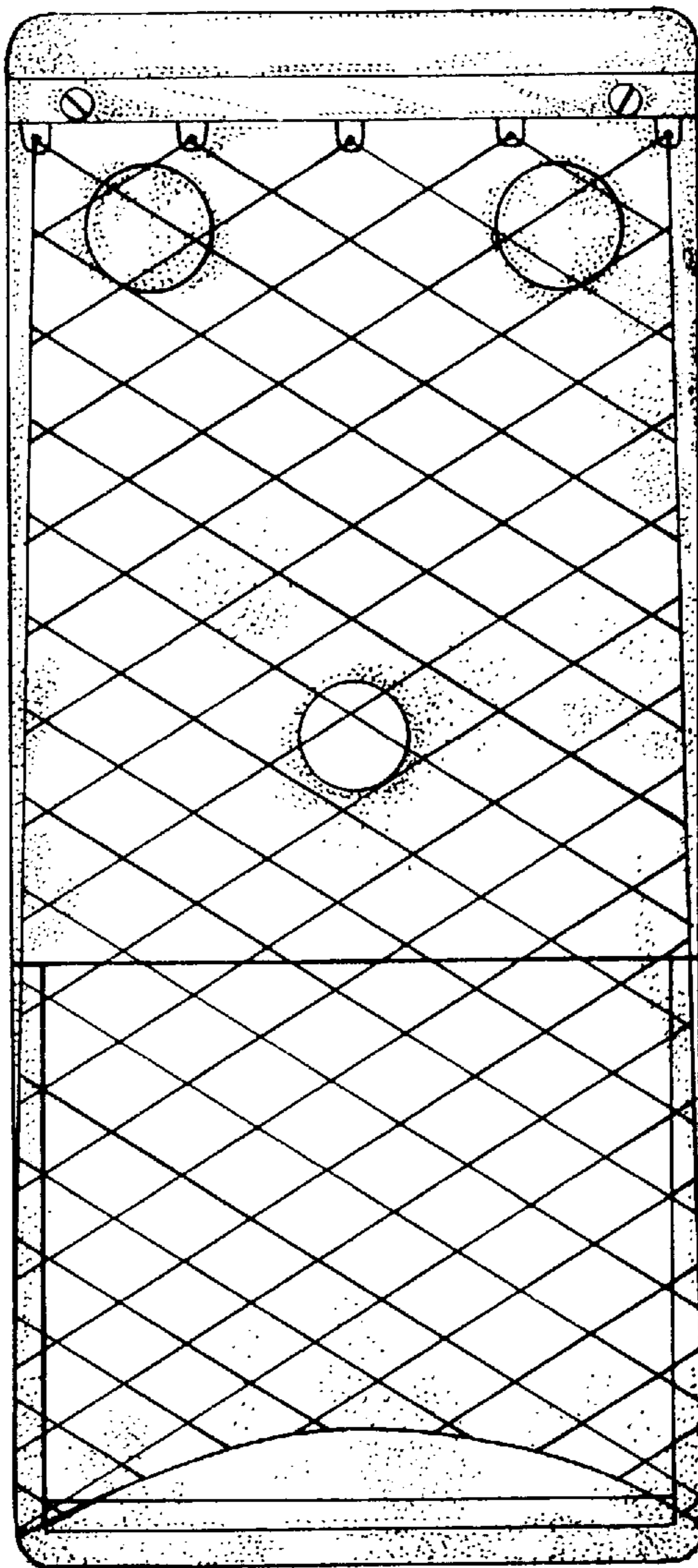


FIG. 5

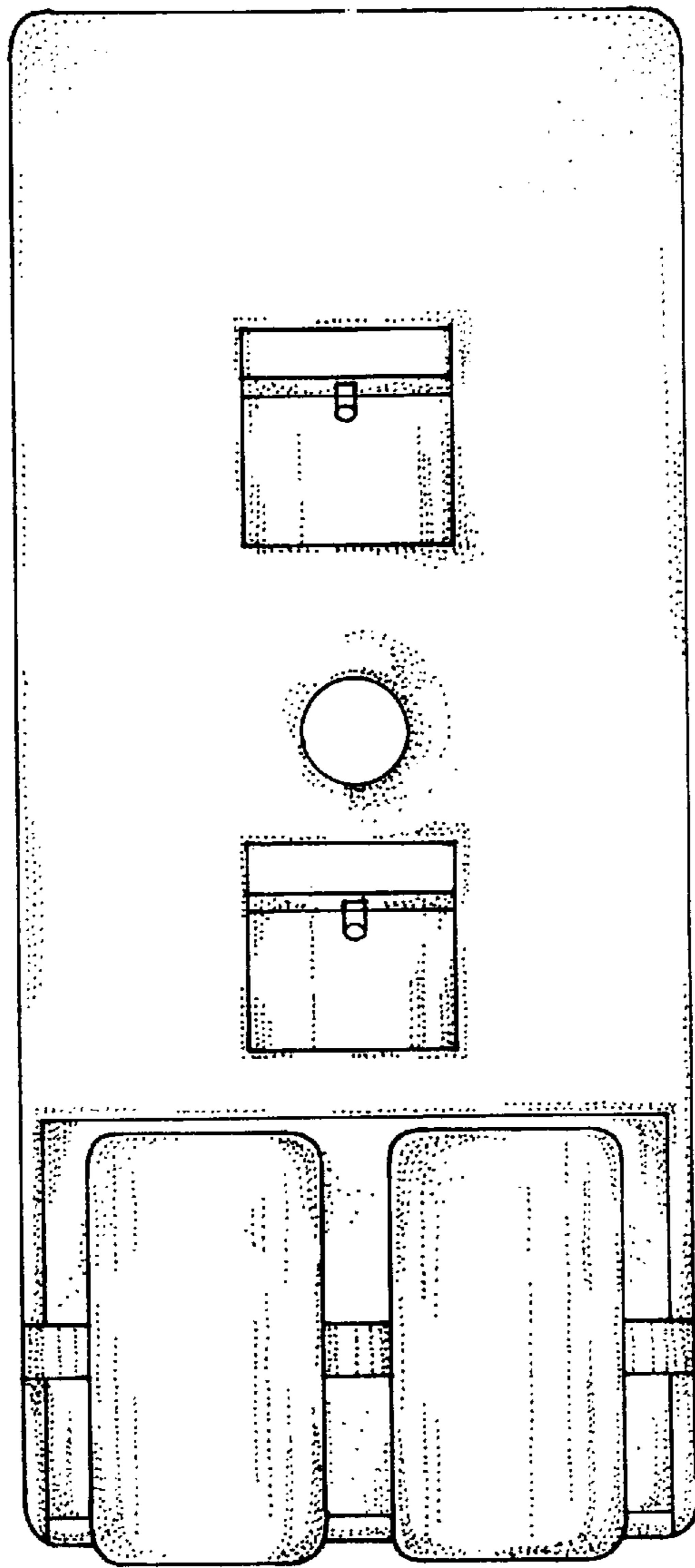


FIG. 7

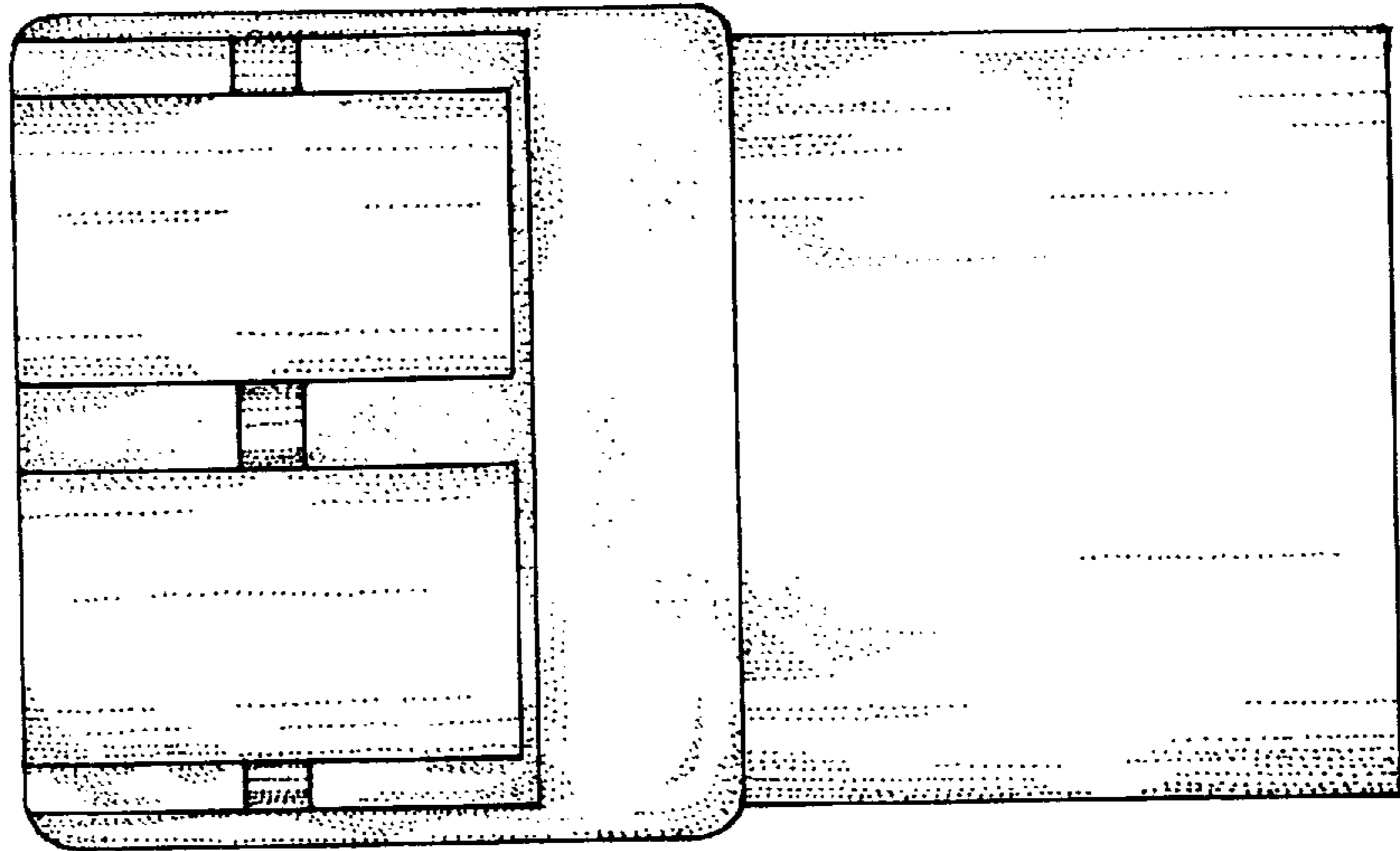


FIG. 6

