



US00D403826S

United States Patent [19]

[11] **Patent Number: Des. 403,826**

Tisbo et al.

[45] **Date of Patent: **Jan. 5, 1999**

[54] **GARDENING CENTER**

[75] Inventors: **Thomas A. Tisbo**, Barrington Hills;
Torrence C. Anderson; Michael R. Vogler, both of Aurora, all of Ill.

[73] Assignee: **Suncast Corporation**, Batavia, Ill.

[**] Term: **14 Years**

[21] Appl. No.: **65,656**

[22] Filed: **Jan. 31, 1997**

[51] **LOC (6) Cl.** **12-02**

[52] **U.S. Cl.** **D34/24; D34/21; D6/474**

[58] **Field of Search** **D34/12-27; 280/47.34, 280/47.35, 47.19, 47.26; D6/462, 445, 474, 449, 446, 430**

[56] **References Cited**

U.S. PATENT DOCUMENTS

D. 355,515	2/1995	Spear et al.	D34/16
D. 366,746	1/1996	Jones	D6/473
5,615,903	4/1997	Spear et al.	280/47.19

OTHER PUBLICATIONS

Gardeners Eden Summer 1996, Workbench 36"×33"H—At \$198.

Gardeners Eden Summer 1996, Picket Fence Workbench π84-1053032 At \$225.

Dick Blick, Workbenches (prior to the application filing date).

Gardener's Supply Company Spring 1996, Cedar Potting Bench at \$280.

Primary Examiner—Kay H. Chin

Attorney, Agent, or Firm—Thomas W. Tolpin

[57] **CLAIM**

The ornamental designs for a gardening center, as shown and described.

DESCRIPTION

FIG. 1 is a perspective view of a gardening center showing our new design;

FIG. 2 is a front view thereof;

FIG. 3 is a back view thereof;

FIG. 4 is a right side view thereof;

FIG. 5 is a left side view thereof;

FIG. 6 is a top view thereof;

FIG. 7 is a bottom view thereof; and,

FIG. 8 is a perspective view thereof without a riser shelf, side panels, cutting board, grate, and bin.

1 Claim, 7 Drawing Sheets

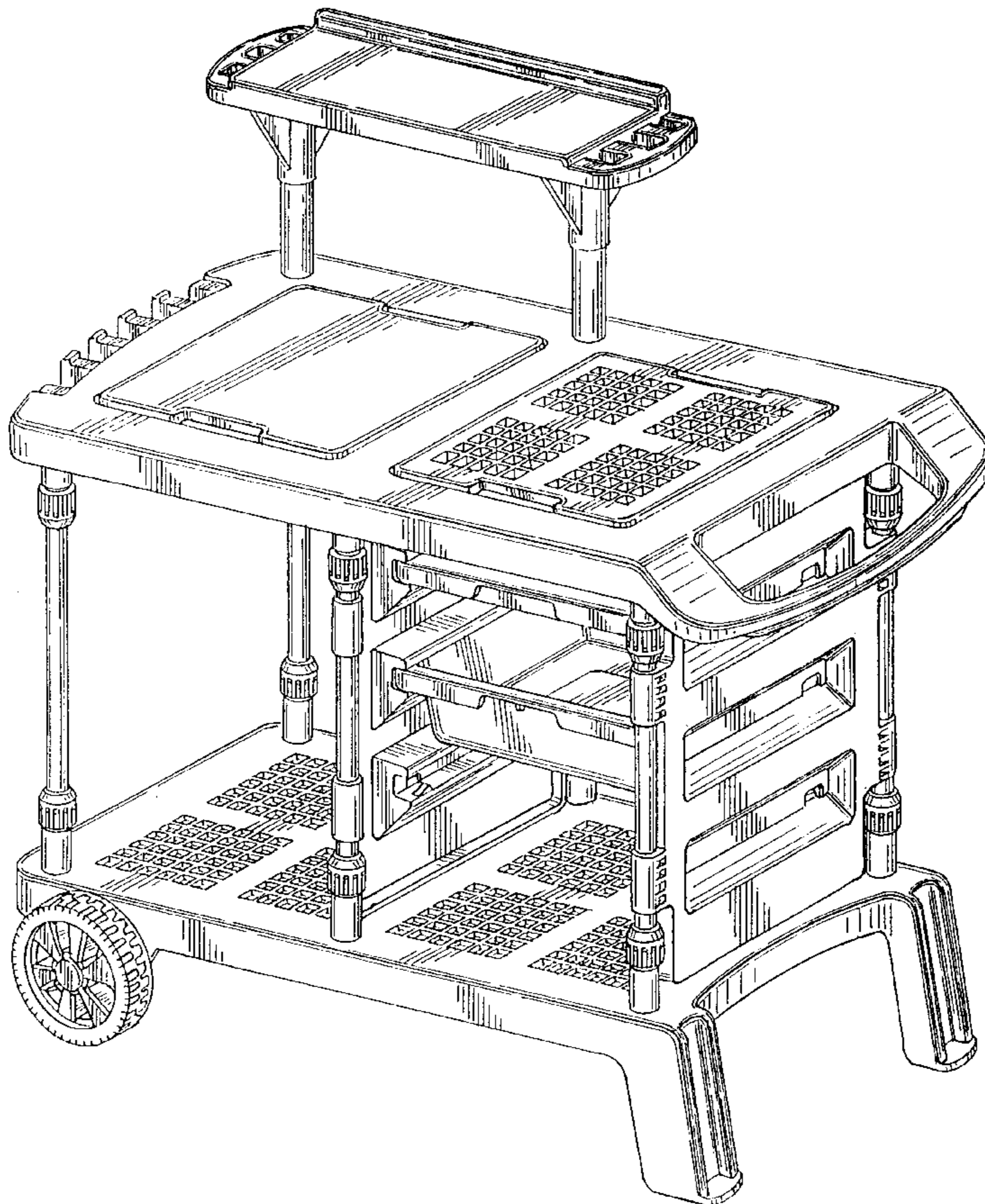
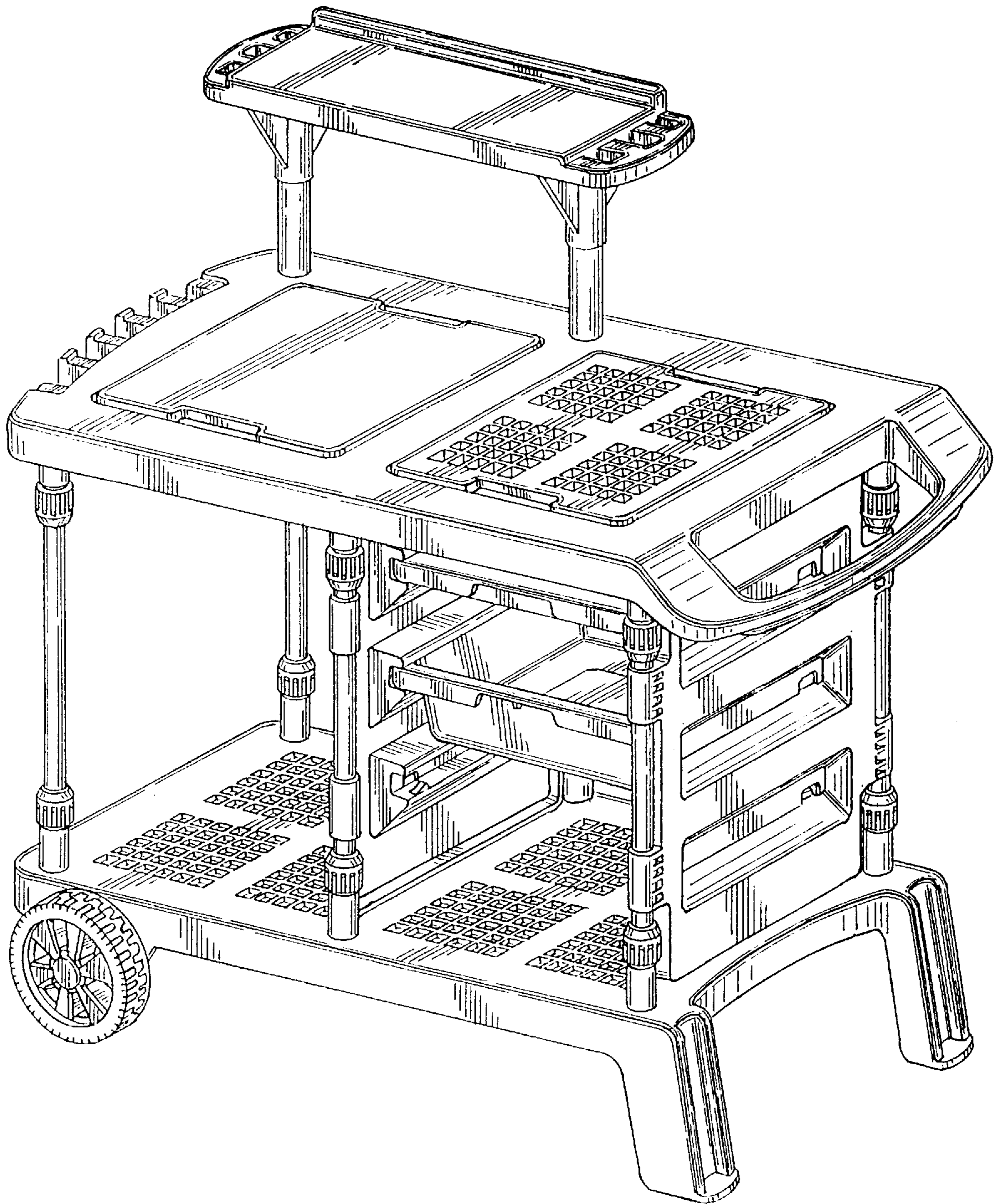


FIG. 1



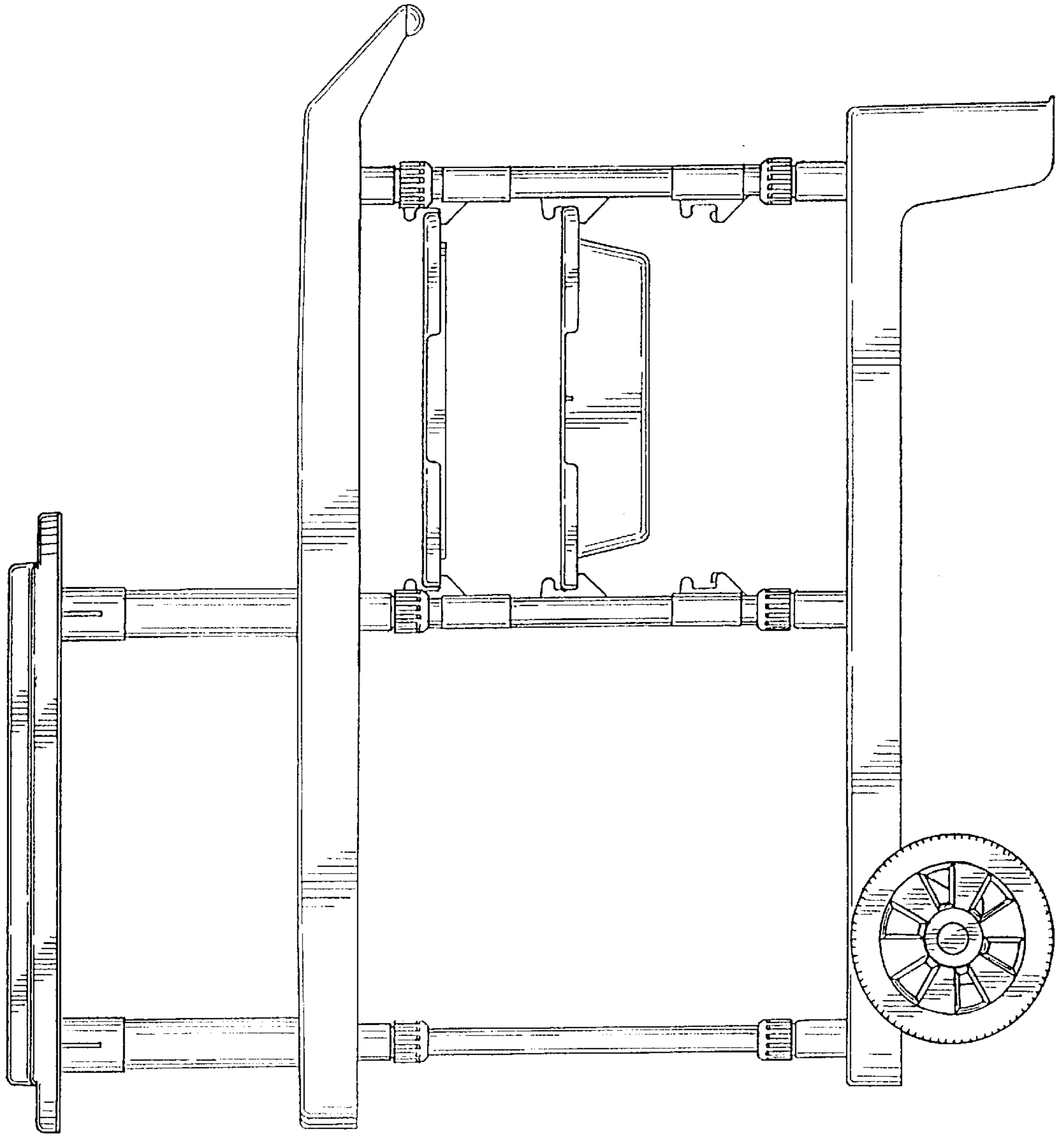


FIG.2

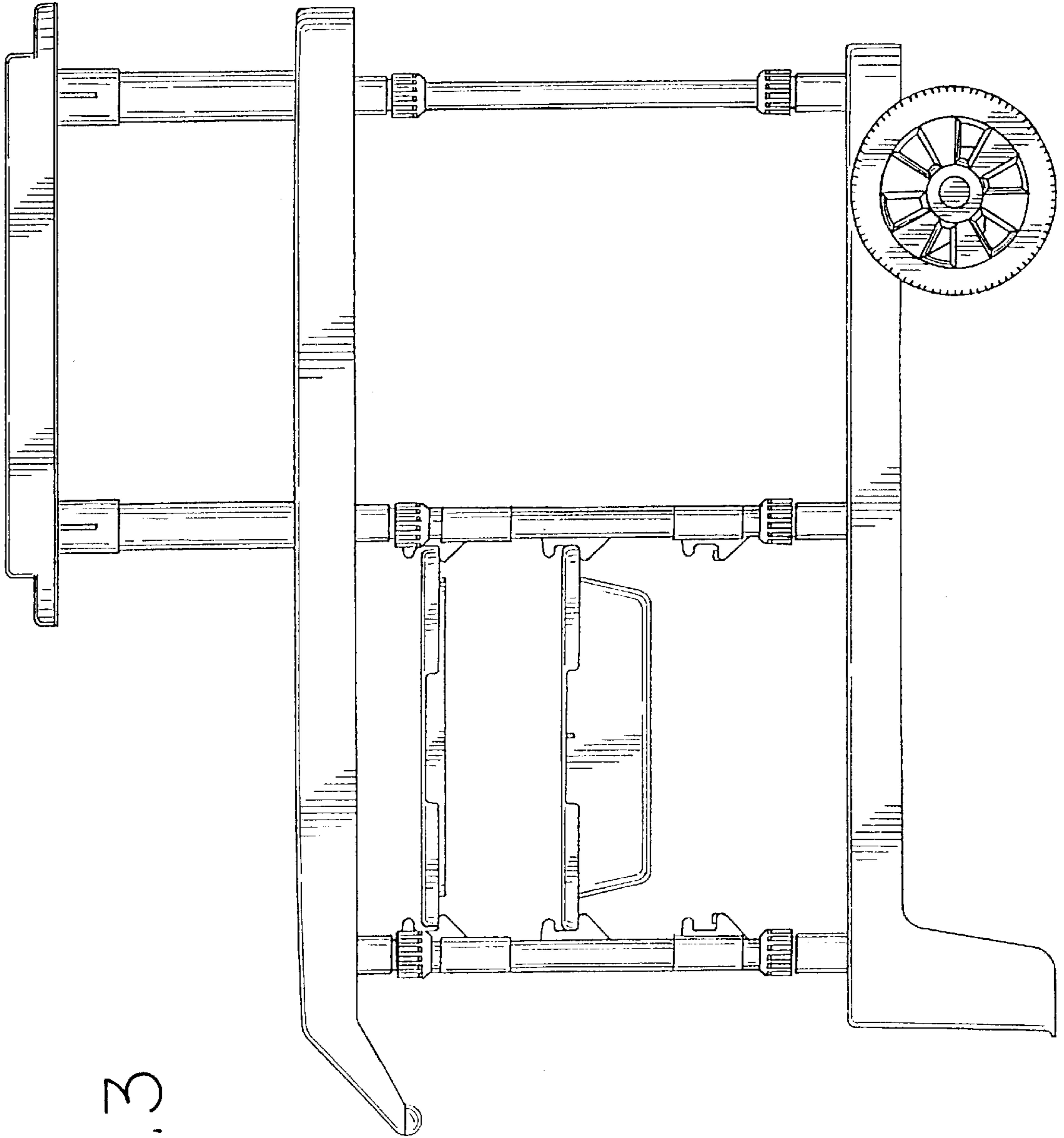


FIG. 3

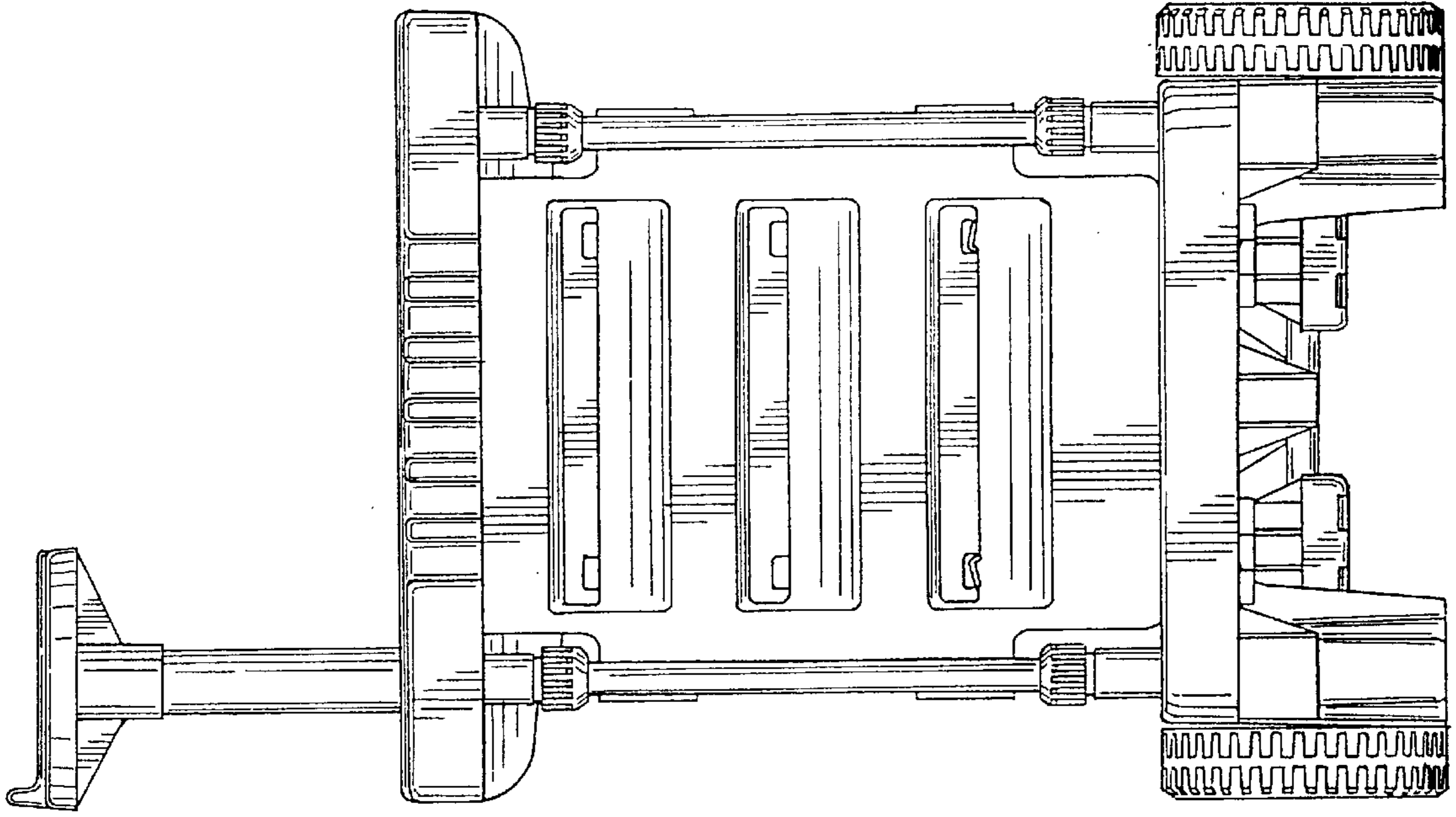


FIG. 5

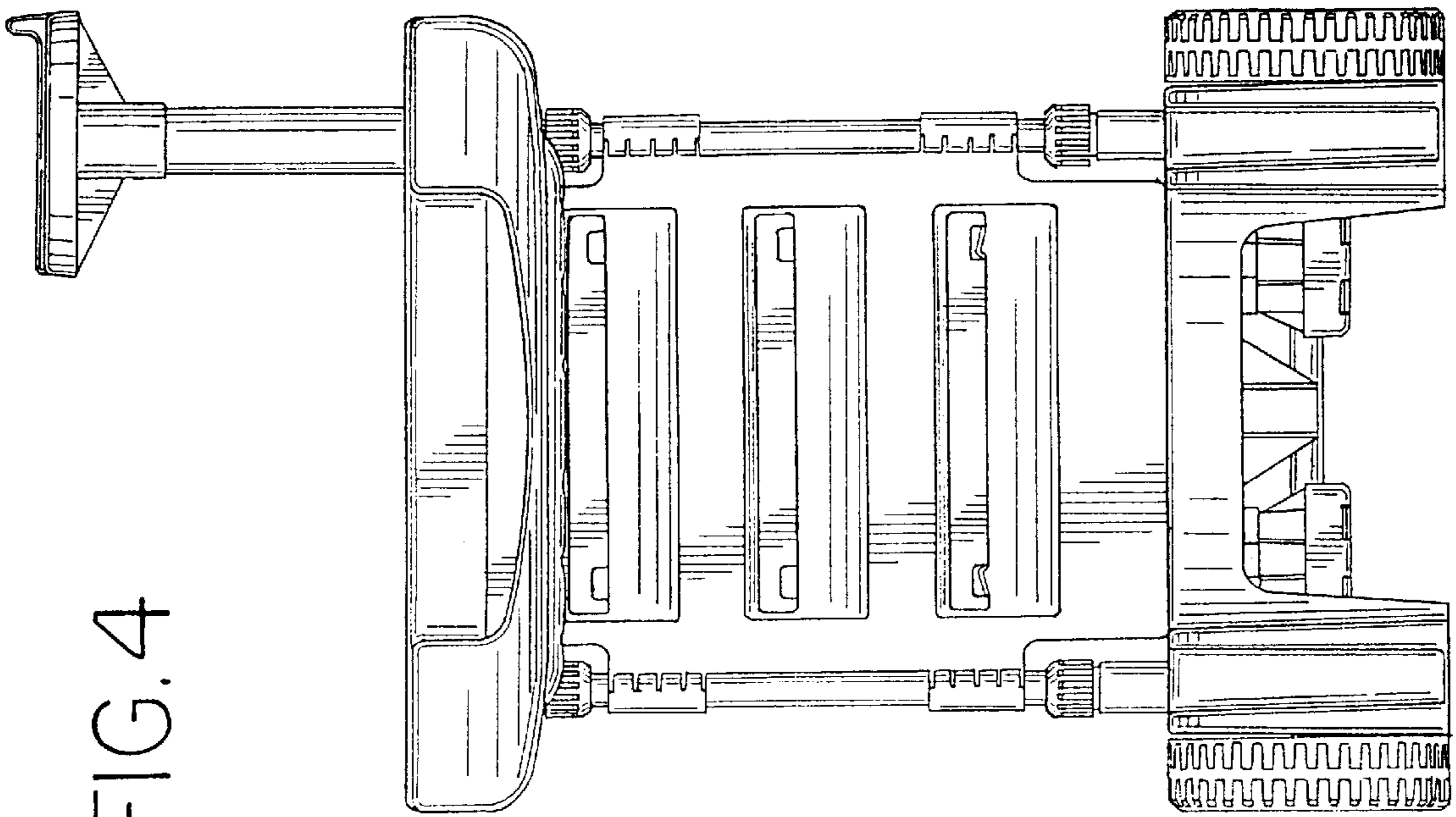


FIG. 4

FIG. 6

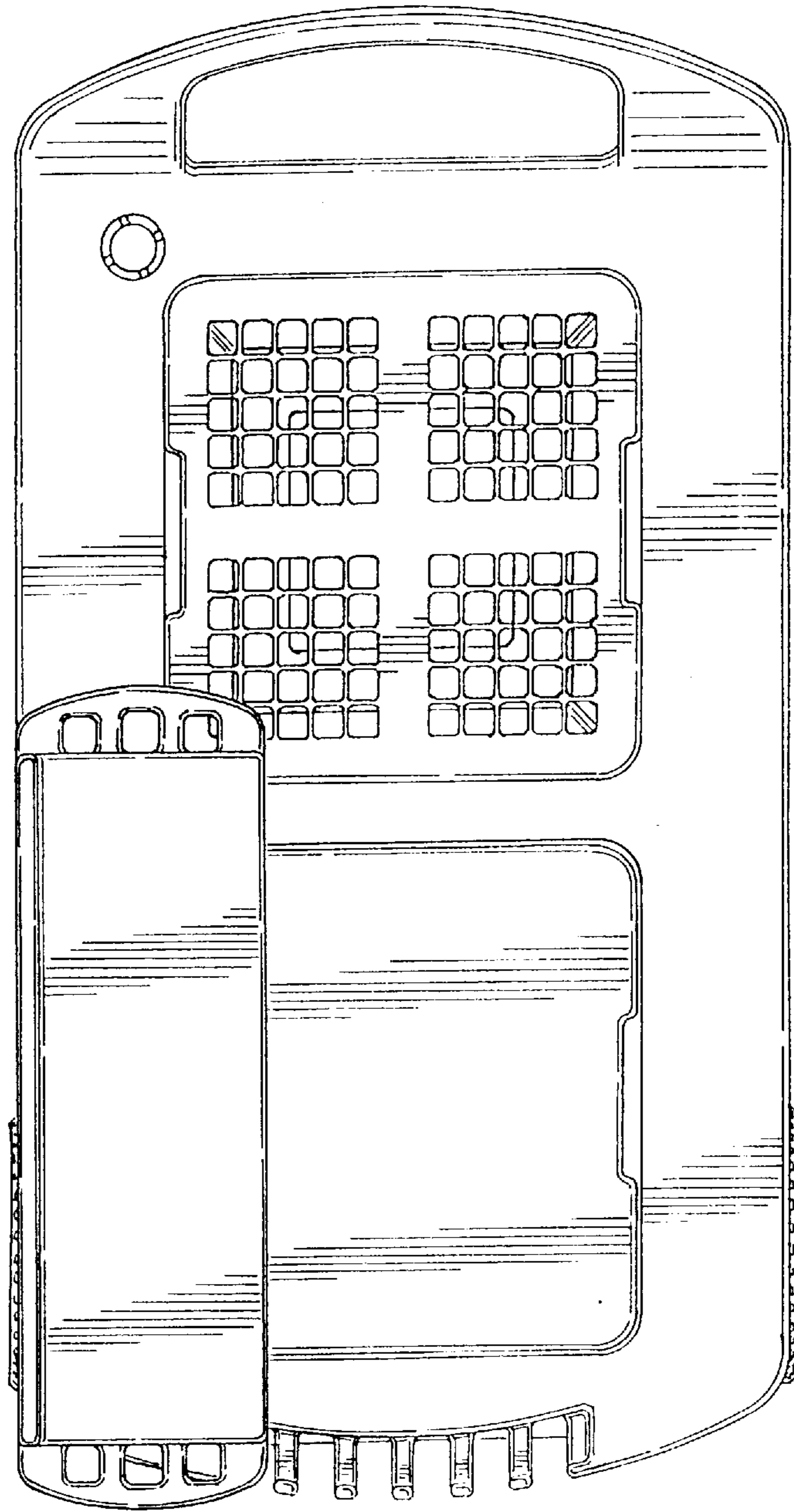


FIG. 7

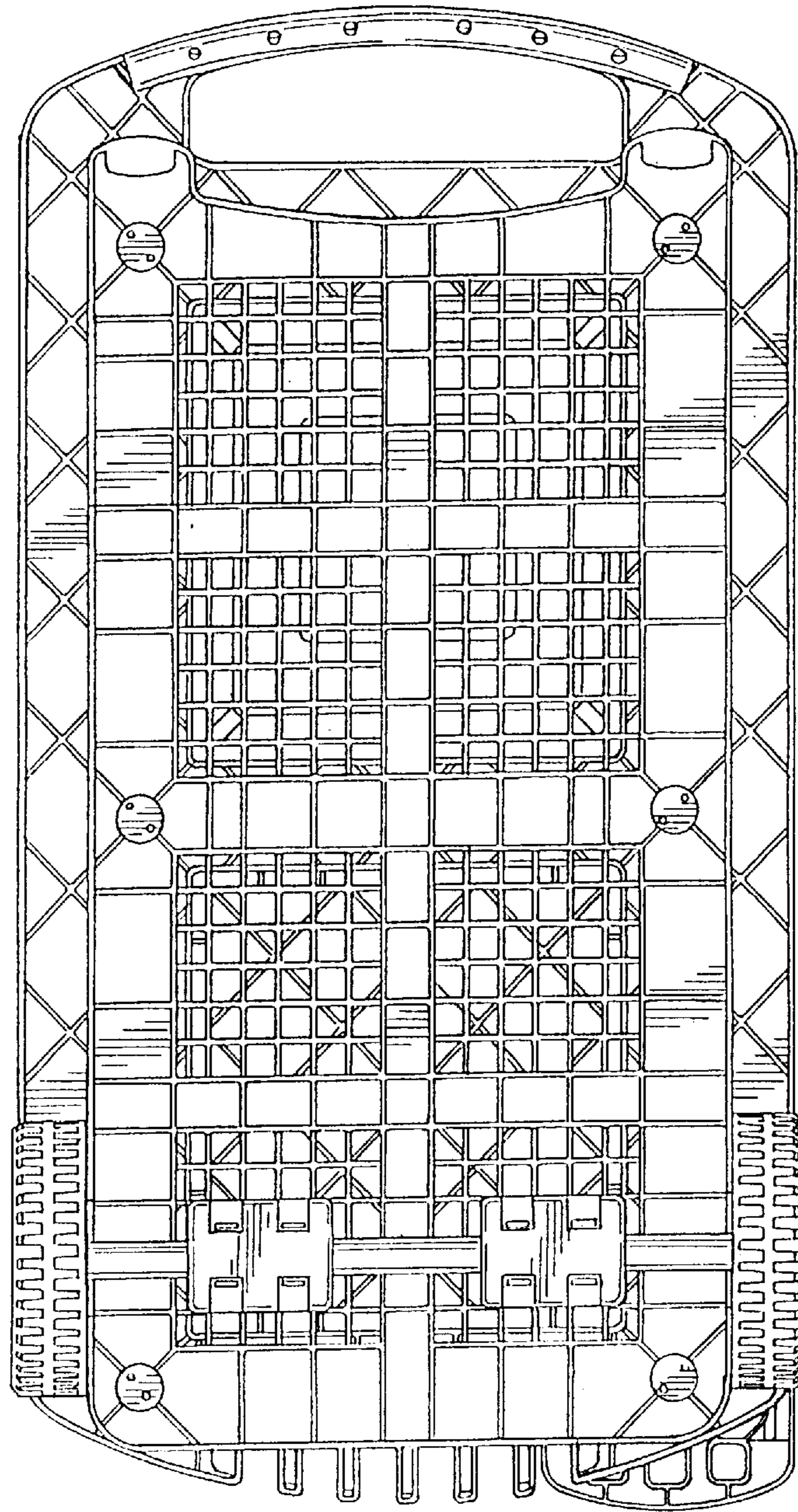


FIG. 8

