



US00D403825S

United States Patent [19] Harris

[11] **Patent Number: Des. 403,825**

[45] **Date of Patent: **Jan. 5, 1999**

[54] **CREEPER**

[75] Inventor: **Roger D. Harris**, Kettering, Ohio

[73] Assignee: **Whiteside Mfg. Co.**, Delaware, Ohio

[**] Term: **14 Years**

[21] Appl. No.: **88,336**

[22] Filed: **May 21, 1998**

[51] **LOC (6) Cl. 12-02**

[52] **U.S. Cl. D34/23**

[58] **Field of Search D34/12, 23; 280/32.6, 280/32.5, 79.11, 43.24**

[56] **References Cited**

U.S. PATENT DOCUMENTS

D. 230,971	3/1974	Shanklin	D14/3 M
D. 299,076	12/1988	Whiteside	D34/23
D. 325,799	4/1992	Chen	D34/23
D. 330,619	10/1992	Gilbert et al.	D34/23
D. 335,733	5/1993	Zimmer	D34/23
D. 351,707	10/1994	Pill	D34/23
D. 371,662	7/1996	Vosbikian et al.	D34/23
D. 384,466	9/1997	Taylor	D34/23
D. 396,920	8/1998	Whiteside et al.	D34/23
5,174,592	12/1992	Pool	280/32.6
5,330,209	7/1994	Pool	280/32.6
5,472,219	12/1995	Eckstrum	280/32.6

OTHER PUBLICATIONS

Rel Products Incorporated advertisement, cover and 2 pages (undated).

P&B Mfg. Co. "Blue Max" advertisement, 1 page (1990).

Lisle "Creepers" advertisement, pp. 44 and 45 (undated).

E-Z Red "E-Z Rider" advertisement, 1 page (undated).

Wilmar Corporation "PT Performance Tool" product catalog, 2 pages (1996).

Petersen Automotive—Flambeau advertisement, 2 pages (undated).

United Auto Systems (Mack Tools) "Creepers" advertisement, 1 page (undated).

Whiteside Catalog advertisement, cover and 4 pages (1993).

Whiteside Catalog advertisement, cover and 3 pages (1995).

Primary Examiner—Kay H. Chin

Attorney, Agent, or Firm—Renner, Kenner, Greive, Bobak, Taylor & Weber

[57] **CLAIM**

The ornamental design for a creeper, as shown and described.

DESCRIPTION

FIG. 1 is a top, left side, front elevational view of a creeper showing my new design;

FIG. 2 is a back elevational view thereof;

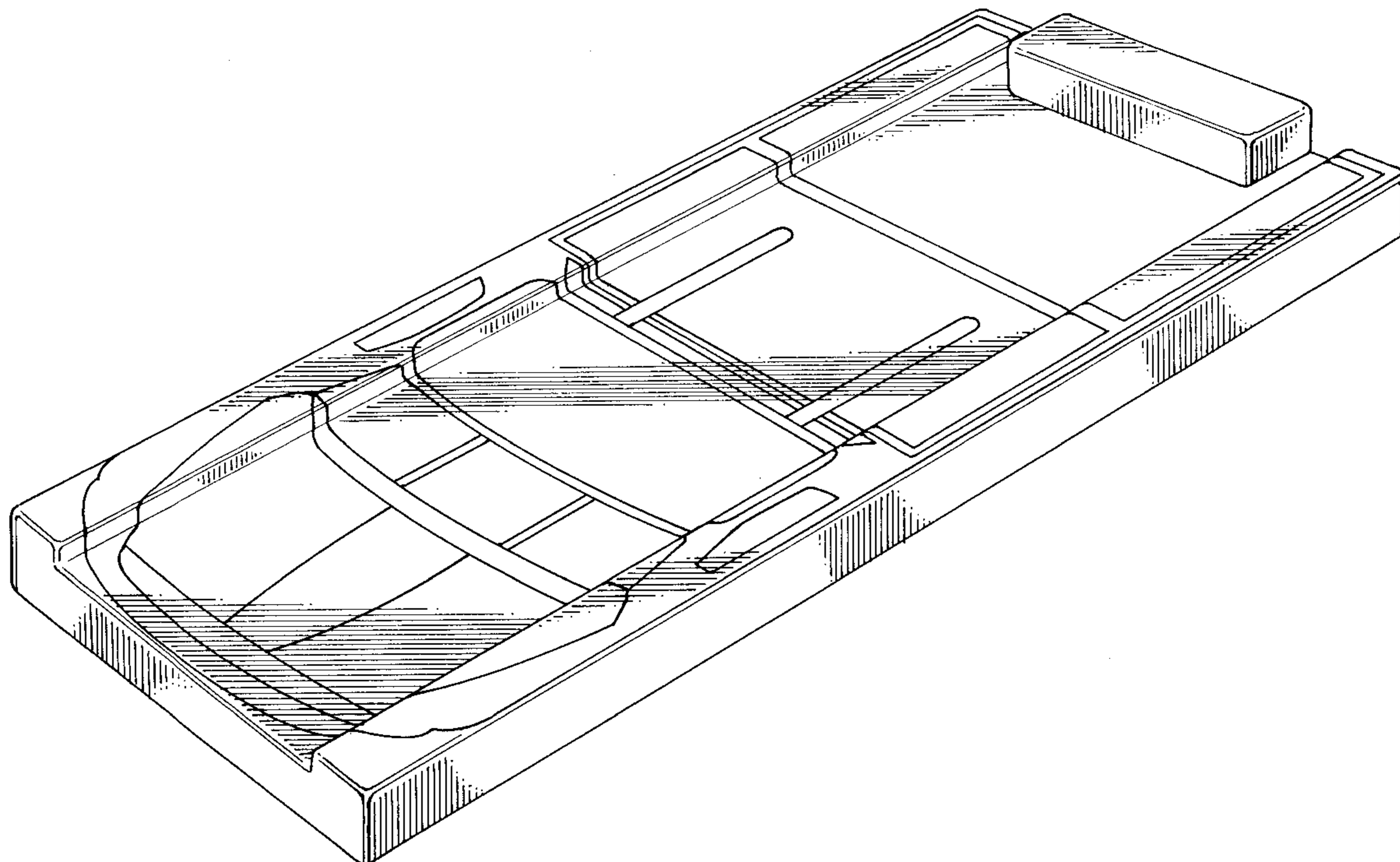
FIG. 3 is a front elevational view thereof;

FIG. 4 is a right side elevational view thereof, the left side being a mirror image of FIG. 4;

FIG. 5 is a top plan view thereof; and,

FIG. 6 is a bottom plan view thereof.

1 Claim, 4 Drawing Sheets



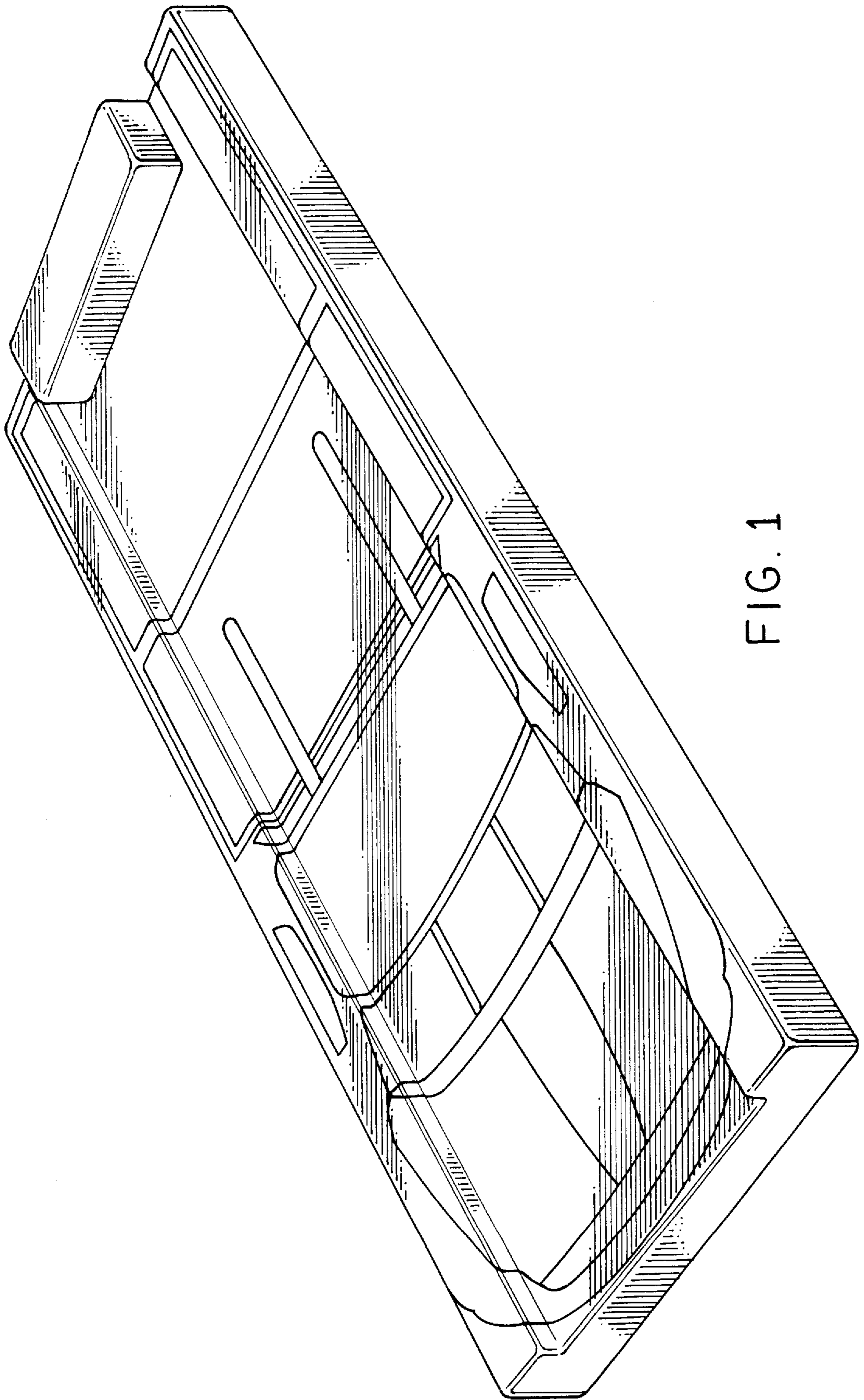


FIG. 1

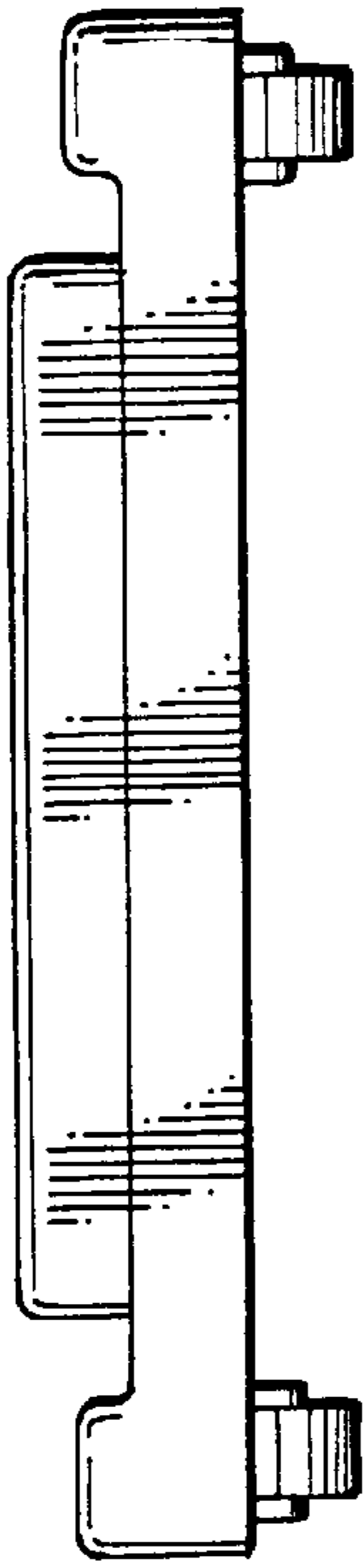


FIG. 2

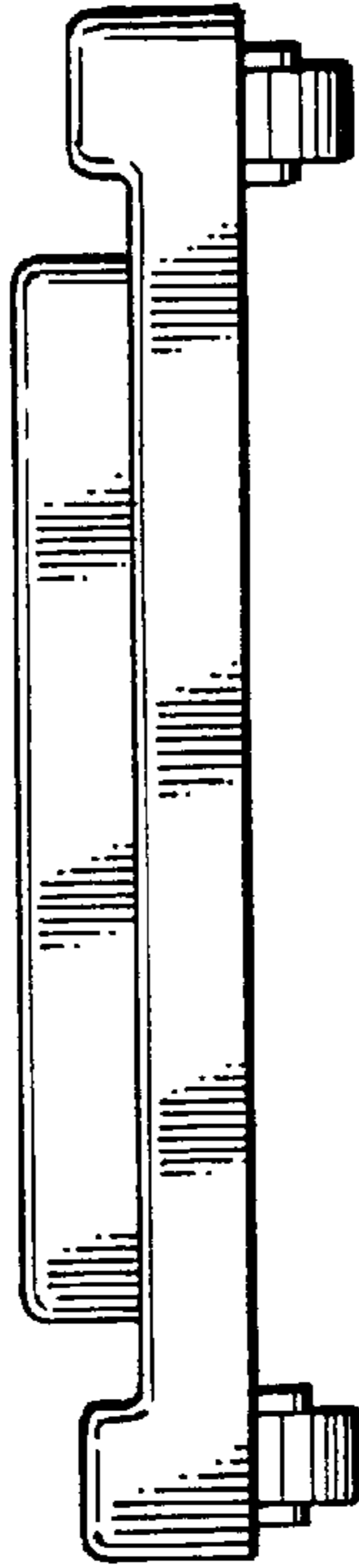


FIG. 3

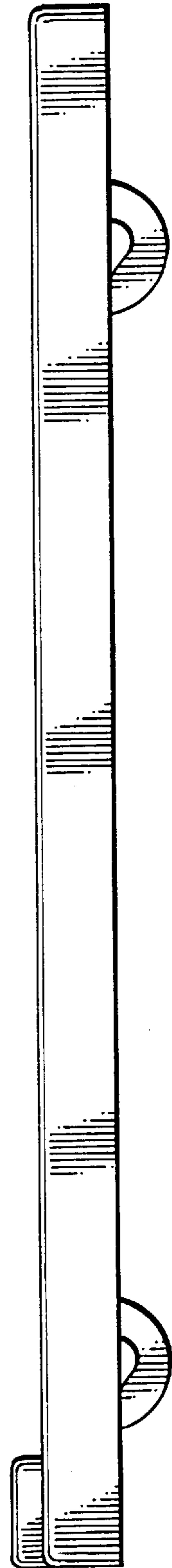


FIG. 4

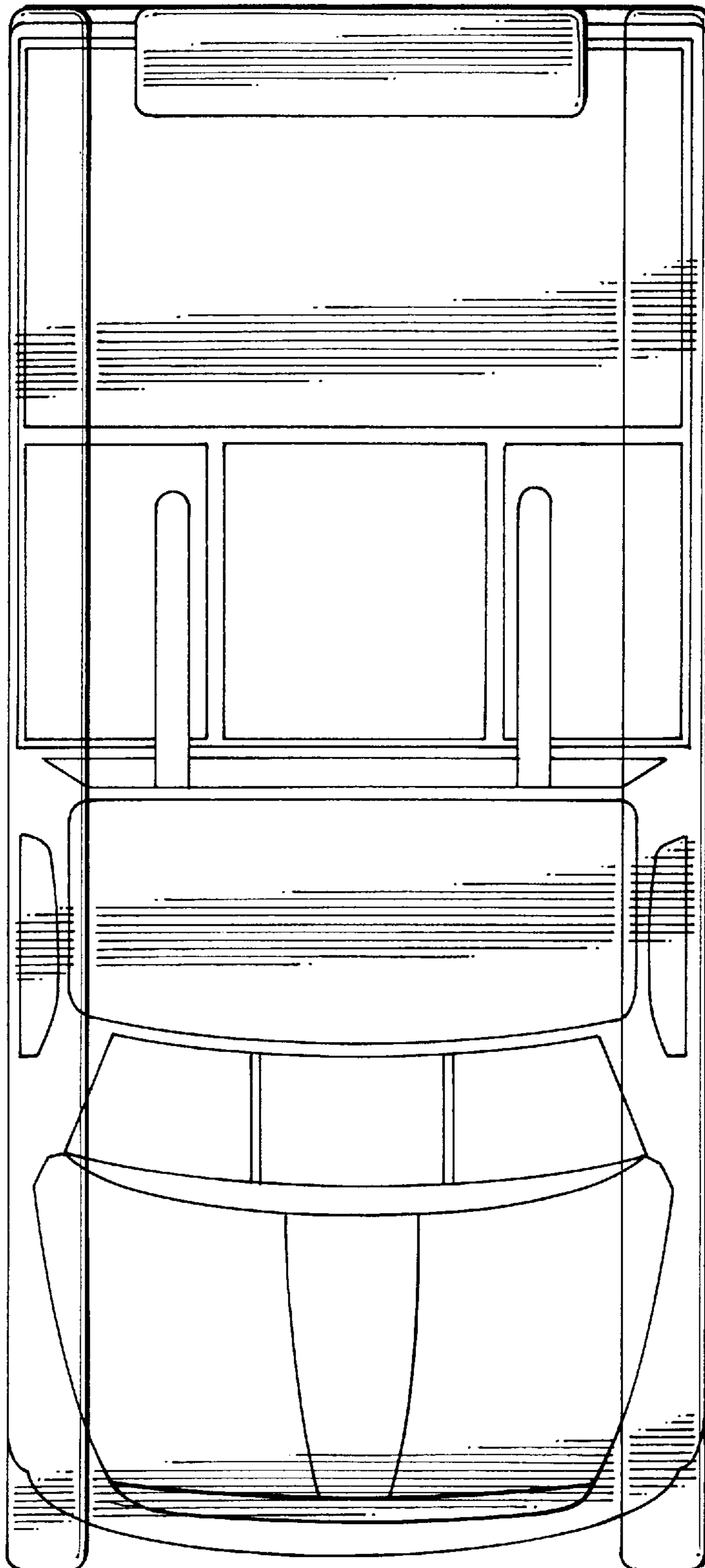


FIG. 5

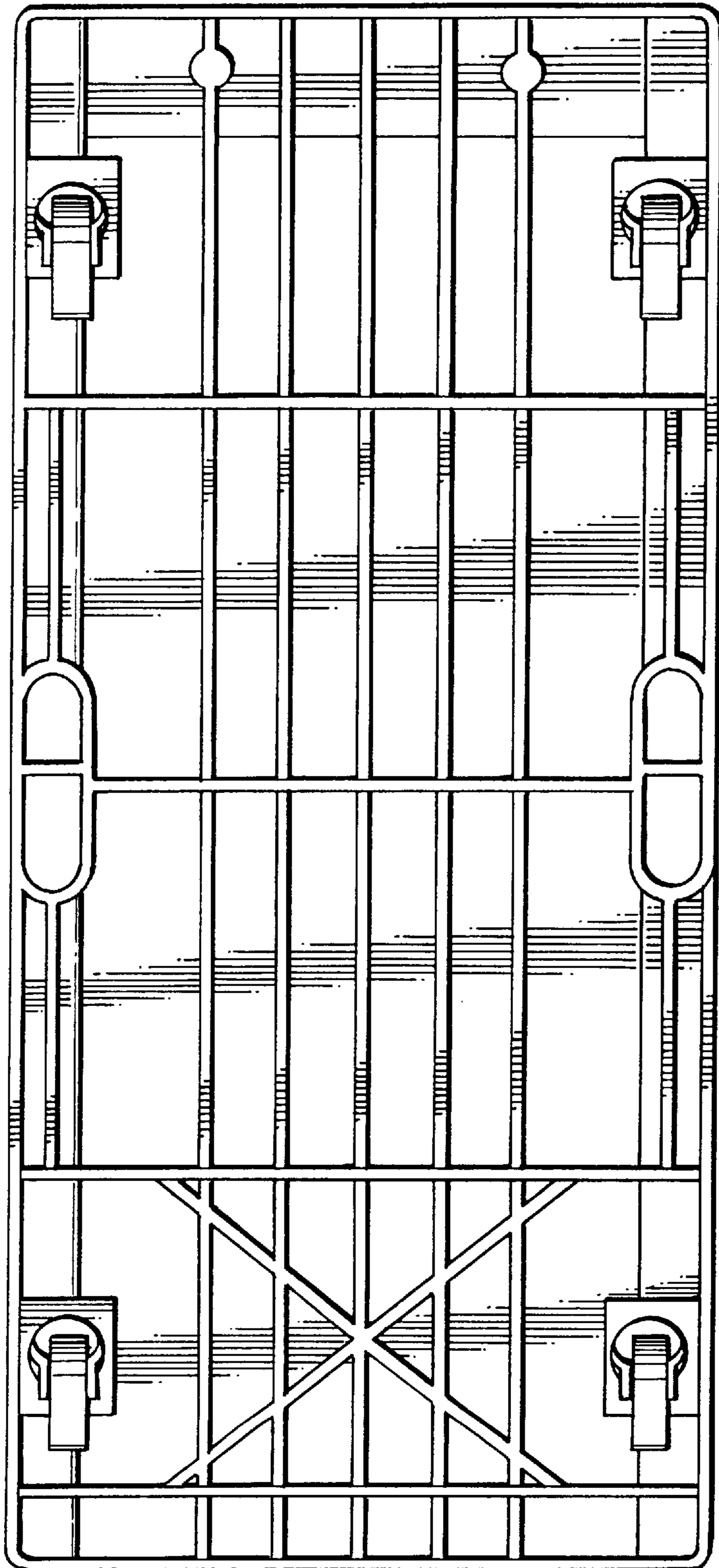


FIG. 6