



US00D403820S

United States Patent [19] Chang

[11] **Patent Number:** **Des. 403,820**

[45] **Date of Patent:** ****Jan. 5, 1999**

[54] **FOAM MOP HEAD**

[76] Inventor: **Simon Chang**, 8-5 Fl., No. 119, Fu Hsing N. Rd., Taipei, Taiwan

[**] Term: **14 Years**

[21] Appl. No.: **88,176**

[22] Filed: **May 18, 1998**

[51] **LOC (6) Cl.** **04-01**

[52] **U.S. Cl.** **D32/50; D32/40**

[58] **Field of Search** D32/35, 40, 44, D32/49, 50, 51; 15/115, 116.1, 116.2, 118, 119.2, 121, 244.1, 244.4, 245, 259.1

[56] **References Cited**

U.S. PATENT DOCUMENTS

- 4,529 8/1846 Charles .
- 182,932 10/1876 Jackson .
- D. 280,769 9/1985 Johnson et al. D32/44
- D. 302,759 8/1989 Batchelor D32/44

- 3,076,216 2/1963 Anderson .
- 4,356,586 11/1982 Klotz 15/119.2
- 5,528,791 6/1996 Wilson 15/119.1
- 5,533,226 7/1996 Brown, Jr. 15/119.2

Primary Examiner—Susan J. Lucas
Assistant Examiner—Cynthia E. Ramirez
Attorney, Agent, or Firm—Rosenberg Klein & Bilker

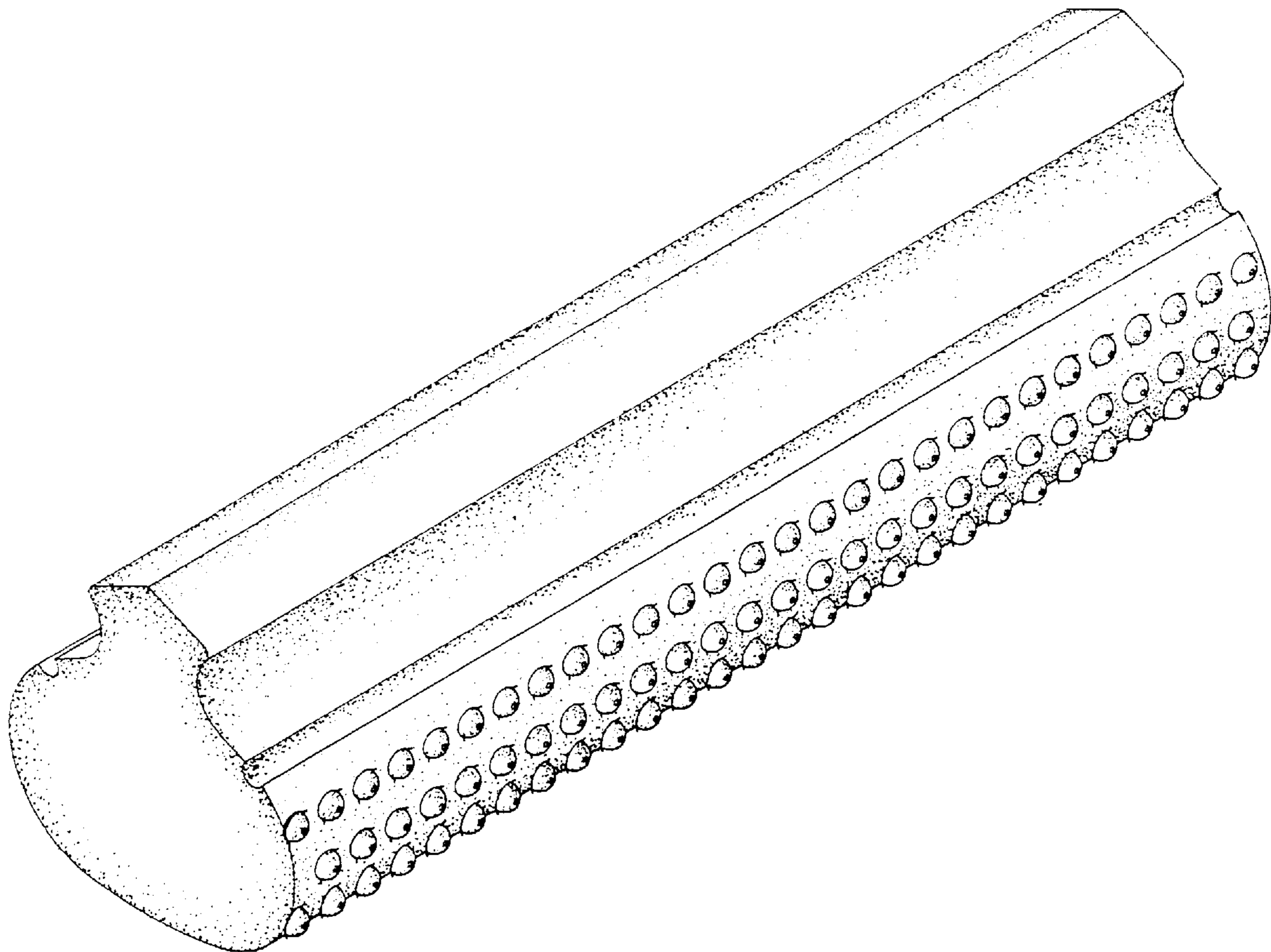
[57] **CLAIM**

The ornamental design for a foam mop head, as shown.

DESCRIPTION

FIG. 1 is a front, left and top perspective view of a foam mop head showing my new design;
FIG. 2 is a front view thereof;
FIG. 3 is a rear view thereof;
FIG. 4 is a left side elevational view thereof;
FIG. 5 is a right side elevational view thereof;
FIG. 6 is a top plan view thereof; and,
FIG. 7 is a bottom plan view thereof.

1 Claim, 3 Drawing Sheets



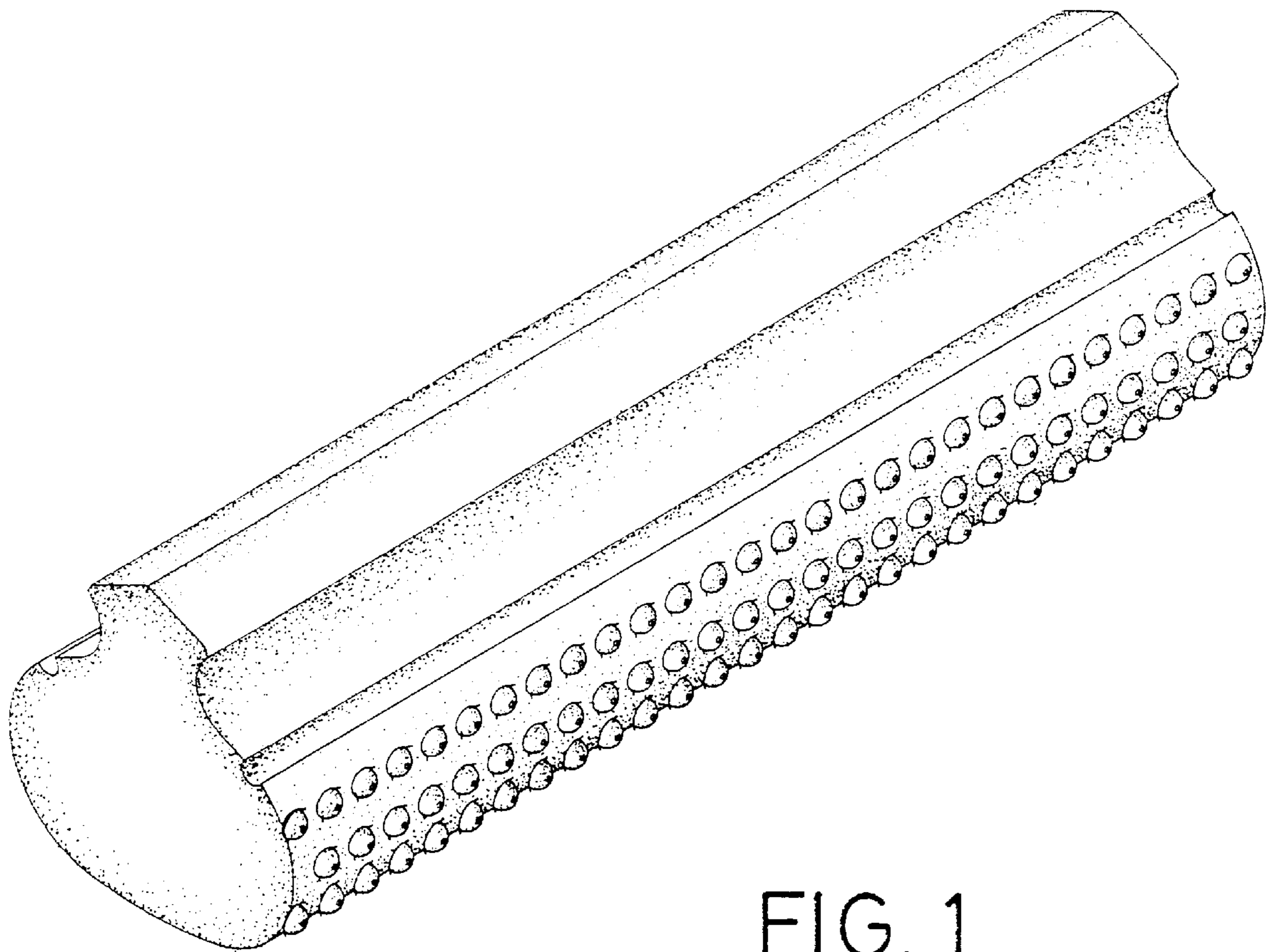


FIG. 1

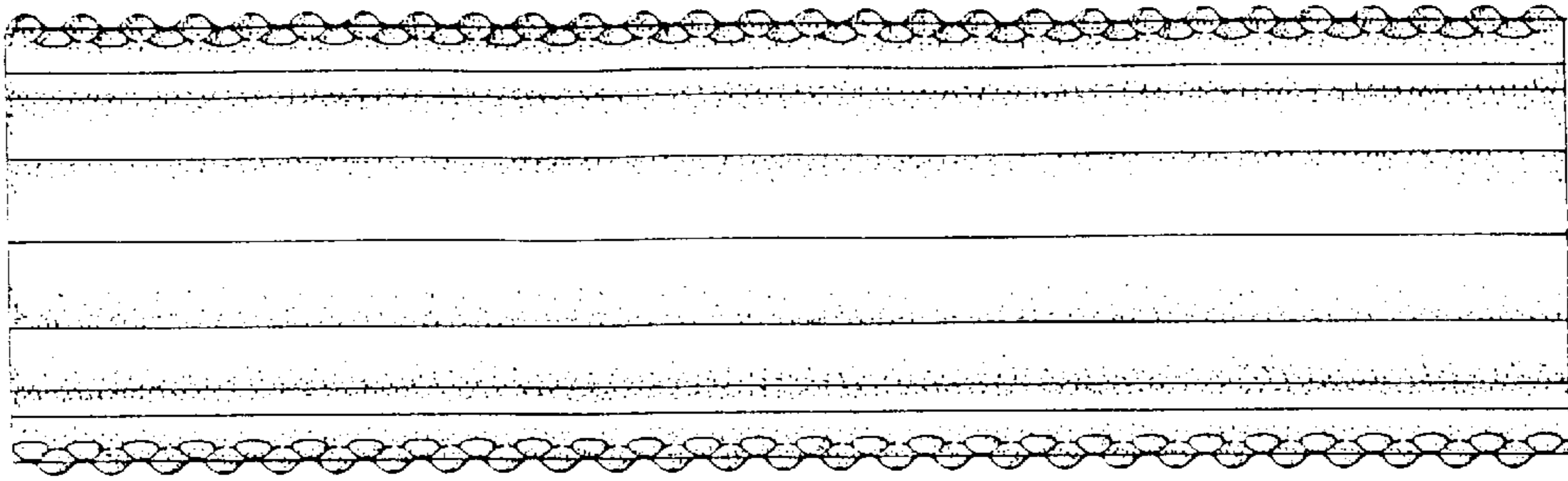


FIG. 6

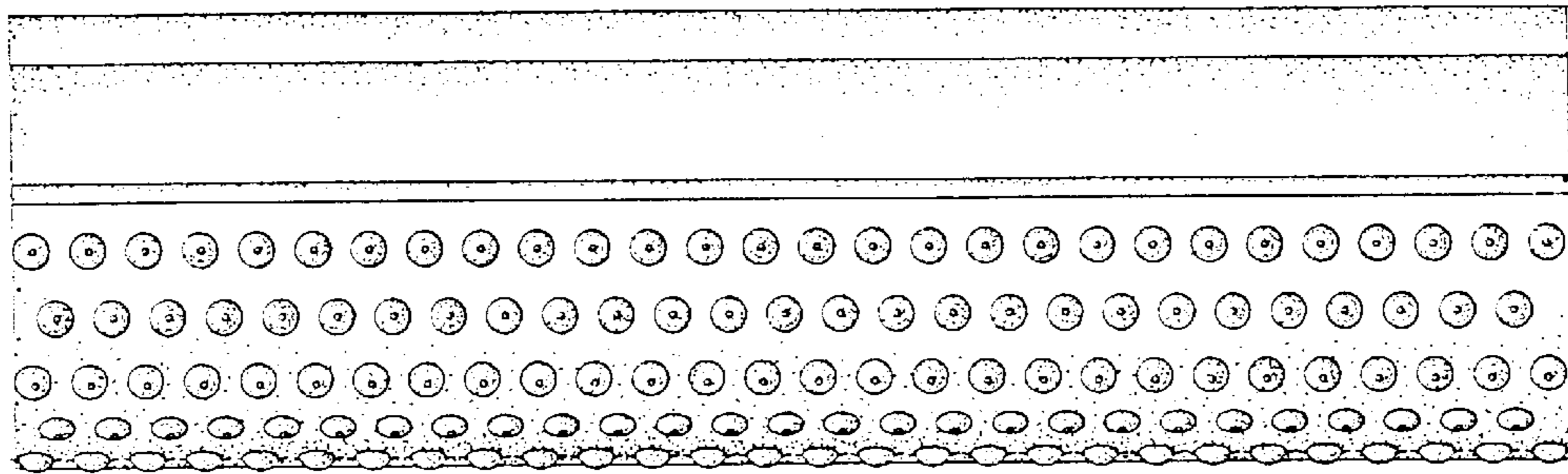


FIG. 2

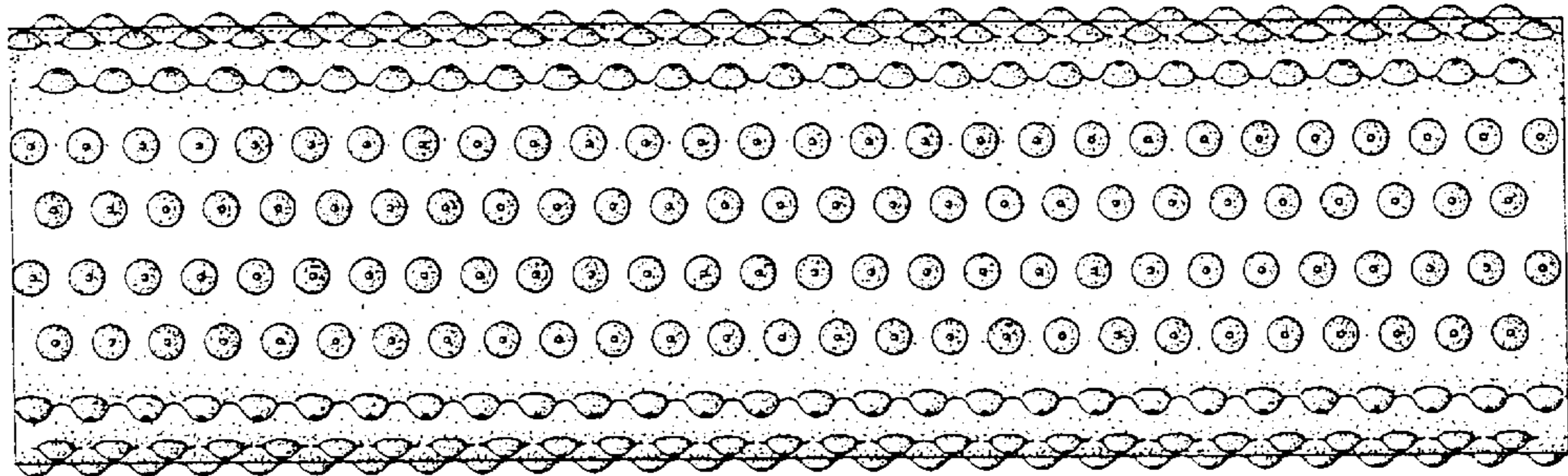


FIG. 7

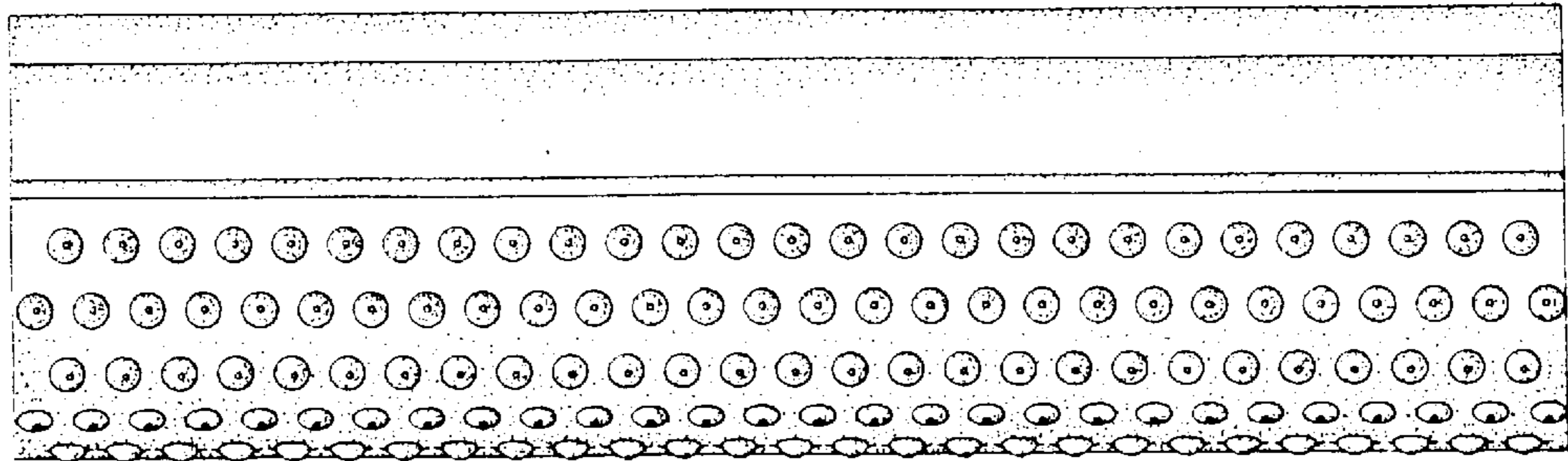


FIG. 3

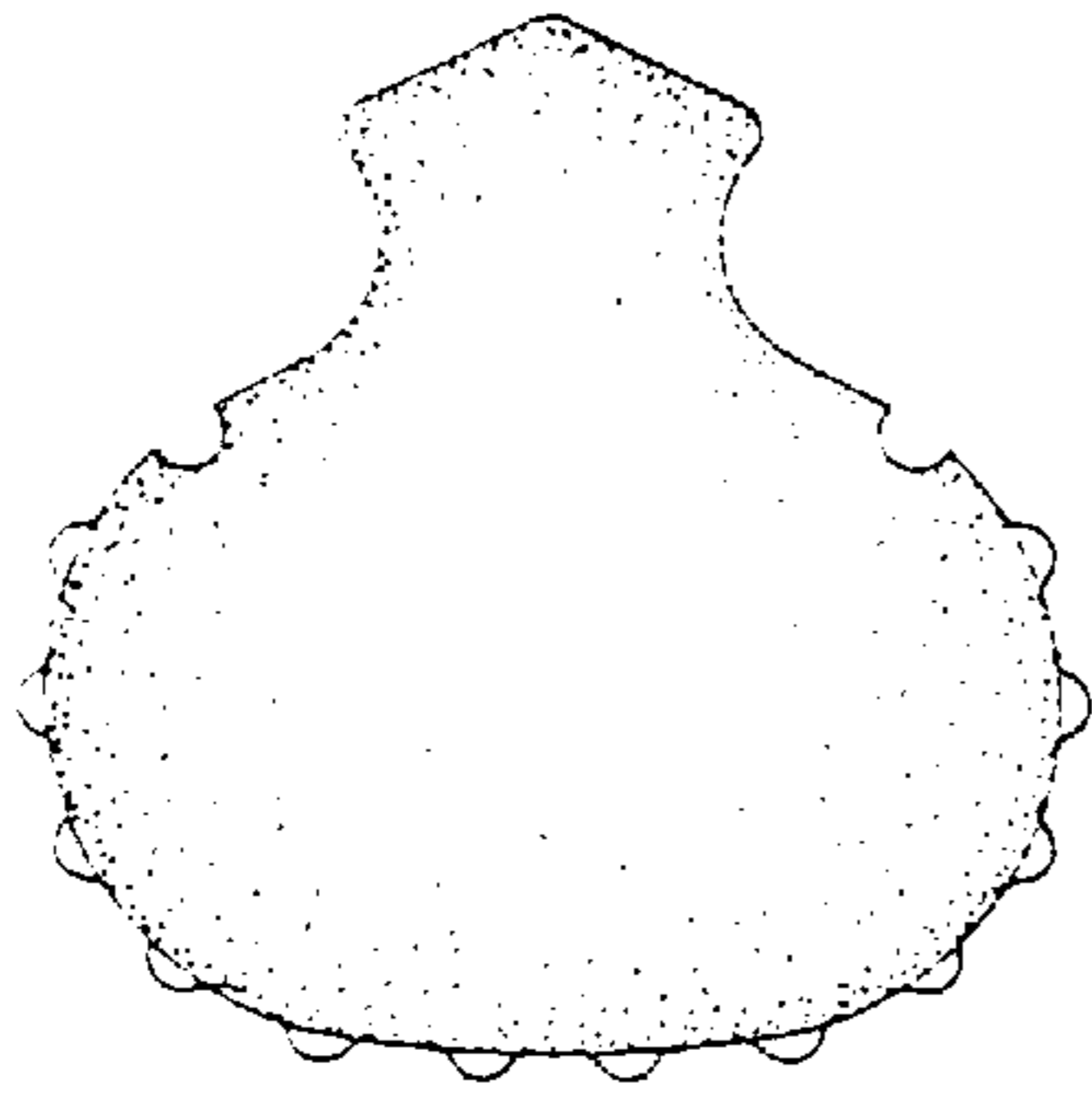


FIG. 4

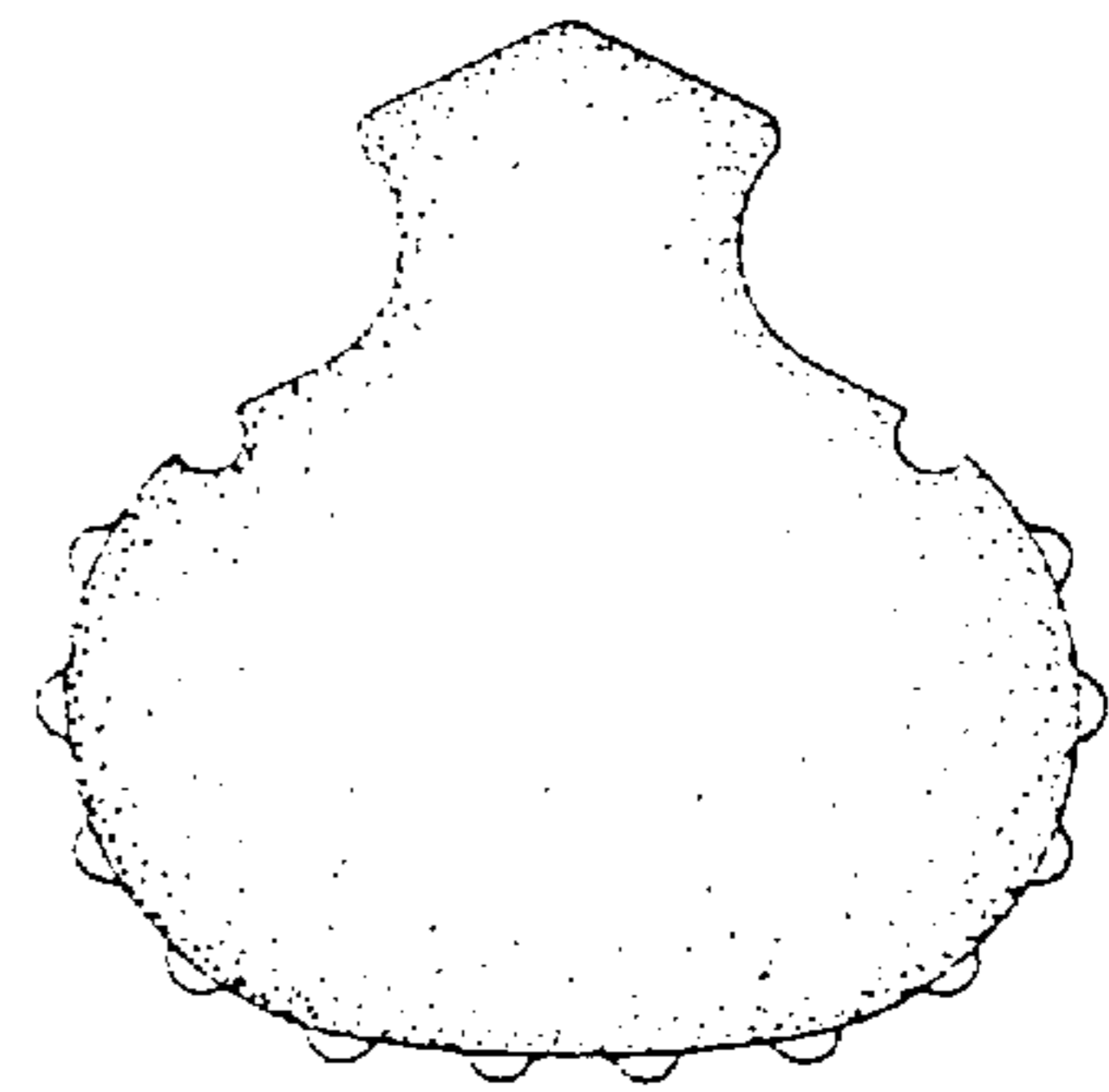


FIG. 5