



US00D403819S

United States Patent [19]
Carlson

[11] **Patent Number:** **Des. 403,819**

[45] **Date of Patent:** ****Jan. 5, 1999**

[54] **MOP SQUEEZE INSERT FOR A MOP BUCKET**

D. 383,270	9/1997	Weihrauch	D32/54
502,448	8/1893	Ulman	D32/54
2,149,255	3/1939	Fader	15/260
2,508,947	5/1950	Hoke	15/260

[75] Inventor: **Arthur Richard Carlson**, Hawthorn East, Australia

[73] Assignee: **The Decor Corporation Pty Ltd.**, Victoria, Australia

Primary Examiner—Alan P. Douglas
Assistant Examiner—Robin V. Taylor
Attorney, Agent, or Firm—McDermott, Will & Emery

[**] Term: **14 Years**

[57] **CLAIM**

[21] Appl. No.: **83,635**

The ornamental design for a mop squeeze insert for a mop bucket, as shown and described.

[22] Filed: **Feb. 13, 1998**

DESCRIPTION

[51] **LOC (6) Cl.** **07-07**

FIG. 1 is a perspective view from above and one side thereof;

[52] **U.S. Cl.** **D32/54**

FIG. 2 is a front view thereof;

[58] **Field of Search** D32/53, 53.1, D32/54; 15/260, 263, 264, 119.1, 120.1

FIG. 3 is a plan view thereof;

FIG. 4 is a rear view thereof;

FIG. 5 is an end view thereof;

FIG. 6 is an underneath view thereof; and,

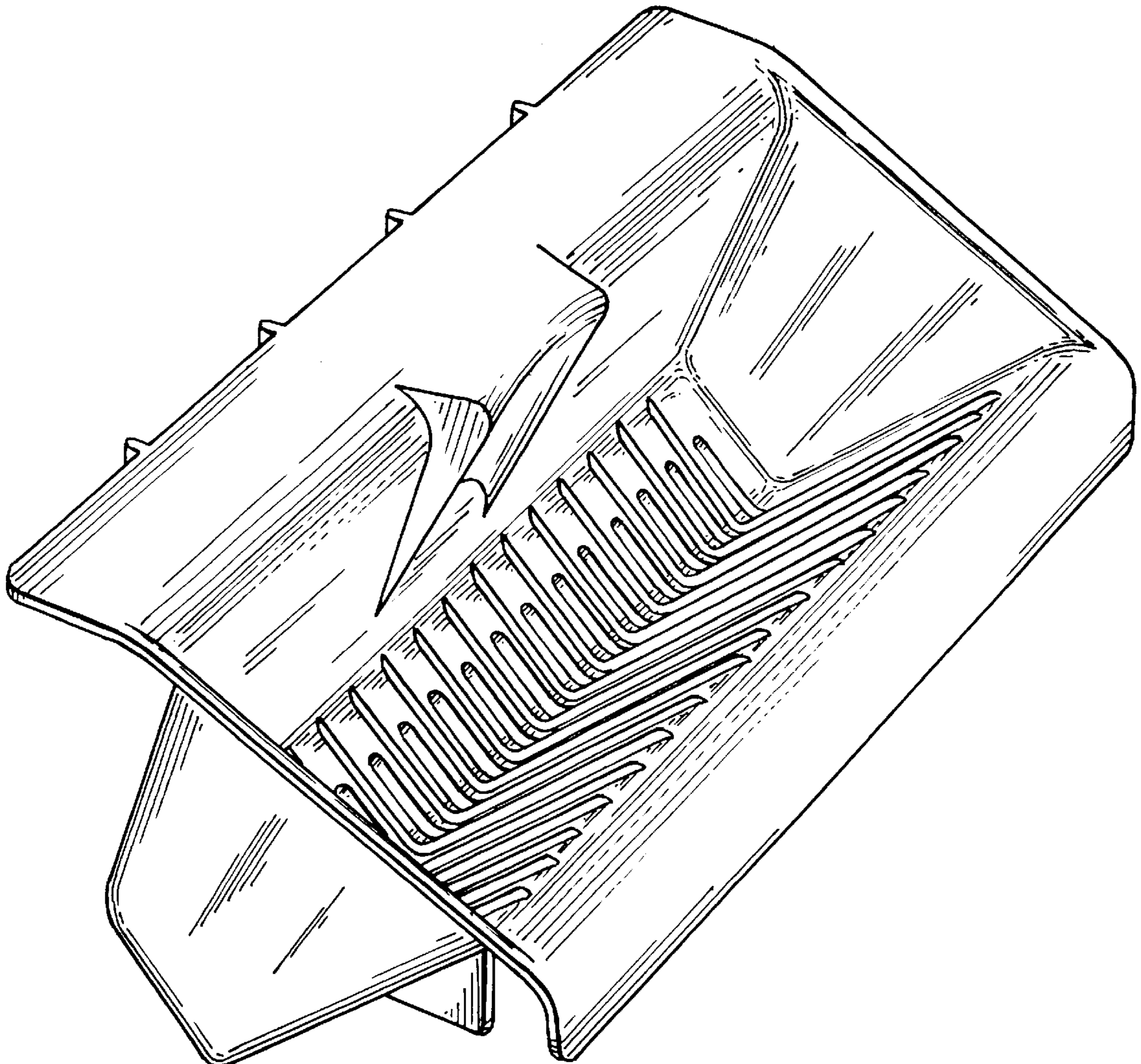
FIG. 7 is a cross-sectional view taken along 7—7 of FIG. 2.

[56] **References Cited**

U.S. PATENT DOCUMENTS

D. 223,774 6/1972 Swanson D32/54

1 Claim, 3 Drawing Sheets



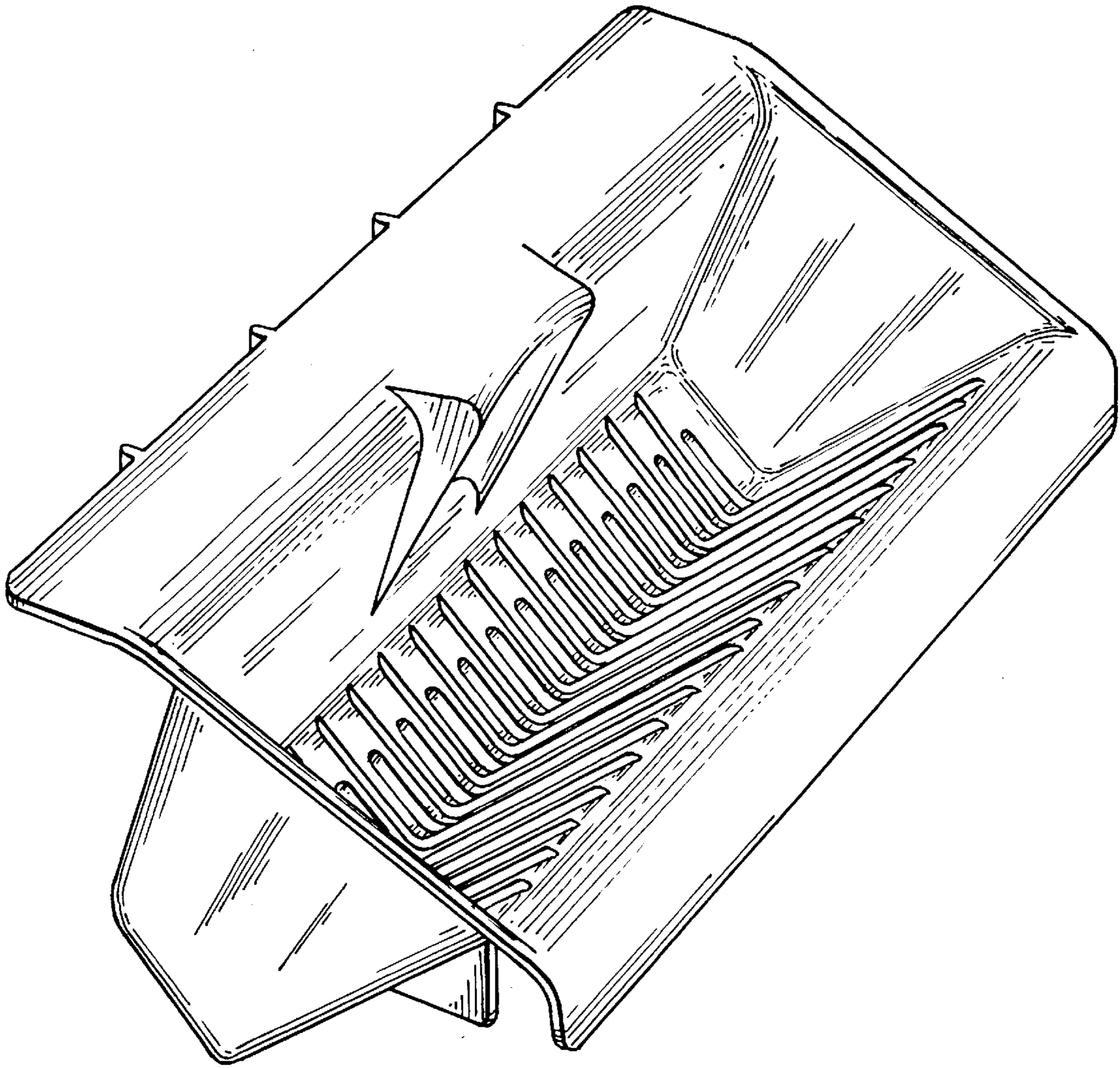


FIG. 1.

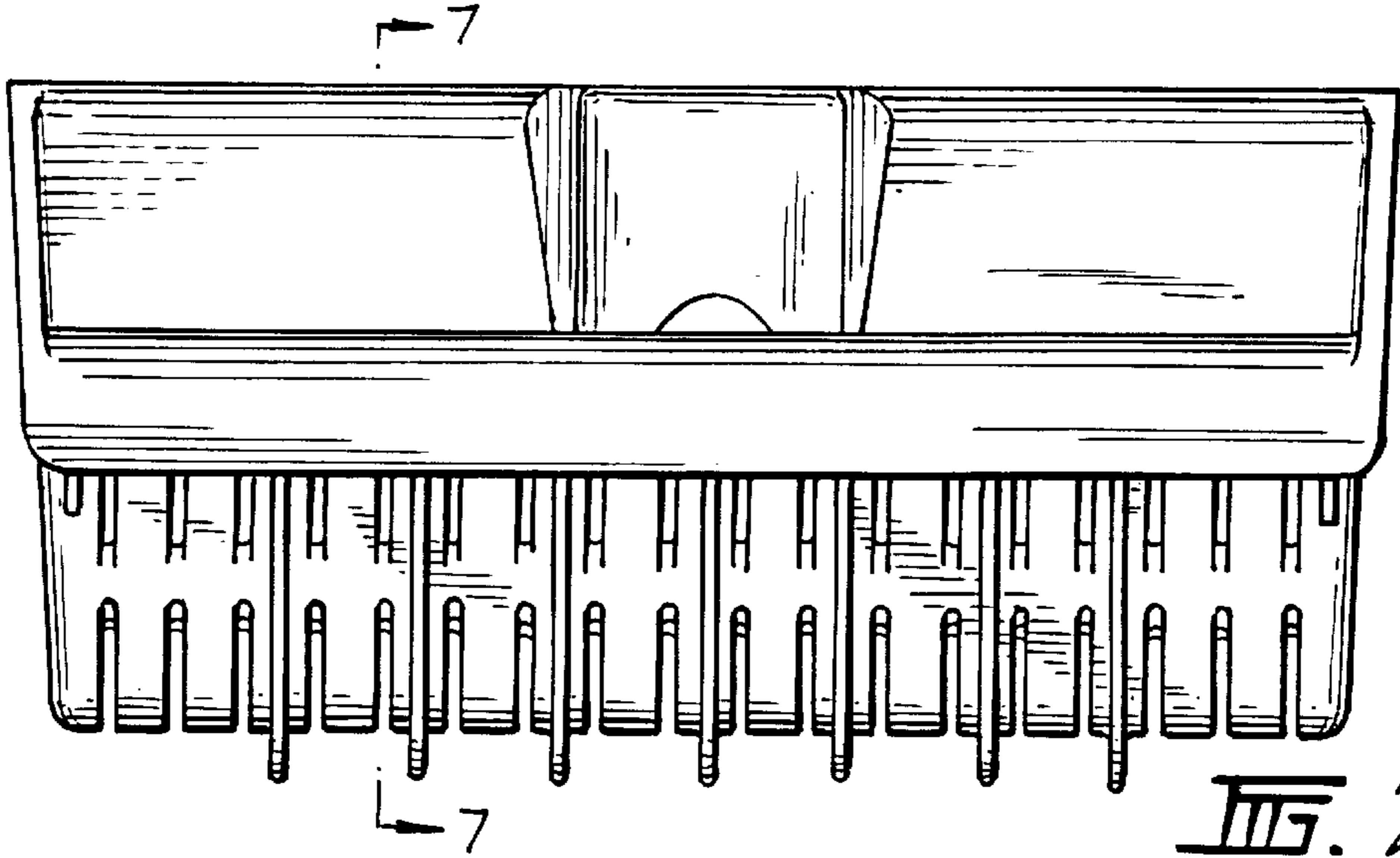


FIG. 2.

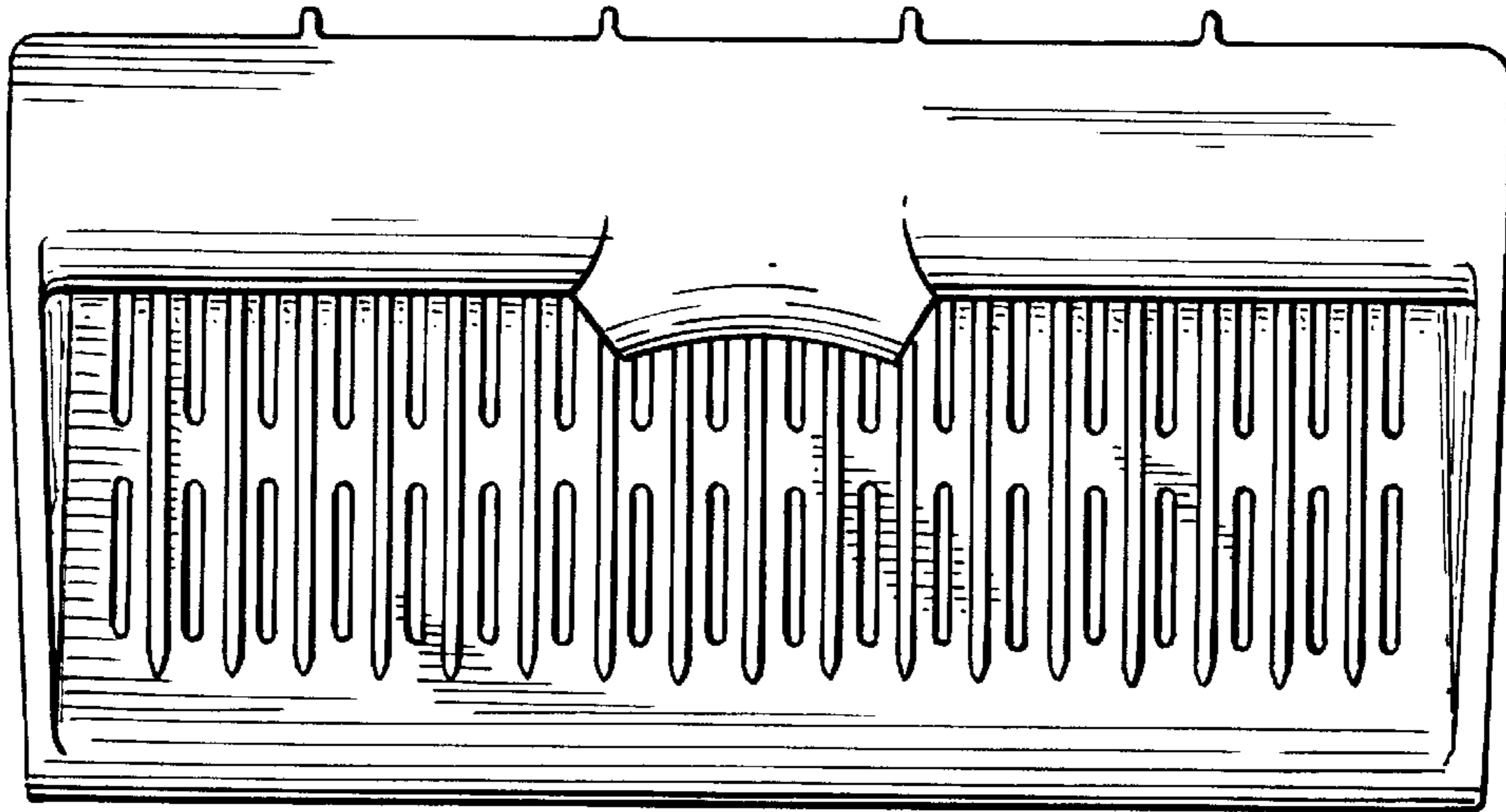


FIG. 3.

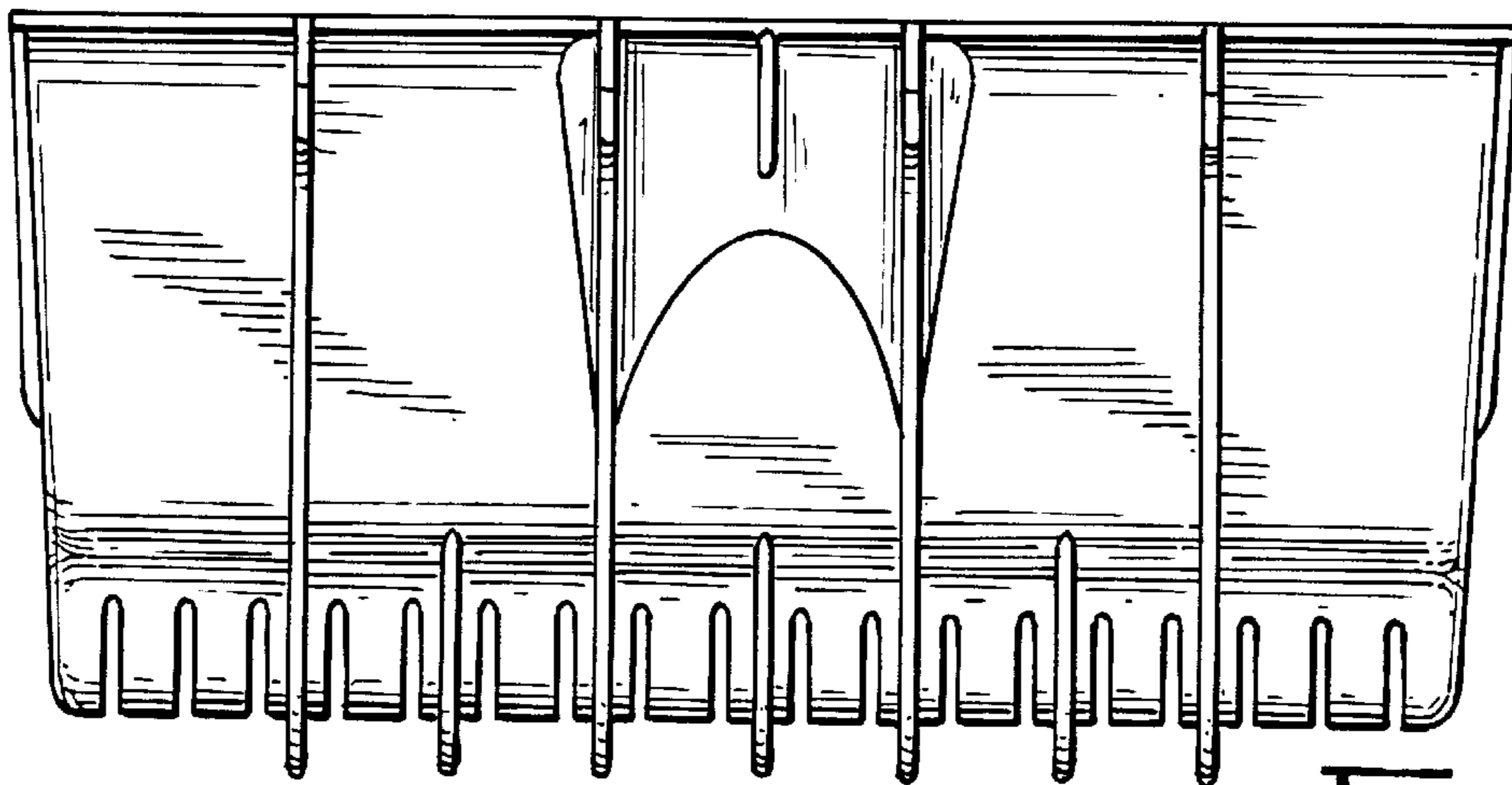


FIG. 4.

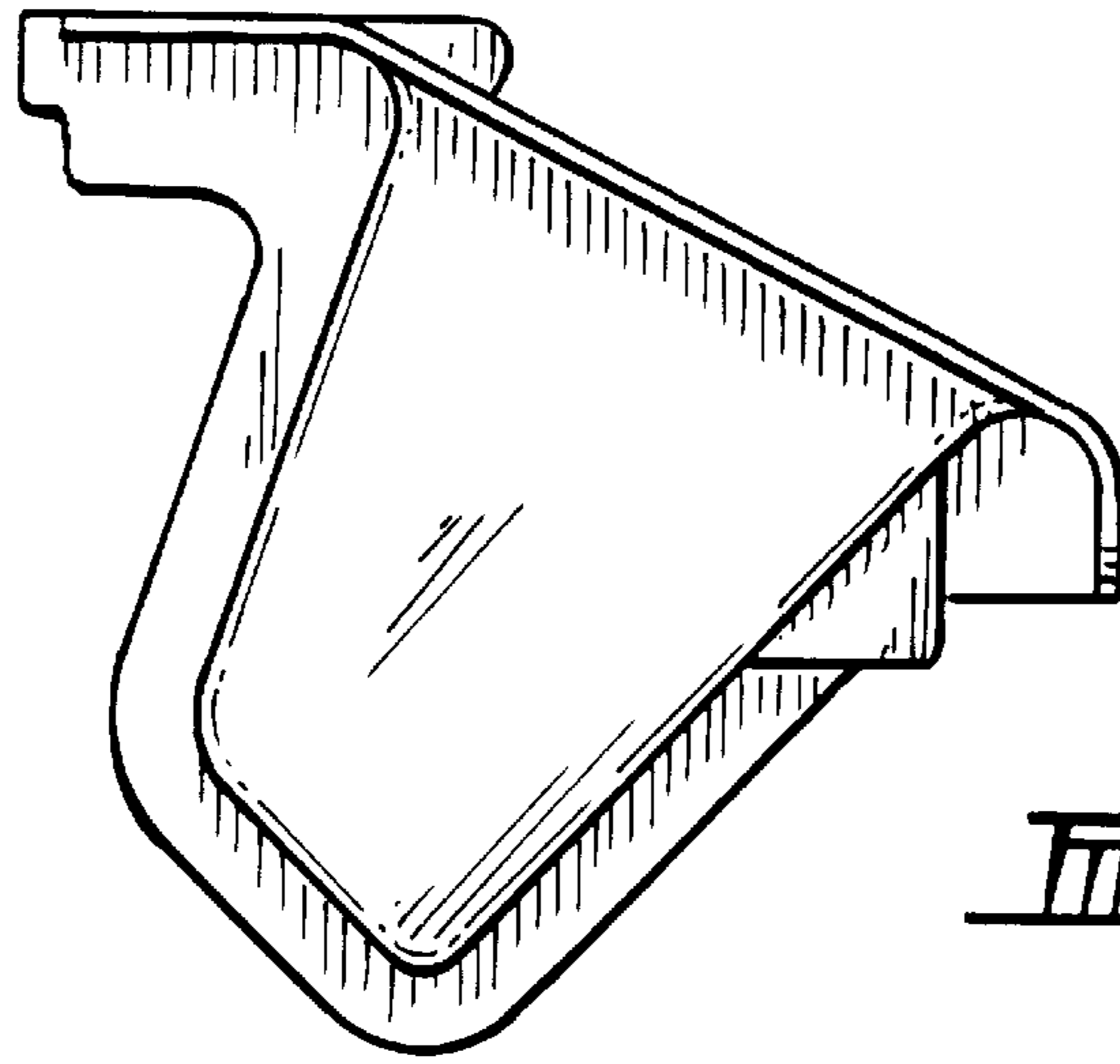


FIG. 5.

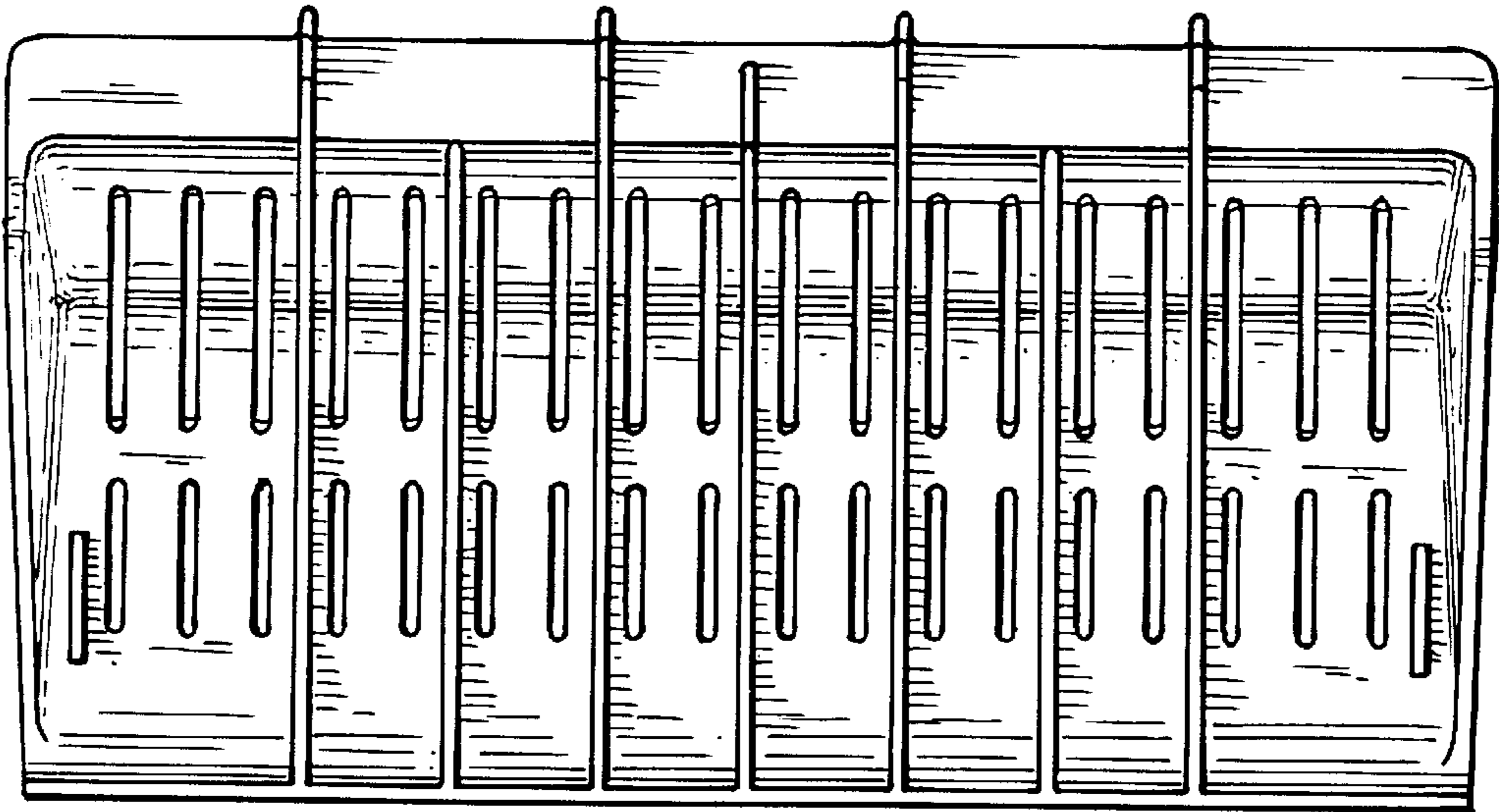


FIG. 6.

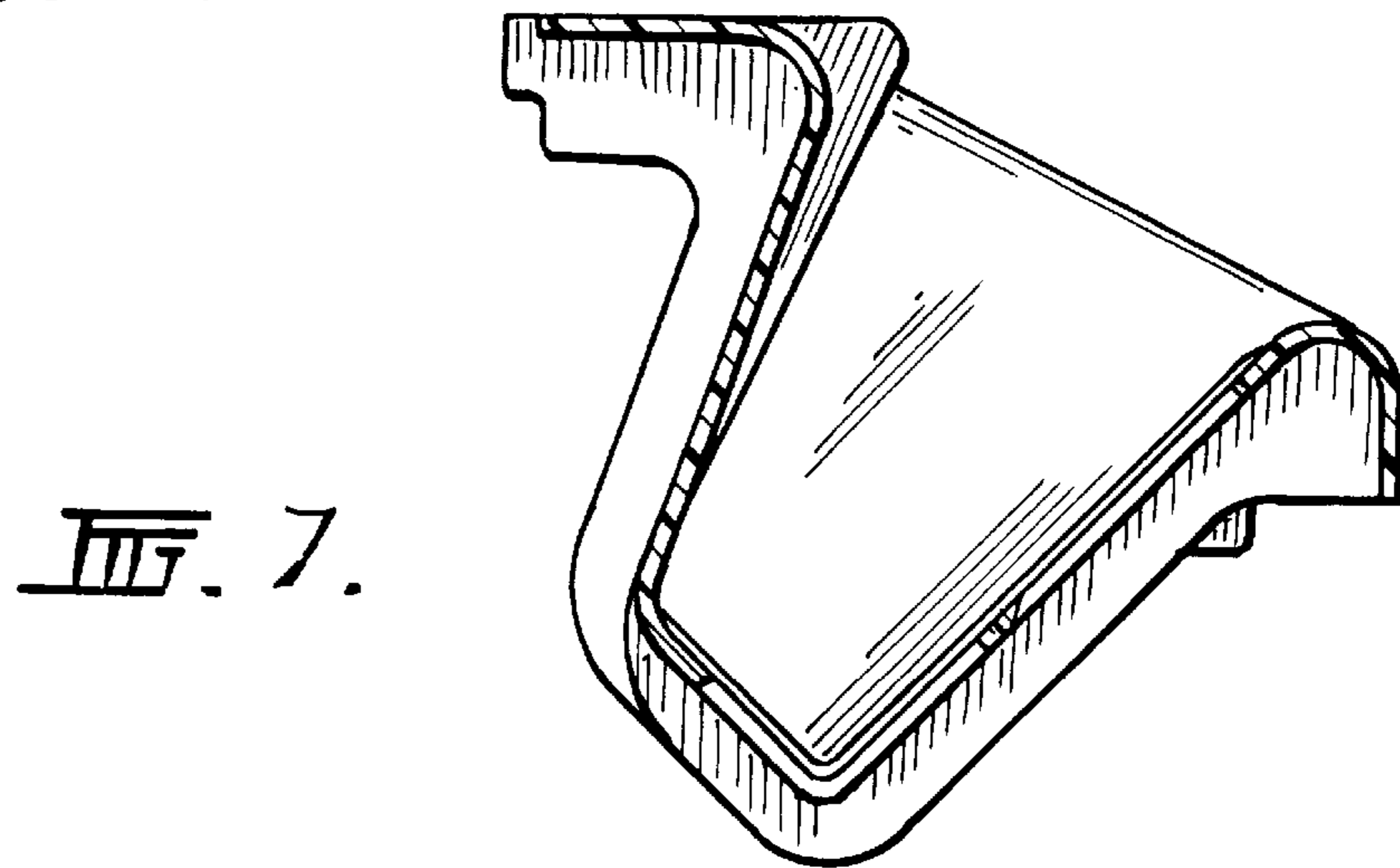


FIG. 7.