



US00D403818S

# United States Patent [19] Chang

[11] **Patent Number: Des. 403,818**

[45] **Date of Patent: \*\*Jan. 5, 1999**

[54] **FOAM MOP HEAD**

[76] Inventor: **Simon Chang**, 8-5 Fl., No. 119, Fu Hsing N. Rd., Taipei, Taiwan

[\*\*] Term: **14 Years**

[21] Appl. No.: **88,177**

[22] Filed: **May 18, 1998**

[51] **LOC (6) Cl. .... 84-01**

[52] **U.S. Cl. .... D32/50; D32/40**

[58] **Field of Search .... D32/35, 40, 44, D32/49, 50, 52, 51; 15/115, 116.1, 116.2, 118, 119.2, 121, 244.1, 244.4, 245, 209.1**

[56] **References Cited**

**U.S. PATENT DOCUMENTS**

- 4,529 8/1846 Charles .
- 182,932 10/1876 Jackson .
- D. 280,769 9/1985 Johnson et al. .... D32/44
- D. 302,759 8/1989 Batchelor .... D32/44

- 3,076,216 2/1963 Anderson .
- 4,356,586 11/1982 Klotz ..... 15/119.2
- 5,528,791 6/1996 Wilson ..... 15/119.1
- 5,533,226 7/1996 Brown, Jr. .... 15/119.2

*Primary Examiner*—Susan J. Lucas  
*Assistant Examiner*—Cynthia E. Ramirez  
*Attorney, Agent, or Firm*—Rosenberg, Klein & Bilker

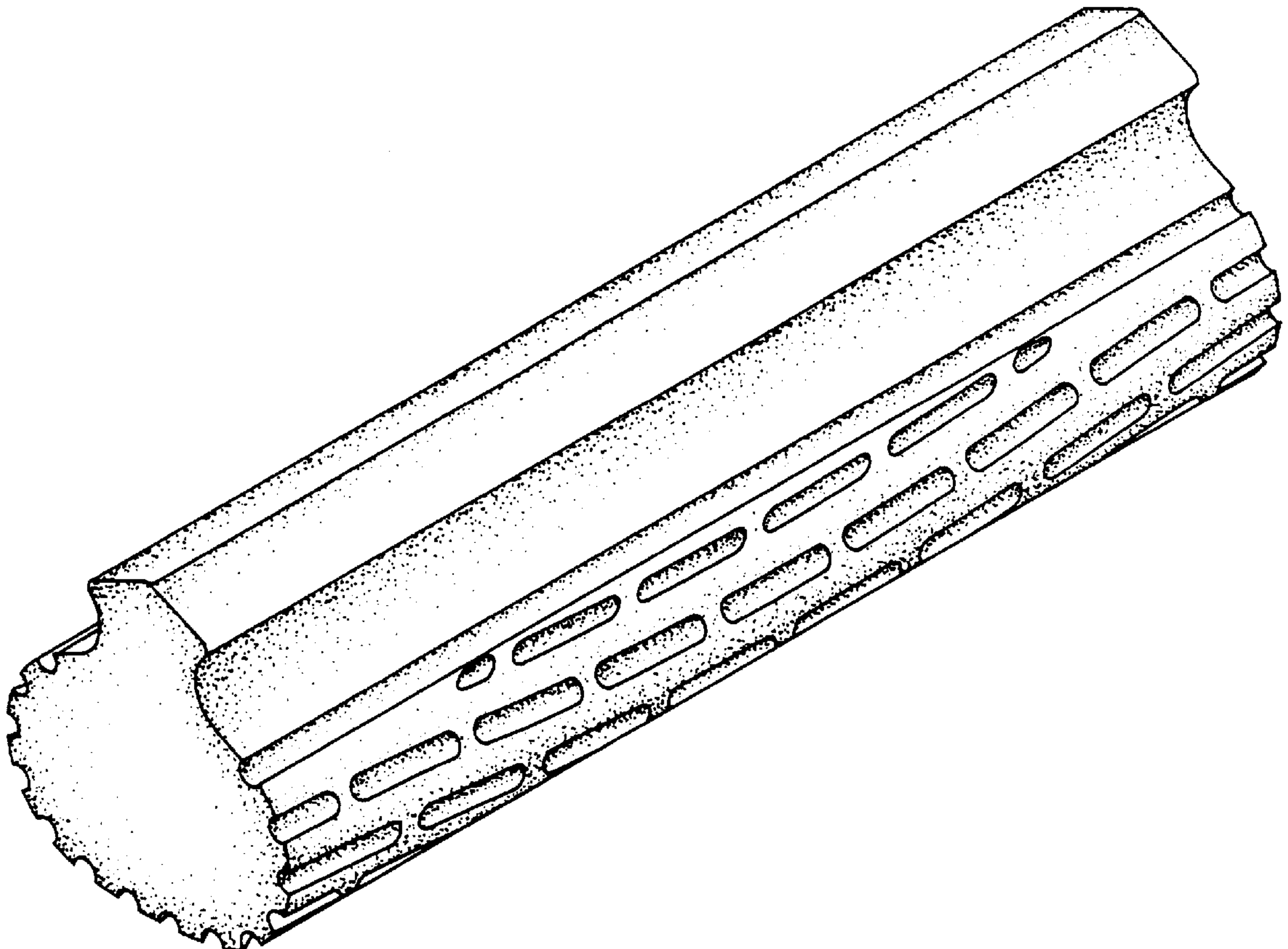
[57] **CLAIM**

The ornamental design for a foam mop head, as shown.

**DESCRIPTION**

FIG. 1 is a front, left and top perspective view of a foam mop head showing my new design;  
FIG. 2 is a front view thereof;  
FIG. 3 is a rear view thereof;  
FIG. 4 is a left side elevational view thereof;  
FIG. 5 is a right side elevational view thereof;  
FIG. 6 is a top plan view thereof; and,  
FIG. 7 is a bottom plan view thereof.

**1 Claim, 3 Drawing Sheets**



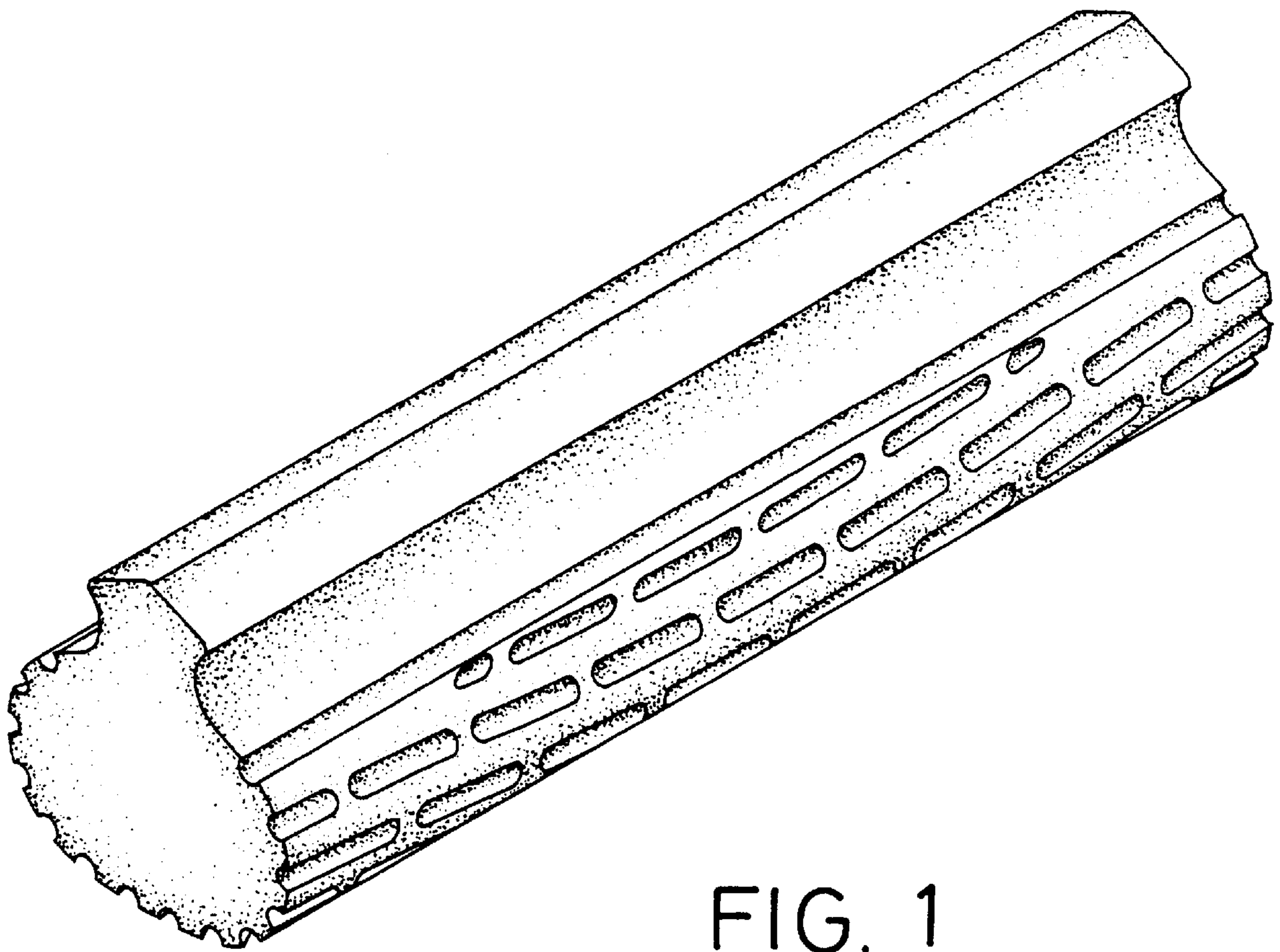


FIG. 1

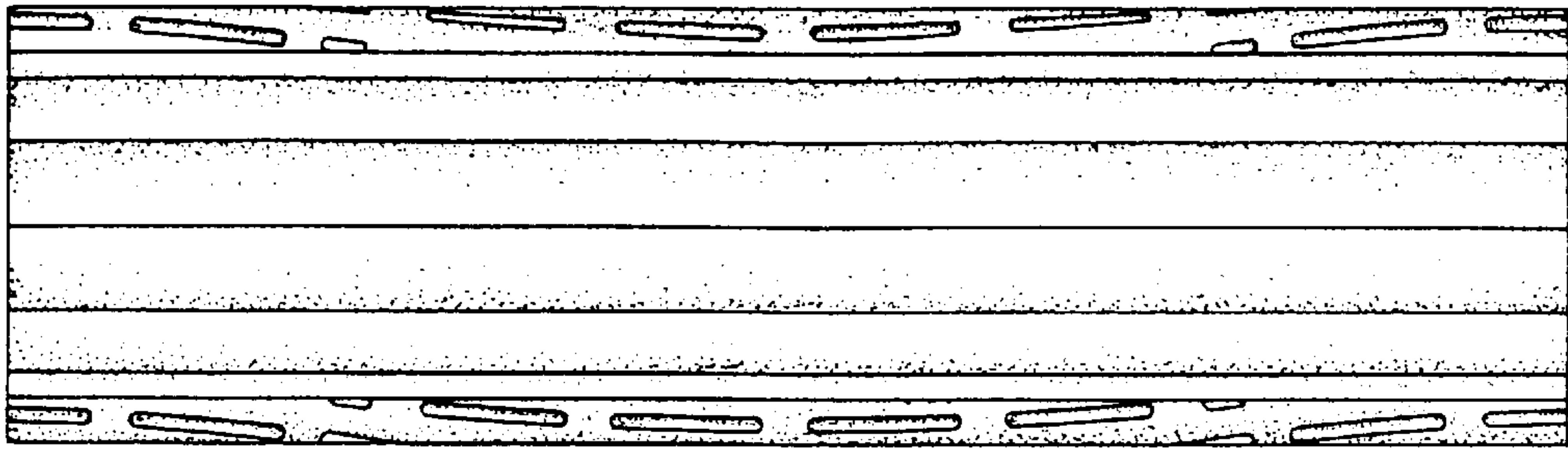


FIG. 6

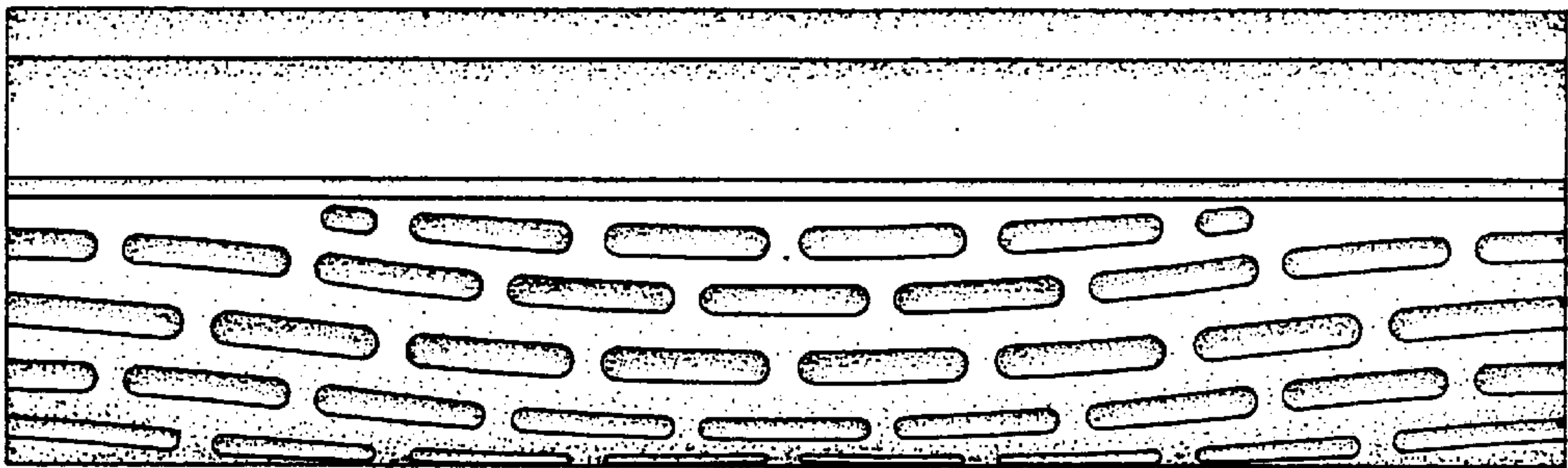


FIG. 2

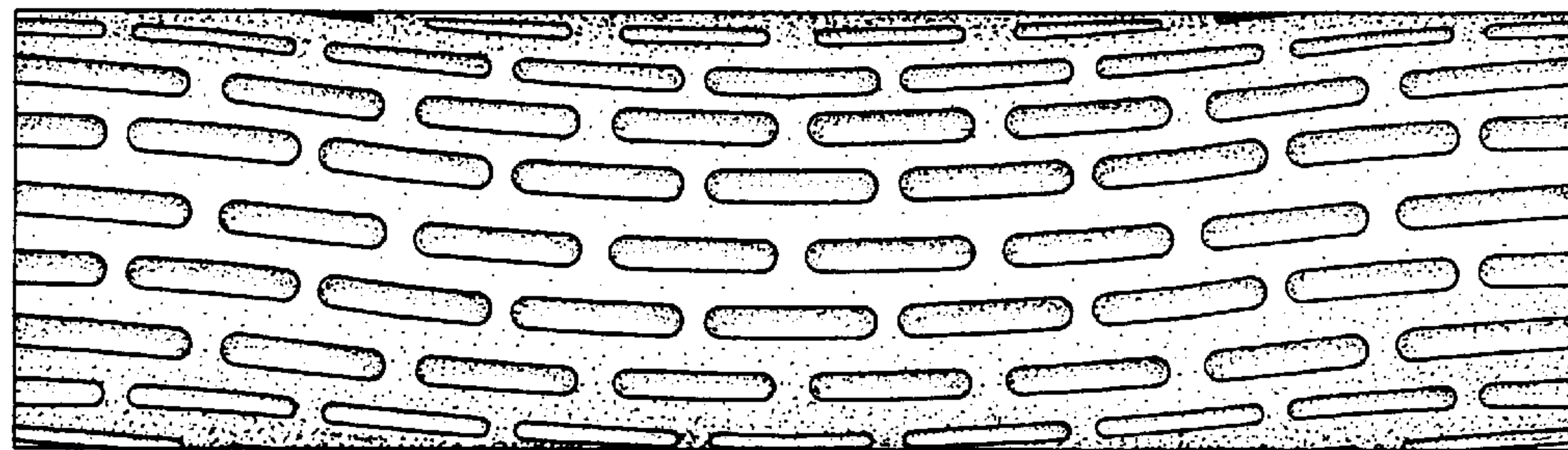


FIG. 7

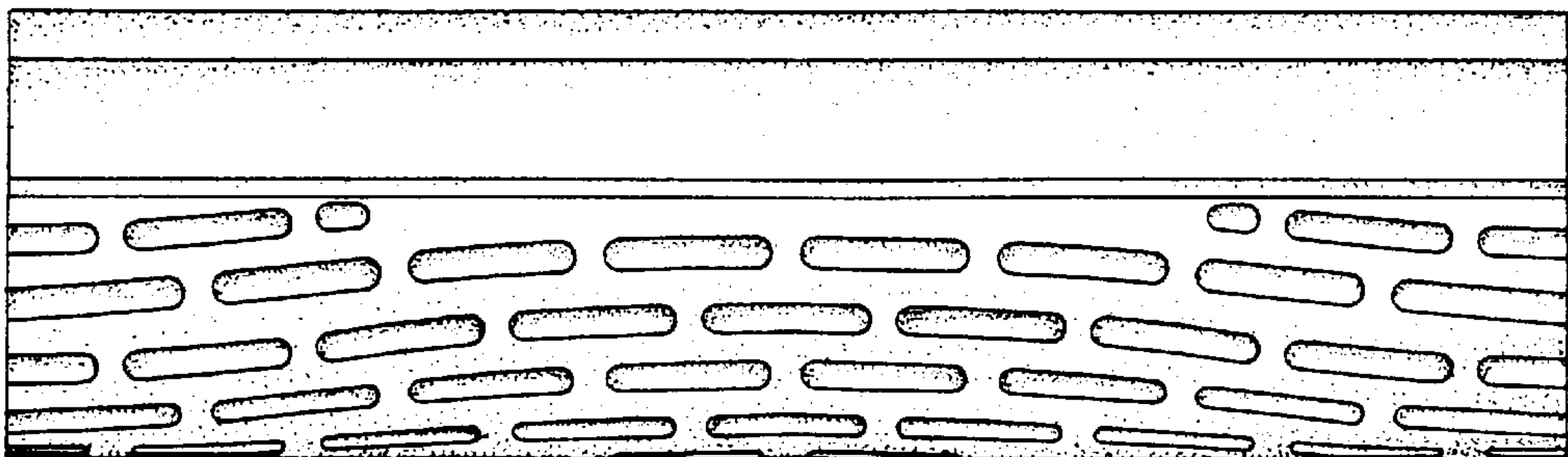


FIG. 3



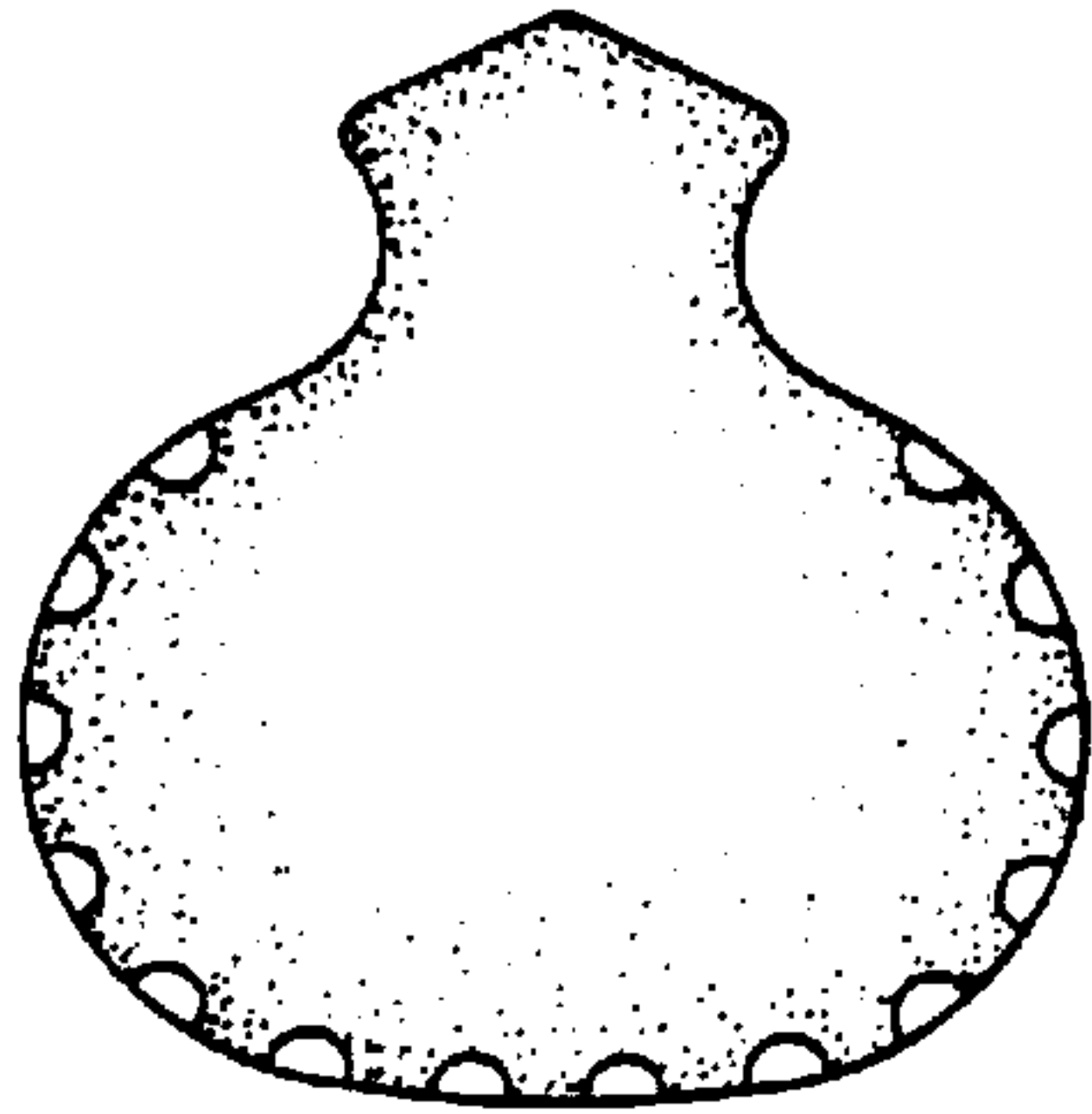


FIG. 4

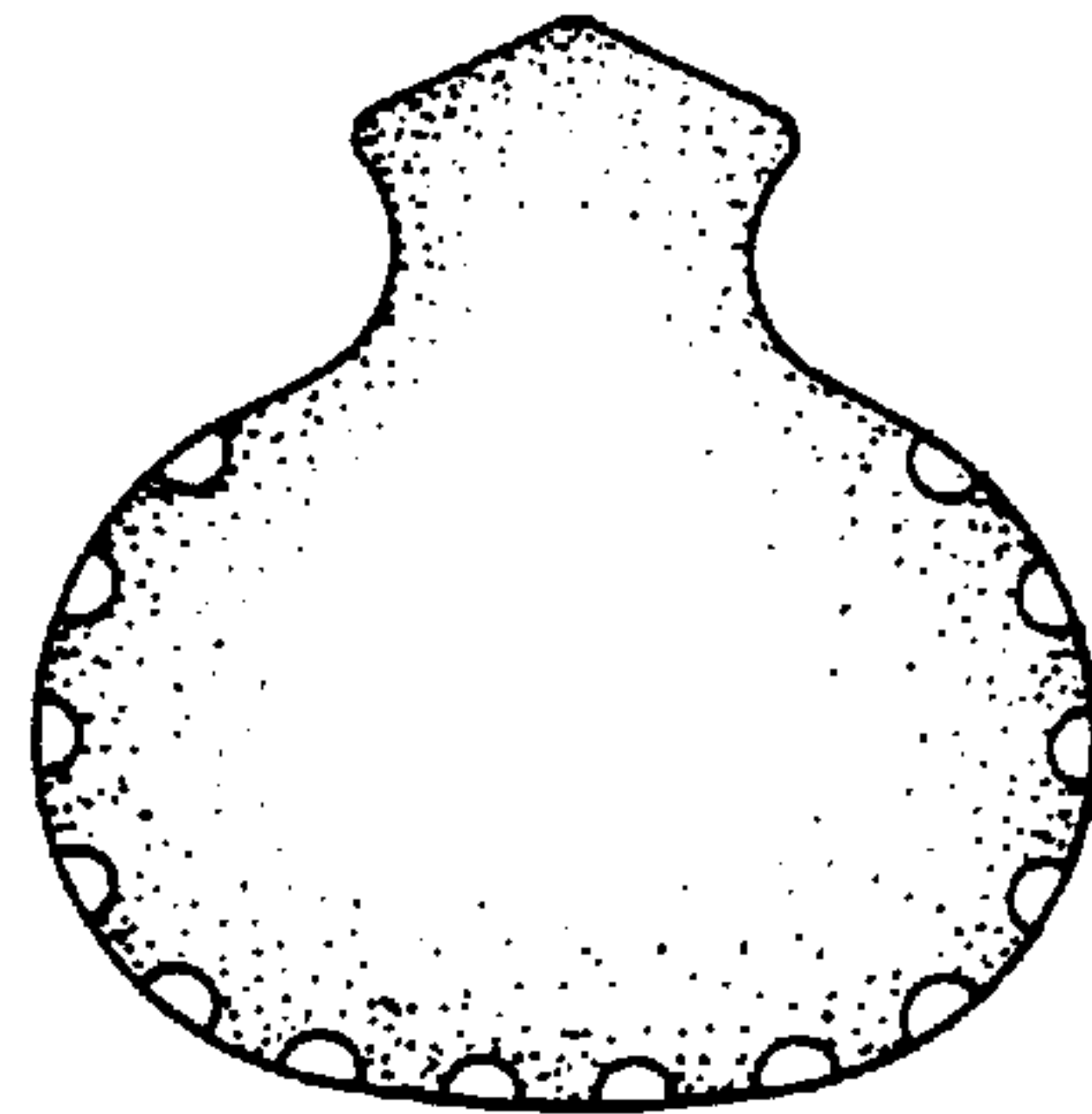


FIG. 5