



US00D403804S

United States Patent [19]
Silkaitis

[11] **Patent Number: Des. 403,804**

[45] **Date of Patent: **Jan. 5, 1999**

[54] **CIGARETTE AND CIGAR ASHTRAY FOR ANY CUP HOLDER**

D. 362,921 10/1995 Krystek D27/125
2,714,464 8/1955 Cline 131/240.1 X
3,944,110 3/1976 Willis D27/133 X

[76] Inventor: **Ed Silkaitis**, 651 Muskingum Ave.,
Pacific Palisades, Calif. 90272

Primary Examiner—Susan J. Lucas
Assistant Examiner—Jennifer Rivard

[**] Term: **14 Years**

[57] **CLAIM**

[21] Appl. No.: **82,358**

The ornamental design for a cigarette and cigar ashtray for any cup holder, as shown and described.

[22] Filed: **Jan. 21, 1998**

DESCRIPTION

[51] **LOC (6) Cl.** **27-03**

[52] **U.S. Cl.** **D27/126; D27/125; D27/102**

[58] **Field of Search** D27/102, 103,
D27/109, 118, 126, 125, 135, 136; 232/43.1-43.5;
131/231, 235.1, 240.1, 241, 238

FIG. 1 is a perspective view of the cigarette and cigar ashtray for any cup holder. The opposite perspective view is a mirror image of the first; and,

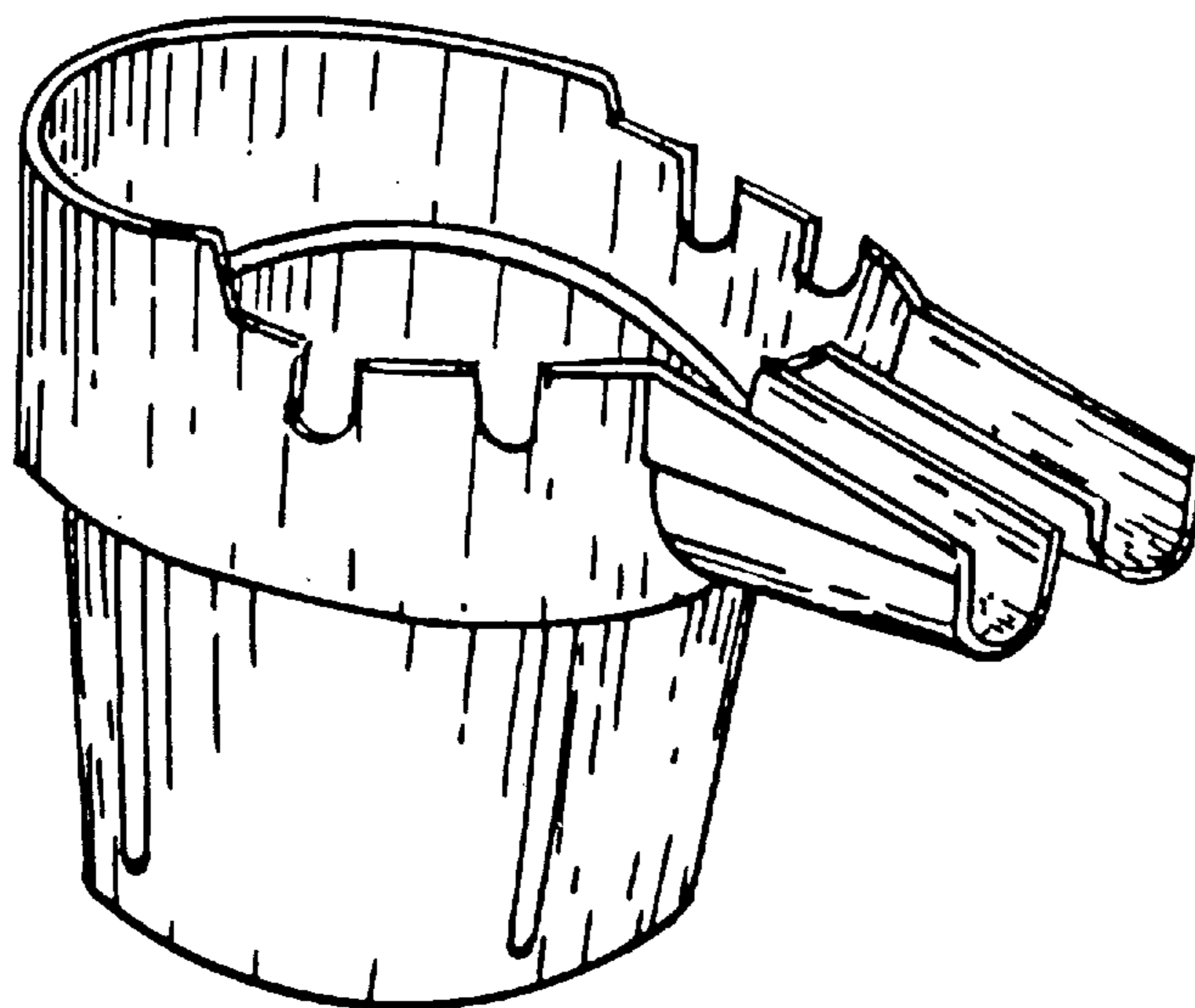
FIG. 2 is a top view of the cigarette and cigar ashtray for any cup holder.

[56] **References Cited**

U.S. PATENT DOCUMENTS

D. 262,996 2/1982 Rickmeir D27/135 X

1 Claim, 1 Drawing Sheet



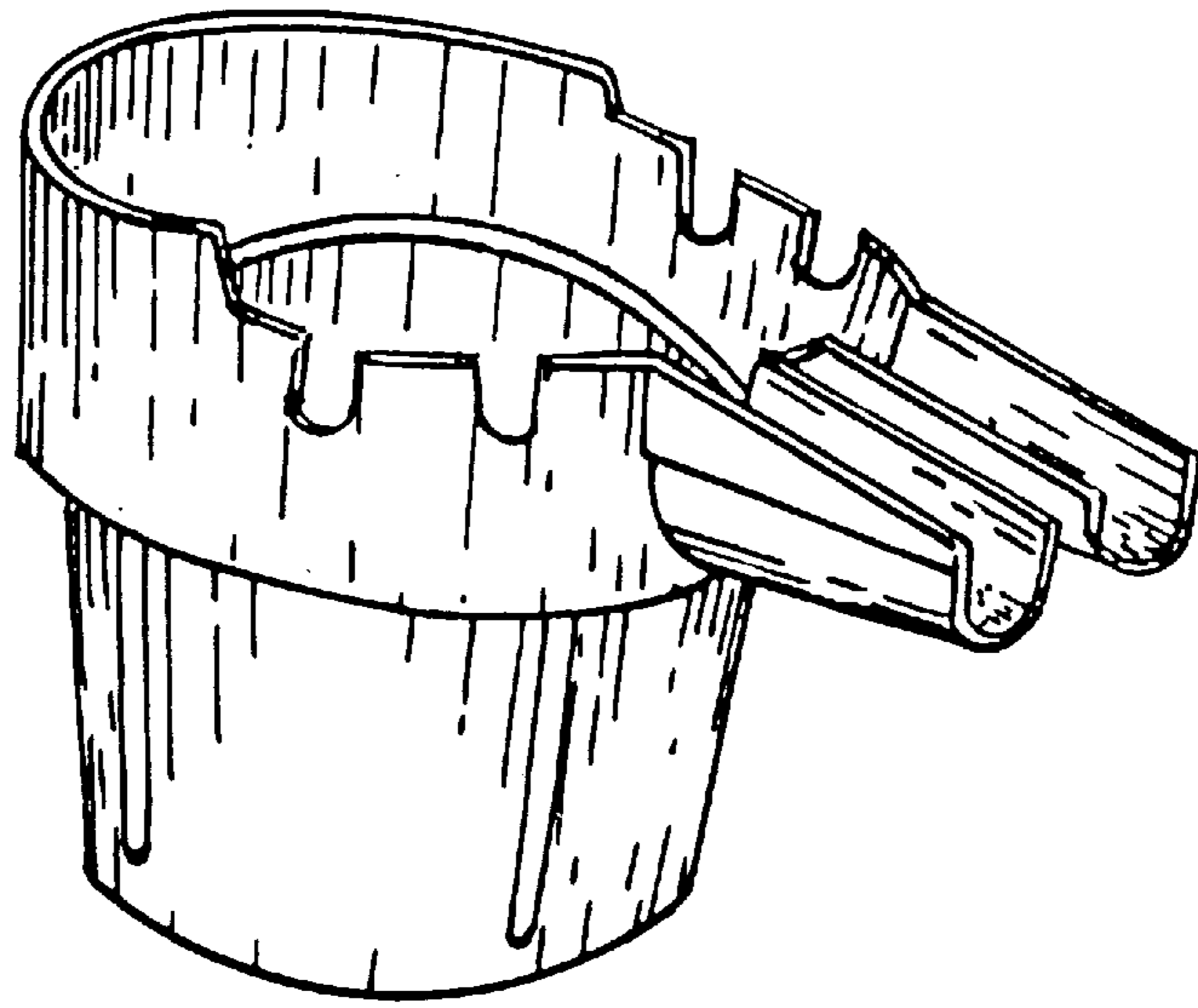


FIG. 1

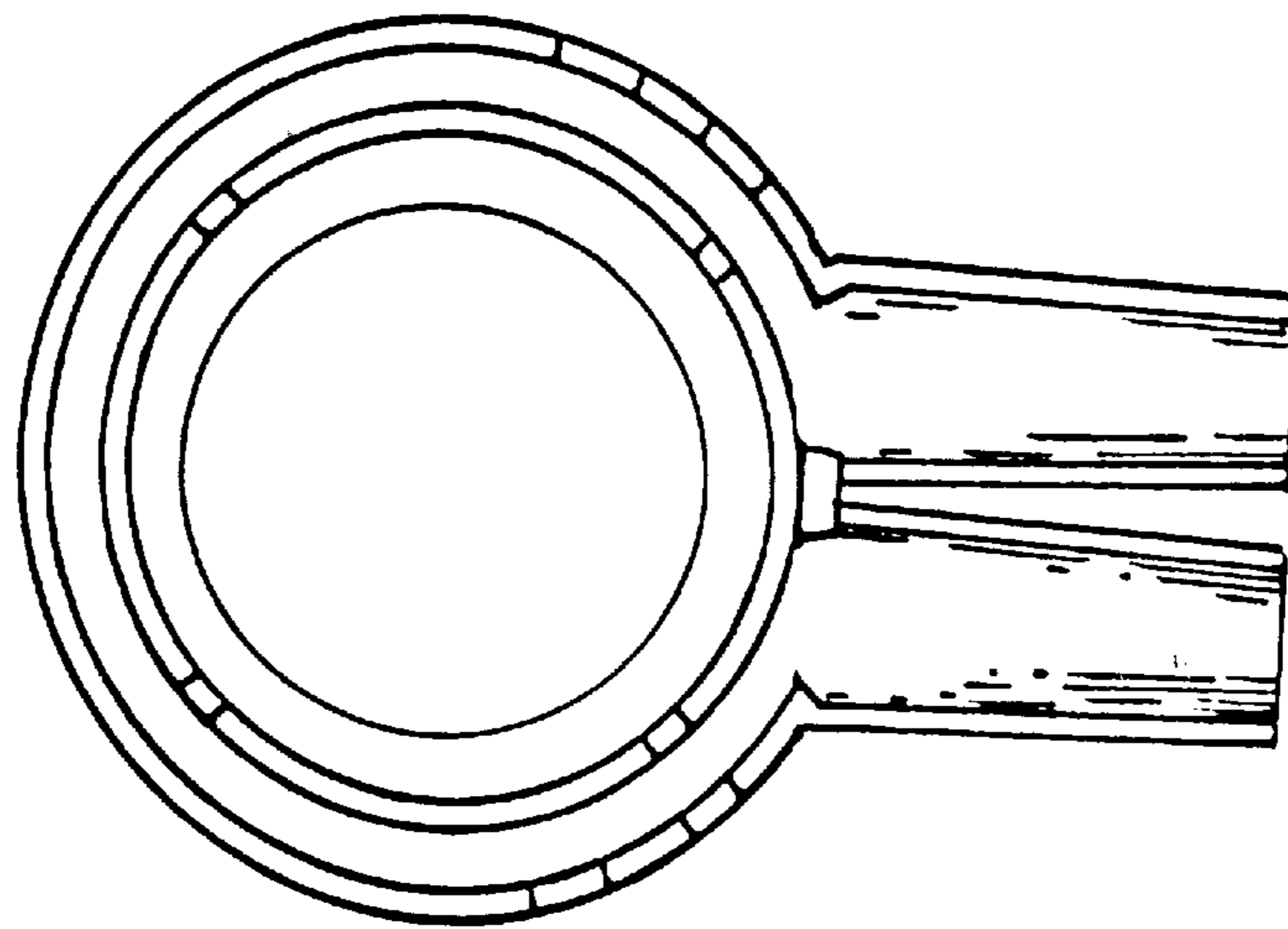


FIG. 2