



US00D403802S

United States Patent [19]
Moore

[11] **Patent Number: Des. 403,802**

[45] **Date of Patent: **Jan. 5, 1999**

[54] **END CAP FOR A VEHICLE LAMP**

[76] Inventor: **Dennis G. Moore**, 2602 Superior,
Livermore, Calif. 94550

[**] Term: **14 Years**

[21] Appl. No.: **59,987**

[22] Filed: **Sep. 19, 1996**

[51] **LOC (6) Cl.** **26-99**

[52] **U.S. Cl.** **D26/139; D20/42; D20/99;**
D26/28; D26/31

[58] **Field of Search** **D26/28-35; D10/114;**
362/61, 80, 80.1, 81, 82, 83, 83.2, 83.3,
227, 235, 236, 240, 243, 362

[56] **References Cited**

U.S. PATENT DOCUMENTS

D. 217,693	5/1970	Lee	D26/28
D. 220,360	3/1971	Rossi	D26/28
D. 246,131	10/1977	Schifrin	D26/28
D. 269,210	5/1983	Cutlip et al.	D26/28
D. 293,133	12/1987	Wood	D26/28
D. 315,217	3/1991	Gordon	D26/28
D. 334,821	4/1993	Morgan	D26/28
D. 385,982	11/1997	Moore	D26/28

Primary Examiner—Marcus A. Jackson
Attorney, Agent, or Firm—August E. Roehrig, Jr.; Hancock
& Estabrook

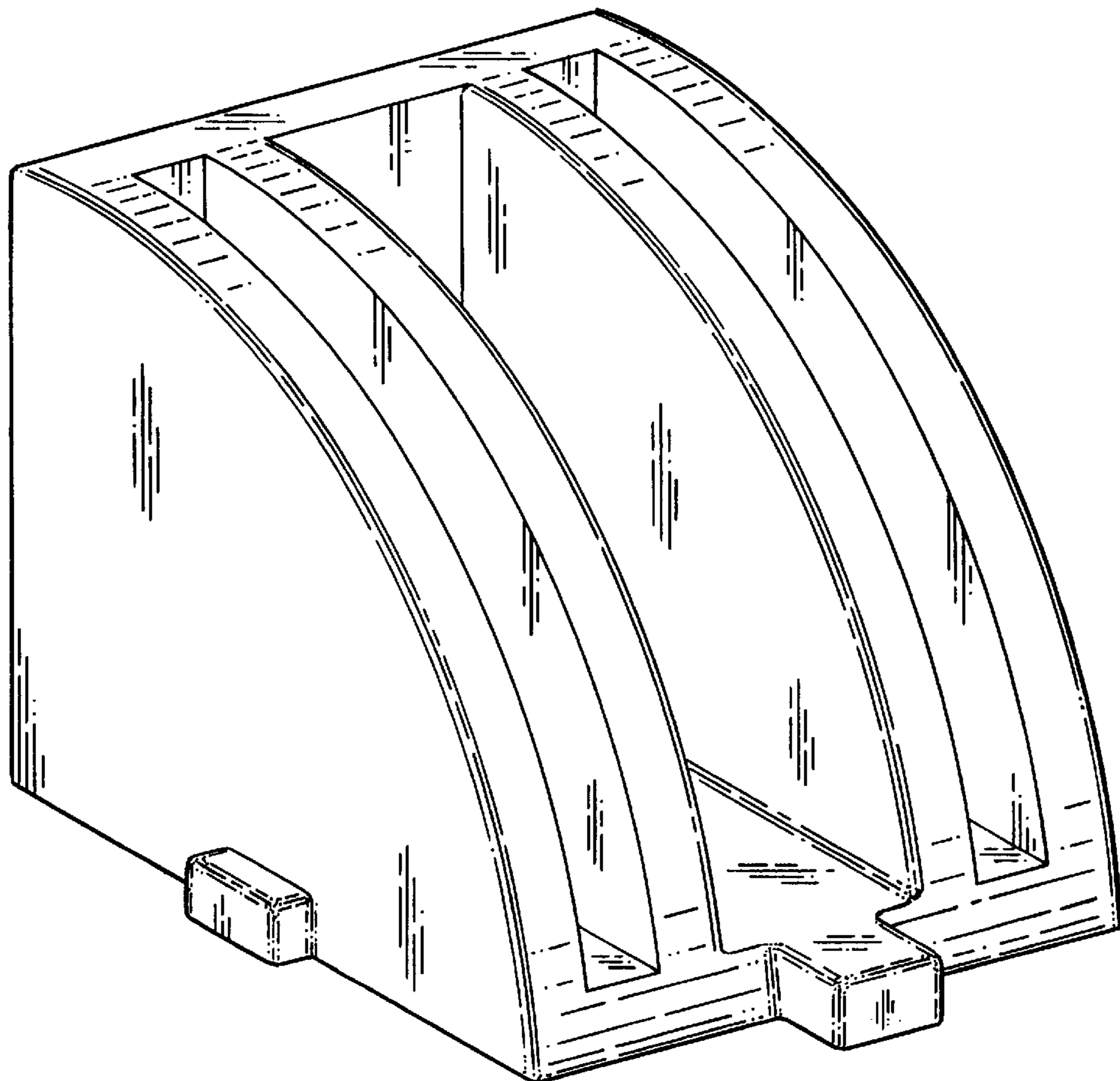
[57] **CLAIM**

The ornamental design for an end cap for a vehicle lamp, as shown and described.

DESCRIPTION

FIG. 1 is a front perspective view of an end cap for a vehicle lamp;
FIG. 2 is a front elevational view of an end cap for a vehicle lamp;
FIG. 3 is a right side elevational view of an end cap for a vehicle lamp illustrated in FIG. 2;
FIG. 4 is a left side elevational view of an end cap for a vehicle lamp illustrated in FIG. 2;
FIG. 5 is a top plan view of an end cap for a vehicle lamp illustrated in FIG. 2;
FIG. 6 is a rear plan view of an end cap for a vehicle lamp illustrated in FIG. 2; and,
FIG. 7 is a reduced perspective view of the claimed design shown in use thereof, with the broken line showing for illustrative purposes only and forming no part of the claimed design.

1 Claim, 3 Drawing Sheets



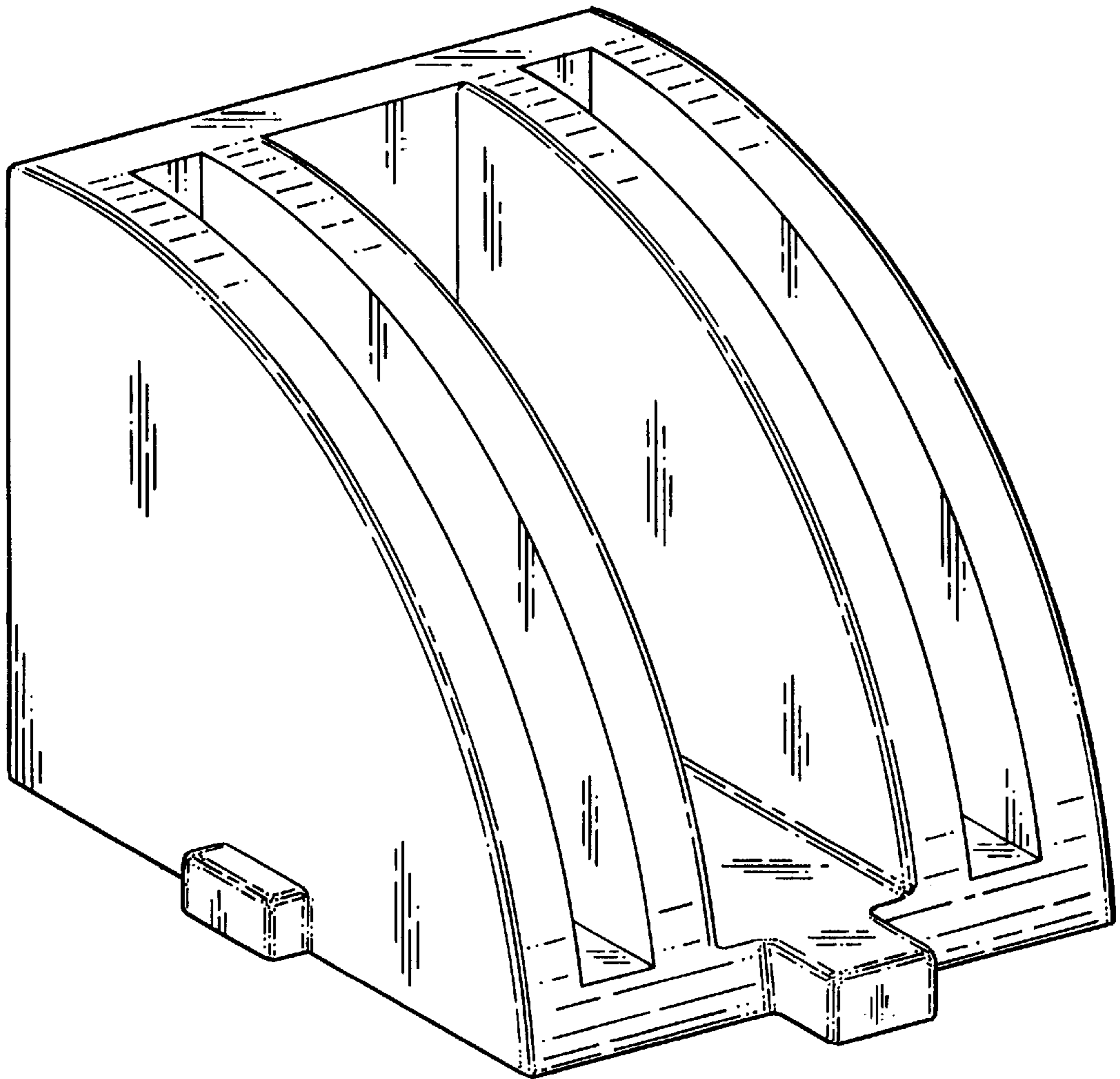


FIG. 1

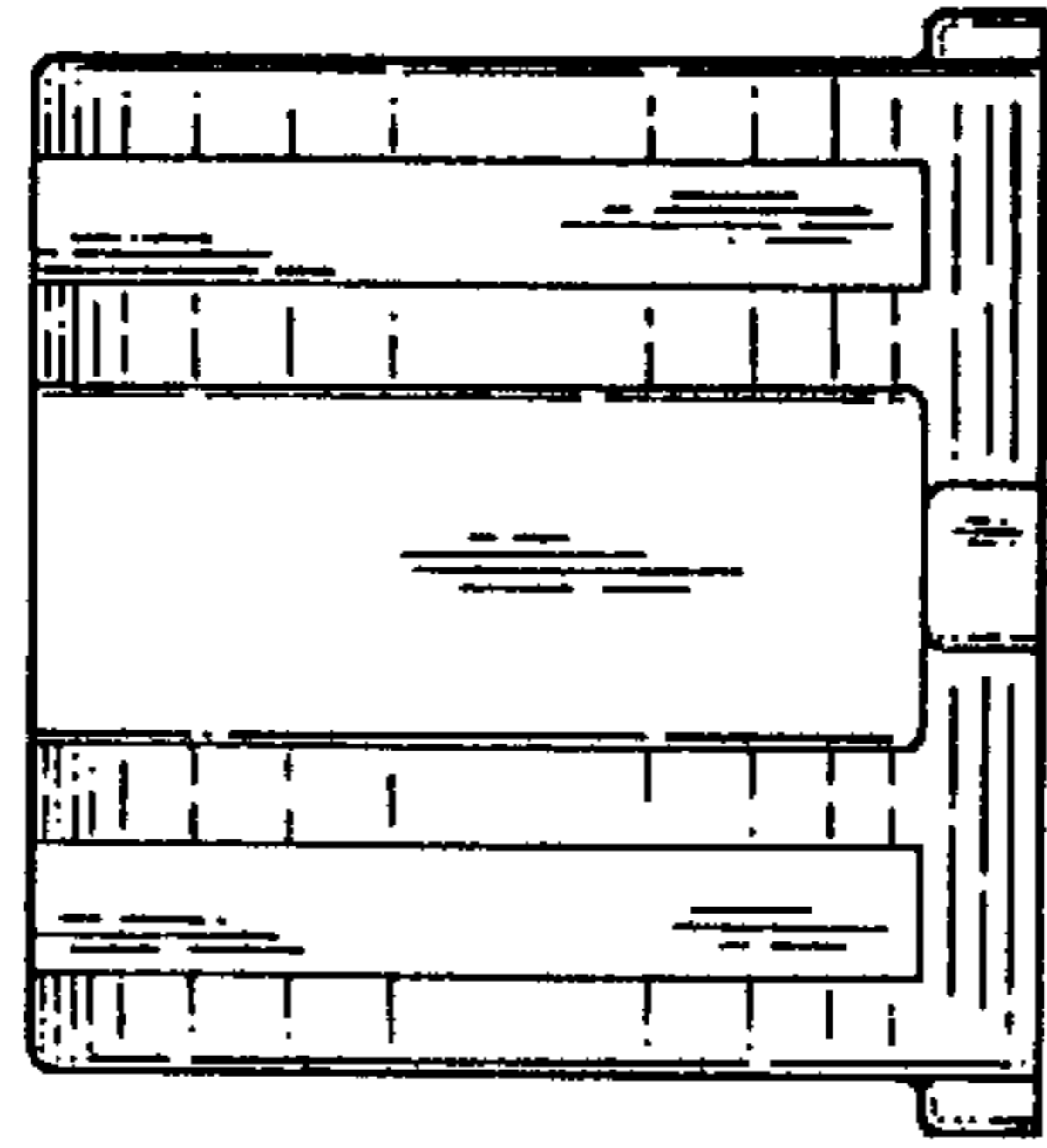


FIG. 2

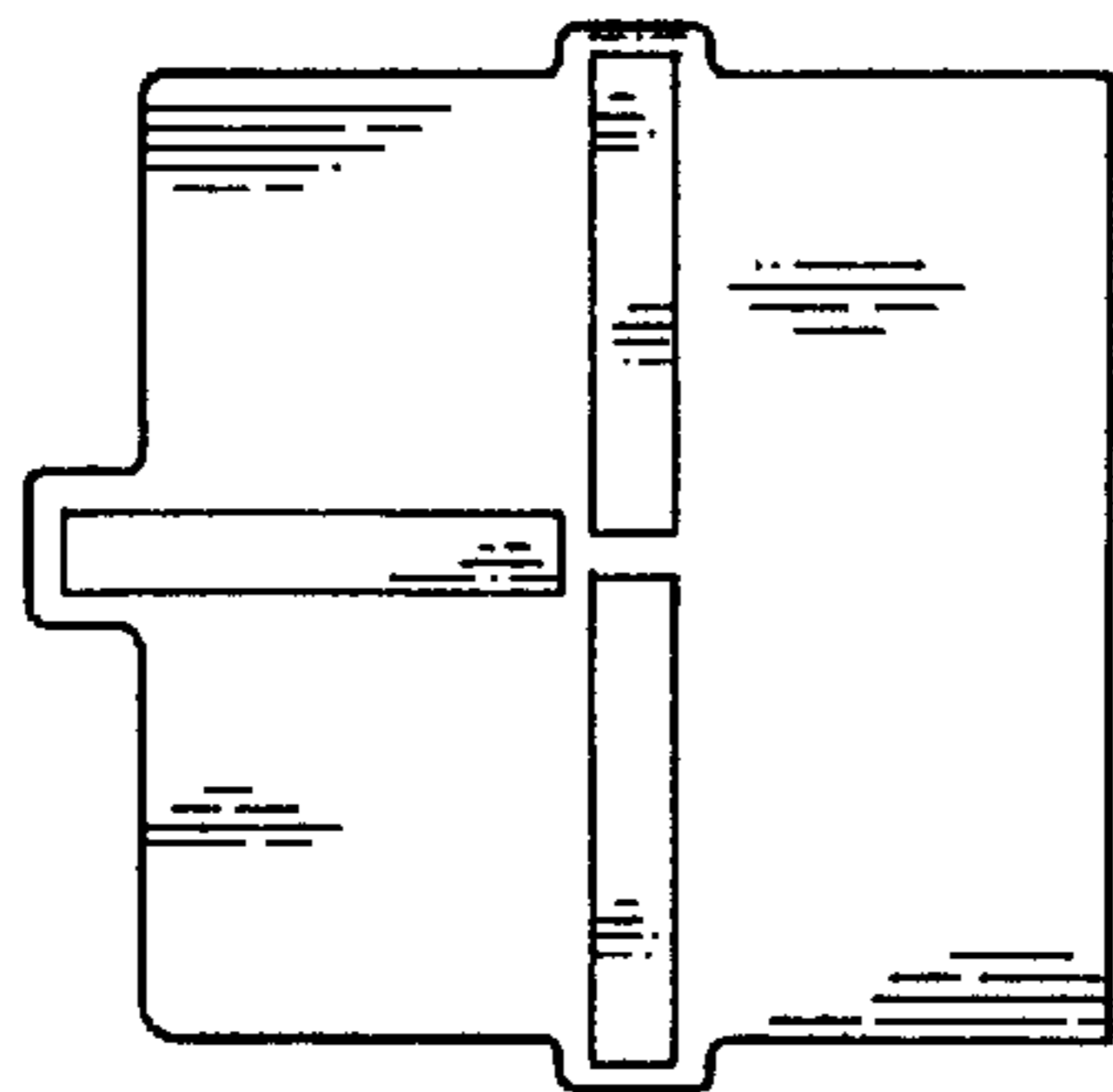


FIG. 3

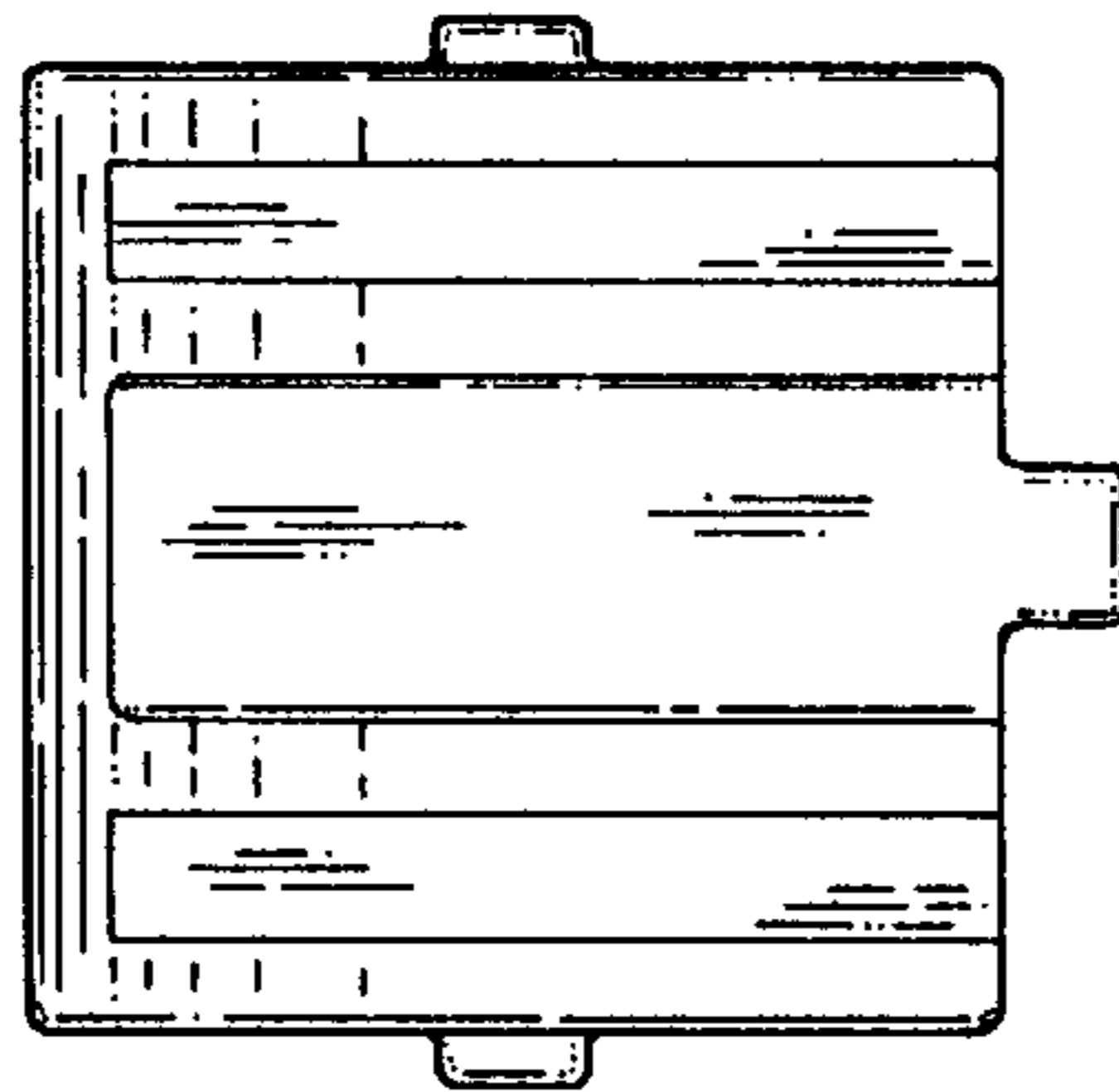


FIG. 4



FIG. 6

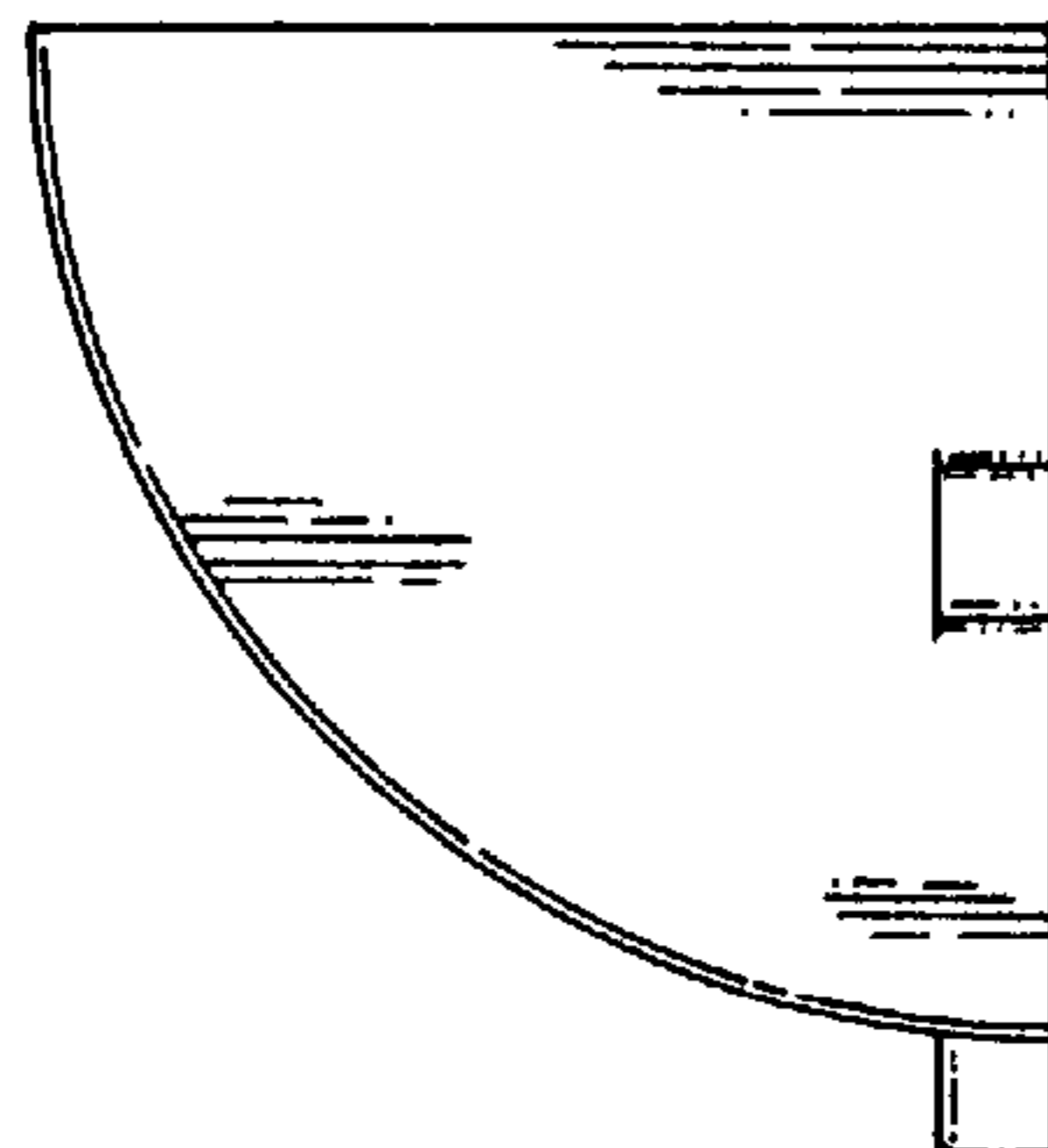


FIG. 5

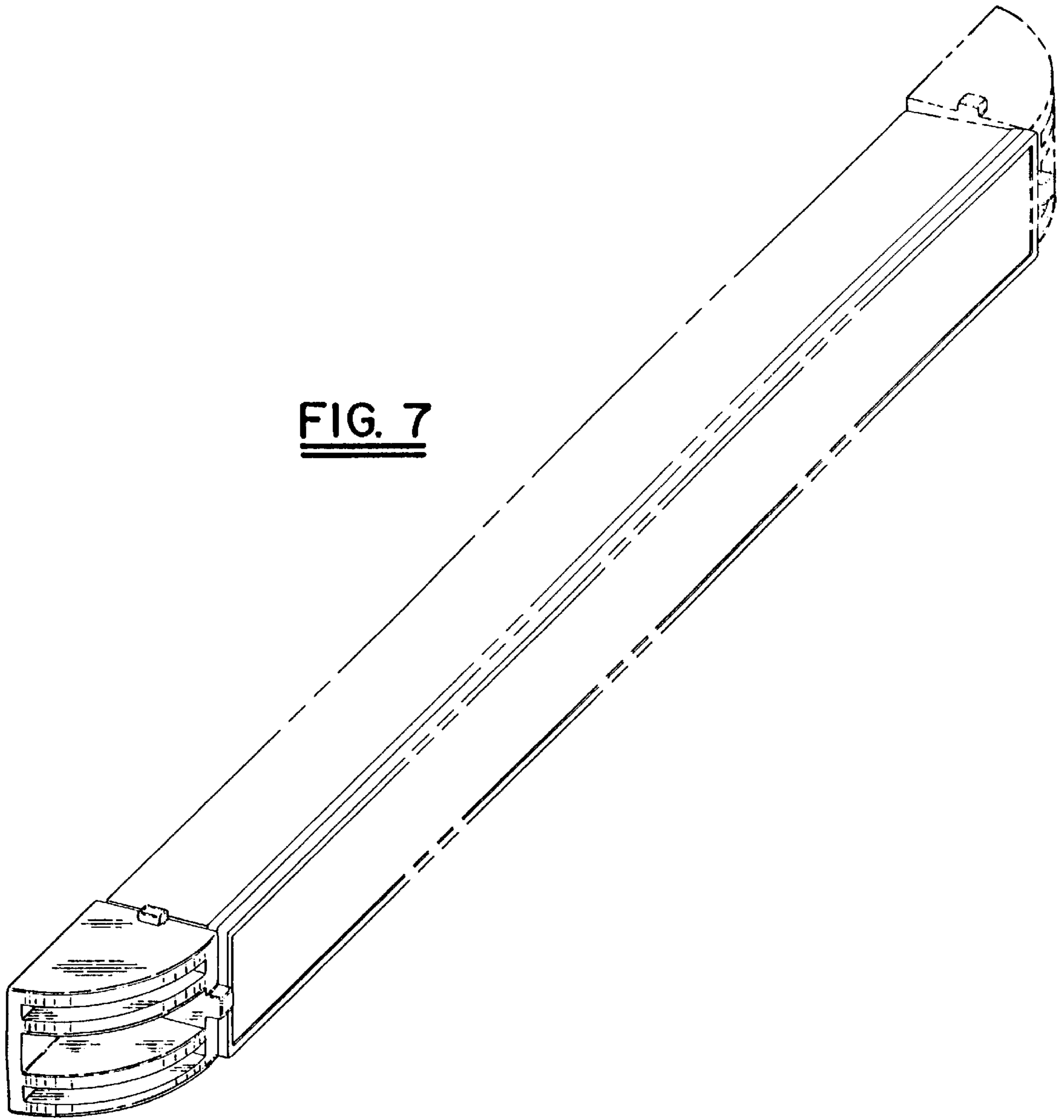


FIG. 7