



US00D403801S

United States Patent [19] Summers

[11] **Patent Number: Des. 403,801**

[45] **Date of Patent: **Jan. 5, 1999**

[54] **DECORATIVE LIGHT MOUNTING STRIP**

[76] Inventor: **Raven Summers**, 303 SE. Hering Rd.,
Madras, Oreg. 97741

[**] Term: **14 Years**

[21] Appl. No.: **59,052**

[22] Filed: **Aug. 30, 1996**

[51] **LOC (6) Cl. 20-99**

[52] **U.S. Cl. D26/138**

[58] **Field of Search D8/349, 354; D26/138;**
362/296, 249, 250, 258, 368

[56] **References Cited**

U.S. PATENT DOCUMENTS

D. 309,706	8/1990	Propp	D8/345 X
D. 357,172	4/1995	Hau	D8/354
5,113,329	5/1992	Lin	362/238
5,613,762	3/1997	Agabekov	362/240

Primary Examiner—Holly Baynham
Attorney, Agent, or Firm—Harold H. Dutton, Jr.

[57] **CLAIM**

The ornamental design for a decorative light mounting strip,
as shown.

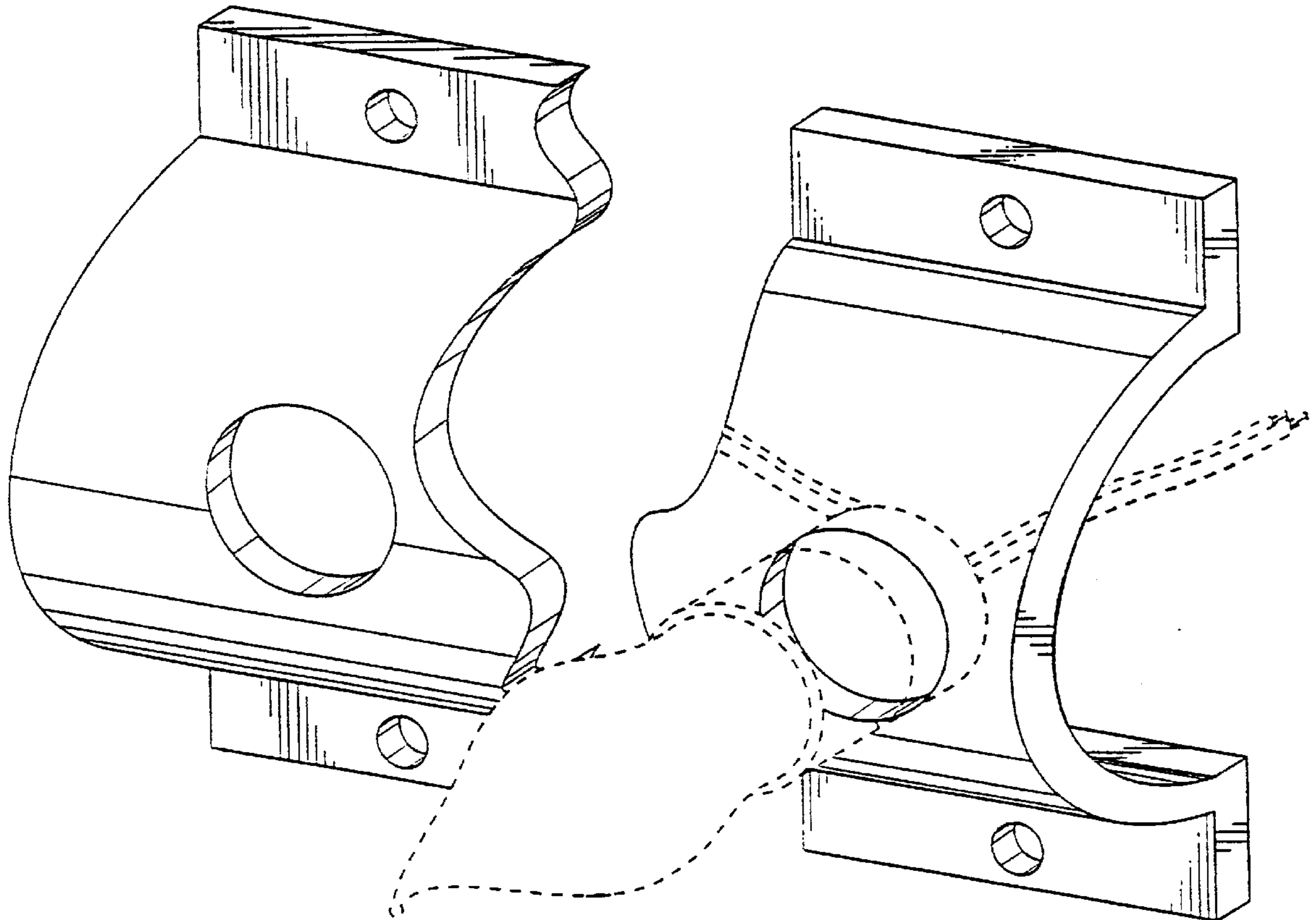
DESCRIPTION

FIG. 1 is a perspective view of a decorative light mounting strip showing my new design;
FIG. 2 is a reduced front view thereof;
FIG. 3 is a rear view thereof;
FIG. 4 is a right side view thereof;
FIG. 5 is a left side view thereof;
FIG. 6 is a bottom view thereof; and,
FIG. 7 is a top view thereof.

The broken line showing of a light bulb is for illustrative purposes only and forms no part of the claimed design.

The claimed design is broken away in FIGS. 1-4, 6 and 7 to indicate indeterminate length.

1 Claim, 4 Drawing Sheets



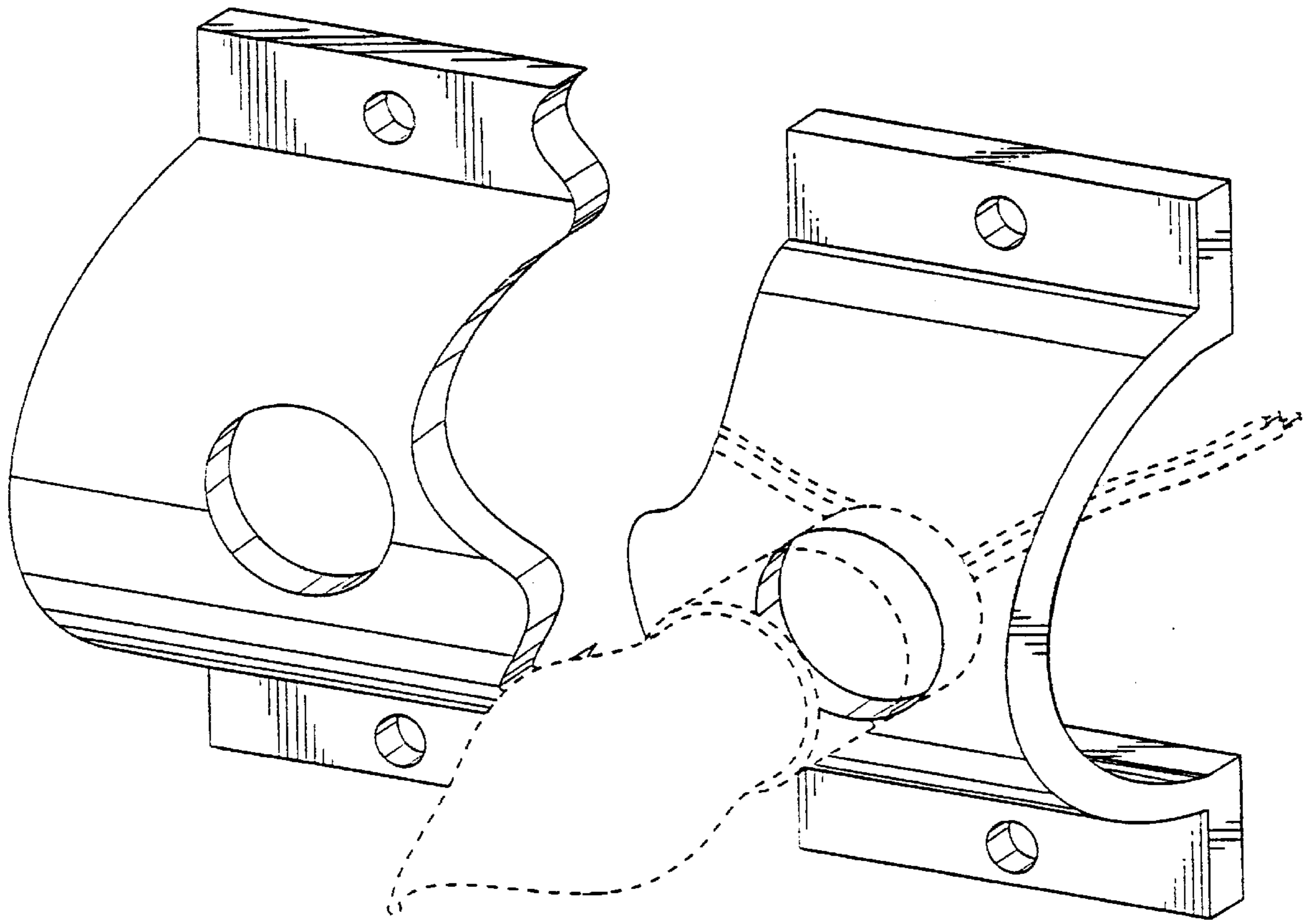


FIG. 1

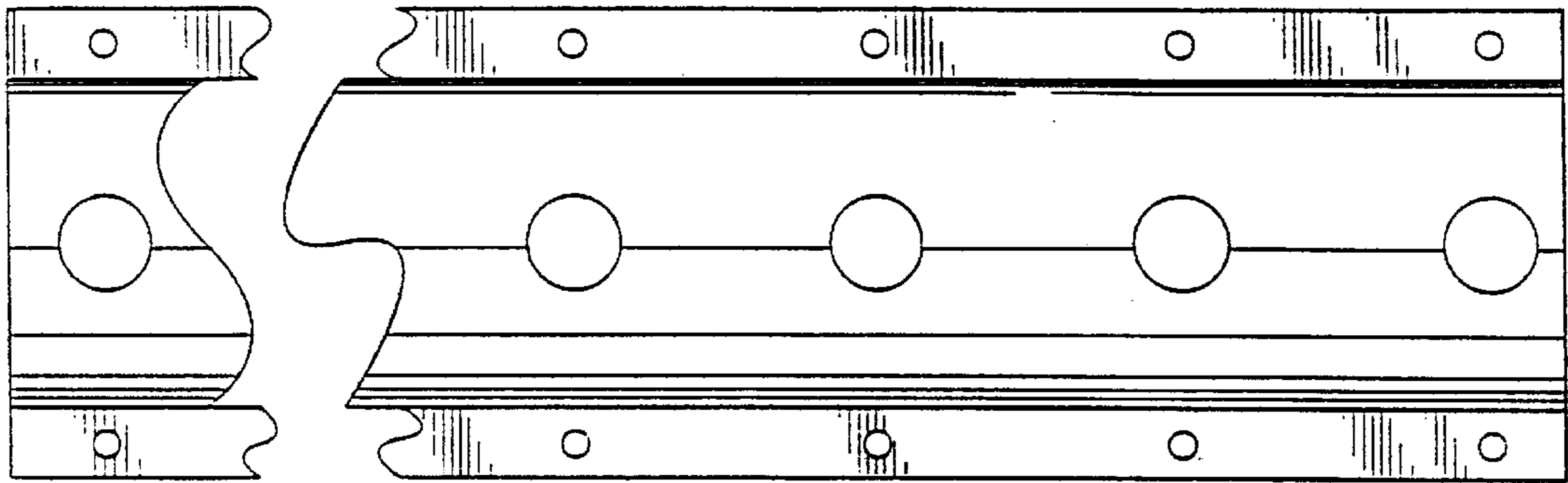


FIG. 2

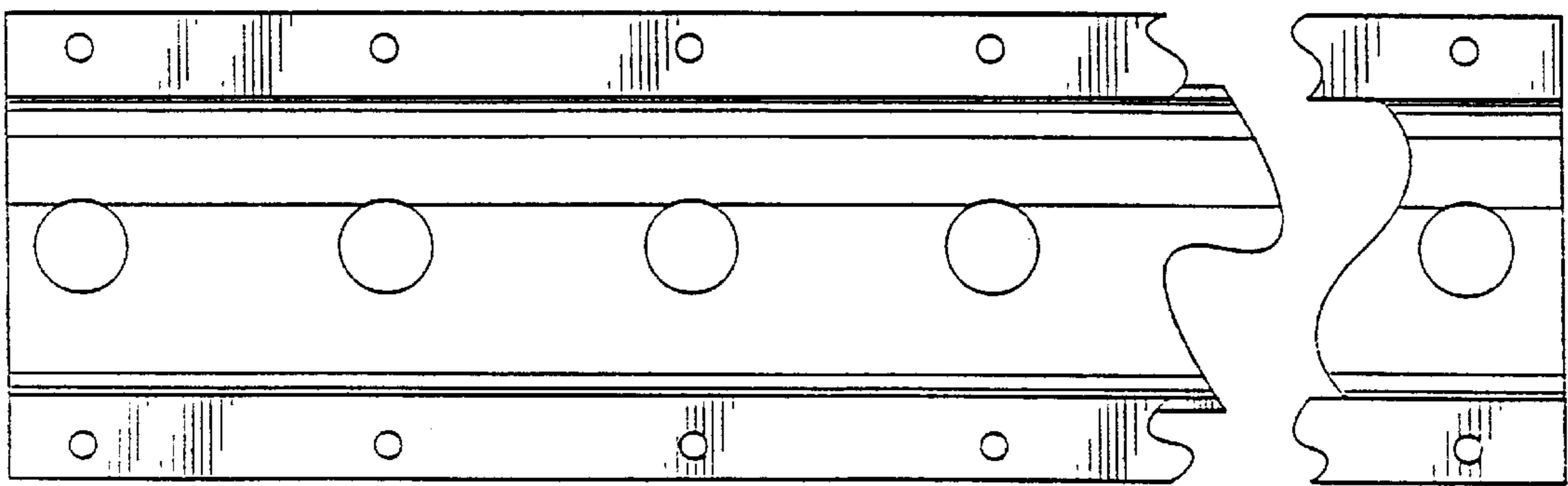


FIG. 3

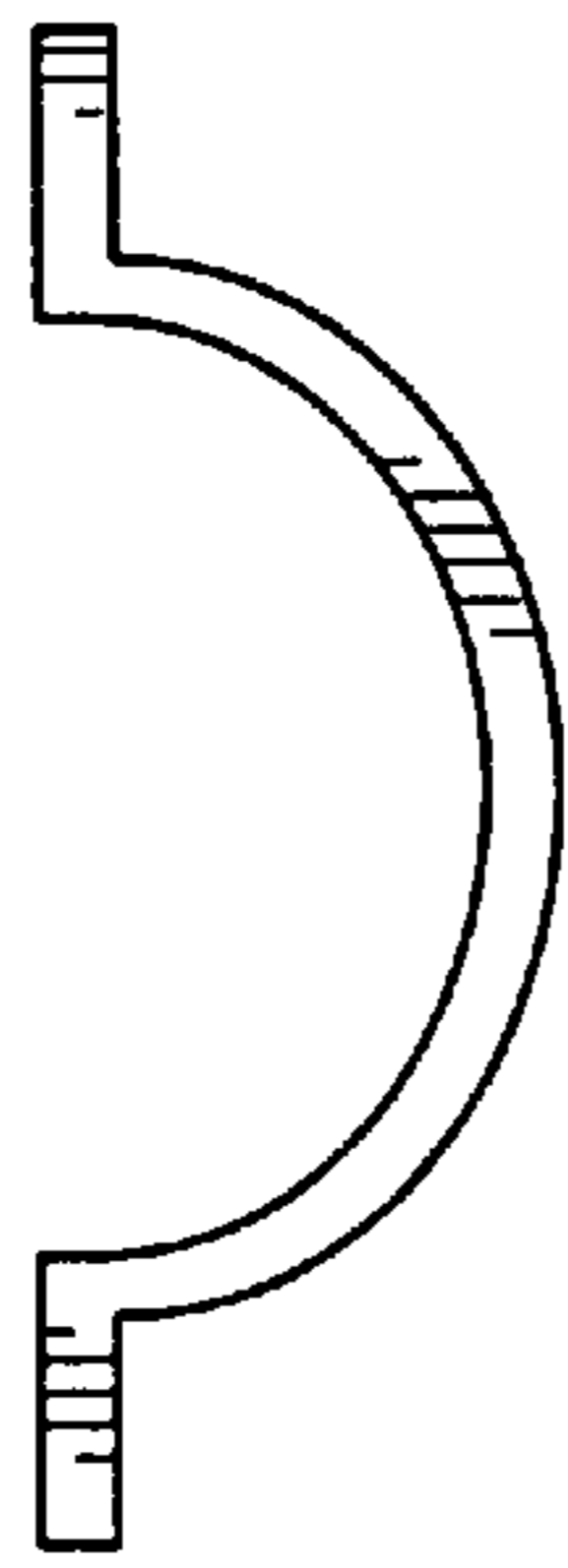


FIG. 4

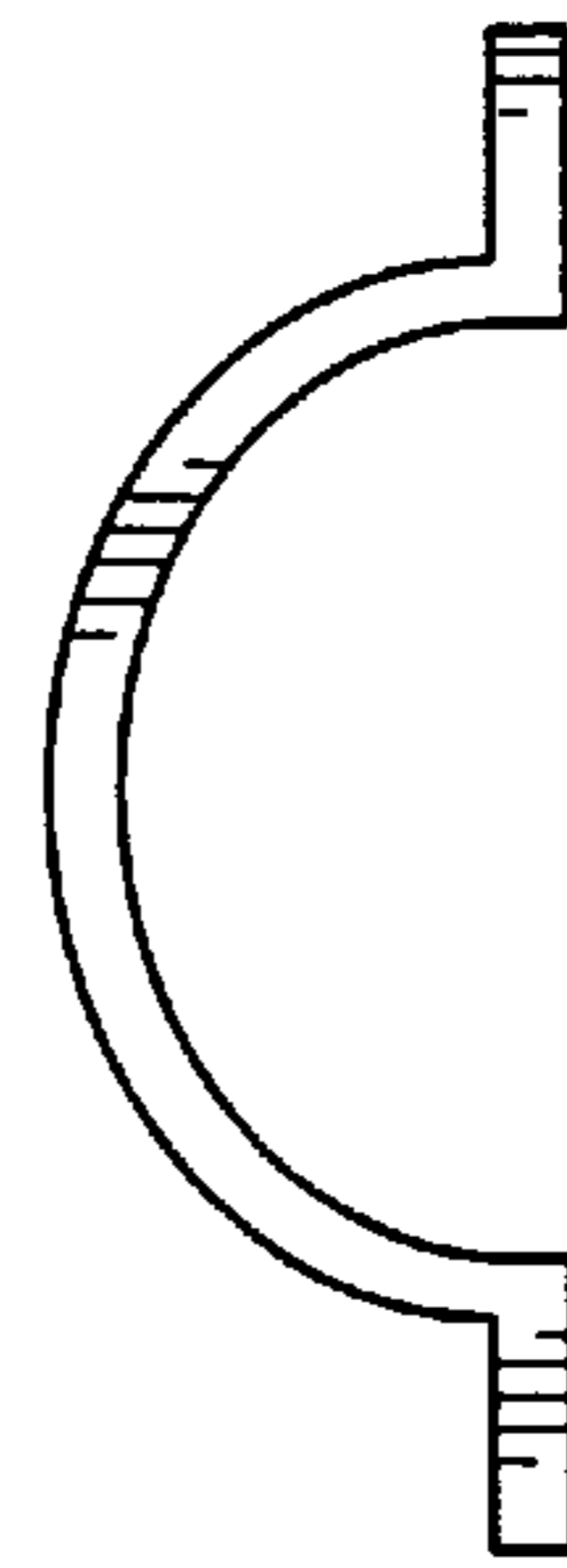


FIG. 5

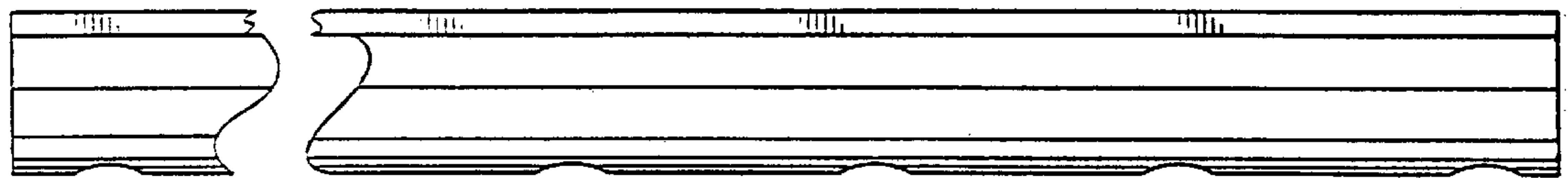


FIG. 6

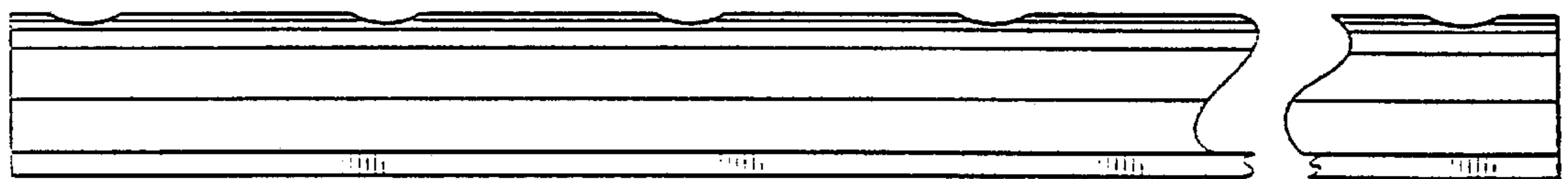


FIG. 7