



US00D403798S

United States Patent [19]

[11] **Patent Number:** **Des. 403,798**

Dolan

[45] **Date of Patent:** ****Jan. 5, 1999**

[54] **WALL MOUNTED LIGHT FIXTURE**

D. 392,769 3/1998 Dolan D26/134

[76] Inventor: **Patrick S. Dolan**, 1901 NW. Upshur,
Portland, Oreg. 97209

Primary Examiner—Susan J. Lucas

[**] Term: **14 Years**

[57] CLAIM

[21] Appl. No.: **81,588**

The ornamental design for a wall mounted light fixture, as shown and described.

[22] Filed: **Jan. 7, 1998**

DESCRIPTION

[51] **LOC (6) Cl.** **26-05**

FIG. 1 is a perspective view thereof;

[52] **U.S. Cl.** **D26/87**

FIG. 2 is a front view thereof;

[58] **Field of Search** D26/72, 80-92,
D26/128-136; 362/404-408, 432, 147

FIG. 3 is a left side view, the right side being a mirror image;

FIG. 4 is a top plan view thereof; and,

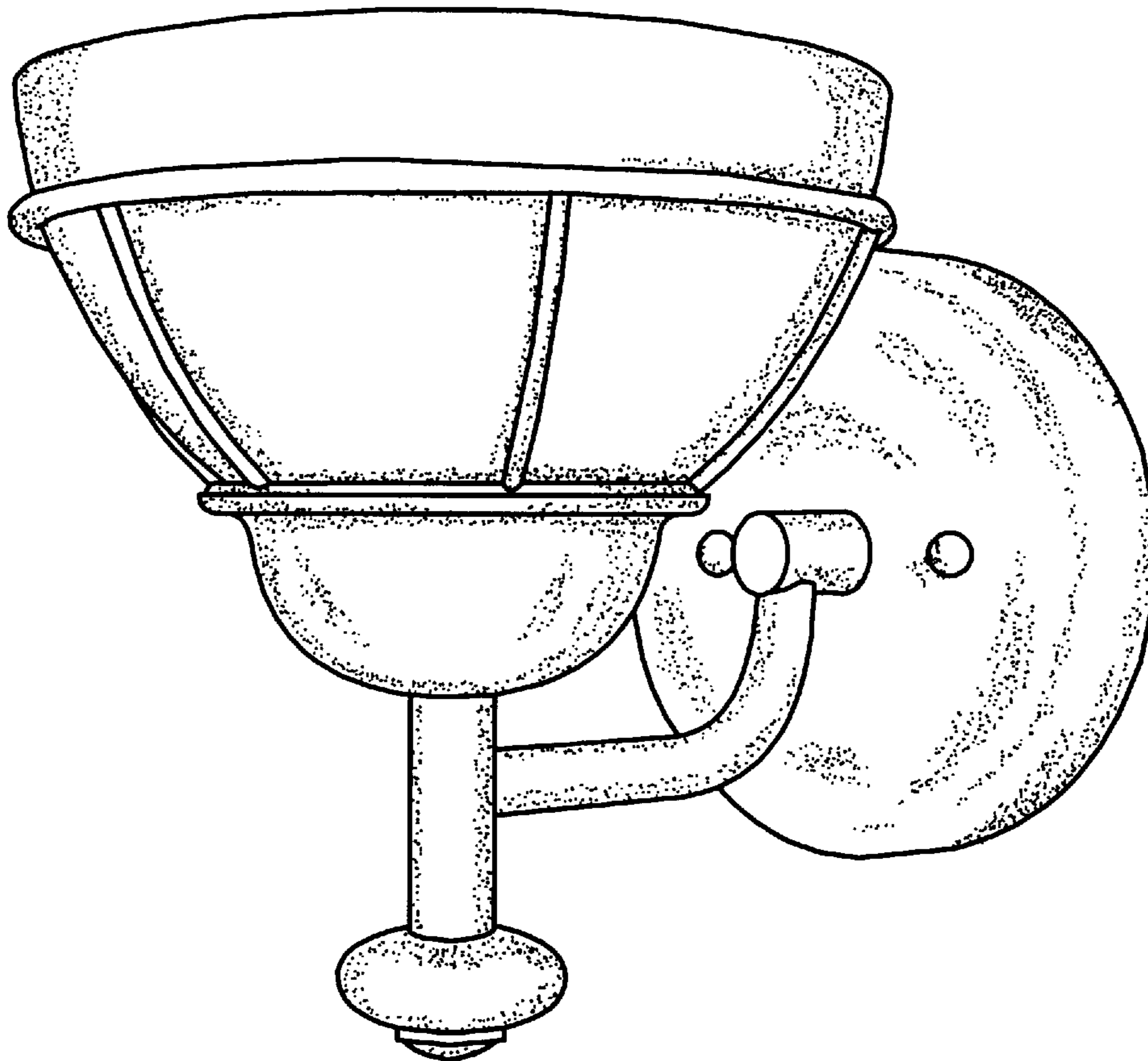
FIG. 5 is a bottom plan view thereof.

[56] References Cited

U.S. PATENT DOCUMENTS

D. 380,851 7/1997 Dolan D26/92

1 Claim, 5 Drawing Sheets



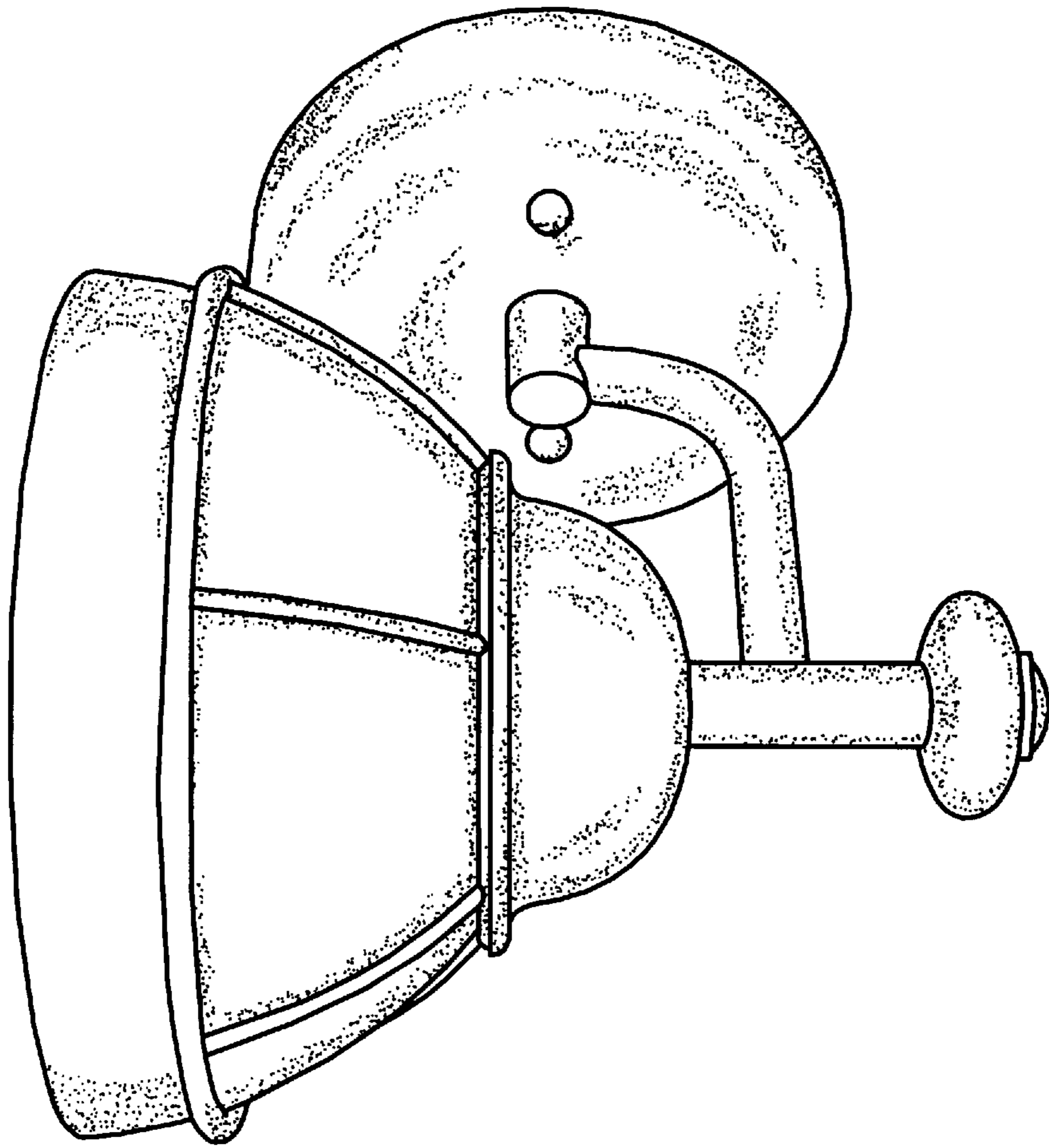


FIG. 1

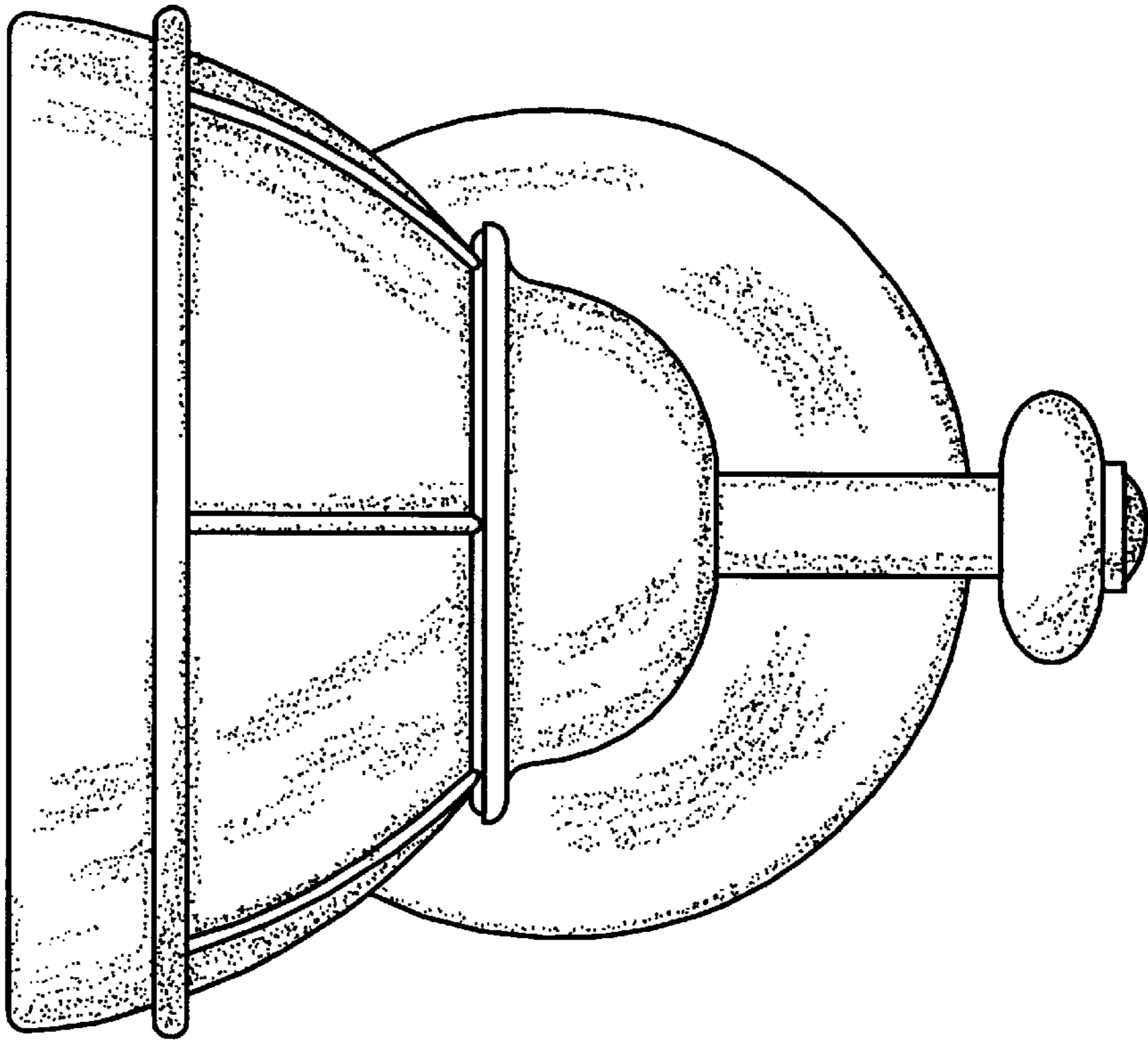


FIG. 2

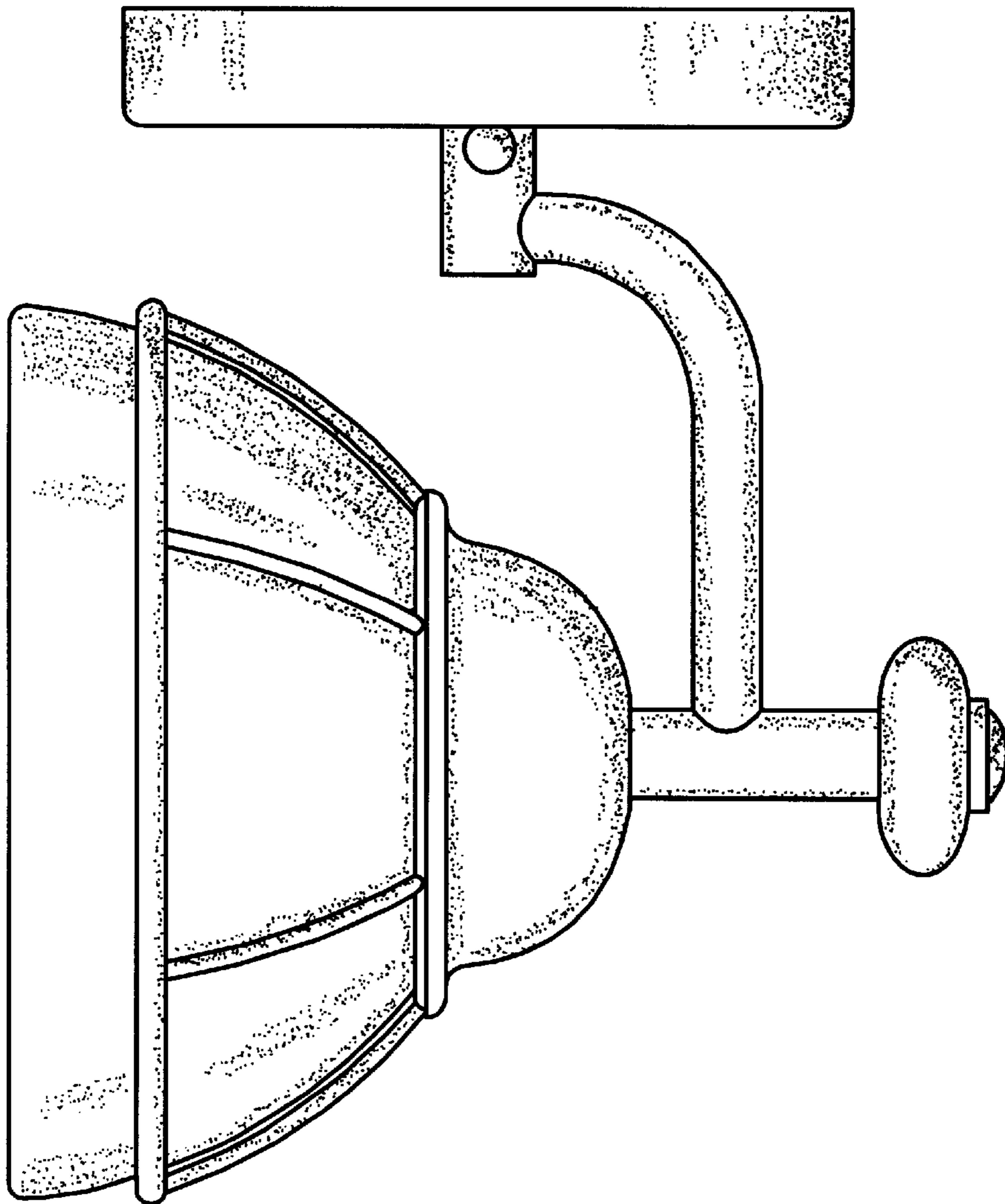


FIG. 3

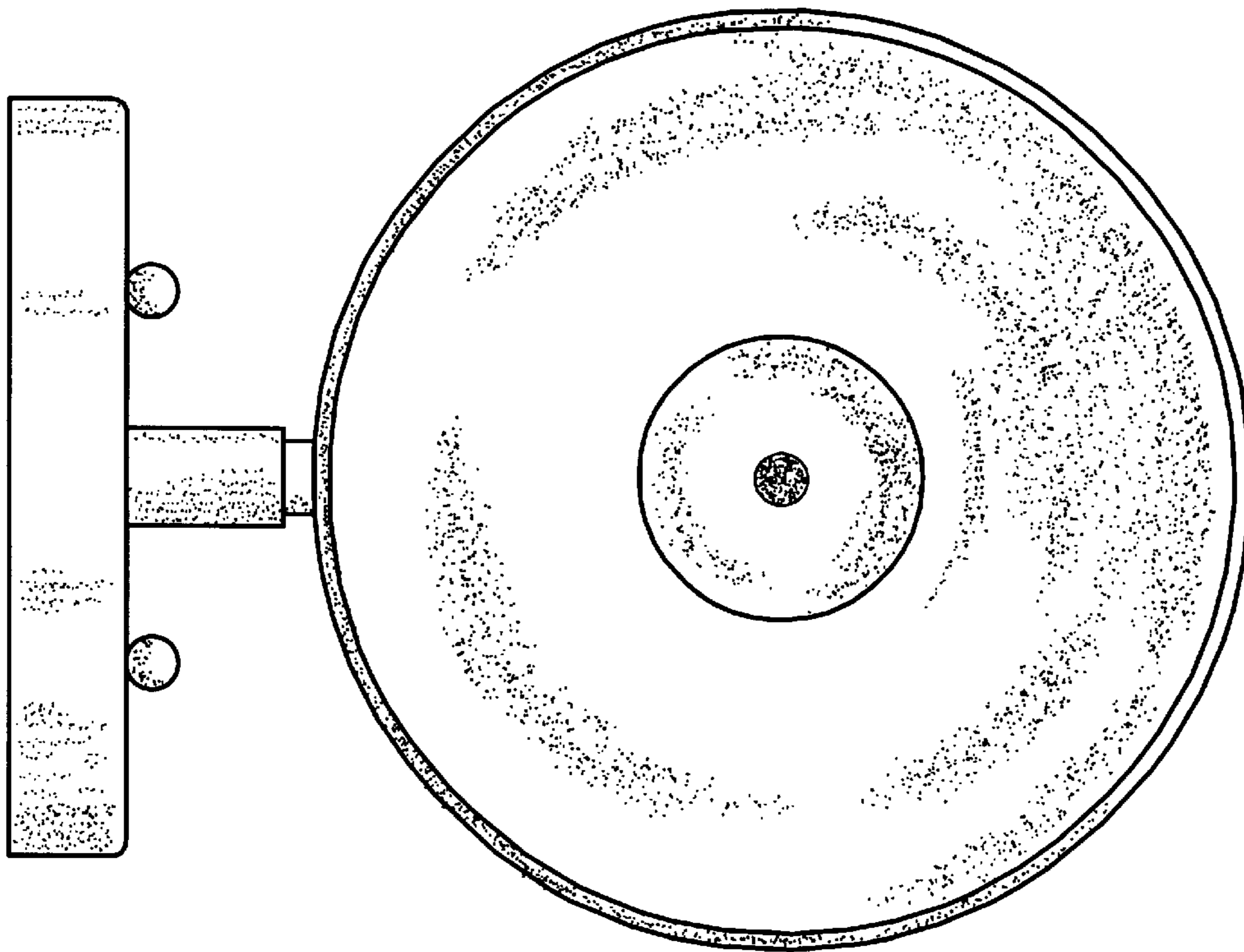


FIG. 4

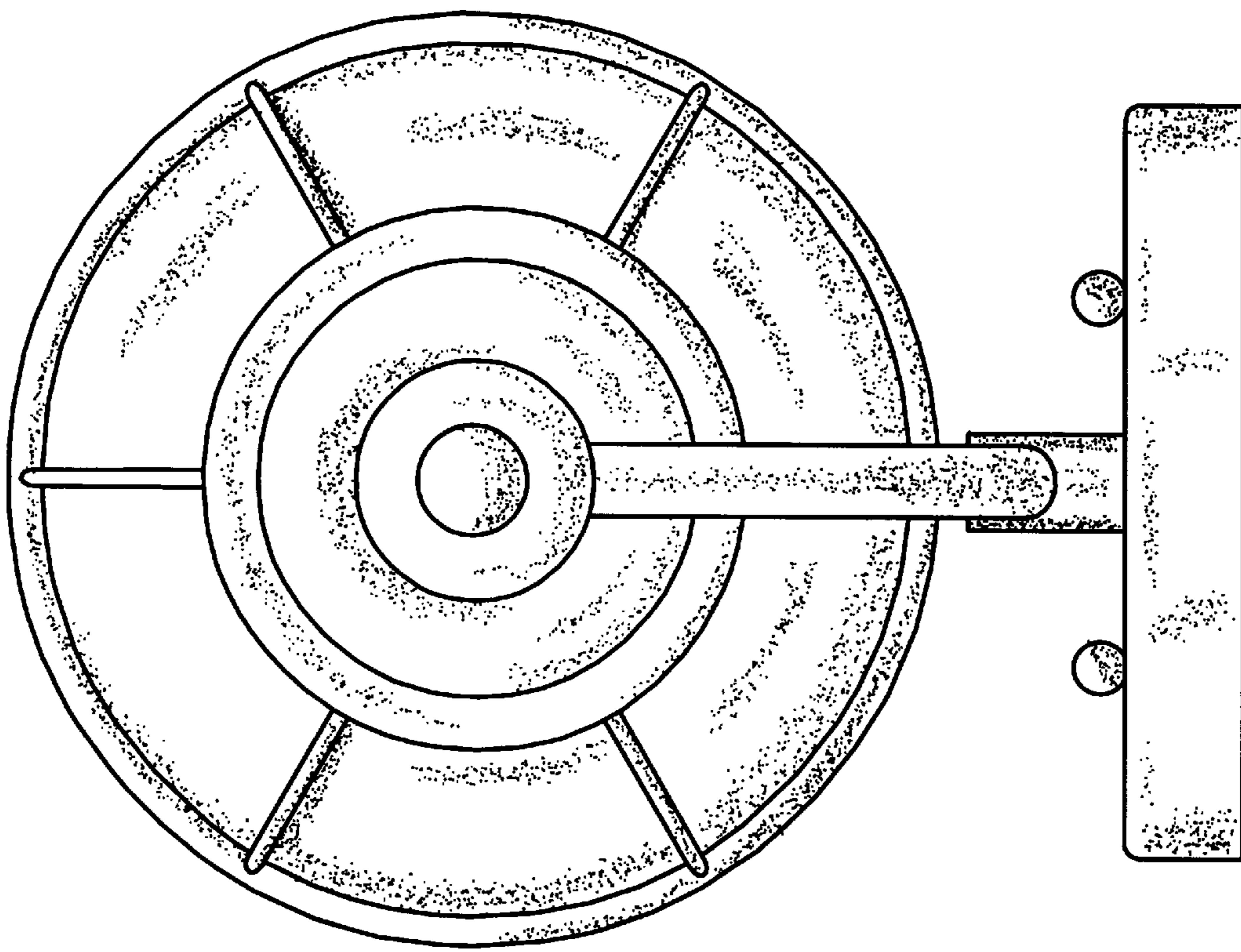


FIG. 5