



US00D403797S

**United States Patent** [19]  
**Von Kluck**

[11] **Patent Number: Des. 403,797**

[45] **Date of Patent: \*\*Jan. 5, 1999**

[54] **WALL LAMP**

[75] Inventor: **Kevin Von Kluck**, Hudson, Ohio

[73] Assignee: **The L.D. Kichler Co.**, Cleveland, Ohio

[\*\*] Term: **14 Years**

[21] Appl. No.: **76,881**

[22] Filed: **Sep. 24, 1997**

[51] **LOC (6) Cl.** ..... **26-05**

[52] **U.S. Cl.** ..... **D26/87; D26/73**

[58] **Field of Search** ..... **D26/72, 85, 87,**  
**D26/92, 73, 101; 362/147, 432, 367, 806;**  
**D25/53**

[56] **References Cited**

**U.S. PATENT DOCUMENTS**

- D. 193,157 7/1962 O'Donaughy et al. .... D25/53
- D. 385,376 10/1997 Milicia ..... D26/73
- D. 385,377 10/1997 Kay ..... D26/73

**OTHER PUBLICATIONS**

Home Lighting and Accessories, p. 58, Thomas Industries wall lantern, Mar. 1995.  
Home Lighting and Accessories, p. 58, Focus Industries post lamp, Mar. 1996.

*Primary Examiner*—Susan J. Lucas  
*Attorney, Agent, or Firm*—Watts, Hoffmann, Fisher & Heinke, Co., L.P.A.

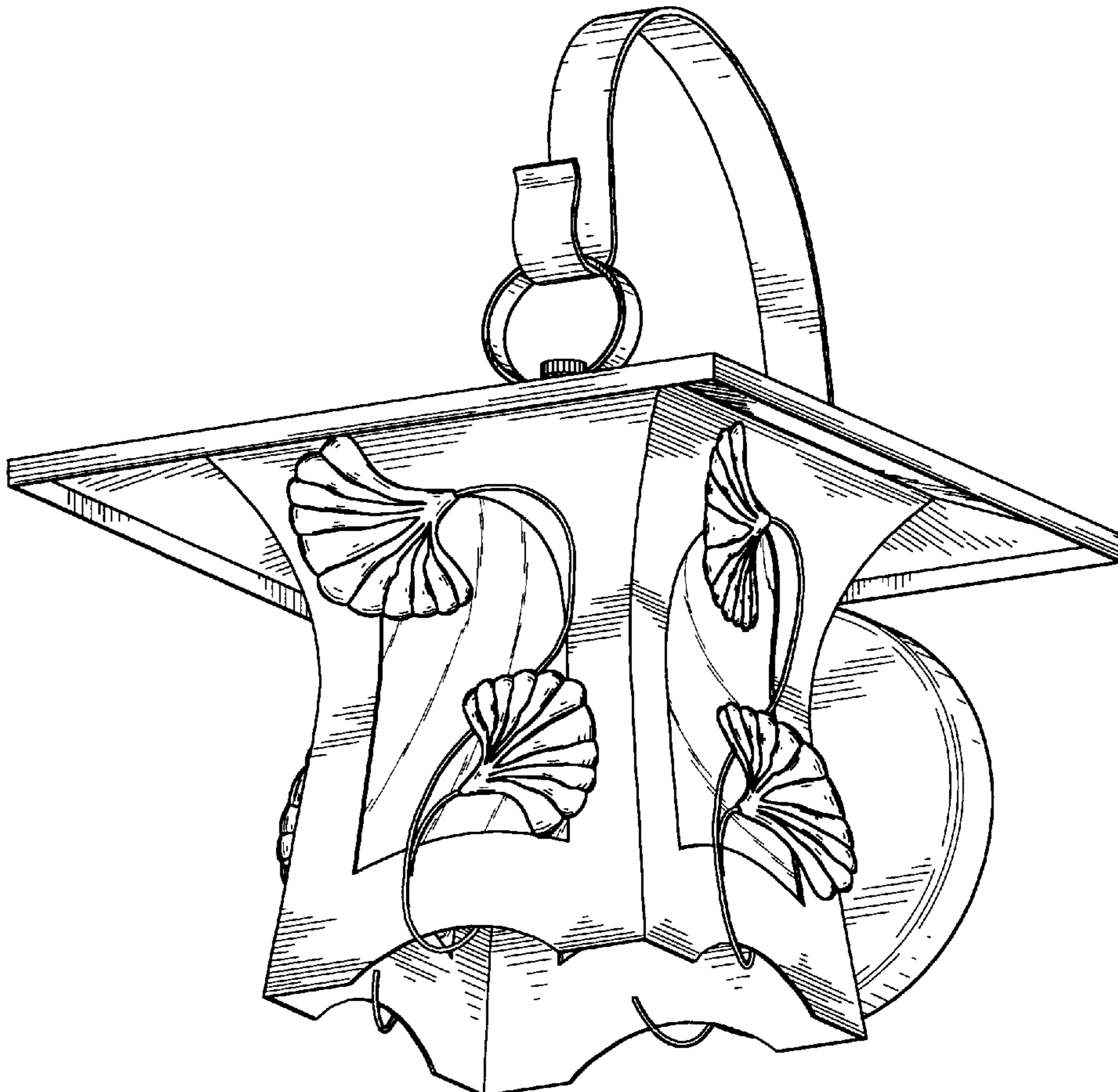
[57] **CLAIM**

I claim the ornamental design for a wall lamp, as shown and described.

**DESCRIPTION**

FIG. 1 is a perspective view of a wall lamp showing my new design;  
FIG. 2 is a front elevational view of the wall lamp;  
FIG. 3 is a right side elevational view of the wall lamp, the left side elevational view being a mirror image;  
FIG. 4 is a rear elevational view of the wall lamp;  
FIG. 5 is a top plan view of the wall lamp;  
FIG. 6 is a bottom plan view of the wall lamp;  
FIG. 7 is a perspective view of a second embodiment of the new design;  
FIG. 8 is a front elevational view of a second embodiment of the new design;  
FIG. 9 is a right side elevational view of a second embodiment of the new design, the left side being a mirror image;  
FIG. 10 is a rear elevational view of a second embodiment of the new design;  
FIG. 11 is a top plan view thereof; and,  
FIG. 12 is a bottom plan view thereof.

**1 Claim, 6 Drawing Sheets**



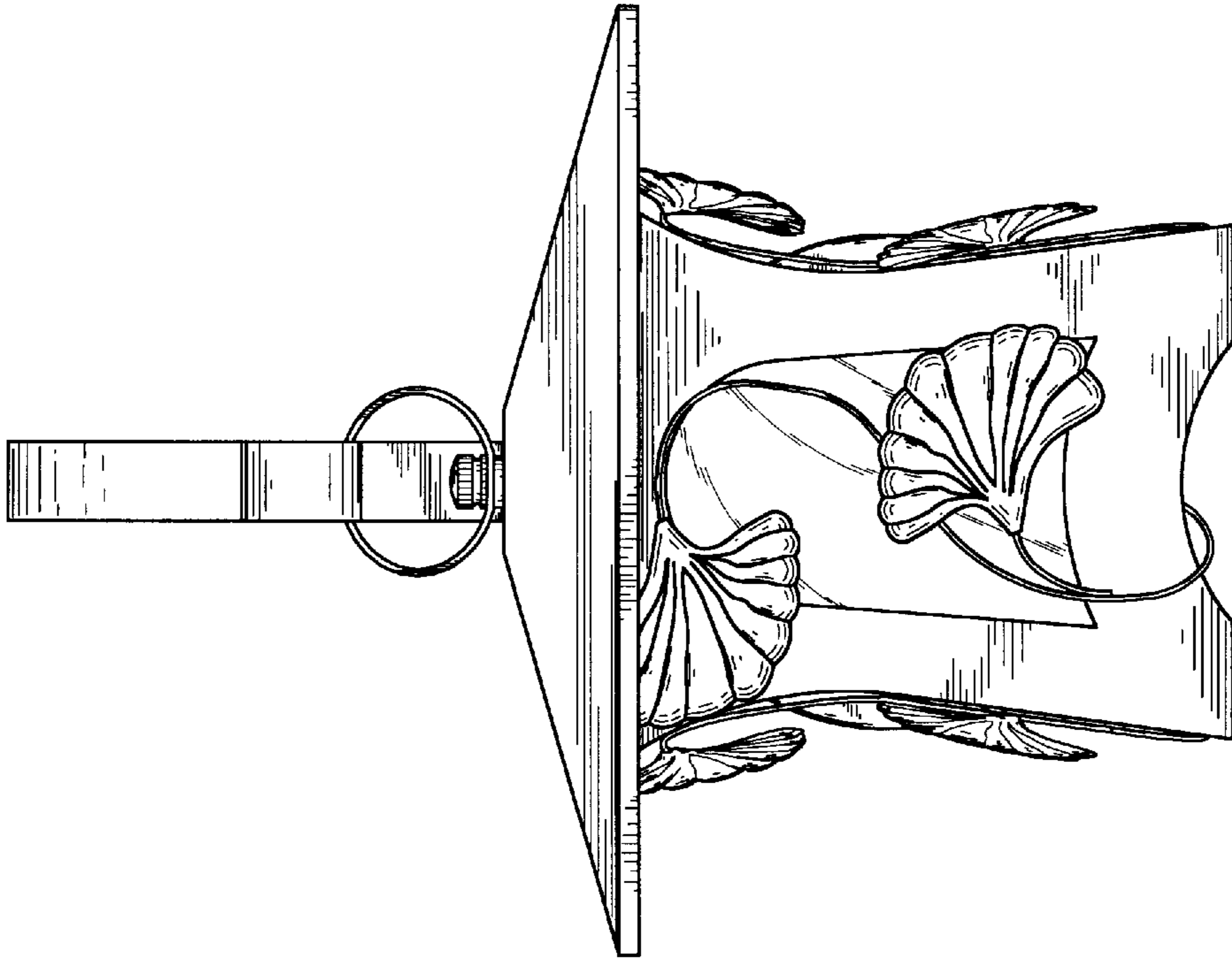


Fig.2

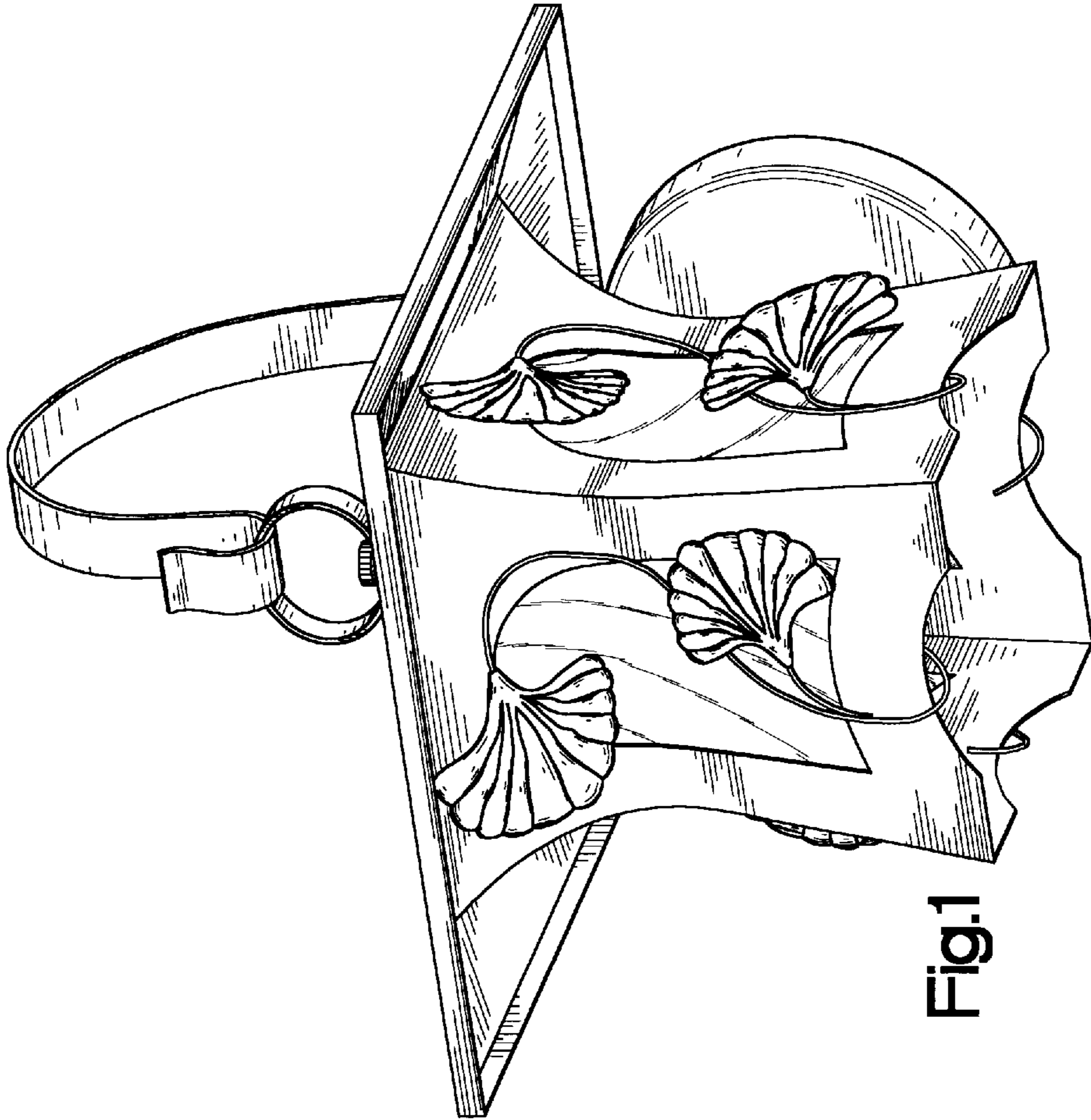


Fig.1

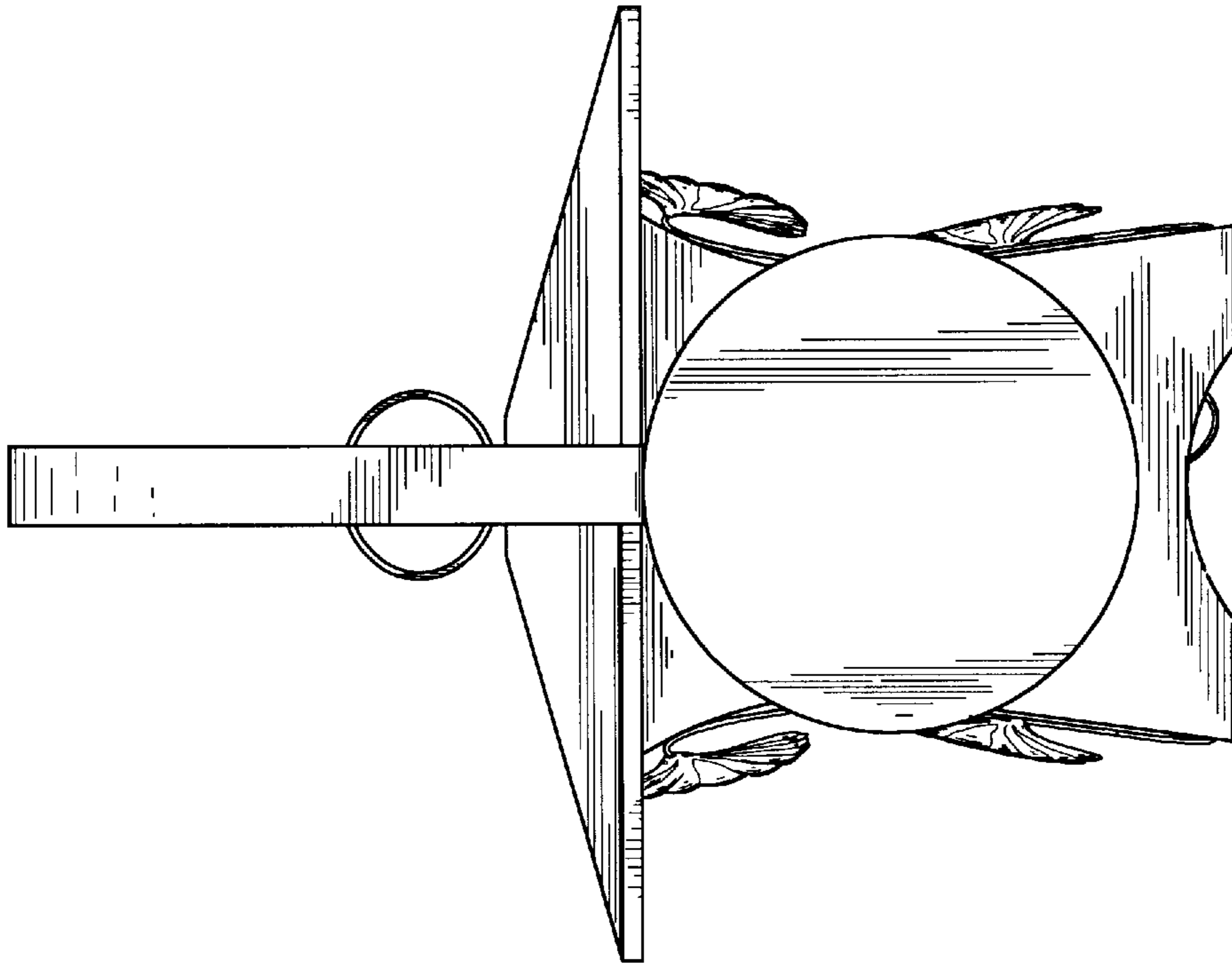


Fig.3

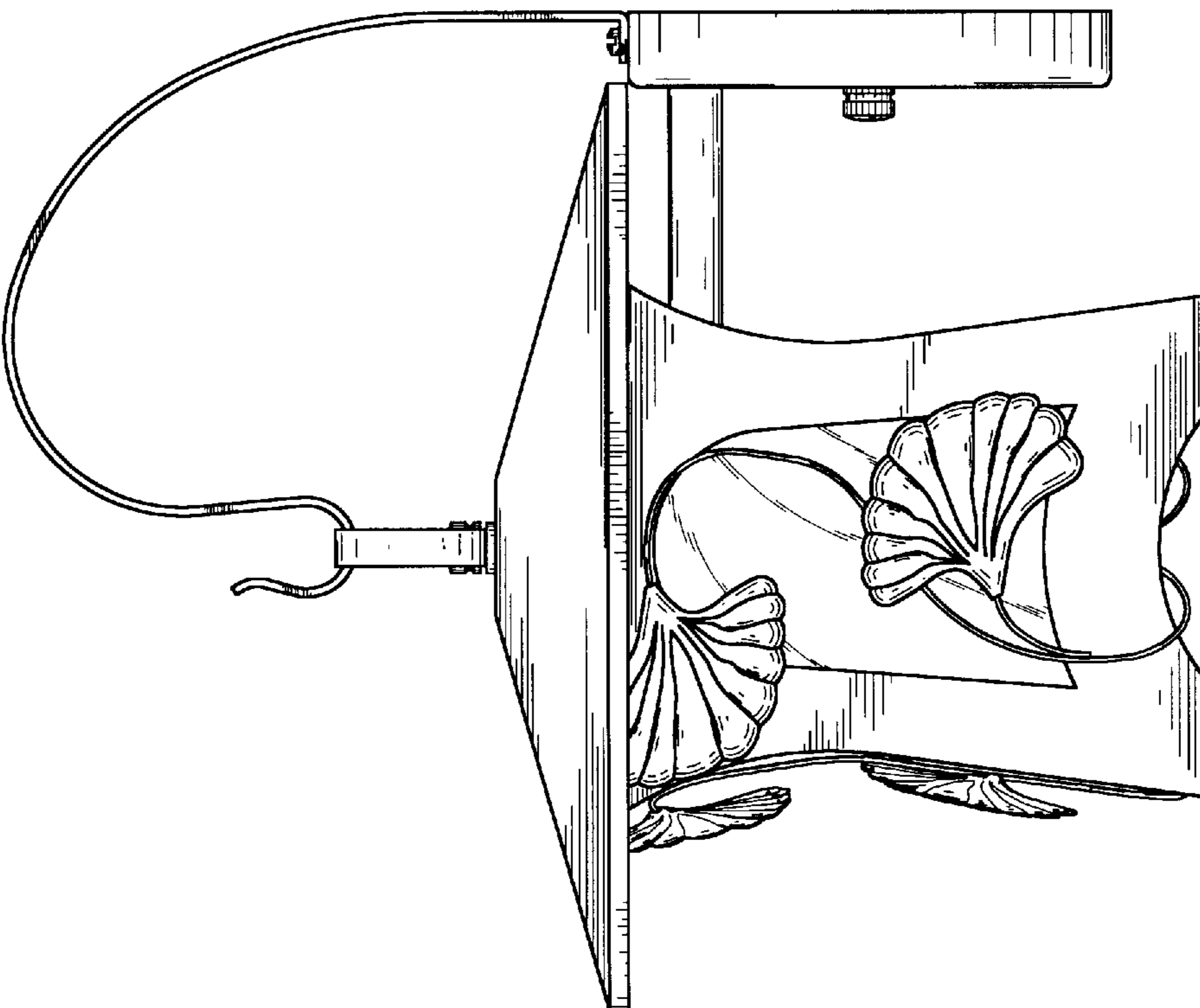


Fig.4

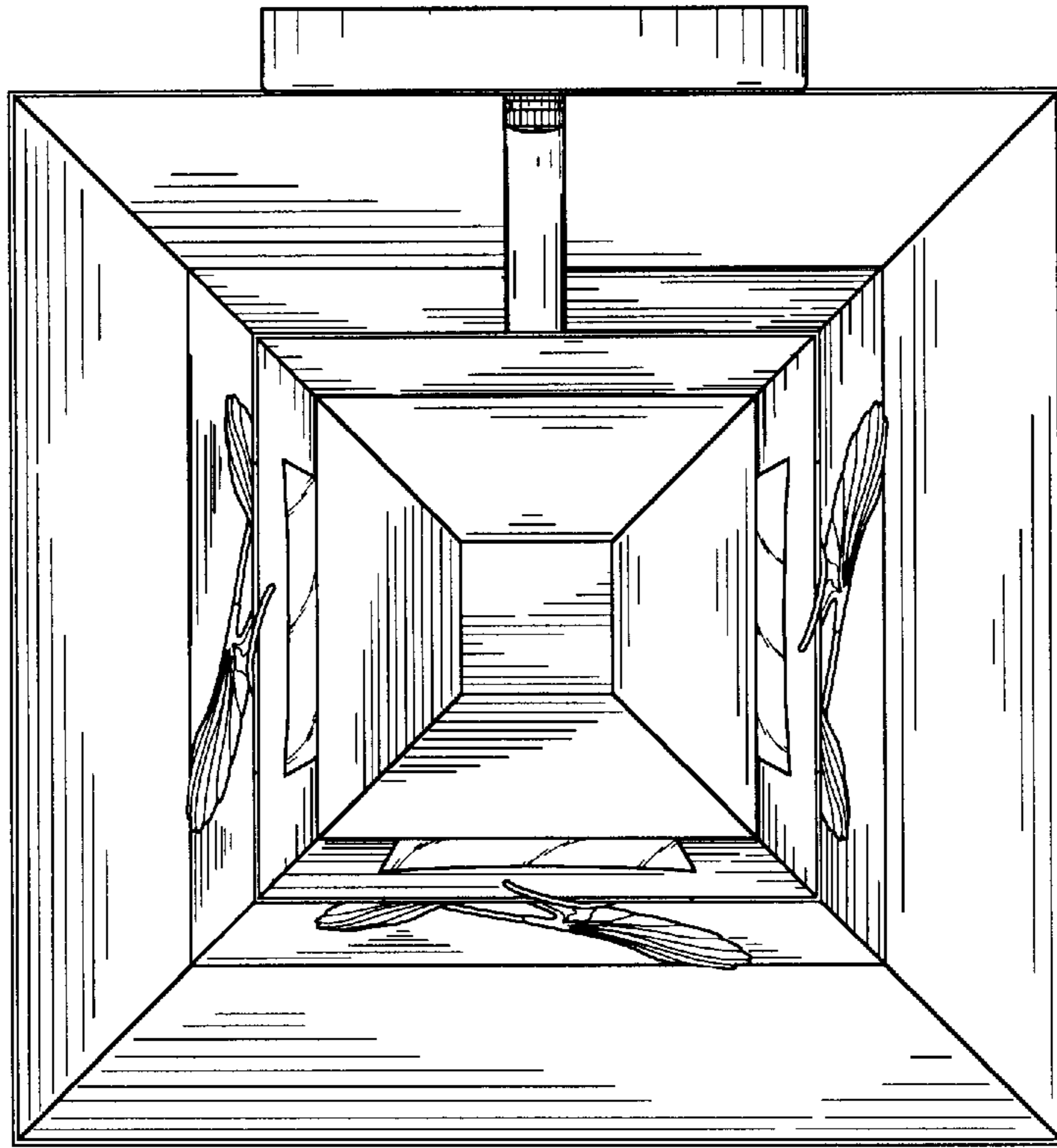


Fig.6

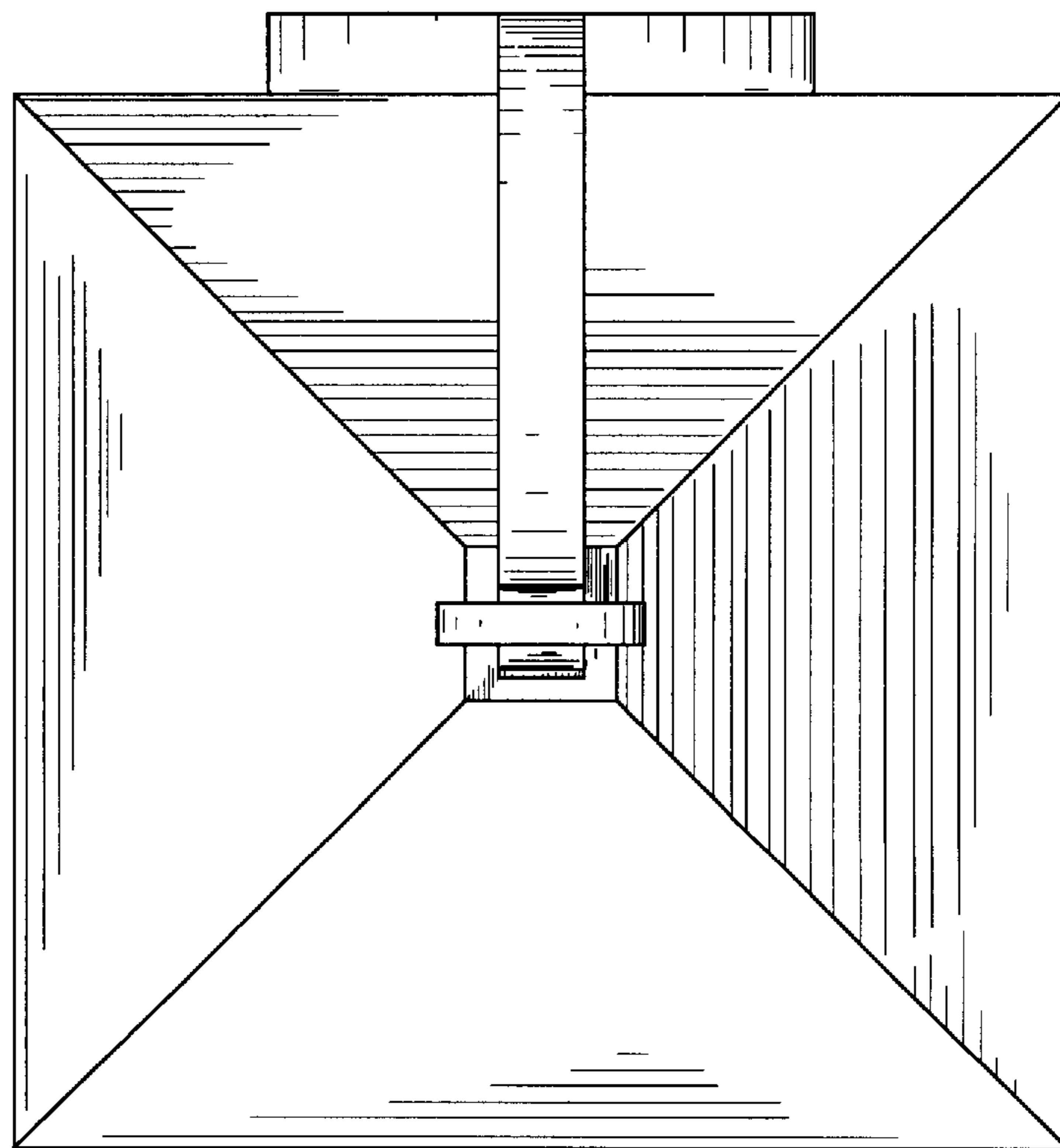


Fig.5

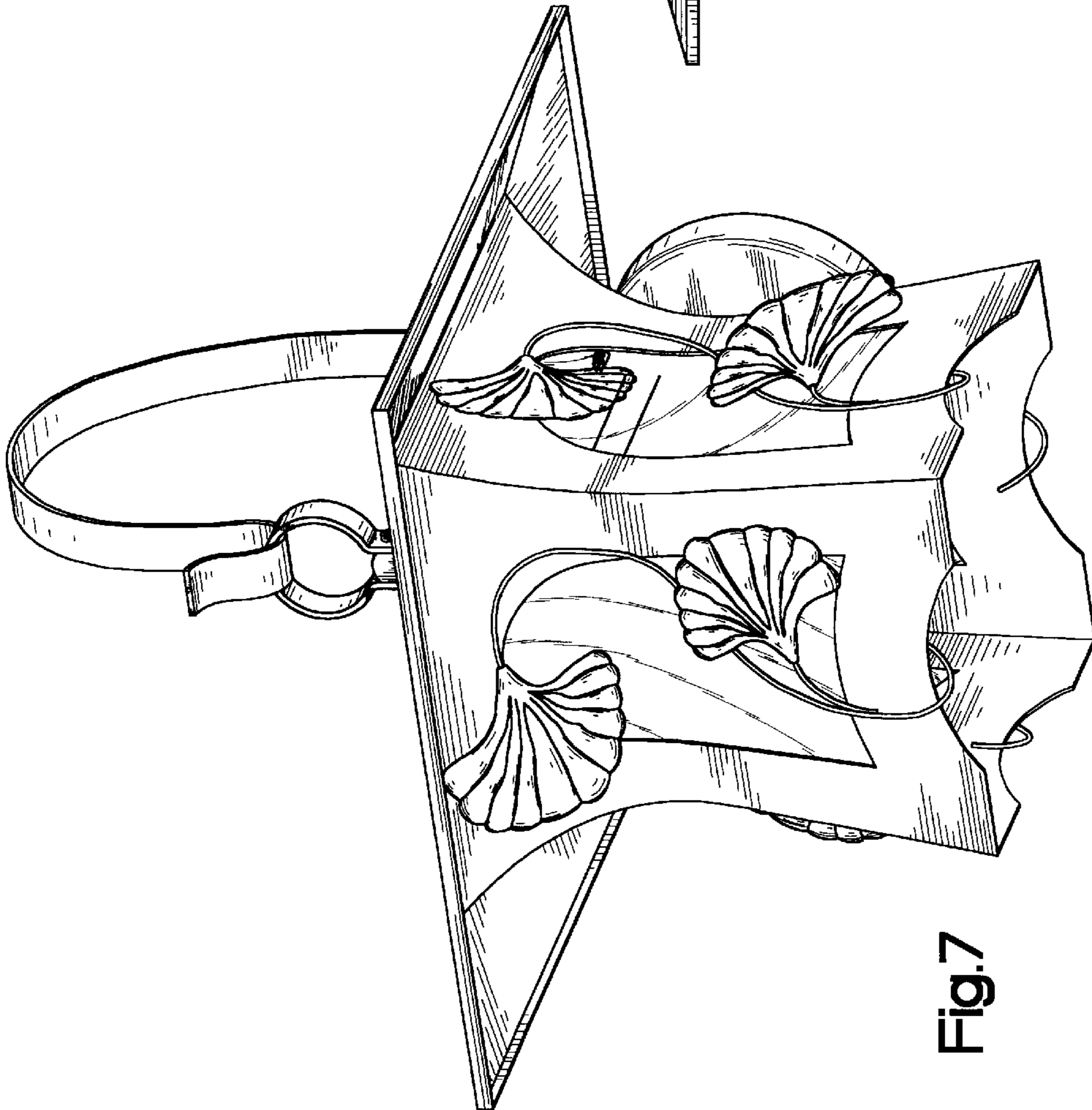


Fig.7

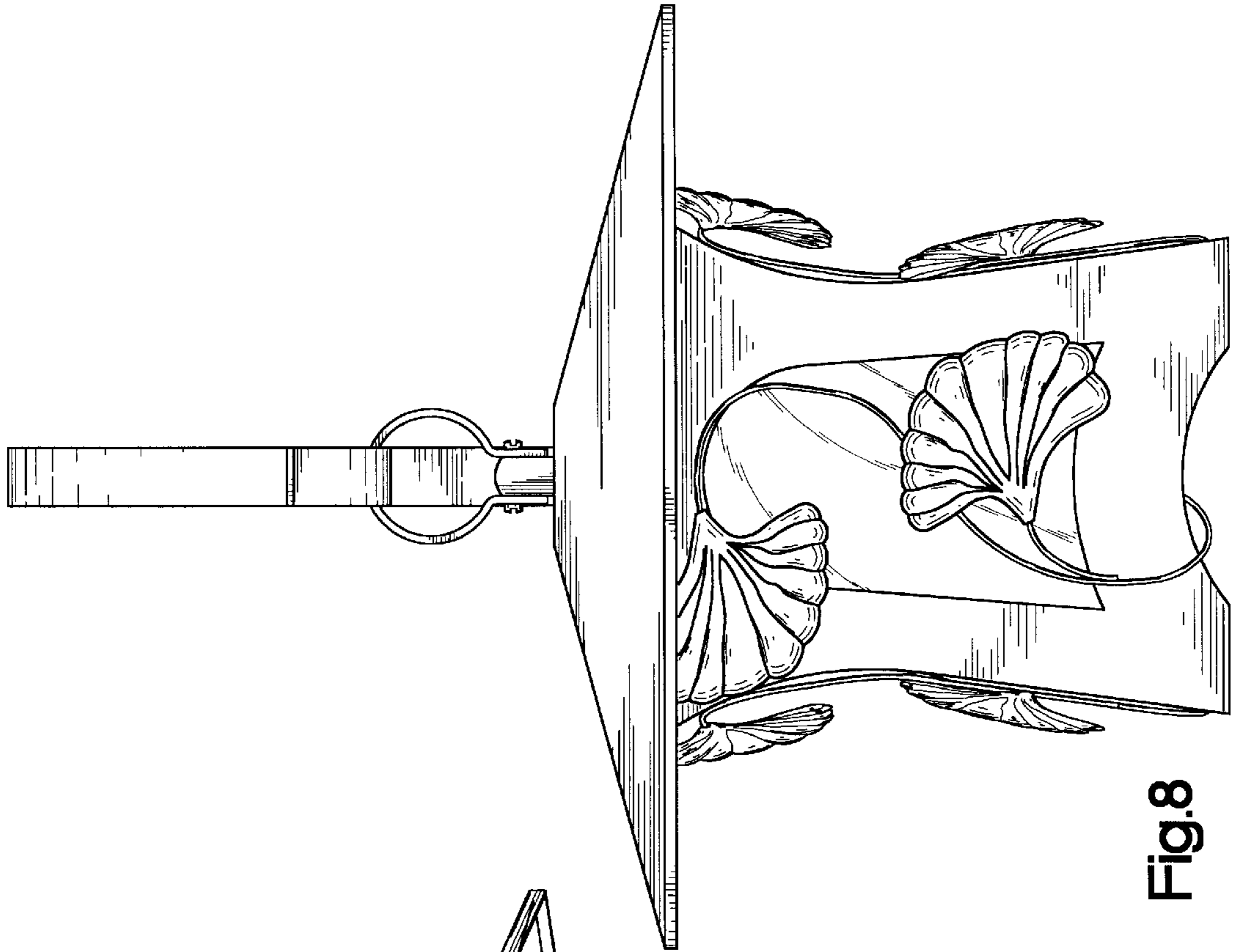


Fig.8

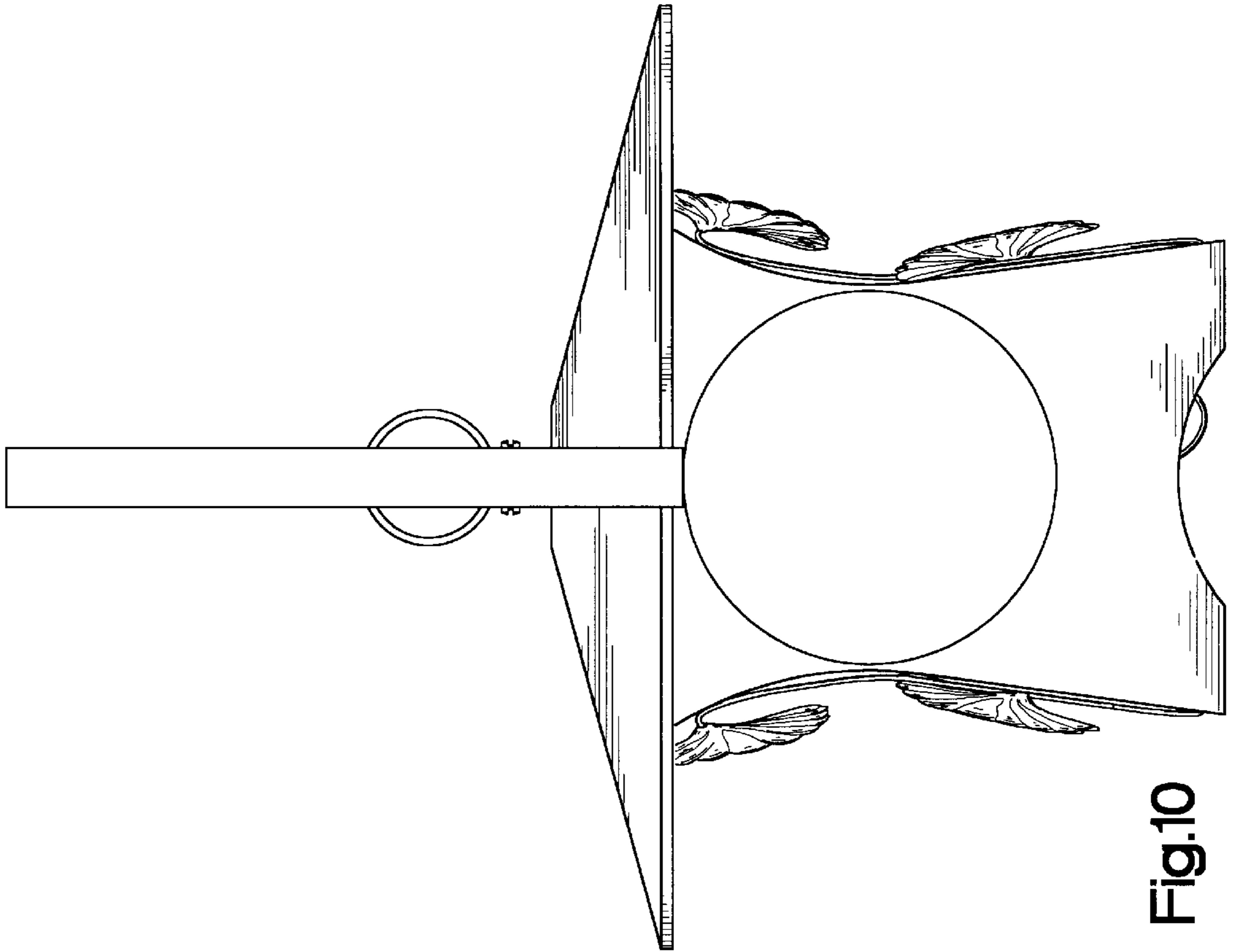


Fig.10

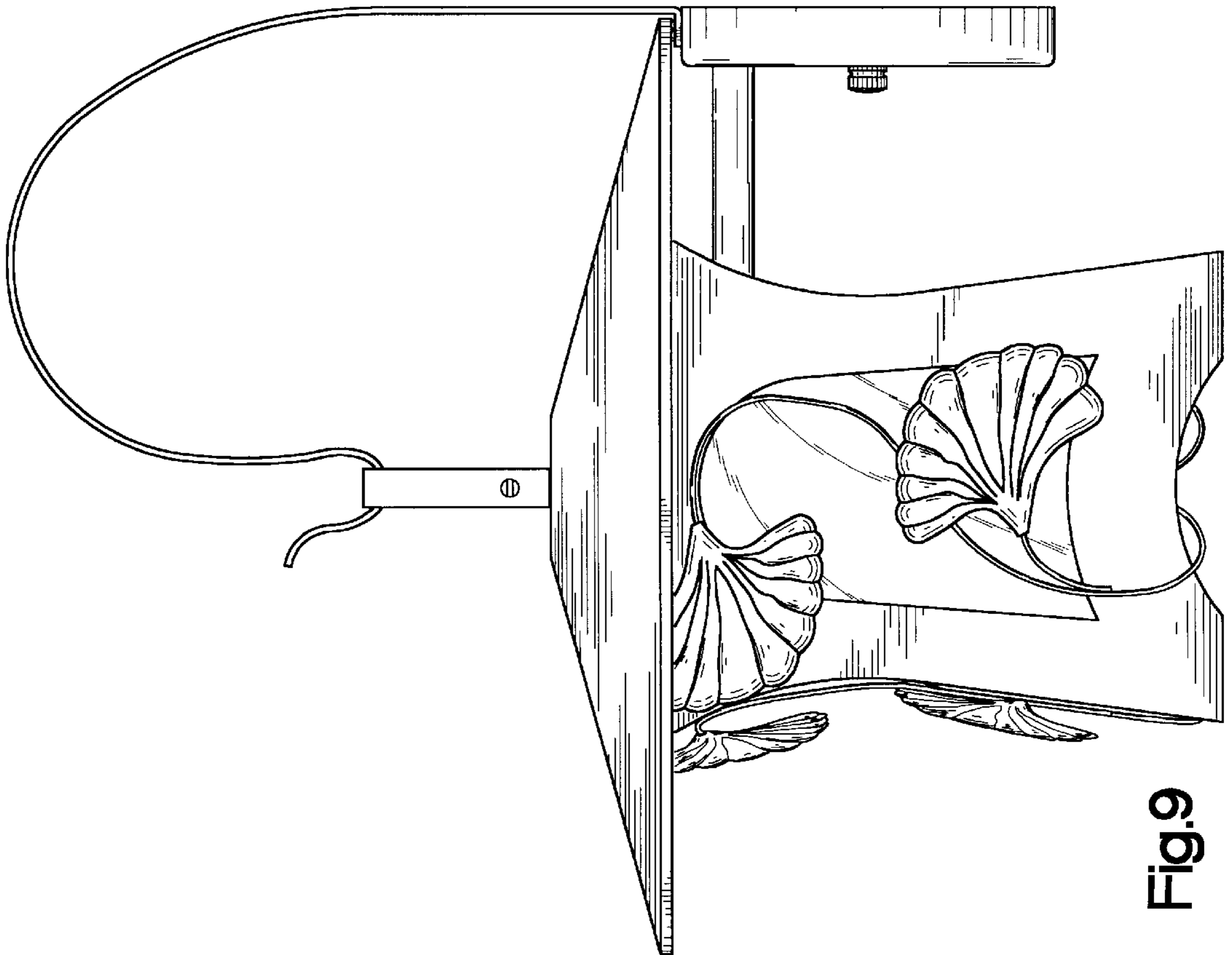


Fig.9

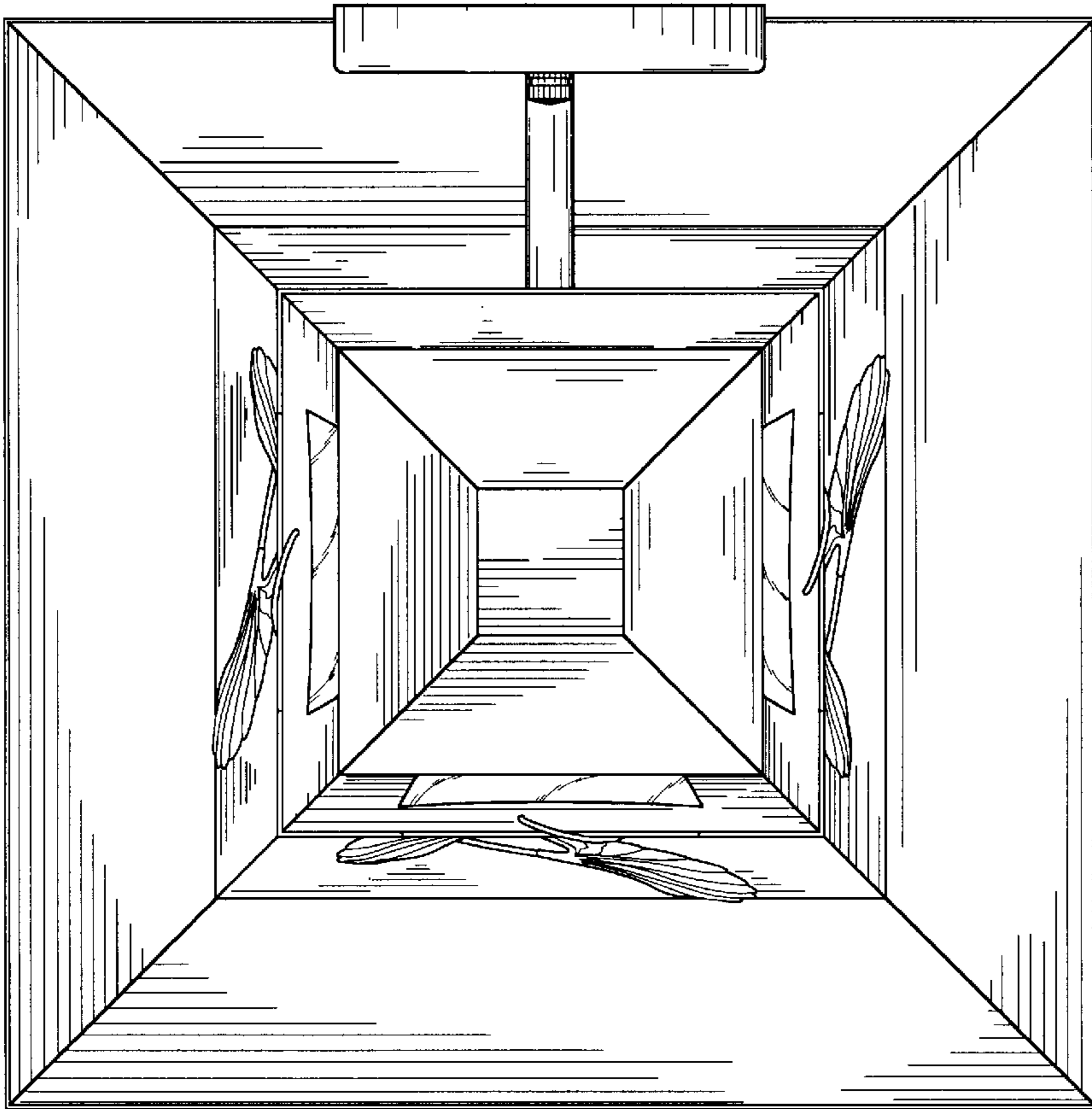


Fig.12

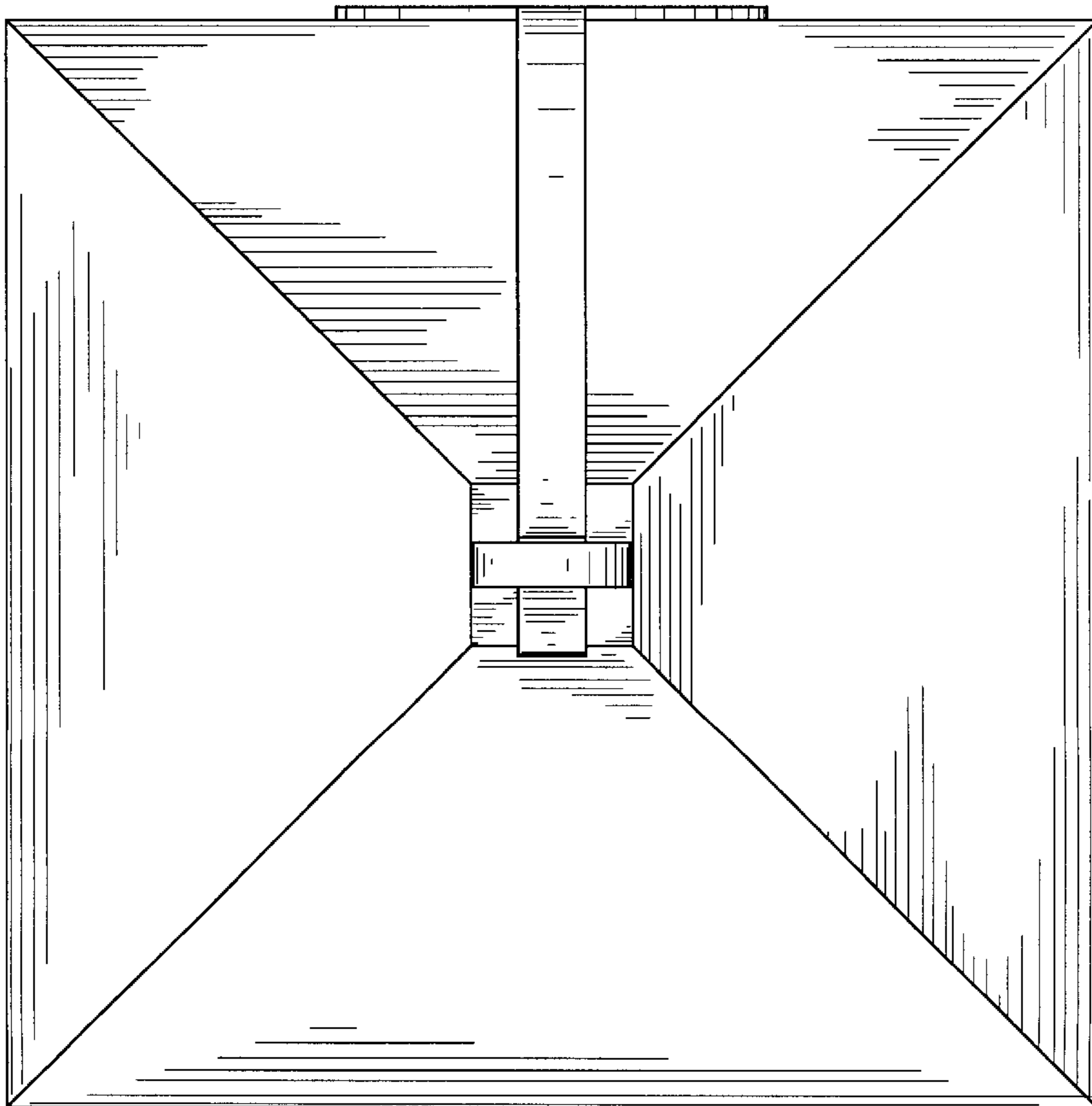


Fig.11