



US00D403793S

United States Patent [19]

Dolan

[11] Patent Number: **Des. 403,793**

[45] Date of Patent: ****Jan. 5, 1999**

[54] **CHANDELIER**

[76] Inventor: **Patrick S. Dolan**, 1901 NW. Upshur, Portland, Oreg. 97209

[**] Term: **14 Years**

[21] Appl. No.: **81,585**

[22] Filed: **Jan. 7, 1998**

[51] LOC (6) Cl. **26-05**

[52] U.S. Cl. **D26/84**

[58] Field of Search D26/72, 80-92;
362/147, 404-408, 432

D. 380,571 7/1997 Dolan D26/84
D. 380,581 7/1997 Dolan D26/84 X
1,127,527 2/1915 Schoen 362/404

Primary Examiner—Susan J. Lucas

[57] CLAIM

The ornamental design for a chandelier, as shown and described.

DESCRIPTION

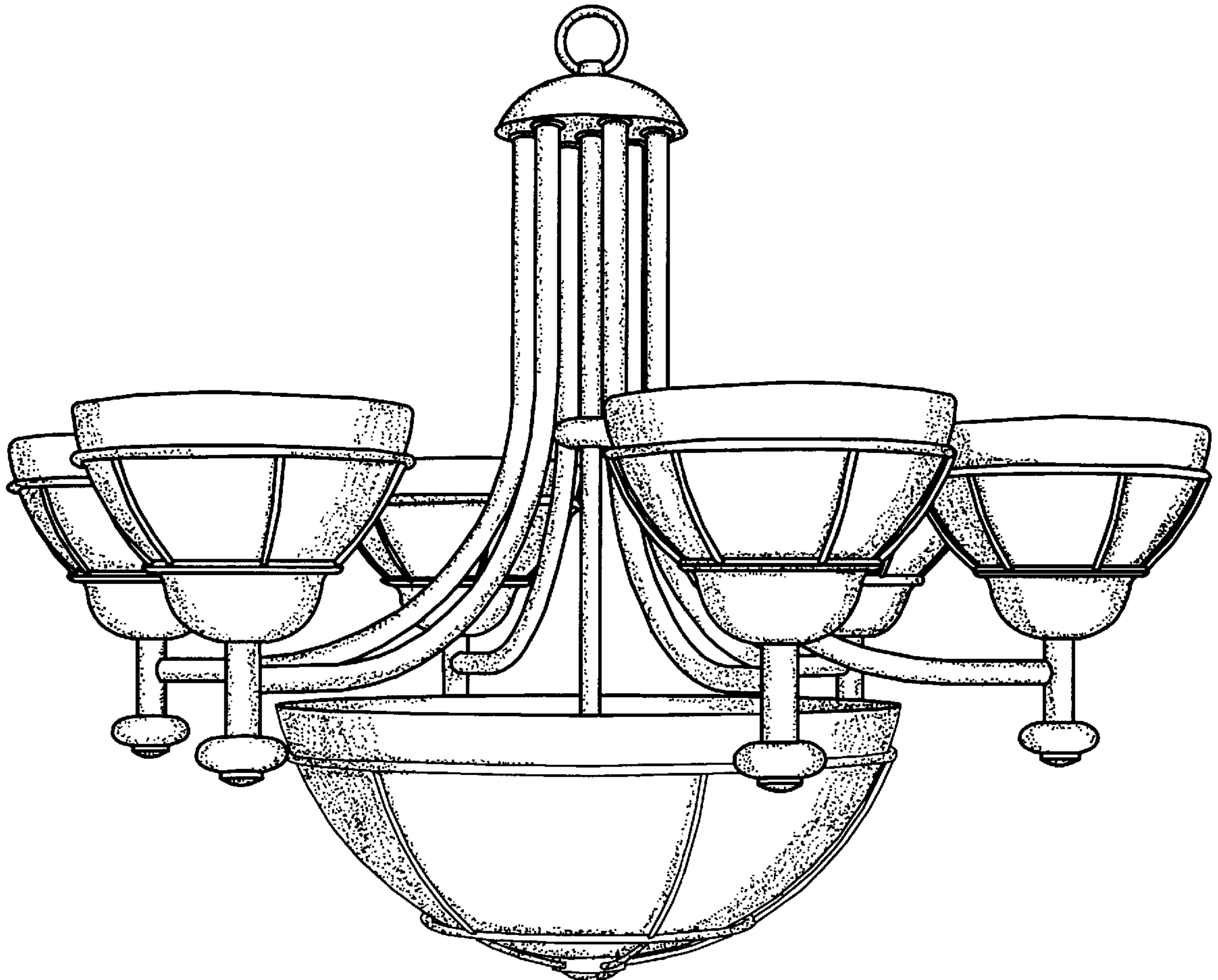
FIG. 1 is a perspective view thereof;
FIG. 2 is an elevational view thereof, all sides being identical;
FIG. 3 is a top plan view thereof; and,
FIG. 4 is a bottom plan view thereof.

[56] References Cited

U.S. PATENT DOCUMENTS

D. 357,996 5/1995 Dolan D26/86

1 Claim, 4 Drawing Sheets



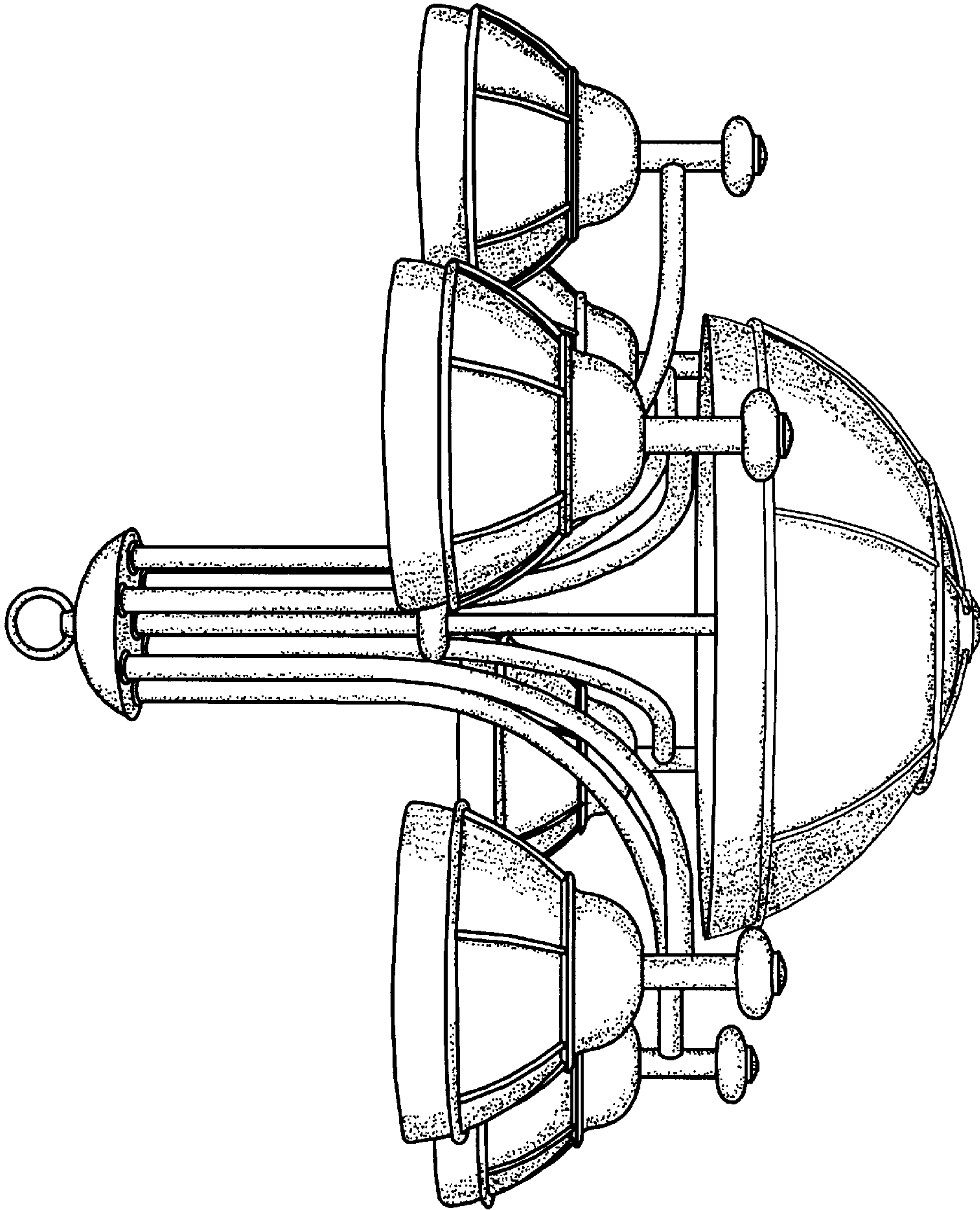


FIG. 1

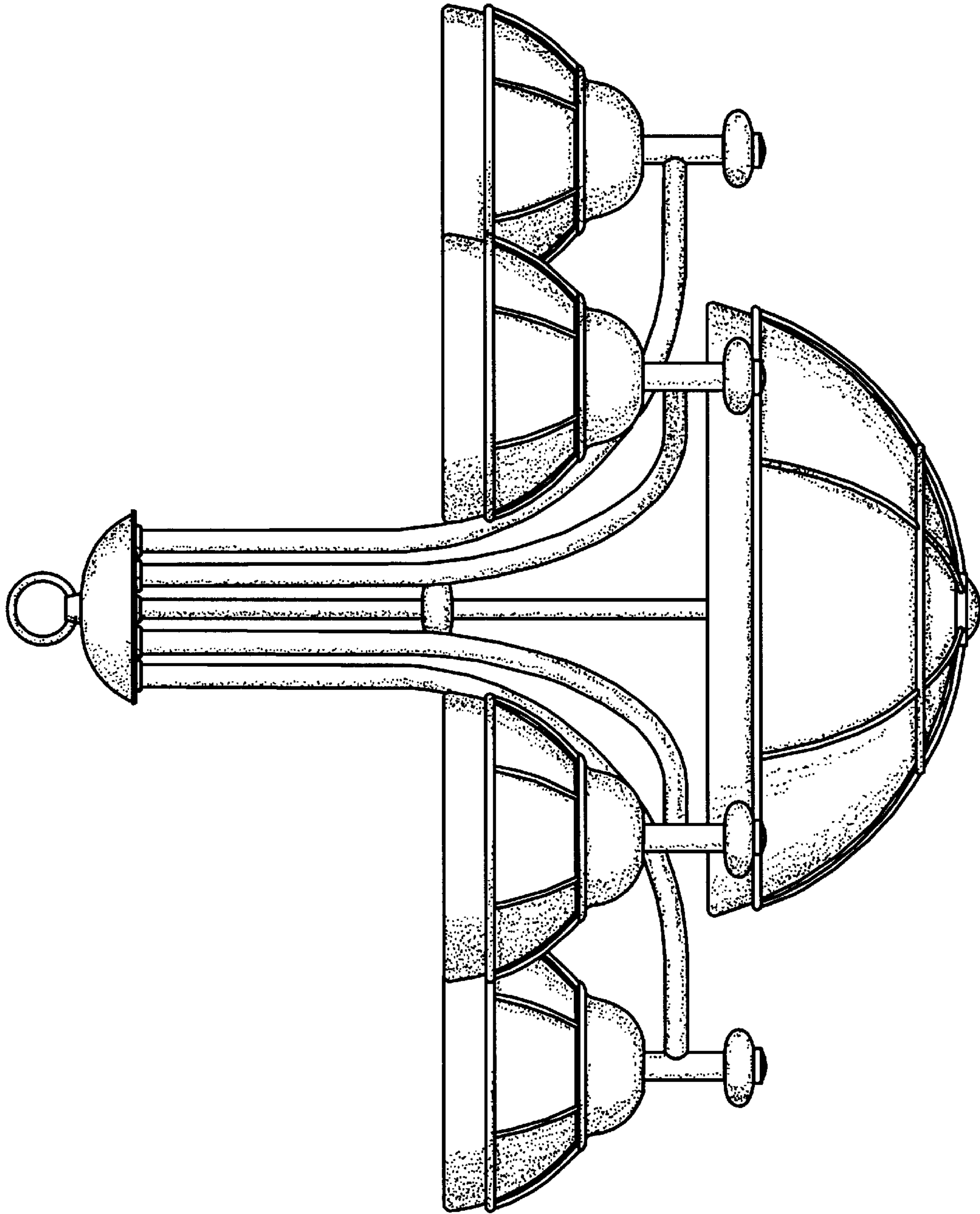


FIG. 2

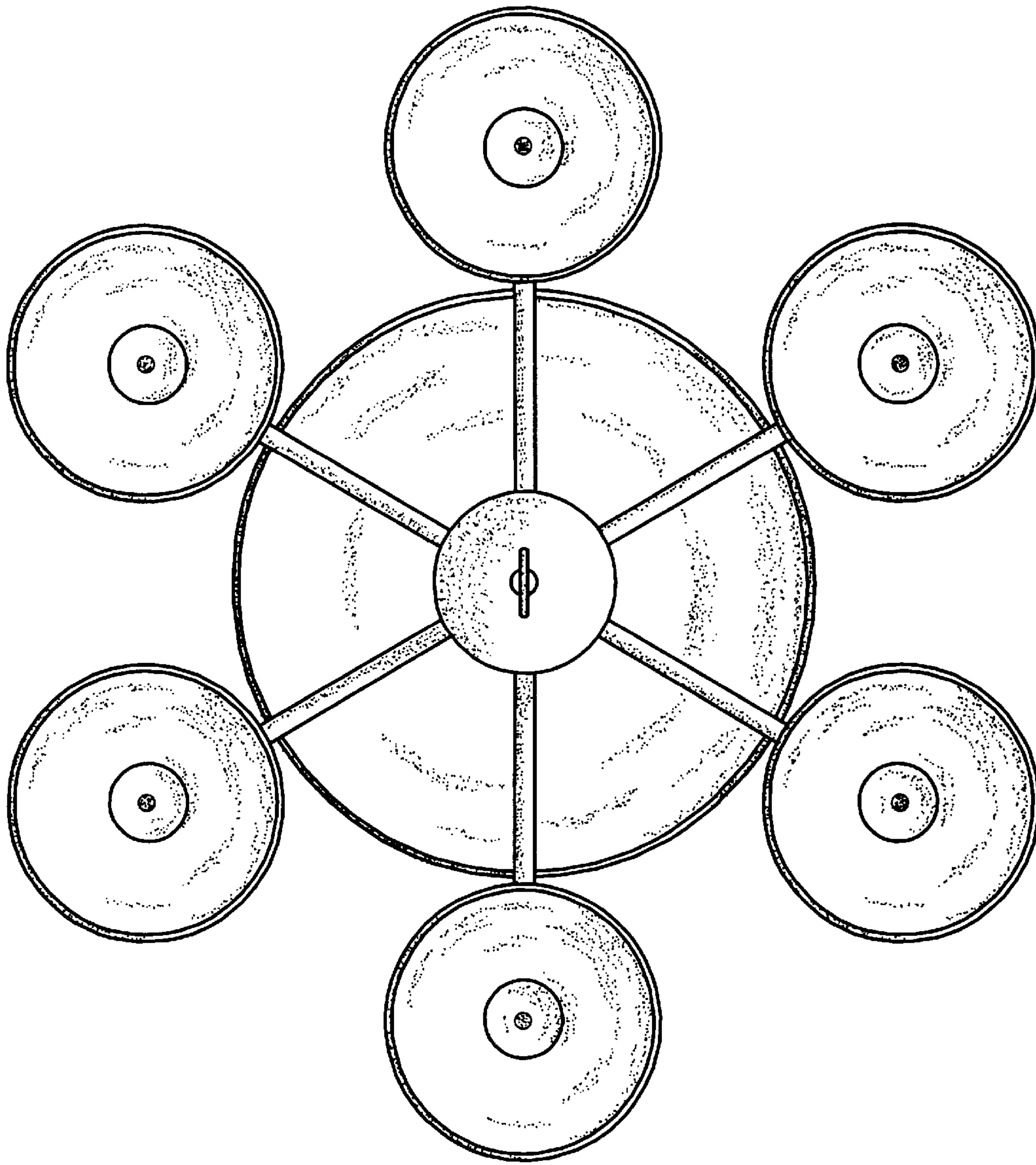


FIG. 3

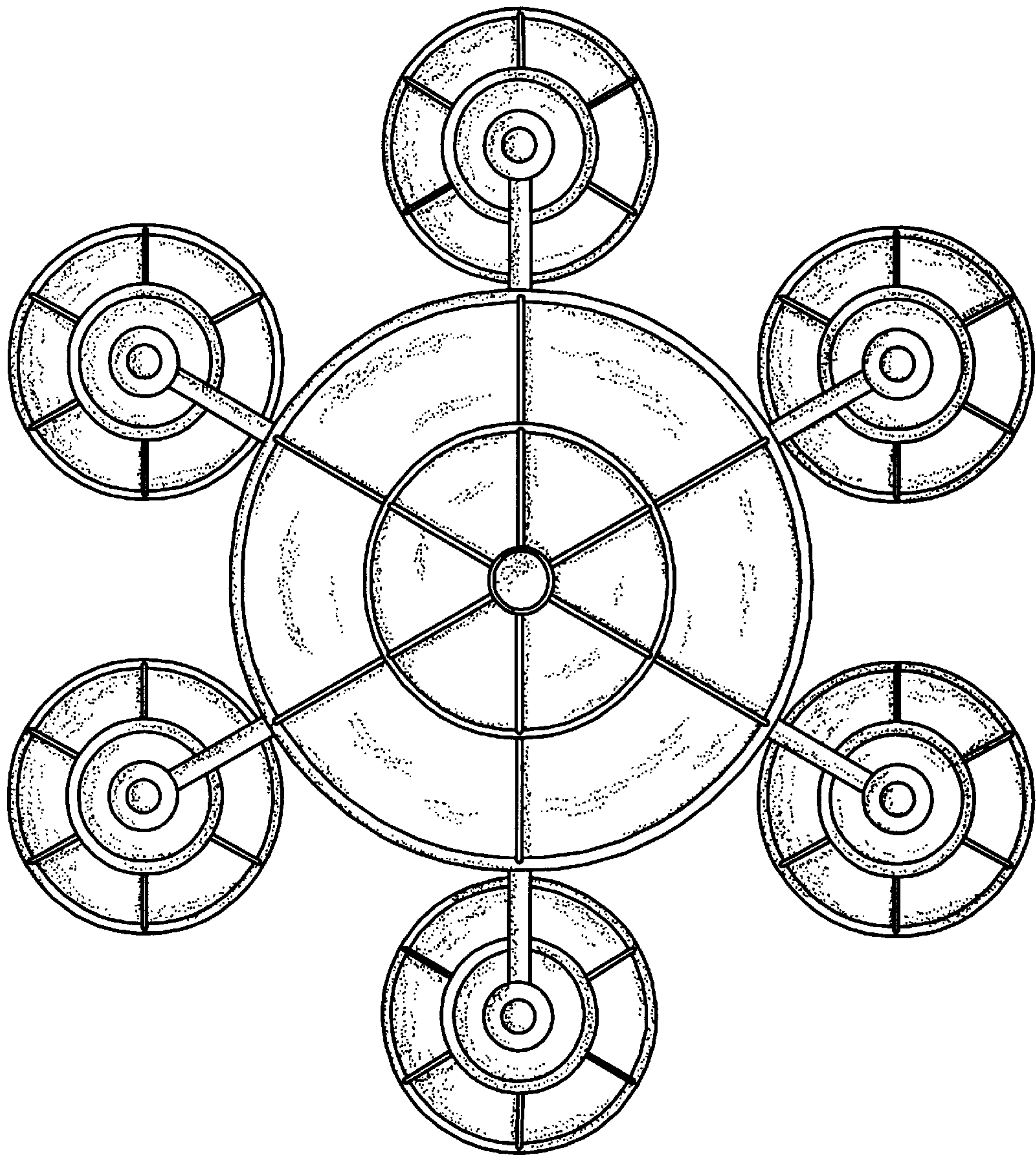


FIG. 4