



US00D403787S

**United States Patent** [19]  
**Van Belle**

[11] **Patent Number: Des. 403,787**

[45] **Date of Patent: \*\*Jan. 5, 1999**

[54] **LIGHT VENT UNIT**

D. 324,111 2/1992 Arbisi ..... D26/28  
D. 358,674 5/1995 Ramsey ..... D26/28

[76] Inventor: **Paul D. Van Belle**, 1507 S. 13th, Niles,  
Mich. 49120

*Primary Examiner*—Marcus A. Jackson  
*Attorney, Agent, or Firm*—Baker & Daniels

[\*\*] Term: **14 Years**

[57] **CLAIM**

[21] Appl. No.: **65,620**

An ornamental design for a light vent unit, as shown and described.

[22] Filed: **Jan. 30, 1997**

[51] **LOC (6) Cl.** ..... **26-06**

[52] **U.S. Cl.** ..... **D26/28**

[58] **Field of Search** ..... D26/28, 37-50;  
362/157, 158, 183-191, 194-208, 364,  
371, 404-408, 432

**DESCRIPTION**

[56] **References Cited**

FIG. 1 is a perspective view of a light vent unit illustrating my new design;

FIG. 2 is a side elevational view thereof, the other three sides being identical to that shown; and,

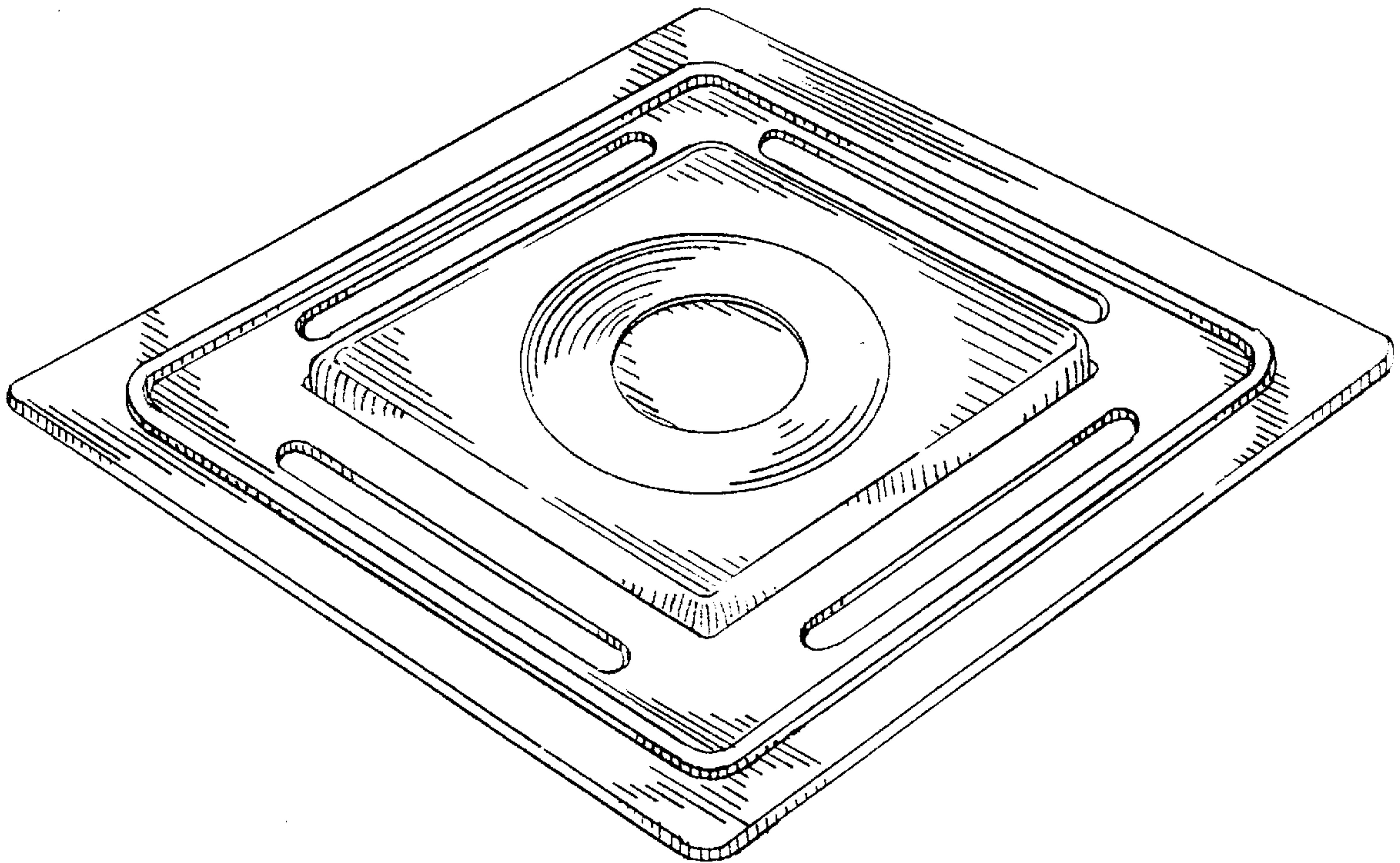
FIG. 3 is a top plan view thereof.

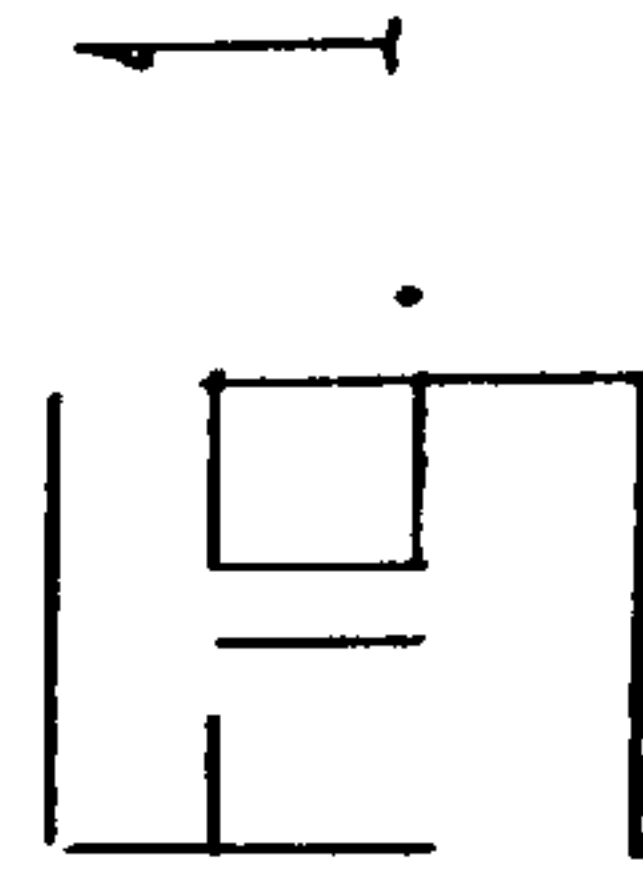
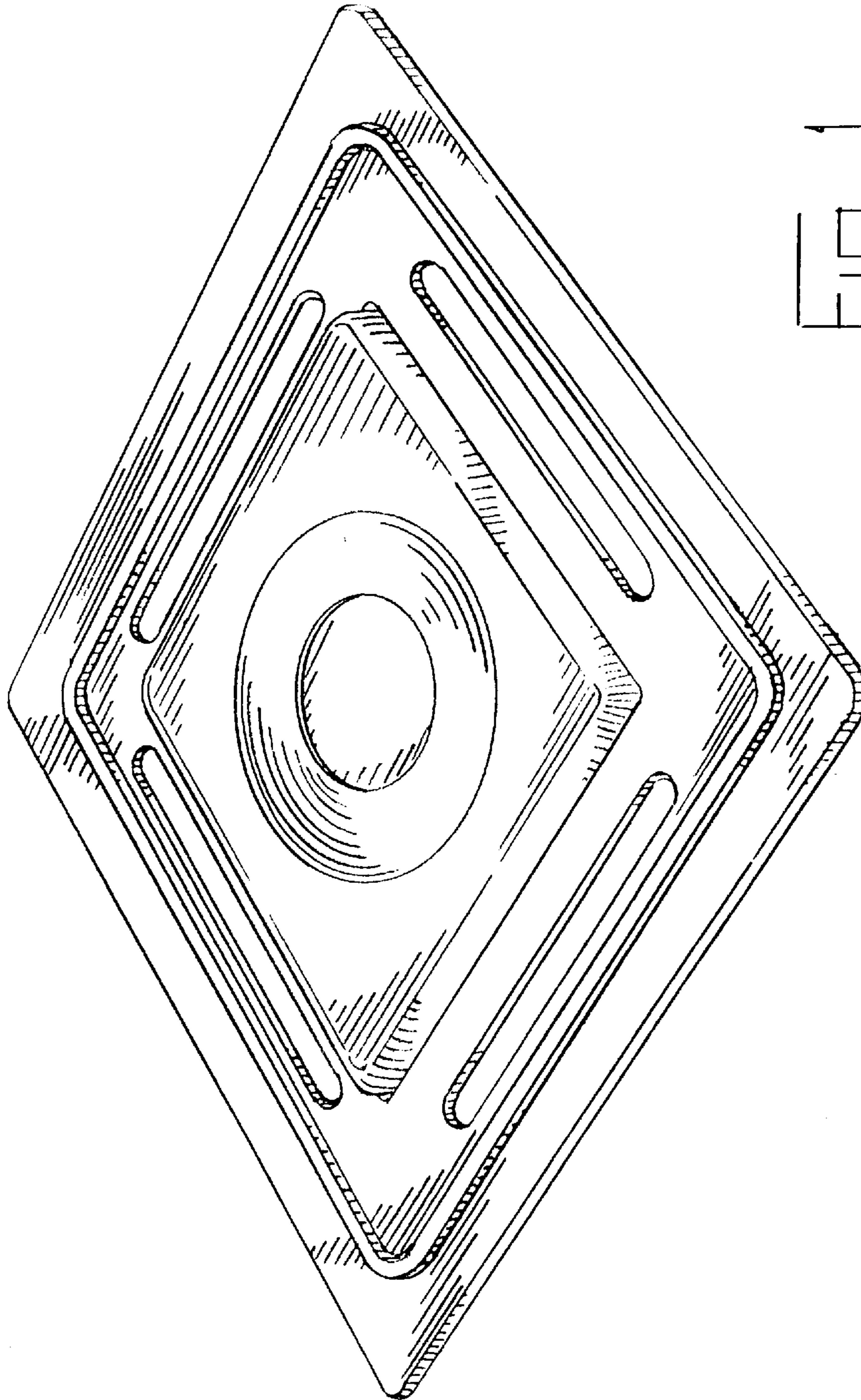
The bottom side of the light vent unit being unornamented.

**U.S. PATENT DOCUMENTS**

D. 301,628 6/1989 Fuller ..... D26/28

**1 Claim, 2 Drawing Sheets**





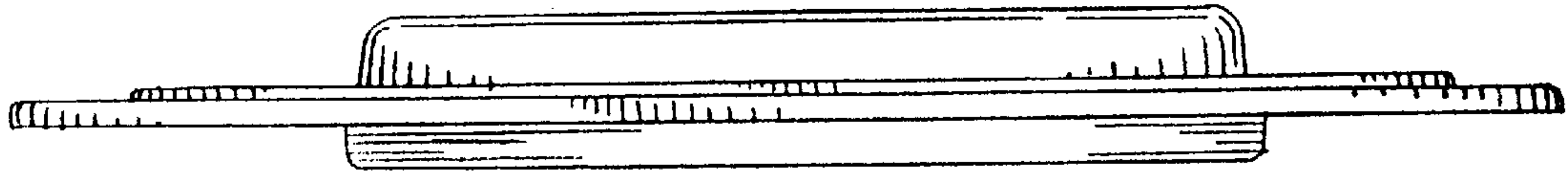


FIG. 2

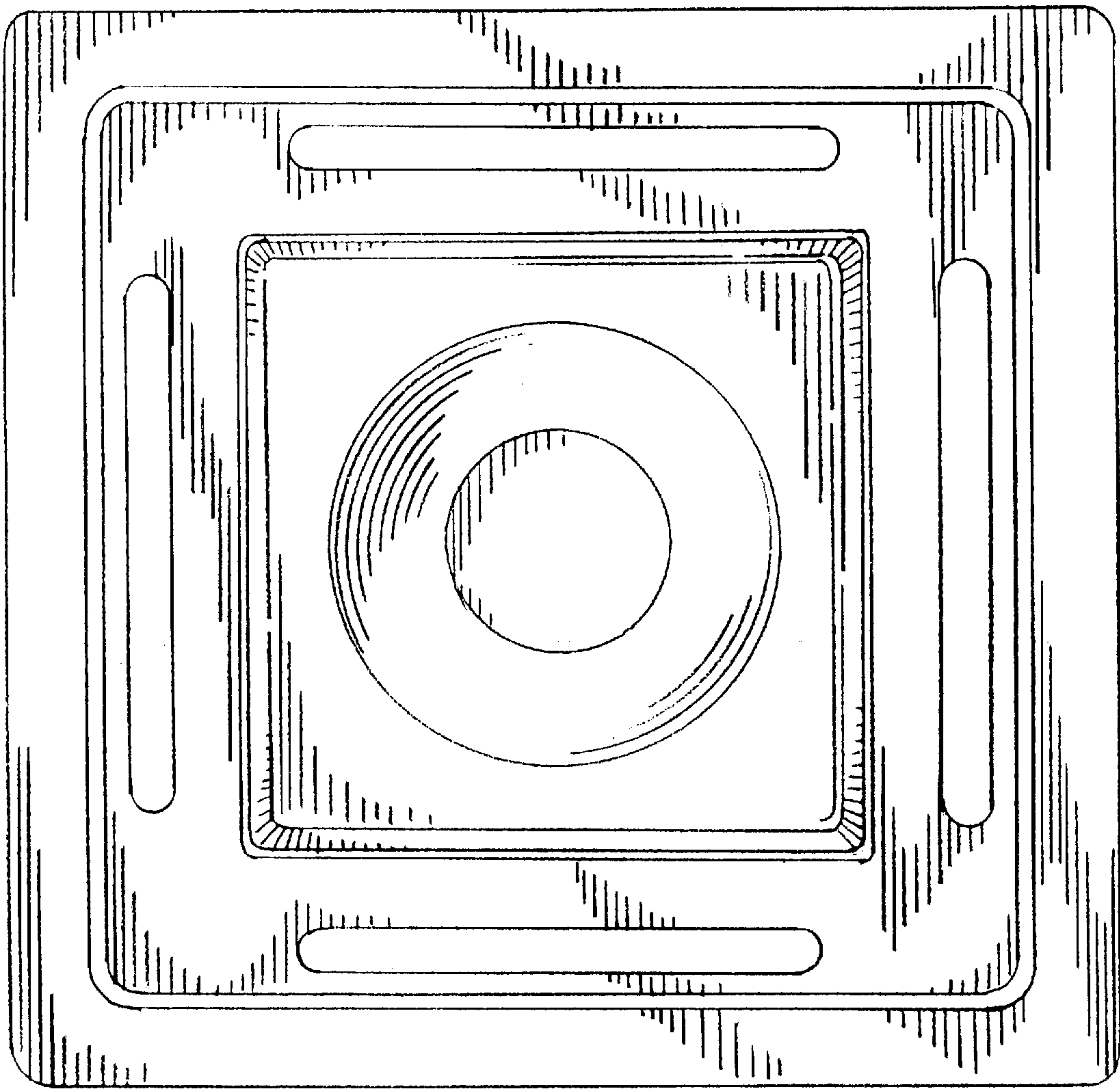


FIG. 3