



US00D403786S

# United States Patent [19] Lai

[11] **Patent Number:** **Des. 403,786**

[45] **Date of Patent:** **\*\*Jan. 5, 1999**

[54] **NIGHT LIGHT**

D. 376,214 12/1996 Pinchuk ..... D26/26  
D. 380,545 7/1997 Ho ..... D26/26

[76] **Inventor:** **Li-Chun Lai**, 21F-1, No. 33, Min Sheng Rd., Sec. 1, Panchiao City, Taipei Hsien, Taiwan

*Primary Examiner*—Susan J. Lucas  
*Attorney, Agent, or Firm*—Bacon & Thomas

[\*\*] **Term:** **14 Years**

[57] **CLAIM**

The ornamental design for a “night light”, as shown and described.

[21] **Appl. No.:** **79,054**

[22] **Filed:** **Nov. 7, 1997**

### DESCRIPTION

[51] **LOC (6) Cl.** ..... **26-05**

FIG. 1 is a perspective view of my new design showing the top, front and left sides thereof;

[52] **U.S. Cl.** ..... **D26/24; D26/26; D26/37**

FIG. 2 is a side view thereof;

[58] **Field of Search** ..... D26/24, 26, 63, D26/60, 72, 80–92, 37, 39; 362/226, 147, 432, 189, 199, 200

FIG. 3 is the opposite side view thereof;

FIG. 4 is a rear view thereof;

FIG. 5 is a front view thereof;

FIG. 6 is a top view thereof; and,

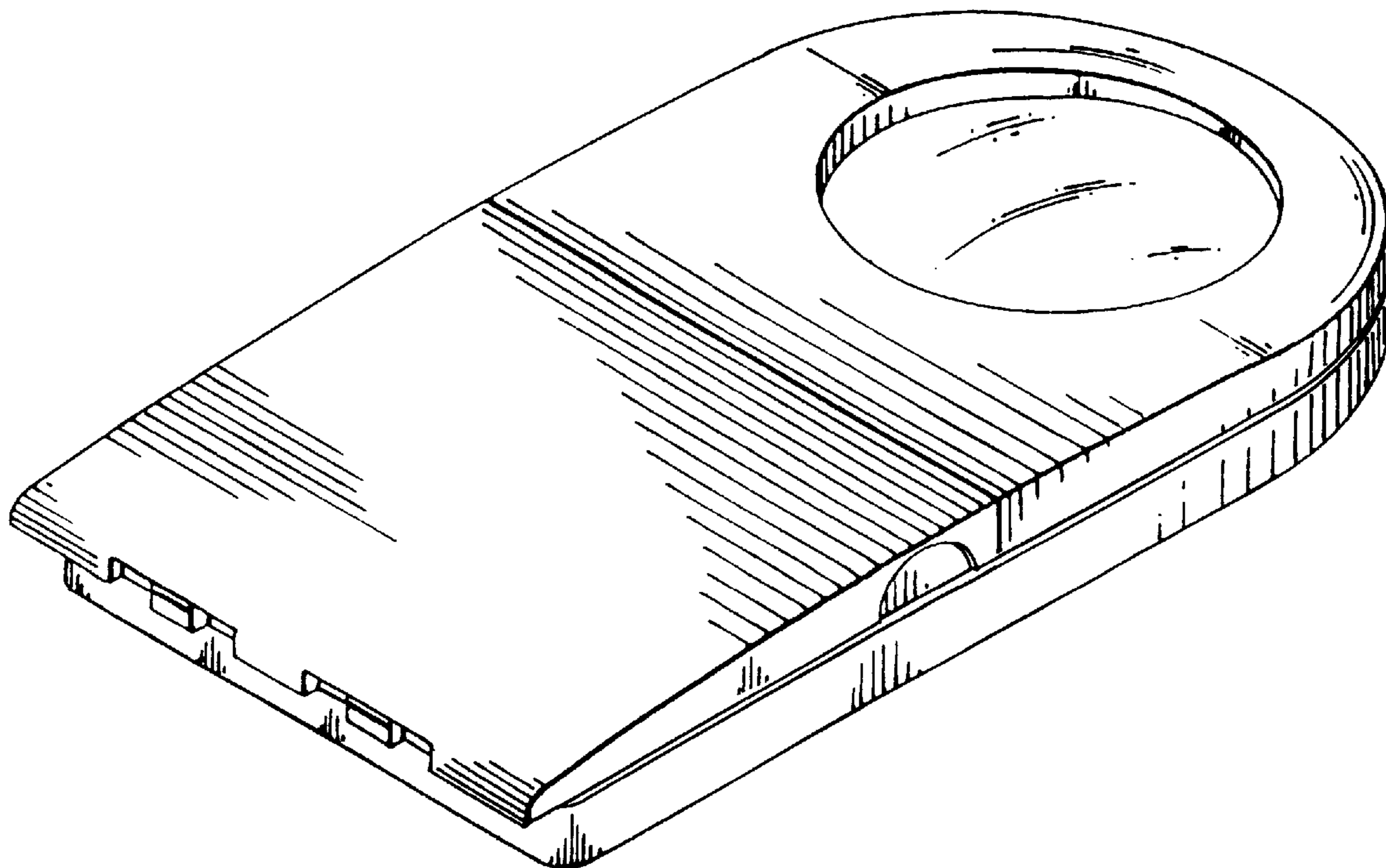
FIG. 7 is a bottom view thereof.

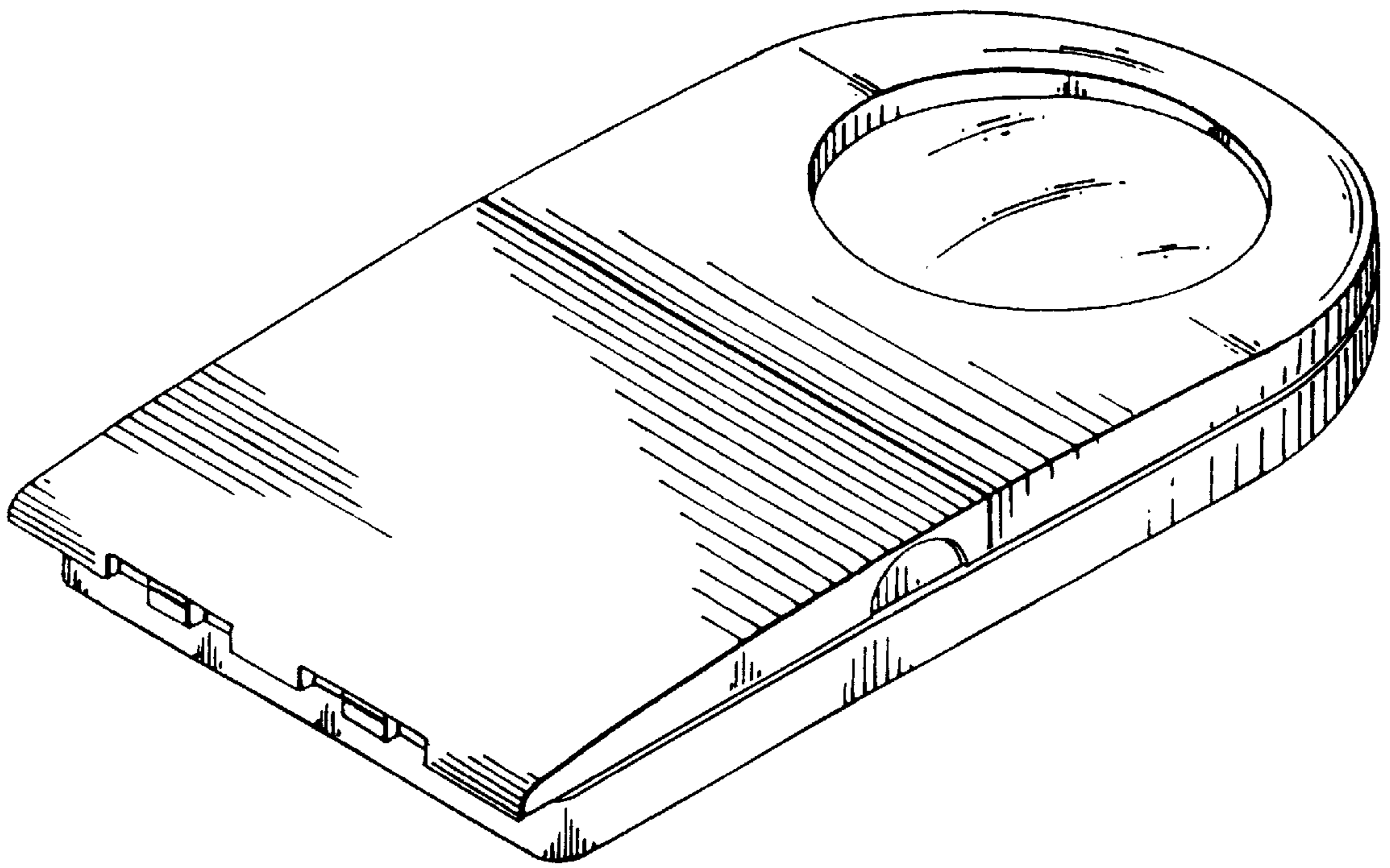
[56] **References Cited**

#### U.S. PATENT DOCUMENTS

D. 285,911 9/1986 Yuen ..... D26/37 X

**1 Claim, 3 Drawing Sheets**





*FIG. 1*

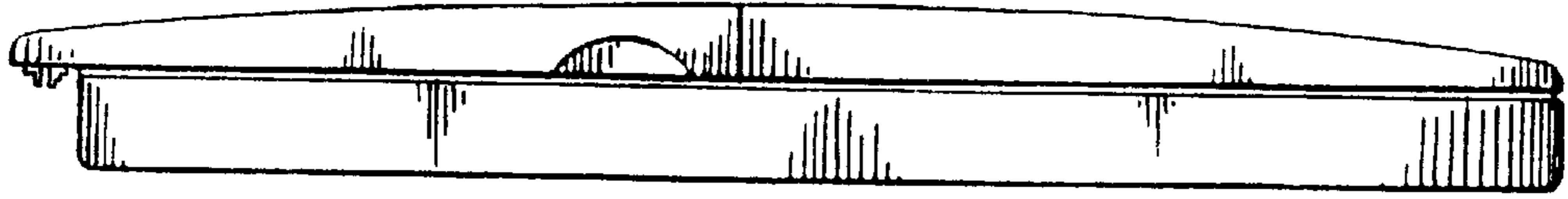


FIG. 2



FIG. 3



FIG. 4



FIG. 5

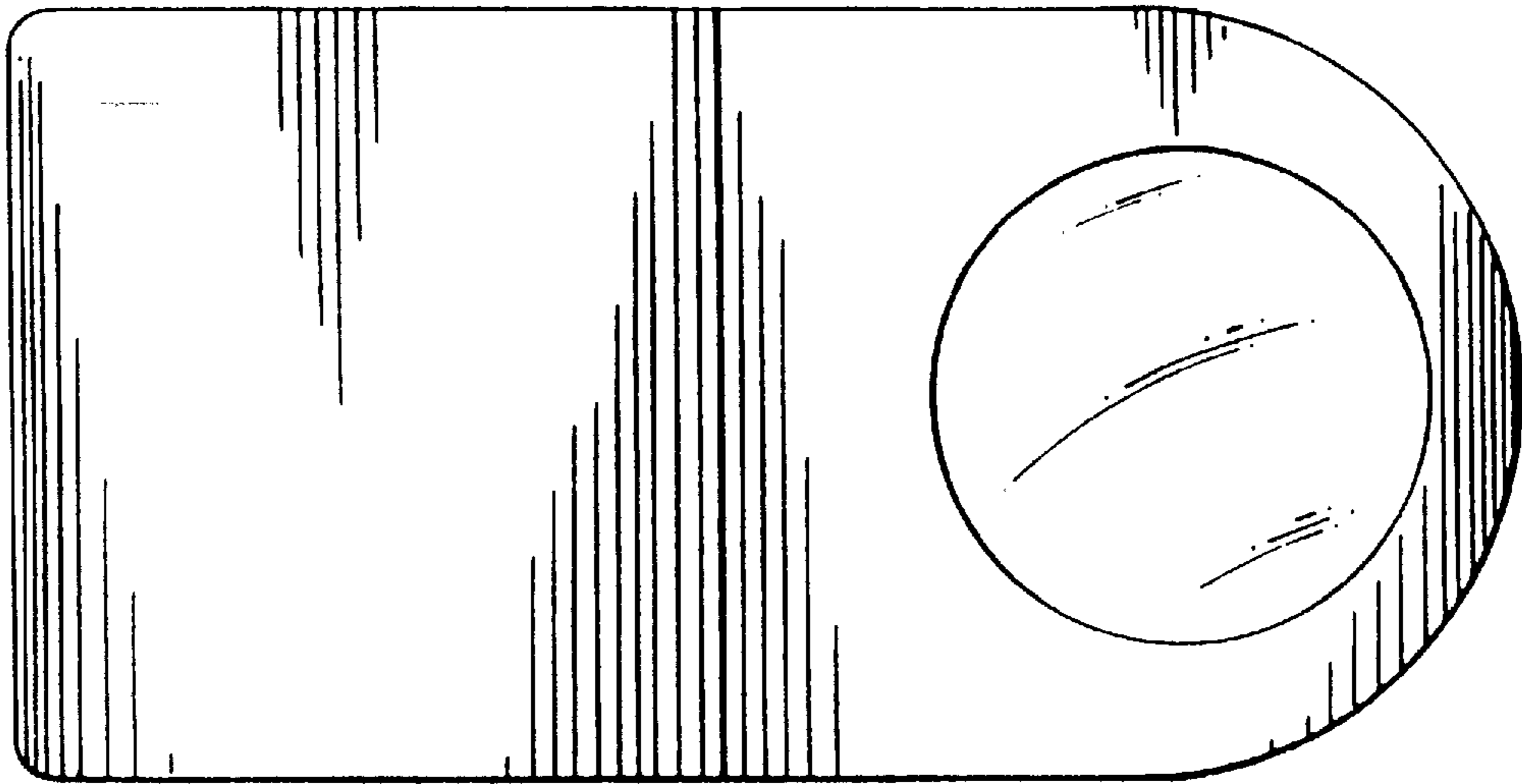


FIG. 6

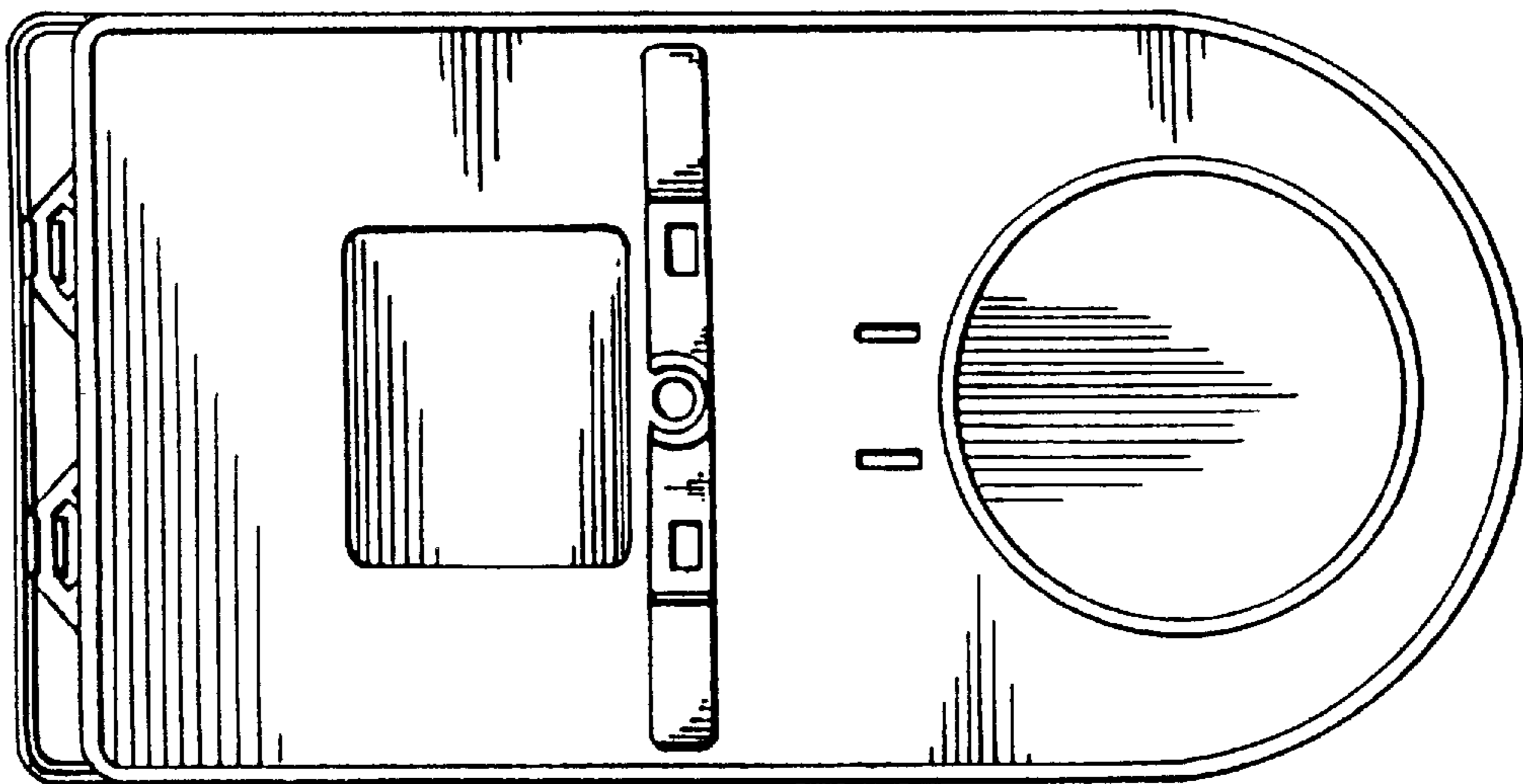


FIG. 7