



US00D403785S

United States Patent [19]

Risi et al.

[11] **Patent Number:** **Des. 403,785**

[45] **Date of Patent:** ****Jan. 5, 1999**

[54] **MODULAR BLOCK**

[75] Inventors: **Angelo Risi; Antonio Risi**, both of
Richmond Hill, Canada

[73] Assignee: **Rothbury International Inc.**,
Thornhill, Canada

[**] Term: **14 Years**

[21] Appl. No.: **79,272**

[22] Filed: **Nov. 12, 1997**

[30] **Foreign Application Priority Data**

Mar. 6, 1997 [CA] Canada 1997-1469

[51] **LOC (6) Cl.** **25-01**

[52] **U.S. Cl.** **D25/113**

[58] **Field of Search** D25/113-118,
D25/151; 52/592.1, 592.2, 592.3, 592.6,
589.1, 311.2, 604, 606, 602, 607-609, 566,
567

[56] **References Cited**

U.S. PATENT DOCUMENTS

D. 270,189 8/1983 Khoo D25/113

D. 305,938	2/1990	Risi et al.	D25/113
D. 341,432	11/1993	Risi et al.	D25/113
4,524,551	6/1985	Scheiwiller	52/592.6
4,815,897	3/1989	Risi et al.	52/592.3
4,860,505	8/1989	Bender	52/592.6

Primary Examiner—Raphael Barkai
Attorney, Agent, or Firm—ROBIC

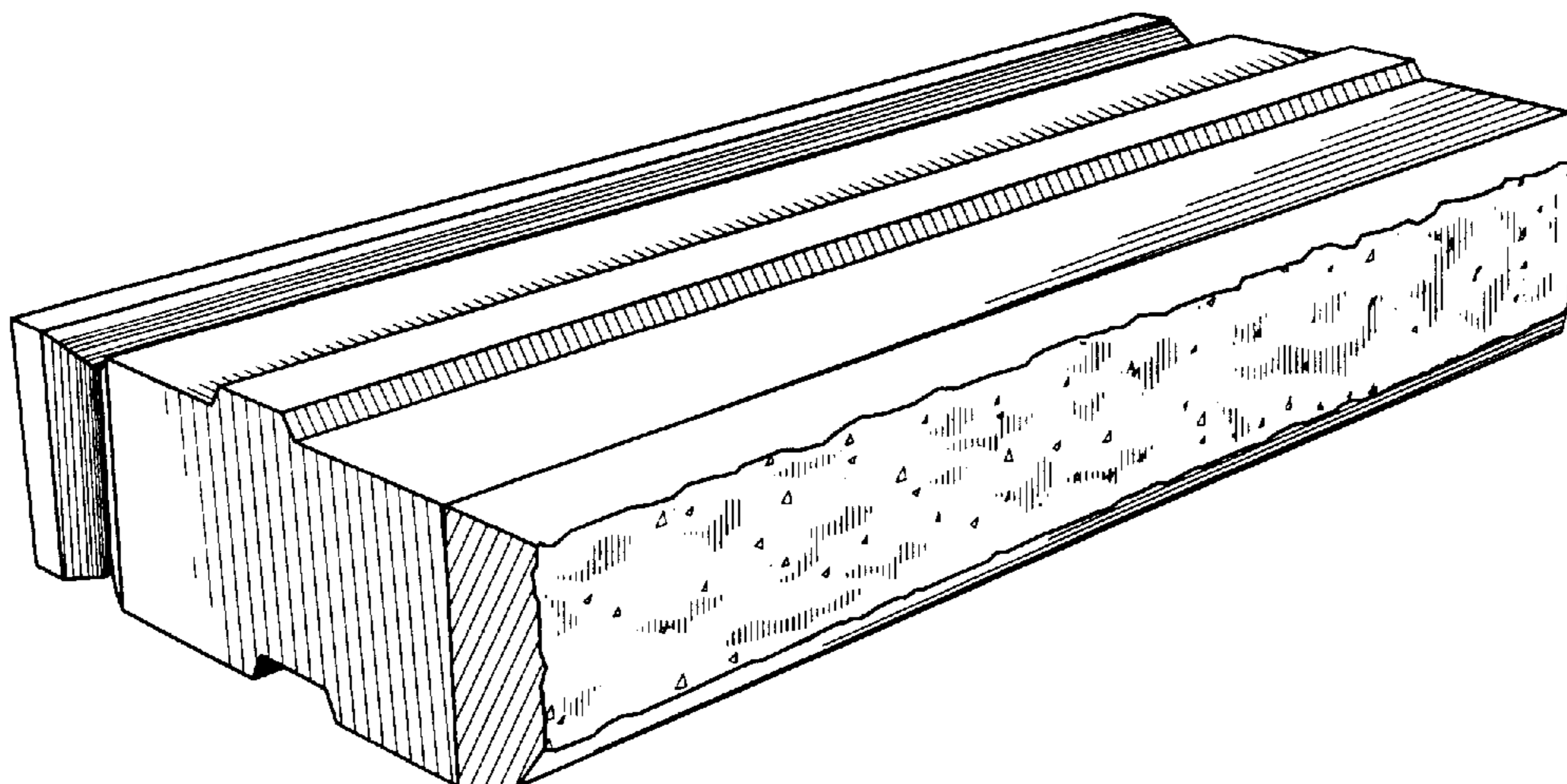
[57] **CLAIM**

The ornamental design for a modular block, as shown and described.

DESCRIPTION

FIG. 1 is a front perspective view of a modular block showing our new design;
FIG. 2 is a top plan view thereof;
FIG. 3 is a bottom plan view thereof;
FIG. 4 is a side elevational view thereof, the other side view being a mirror copy of this view;
FIG. 5 is a front elevational view thereof; and,
FIG. 6 is a rear elevational view thereof.

1 Claim, 3 Drawing Sheets



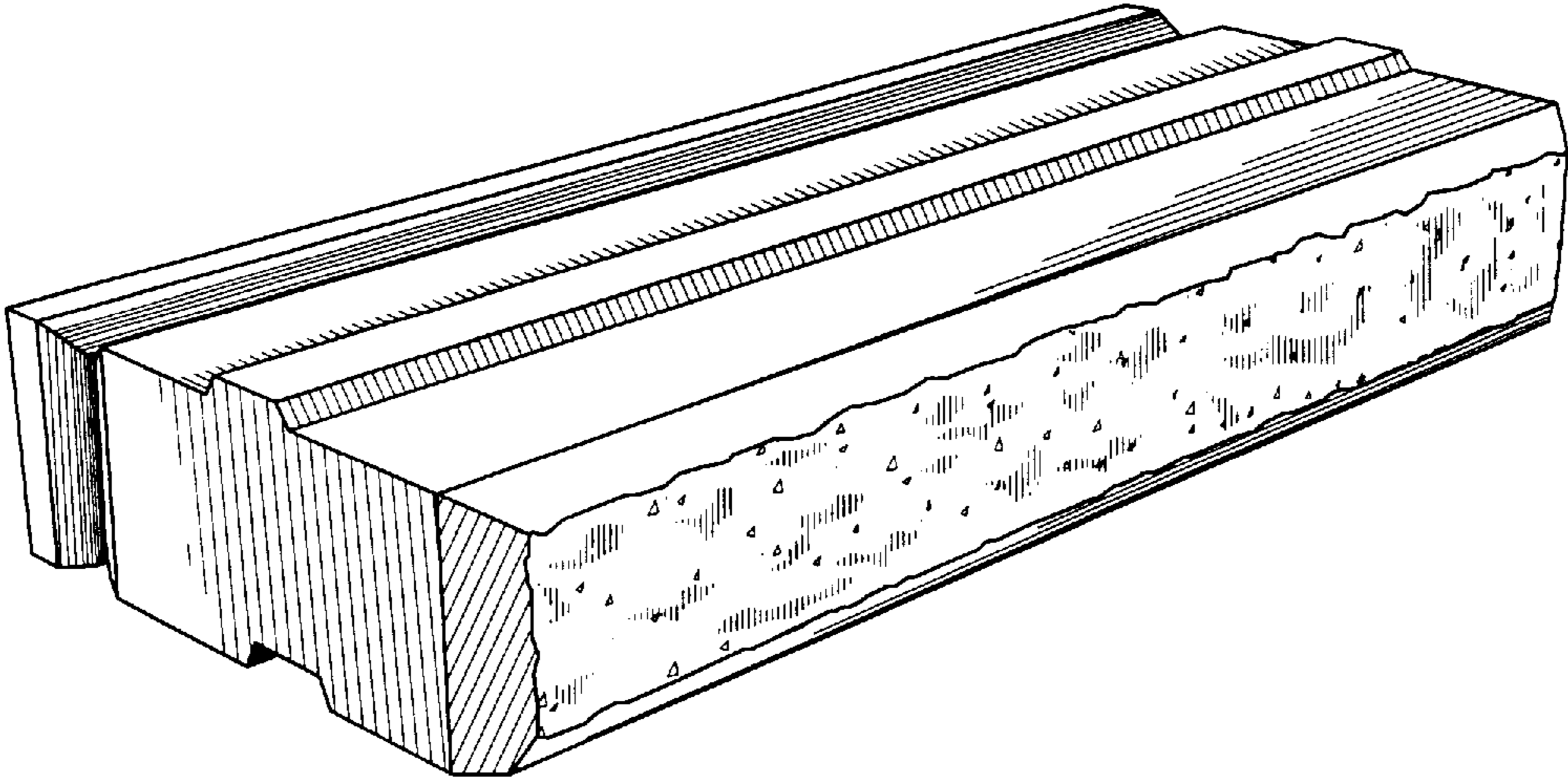


FIG. 1

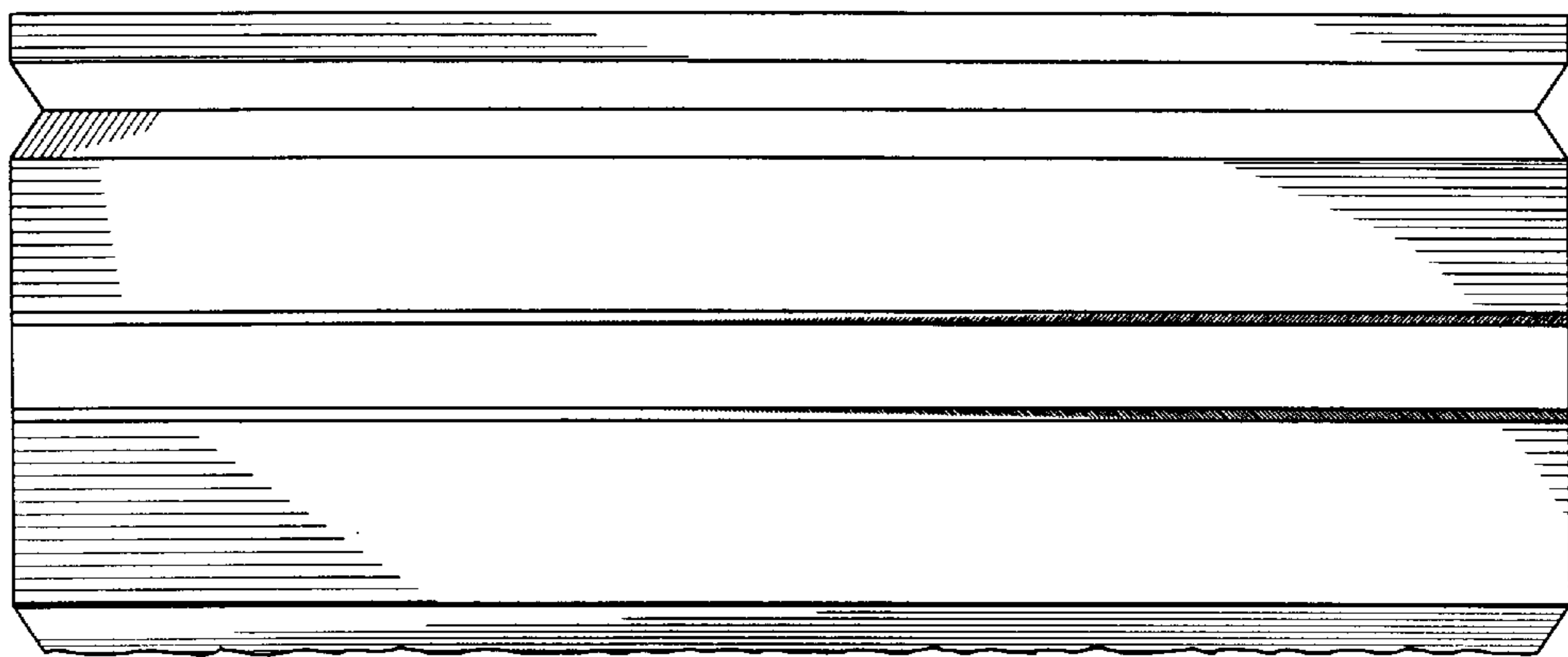


FIG. 2

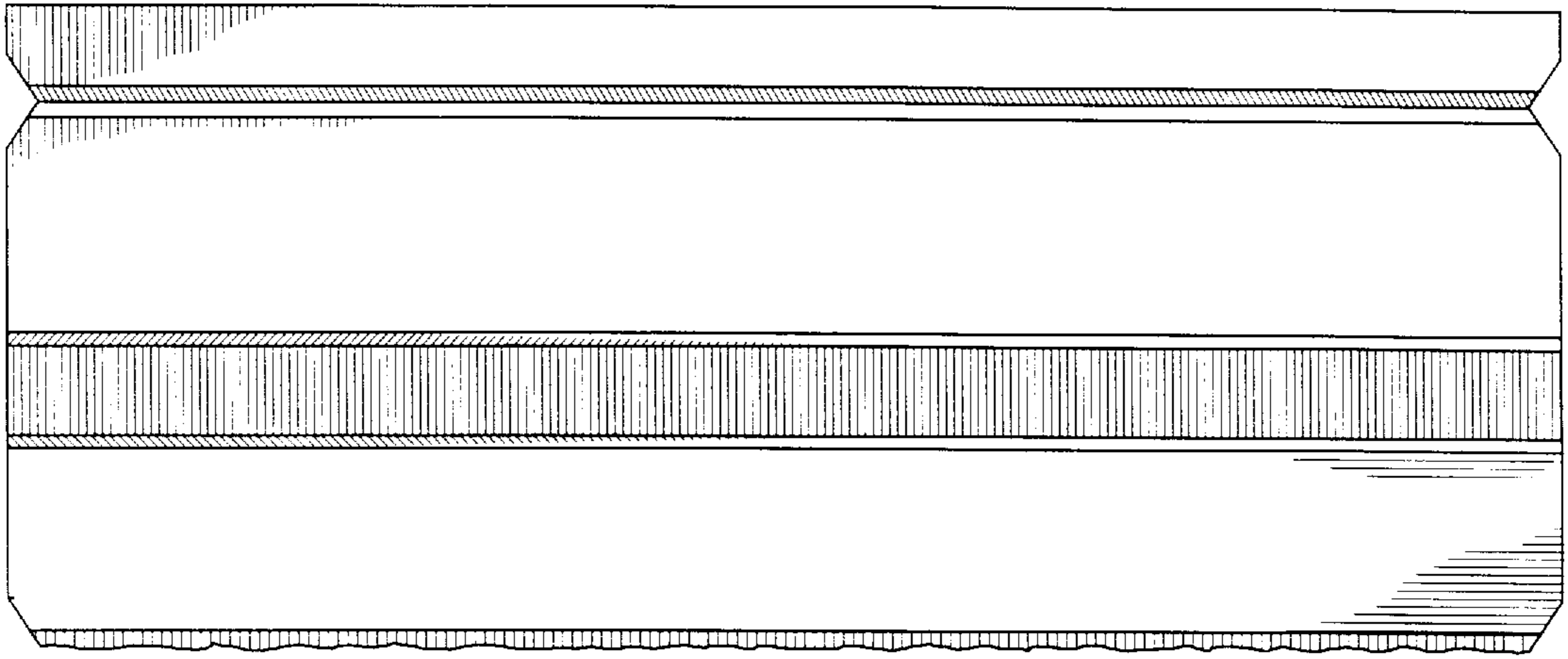


FIG. 3

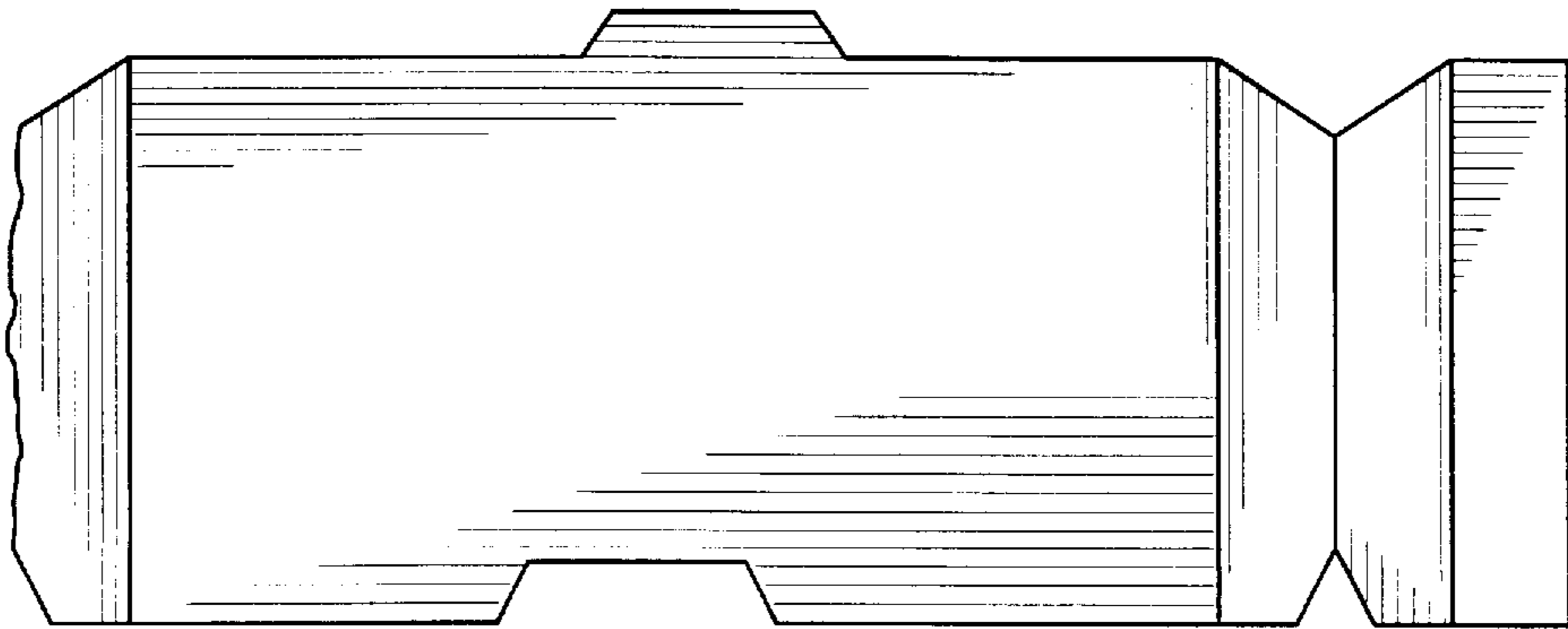


FIG. 4

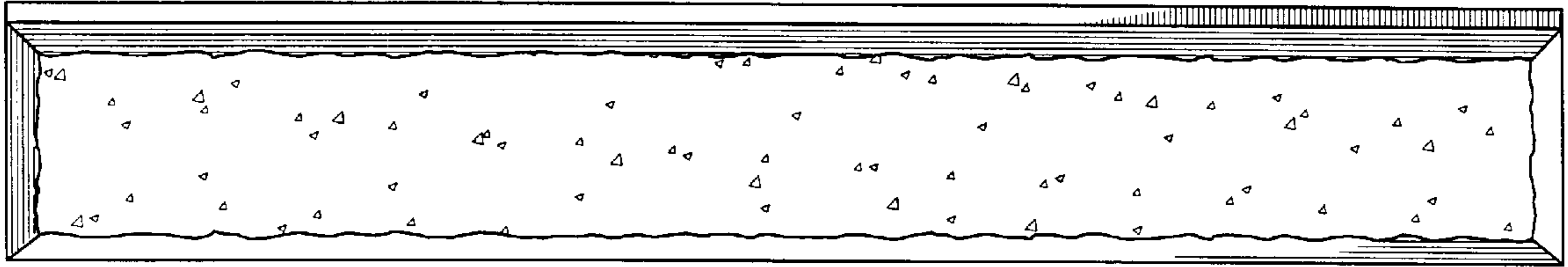


FIG. 5

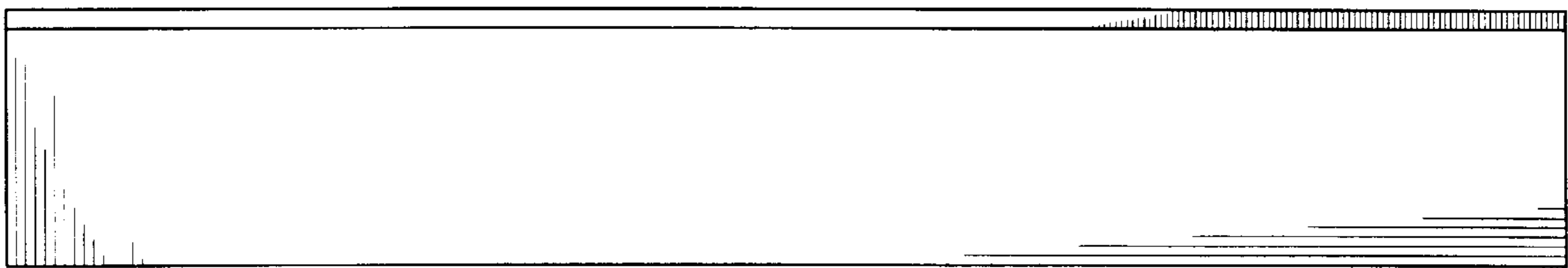


FIG. 6