



US00D403783S

United States Patent [19] Takai

[11] **Patent Number:** **Des. 403,783**

[45] **Date of Patent:** ****Jan. 5, 1999**

[54] **WORKING PLATFORM**

[75] Inventor: **Ishiyuki Takai**, Matsudo, Japan

[73] Assignee: **Sanritsu Giken Kogyo Kabushiki-Kaisya**, Matsudo, Japan

[**] Term: **14 Years**

[21] Appl. No.: **71,220**

[22] Filed: **May 23, 1997**

[51] **LOC (6) Cl.** **25-02**

[52] **U.S. Cl.** **D25/66**

[58] **Field of Search** D25/62, 66; 182/222, 182/223, 141, 148, 149

[56] **References Cited**

U.S. PATENT DOCUMENTS

D. 208,630 9/1967 Coblentz D25/66
5,588,500 12/1996 Yonahara 182/141

Primary Examiner—Doris Clark
Attorney, Agent, or Firm—Birch, Stewart, Kolasch & Birch, LLP

[57] **CLAIM**

I claim the ornamental design of a working platform, as shown and described.

DESCRIPTION

FIG. 1 is a perspective view of the working platform showing my new design;
FIG. 2 is a front elevational view thereof;
FIG. 3 is a rear elevational view thereof;
FIG. 4 is a top plan view thereof;
FIG. 5 is a bottom plan view thereof;
FIG. 6 is a right end elevational view thereof;
FIG. 7 is a left end elevational view thereof; and,
FIG. 8 is a folded view of the working platform, the floor element shown removed.

1 Claim, 7 Drawing Sheets

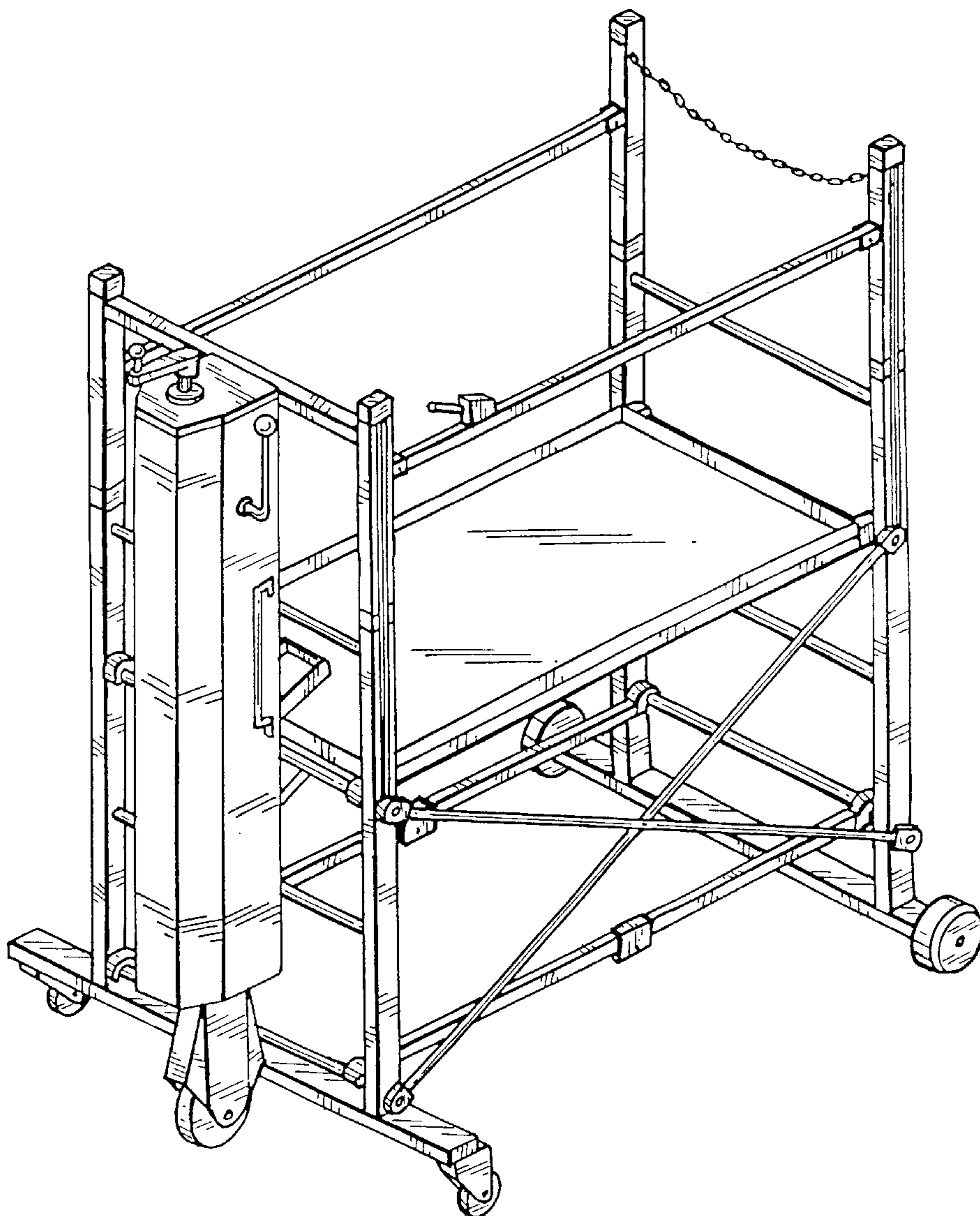


FIG. 1

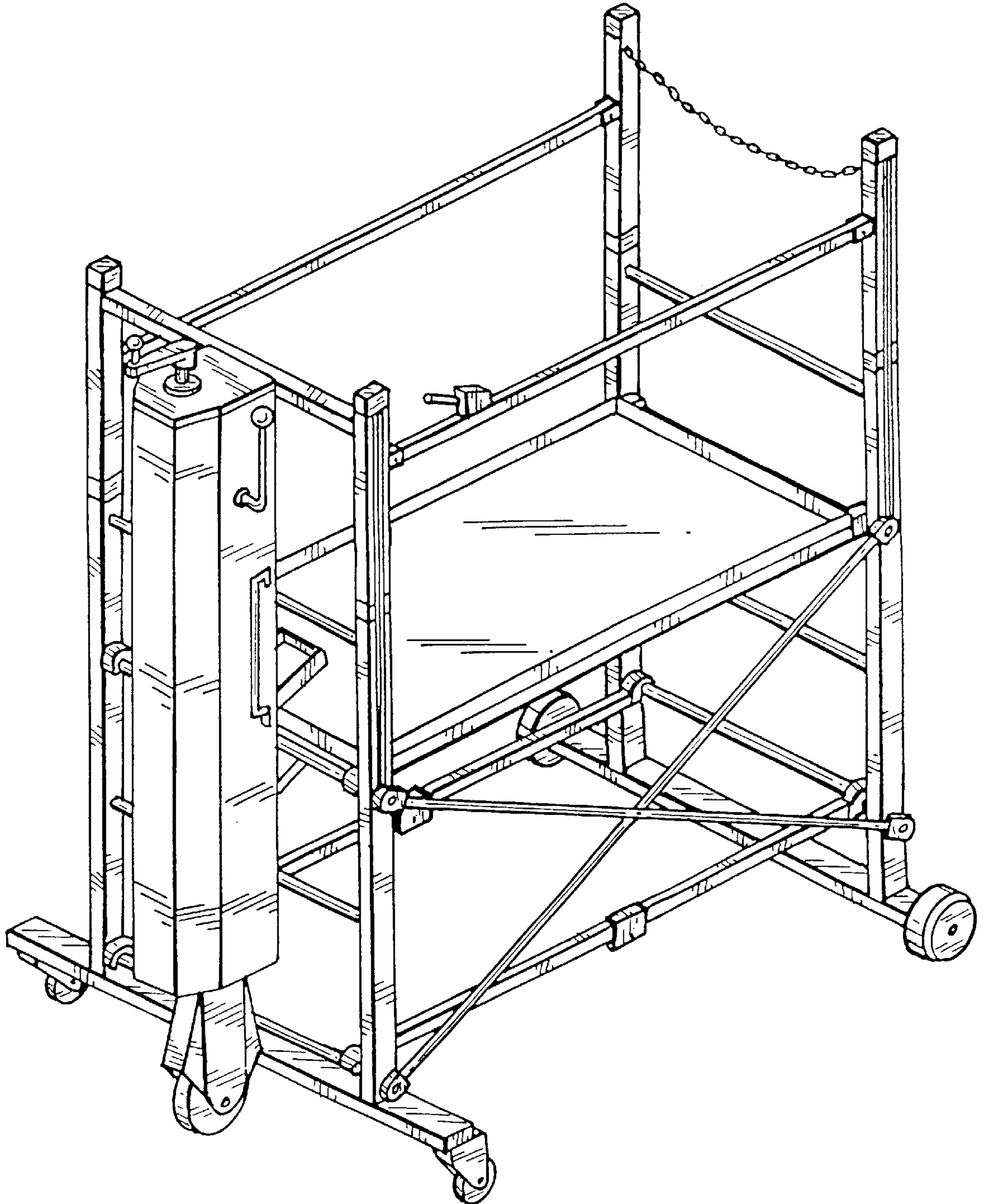


FIG. 2

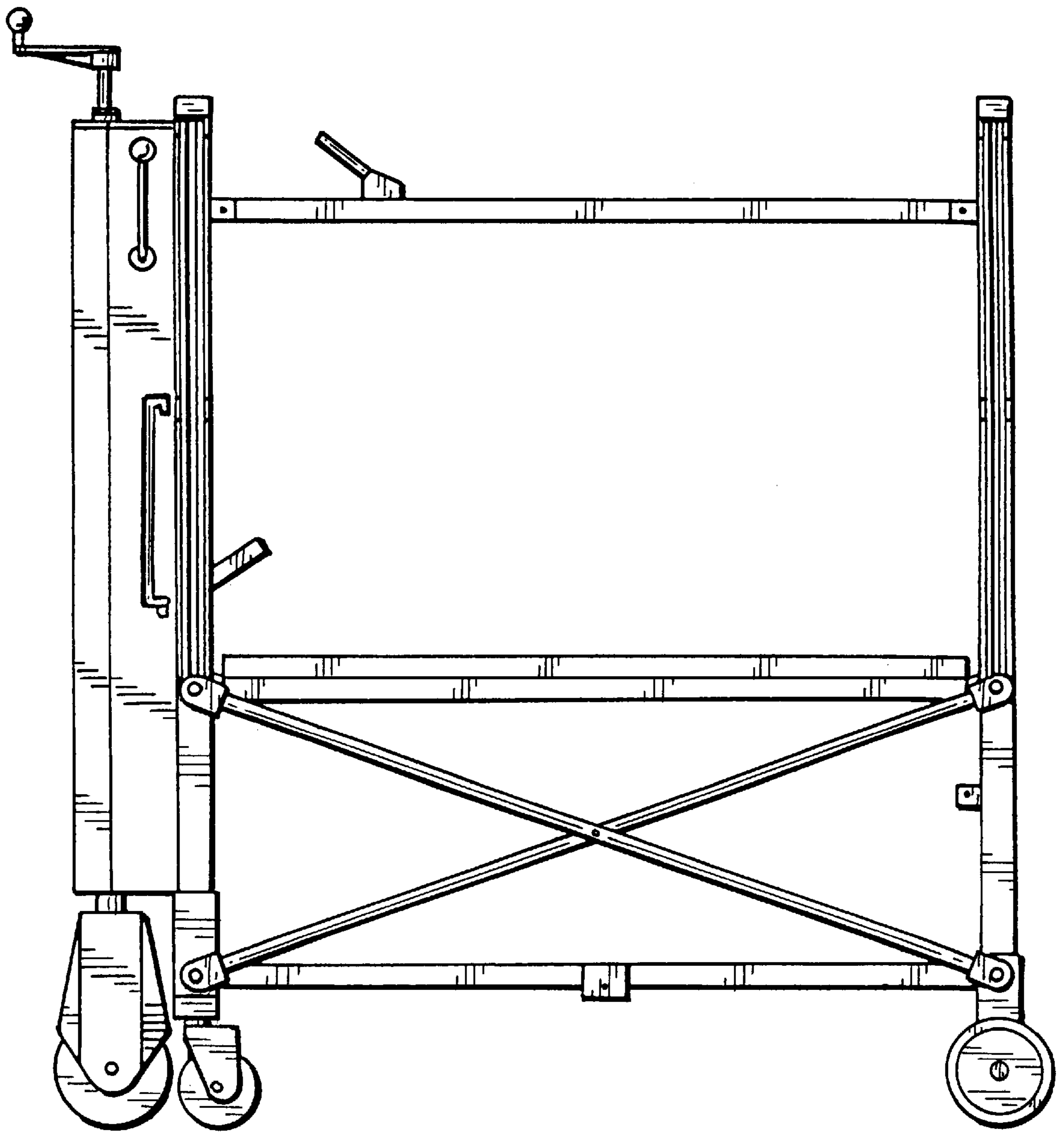


FIG. 3

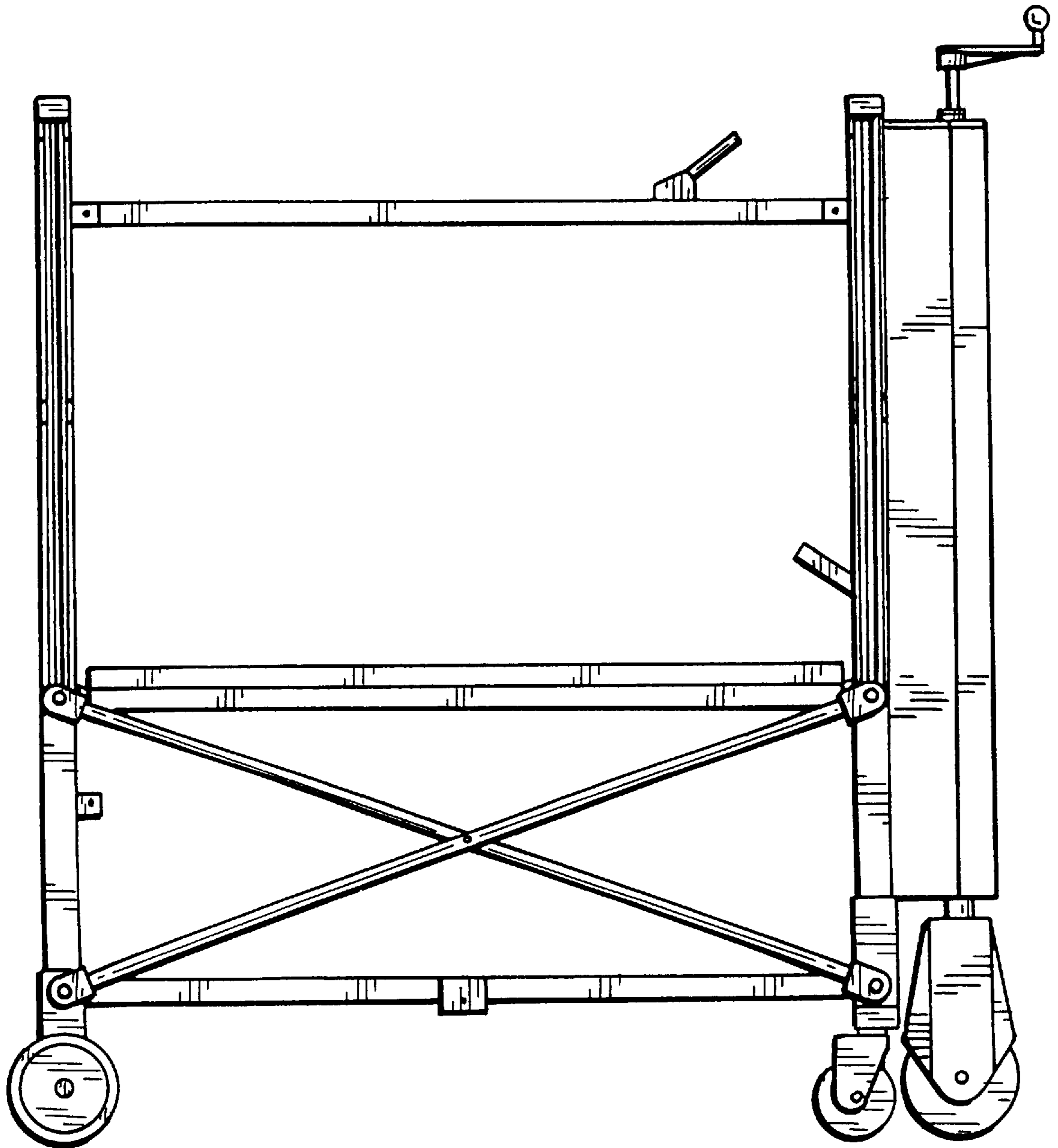


FIG. 4

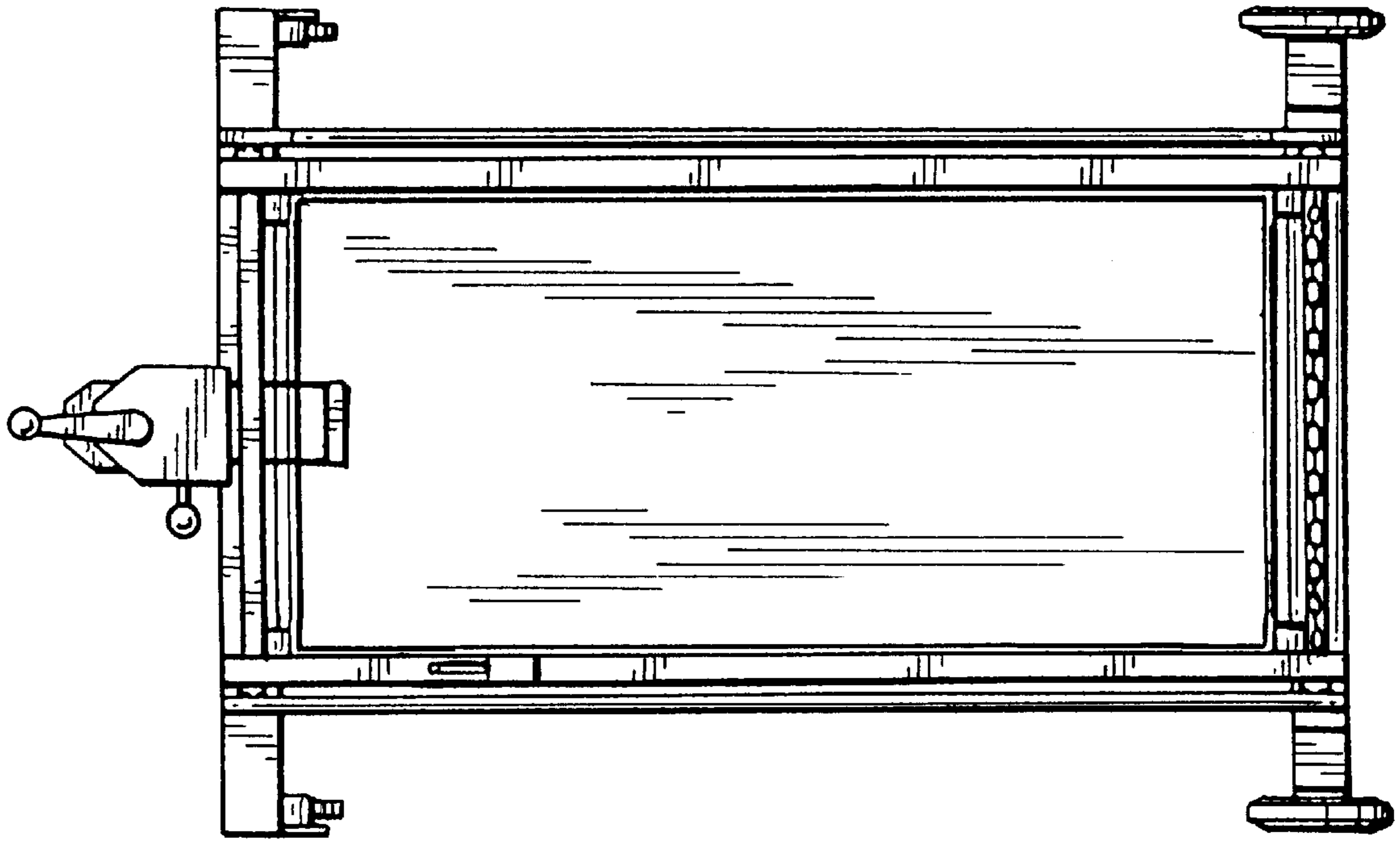


FIG. 5

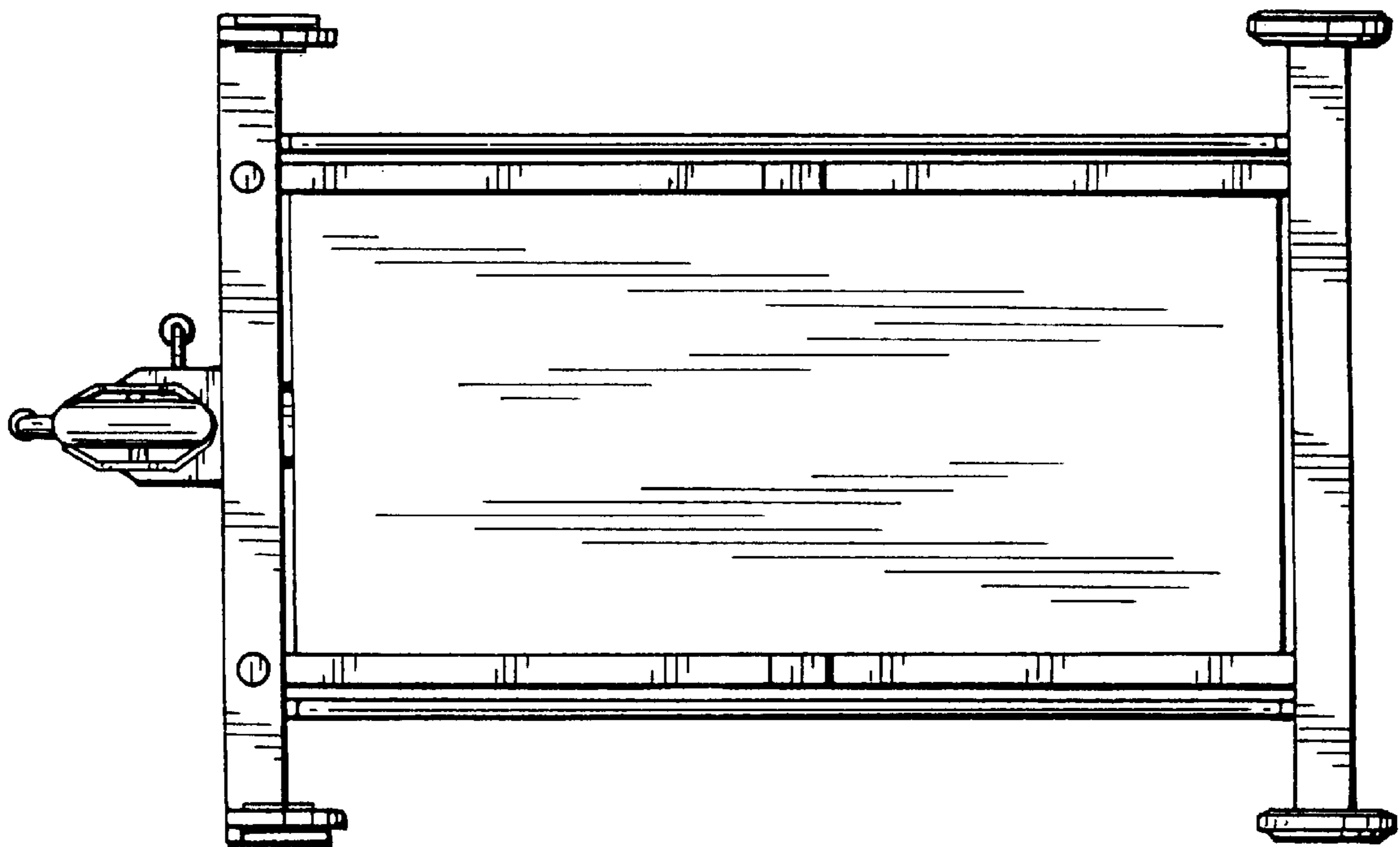


FIG. 6

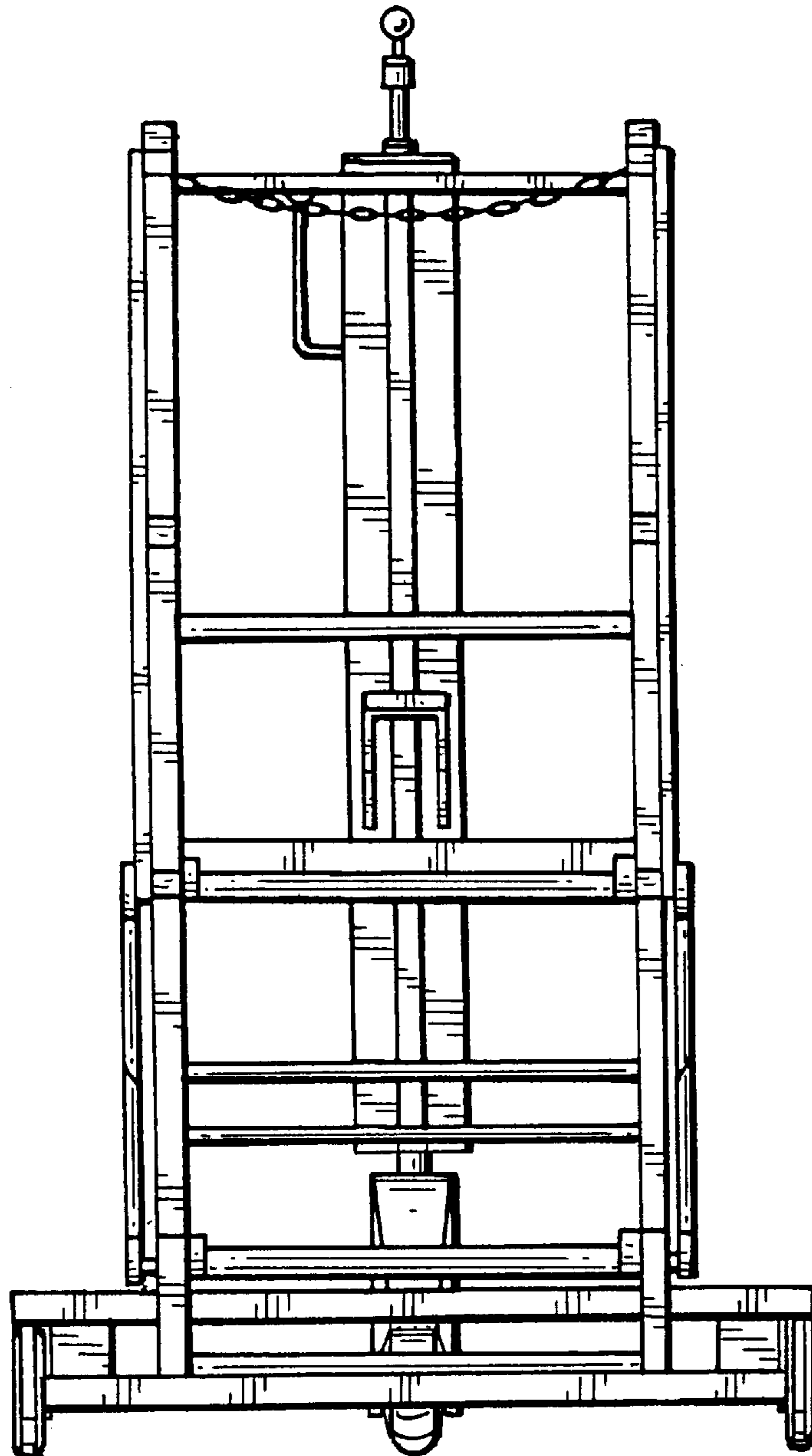


FIG. 7

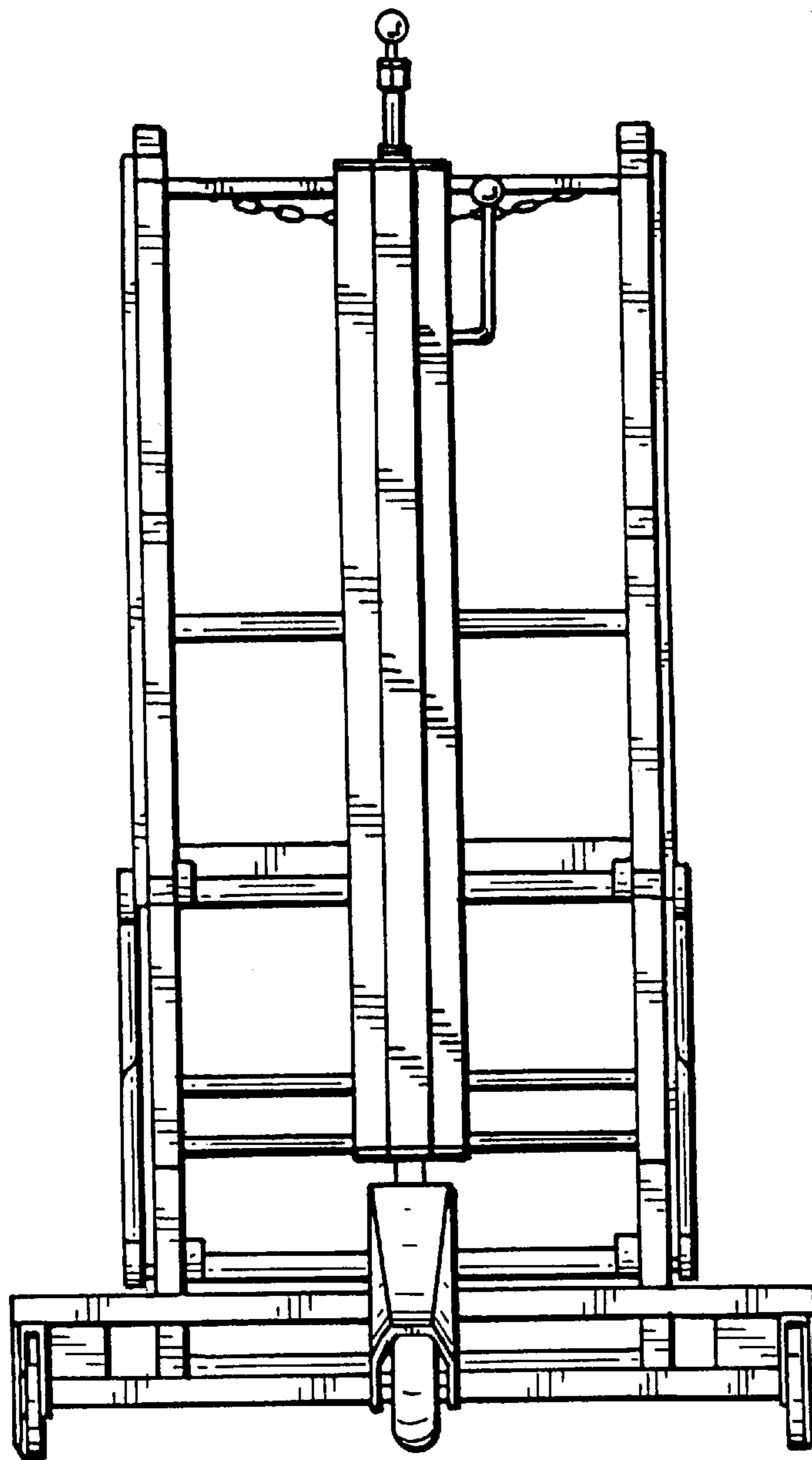


FIG. 8

