



US00D403782S

# United States Patent [19] James

[11] Patent Number: Des. 403,782

[45] Date of Patent: \*\*Jan. 5, 1999

[54] **PORTABLE CARPORT FRAME**

[76] Inventor: **Michael James**, 12197 Sanibel Ct.,  
Reston, Va. 22091

[\*\*] Term: **14 Years**

[21] Appl. No.: **66,343**

[22] Filed: **Feb. 11, 1997**

### Related U.S. Application Data

[63] Continuation of Ser. No. 693,401, Aug. 7, 1996, Division of  
Ser. No. 404,491, Mar. 17, 1995, Pat. No. 5,575,300.

[51] **LOC (6) Cl.** ..... **25-02**

[52] **U.S. Cl.** ..... **D25/61**

[58] **Field of Search** ..... D25/61, 56, 34;  
135/88.01, 87, 88.06; 224/457

[56] **References Cited**

#### U.S. PATENT DOCUMENTS

D. 33,235	9/1900	Duguid	.....	D25/61
D. 302,593	8/1989	Holdorsen	.....	D25/61
D. 365,884	1/1996	Dennis	.....	D25/56
1,095,856	5/1914	Harnishfeger	.....	224/42.28
1,141,185	6/1915	Harnishfeger	.....	224/42.28
1,337,911	4/1920	Hoover	.....	224/42.28
1,585,436	5/1926	Swenson	.....	224/42.12
1,593,441	7/1926	Cosgrove	.....	224/42.12 X
2,818,875	1/1958	Denn	.....	D25/56
3,036,583	5/1962	Miller	.....	135/4
3,143,123	8/1964	Boor	.....	135/88.07
3,186,420	6/1965	Magee	.....	135/88.07
3,465,765	9/1969	Dietz	.....	135/88.06 X

3,550,601	12/1970	Peters	.....	D25/56
3,952,758	4/1976	Addison et al.	.....	135/88.07
4,605,030	8/1986	Johnson	.....	135/117
4,655,236	4/1987	Dorame et al.	.....	135/88
4,683,900	8/1987	Camichael	.....	135/88.06
4,886,083	12/1989	Gamache	.....	135/88
4,944,321	7/1990	Moyet-Ortiz	.....	135/88
5,013,079	5/1991	Ho	.....	135/88.05 X
5,241,977	9/1993	Flores et al.	.....	135/88

#### FOREIGN PATENT DOCUMENTS

65748	2/1969	Germany	.....	135/88.06
1018164	11/1991	WIPO	.....	135/88.06

*Primary Examiner*—Doris Clark  
*Attorney, Agent, or Firm*—Rabin & Champagne, P.C.

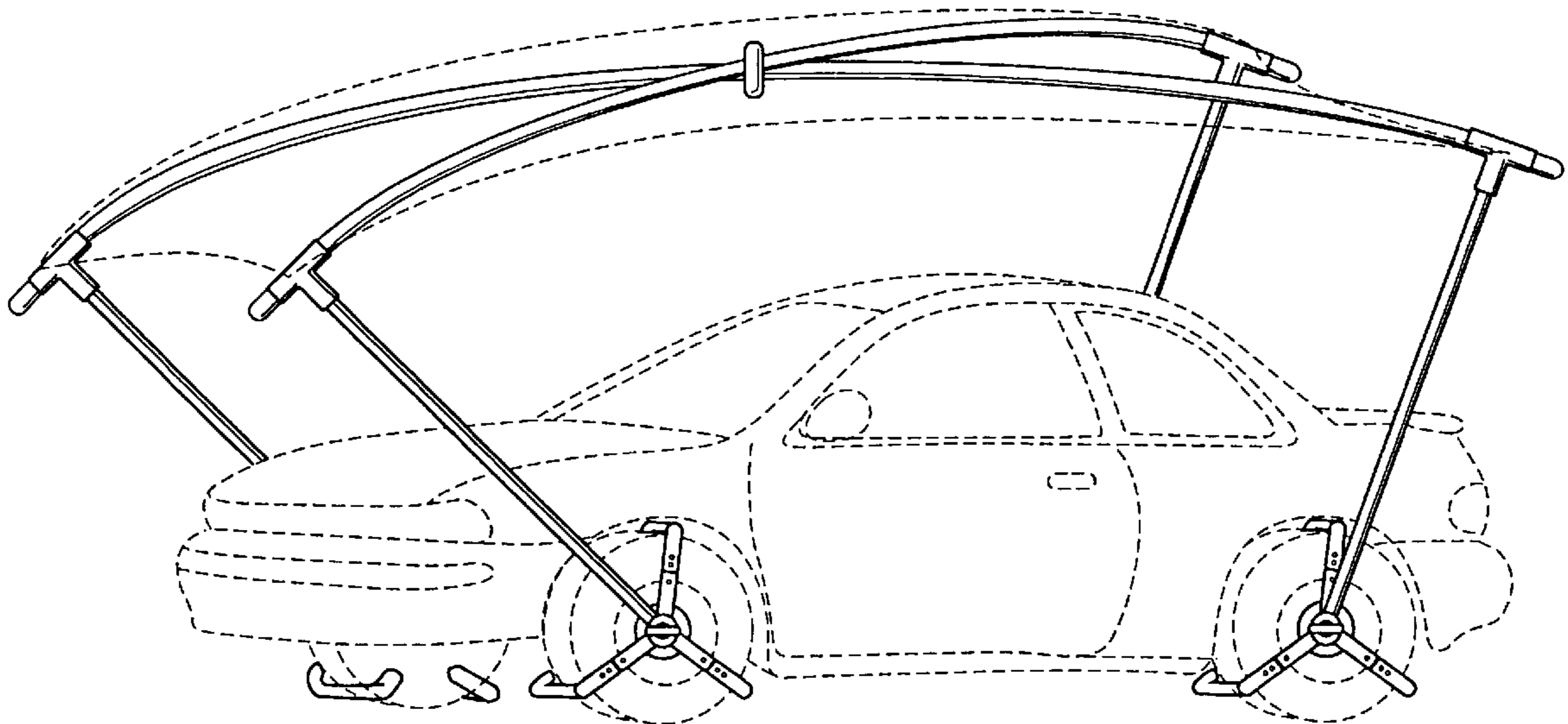
[57] **CLAIM**

The ornamental design for a portable carport frame, as shown and described.

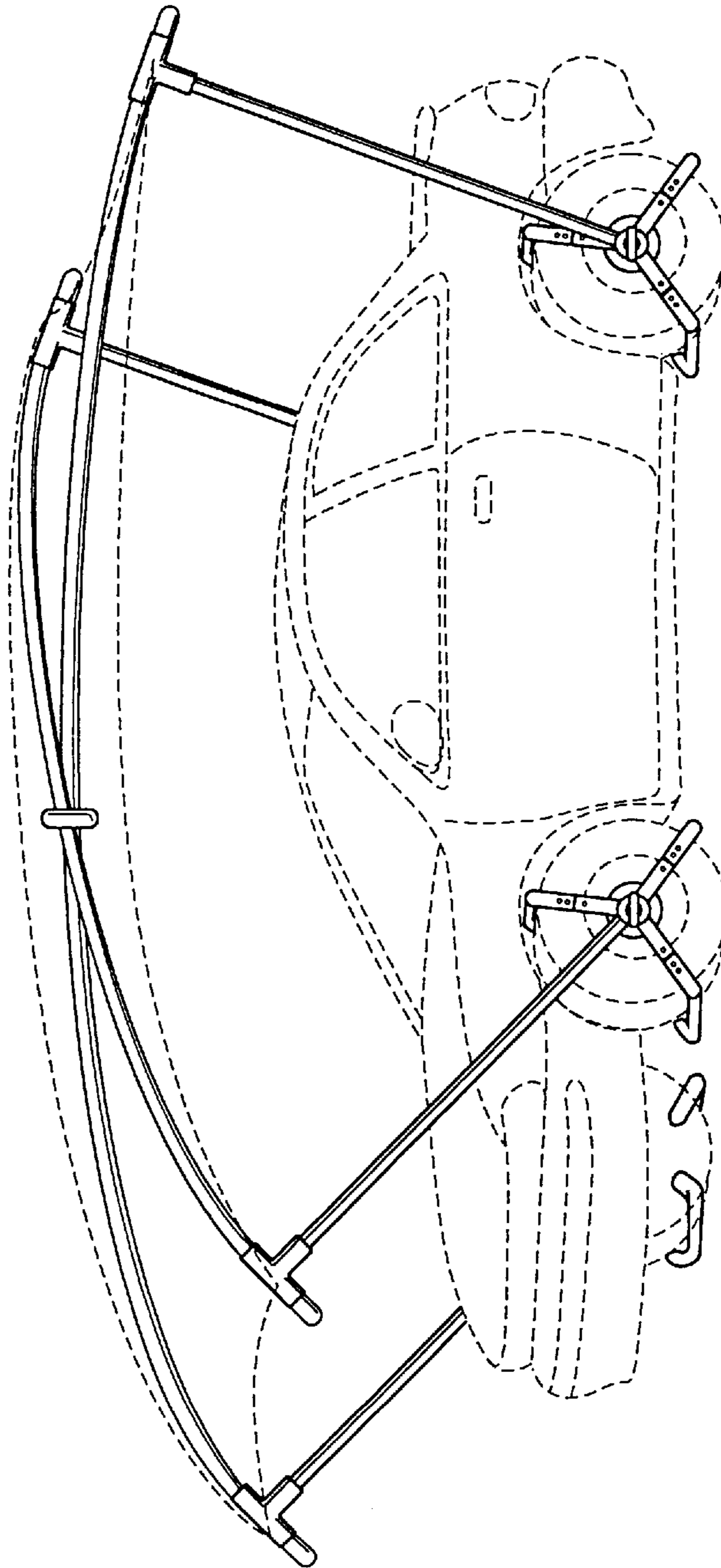
#### DESCRIPTION

FIG. 1 is a side perspective view showing my new design of a portable carport frame, and being attached to an illustrative automobile, which is indicated in dashed lines and forms no part of the claimed invention; FIG. 2 is a front view of the design shown in FIG. 1; and, FIG. 3 is a top view of the design shown in FIG. 1; The present invention is symmetrical, with the left view being similar to the right view, and the back view being similar to the front view. A cover, indicated in dashed lines, is shown attached to the invention in FIGS. 1 and 3, and forms no part of the claimed invention.

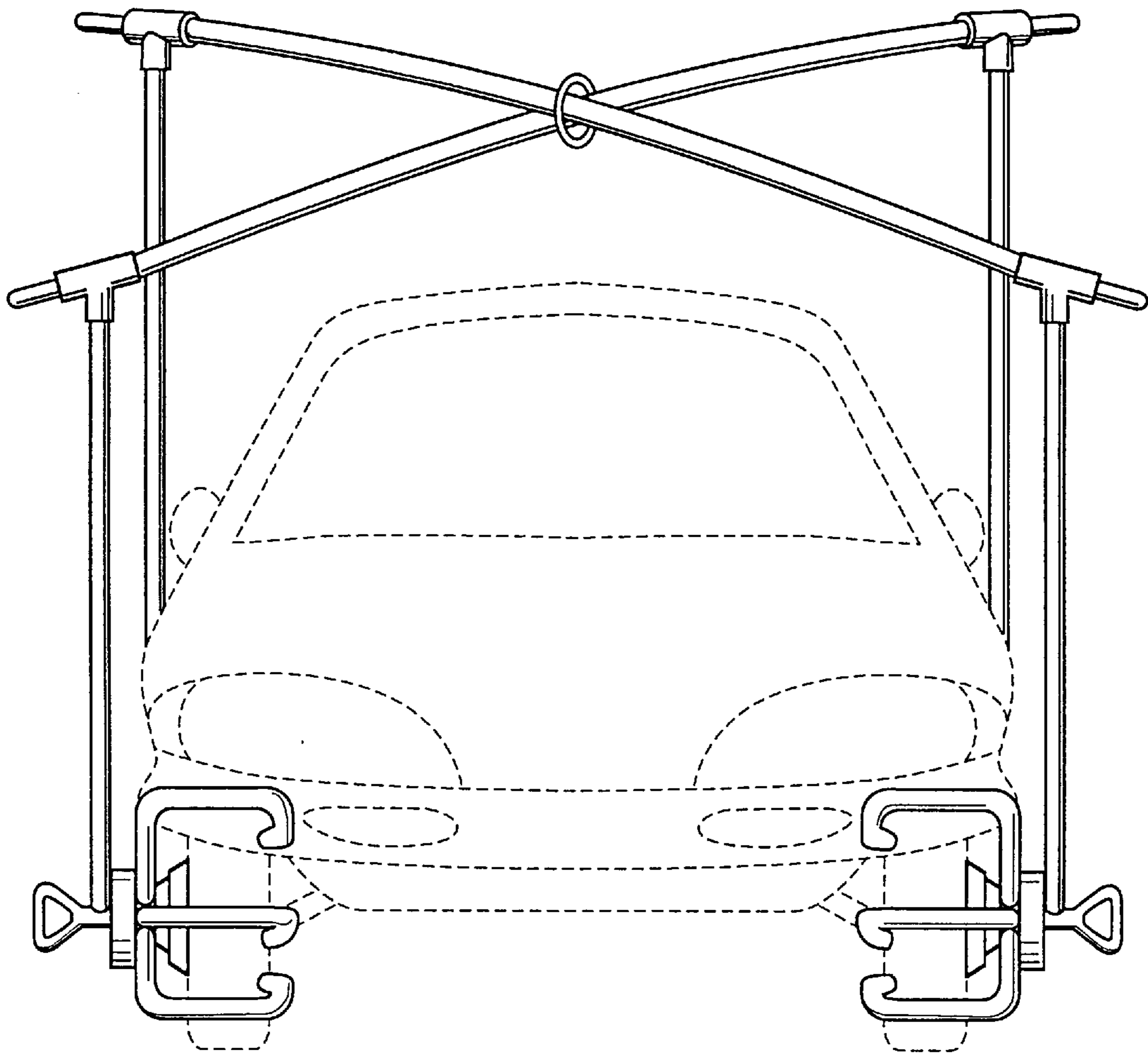
**1 Claim, 3 Drawing Sheets**



**FIG. 1**



*FIG. 2*



*FIG. 3*

