



US00D403781S

United States Patent [19] Cody

[11] **Patent Number:** **Des. 403,781**

[45] **Date of Patent:** ****Jan. 5, 1999**

[54] **PORTABLE TREE BLIND**

3,709,237 1/1973 Smith 135/87
3,913,598 10/1975 Glutting, Jr. et al. 135/901

[76] Inventor: **Charles T. Cody**, 656 N. Gleaner Rd.,
Saginaw, Mich. 48609

Primary Examiner—Doris Clark

[**] Term: **14 Years**

[57] CLAIM

[21] Appl. No.: **64,599**

I claim the ornamental design for a portable tree blind, as shown and described.

[22] Filed: **Jan. 7, 1997**

DESCRIPTION

[51] **LOC (6) Cl.** **25-02**

FIG. 1 is an exploded perspective view of the portable tree blind showing our new design;

[52] **U.S. Cl.** **D25/58; D25/16; D25/53**

FIG. 2 is a left end elevational view thereof, the right end elevational view being a mirror image of the view shown in this FIG.;

[58] **Field of Search** **D25/16, 53, 58; 135/901, 87; 43/1**

FIG. 3 is a front elevational view thereof;

FIG. 4 is a rear elevational view thereof;

FIG. 5 is a top plan view thereof; and,

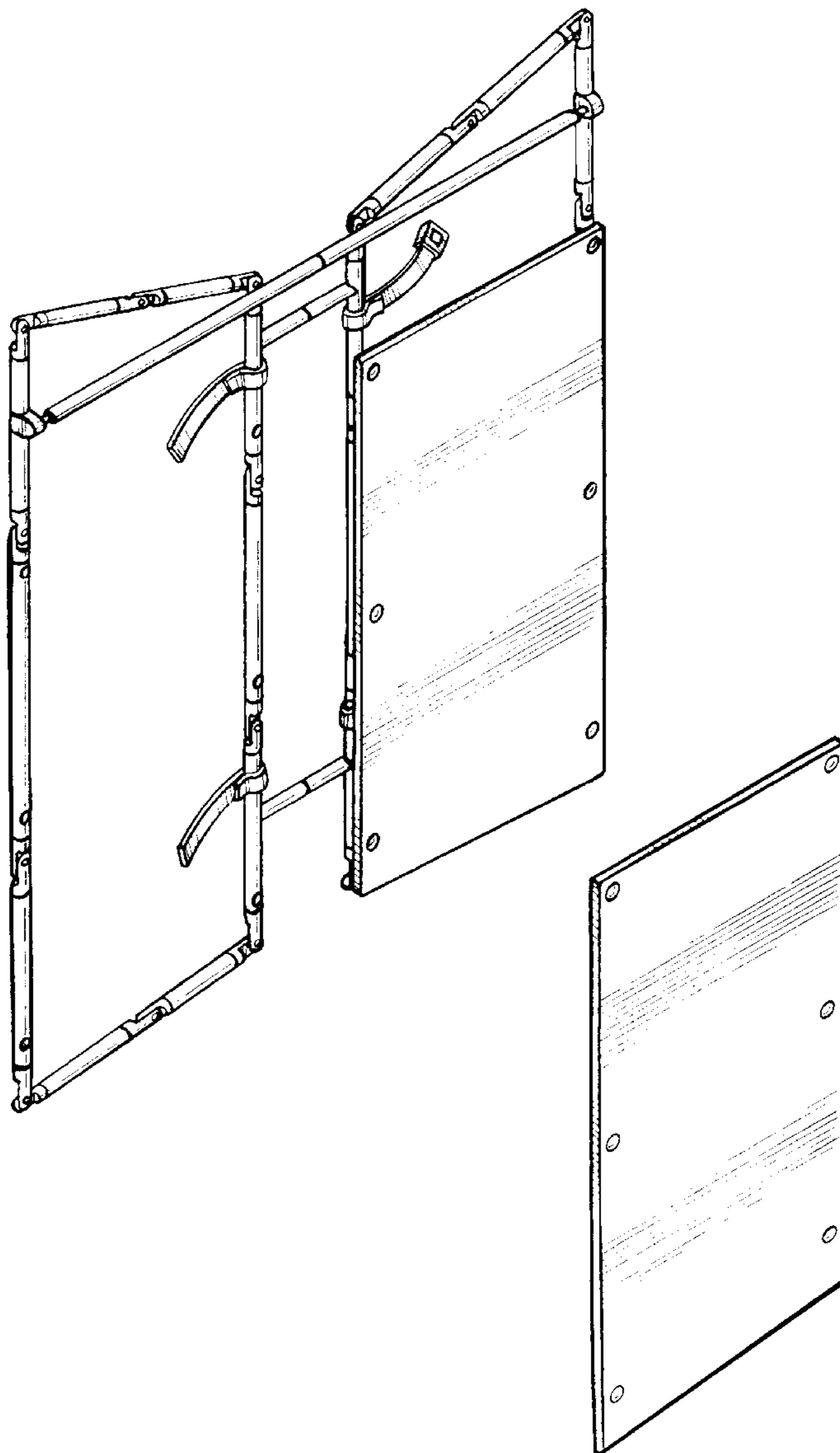
FIG. 6 is a bottom plan view thereof.

[56] References Cited

U.S. PATENT DOCUMENTS

- D. 328,529 8/1992 Lenarczyk D25/53
- D. 350,399 9/1994 Bodrie D25/16
- D. 353,946 1/1995 Fischer et al. D25/58

1 Claim, 3 Drawing Sheets



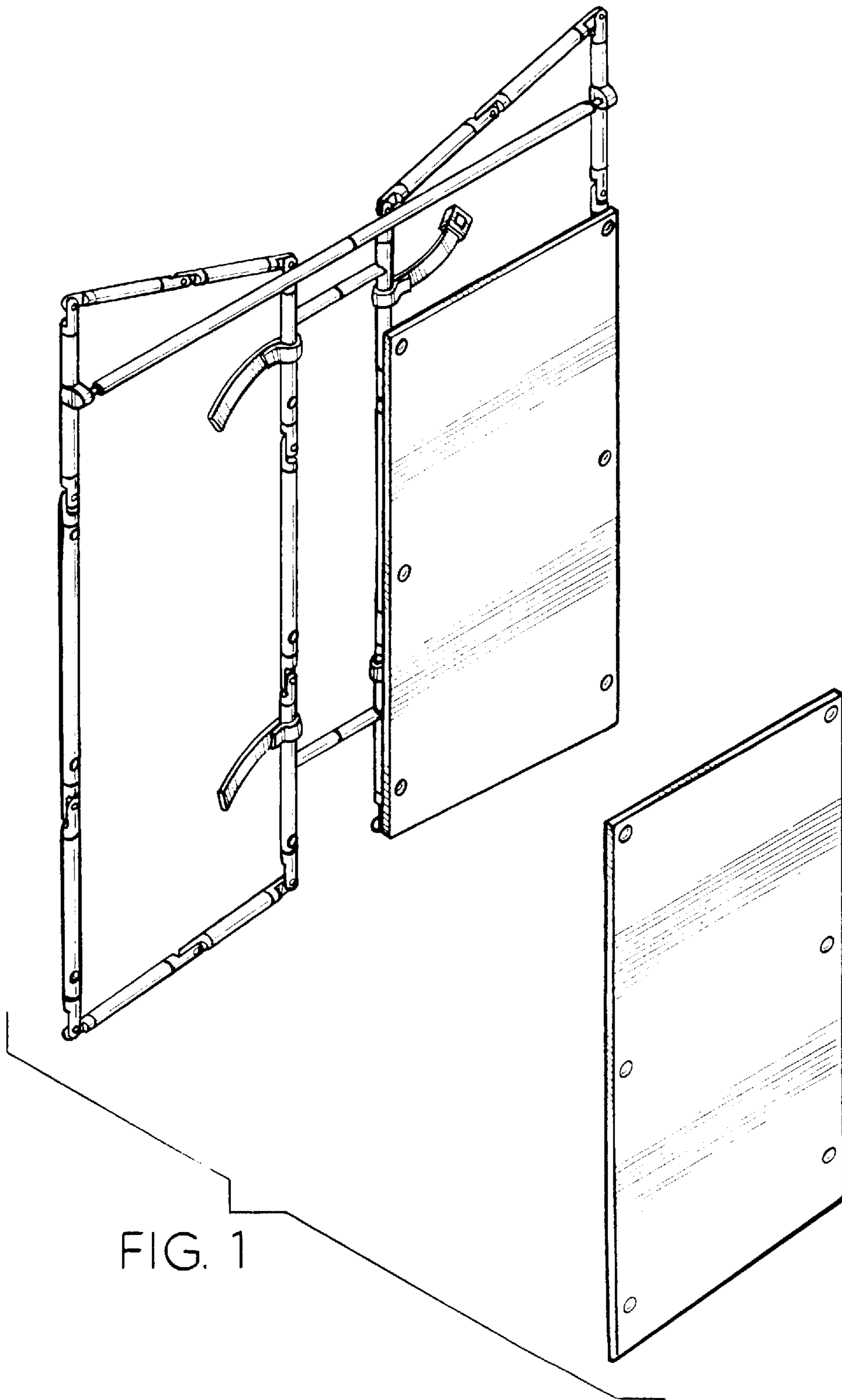


FIG. 1



FIG. 2

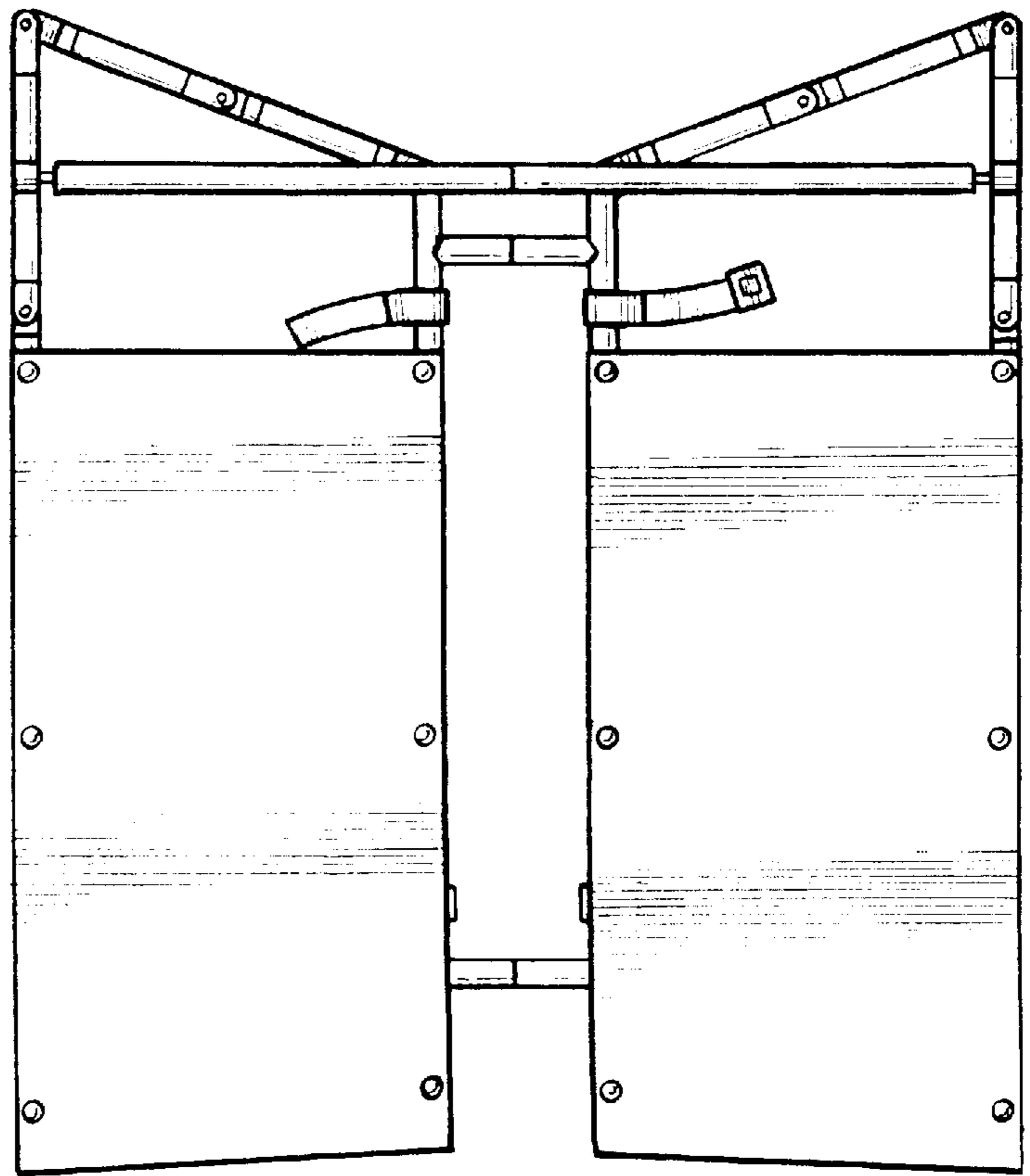


FIG. 3

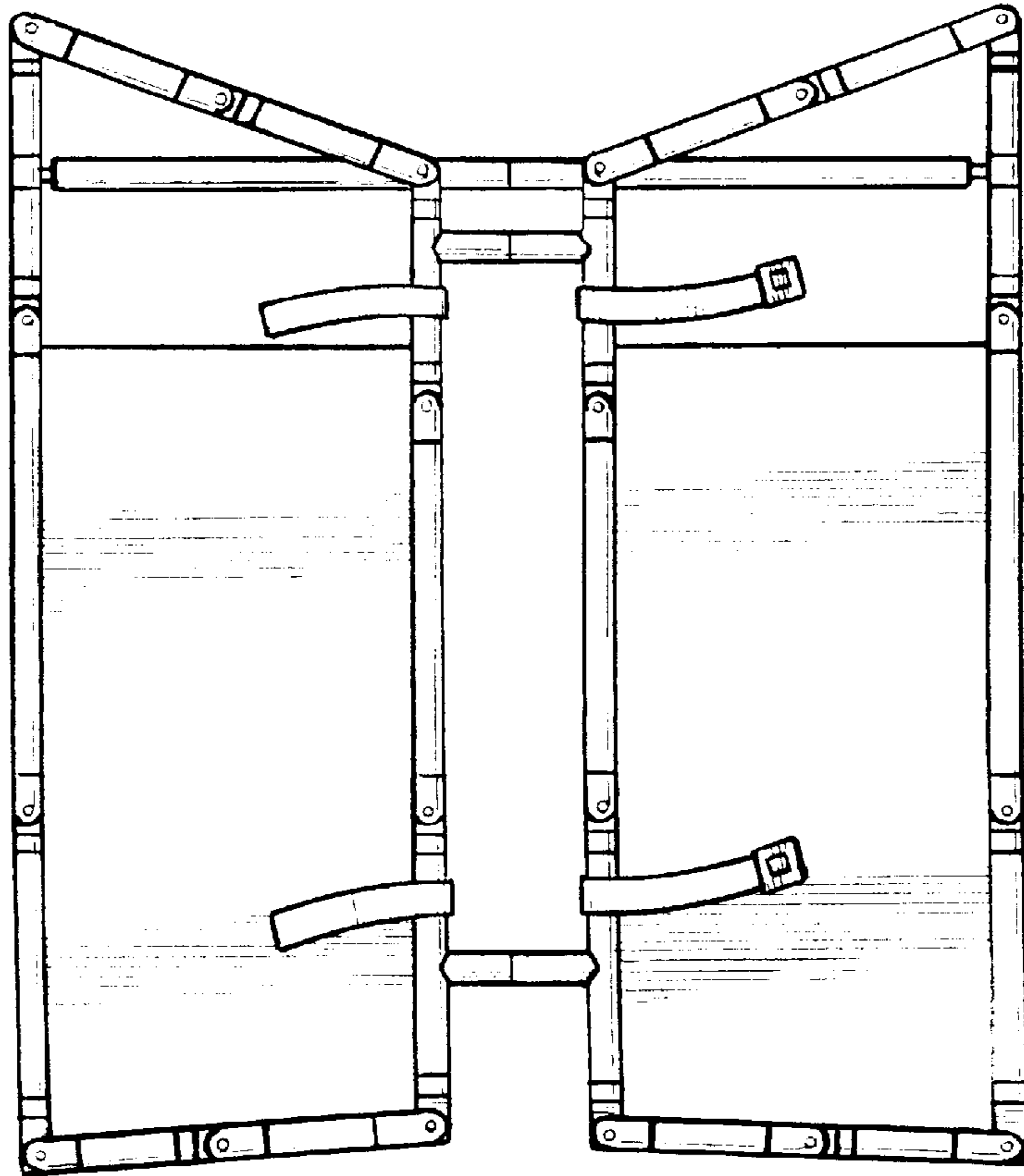


FIG. 4

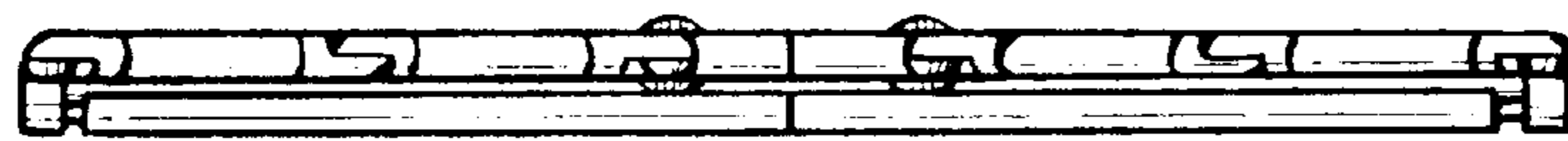


FIG. 5

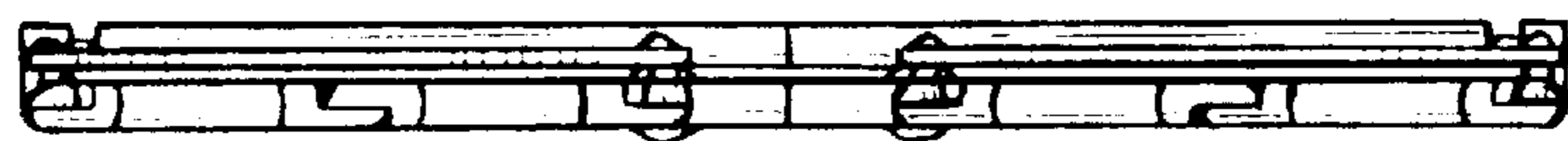


FIG. 6