



US00D403780S

# United States Patent [19]

**Bishop et al.**

[11] **Patent Number: Des. 403,780**

[45] **Date of Patent: \*\*Jan. 5, 1999**

[54] **WAVE ENERGY EXTRACTION MODULE**

[76] Inventors: **Robert Bishop; Justin Bishop**, both of  
1083 Bloomfield Ave., West Caldwell,  
N.J. 07006

[\*\*] Term: **14 Years**

[21] Appl. No.: **63,882**

[22] Filed: **Dec. 18, 1996**

[51] **LOC (6) Cl. .... 25-01**

[52] **U.S. Cl. .... D25/113**

[58] **Field of Search .... D13/101; D25/113;**  
290/53, 42; 60/398; 405/21, 30, 33, 25,  
35, 34, 76

[56] **References Cited**

**U.S. PATENT DOCUMENTS**

D. 344,349	2/1994	Ohta	.....	D25/113
3,938,338	2/1976	Cullen	.....	405/21
3,991,576	11/1976	Tazaki et al.	.....	61/5
4,118,937	10/1978	Mansen	.....	405/30
4,341,489	7/1982	Karnas	.....	405/35
4,856,934	8/1989	Nelson	.....	405/33
4,900,188	2/1990	Haselton et al.	.....	405/27

5,122,015	6/1992	Shen	.....	405/284
5,238,326	8/1993	Creter	.....	405/25
5,246,307	9/1993	Rauch	.....	405/25

*Primary Examiner*—Joel Sincavage  
*Attorney, Agent, or Firm*—Weingram & Associates, P.C.

[57] **CLAIM**

We claim the ornamental design for a wave energy extraction module, as shown and described.

**DESCRIPTION**

FIG. 1 is a front perspective view of a wave energy extraction module showing our new design according to the present invention;

FIG. 2 is a left side elevational view thereof;

FIG. 3 is a right side elevational view thereof;

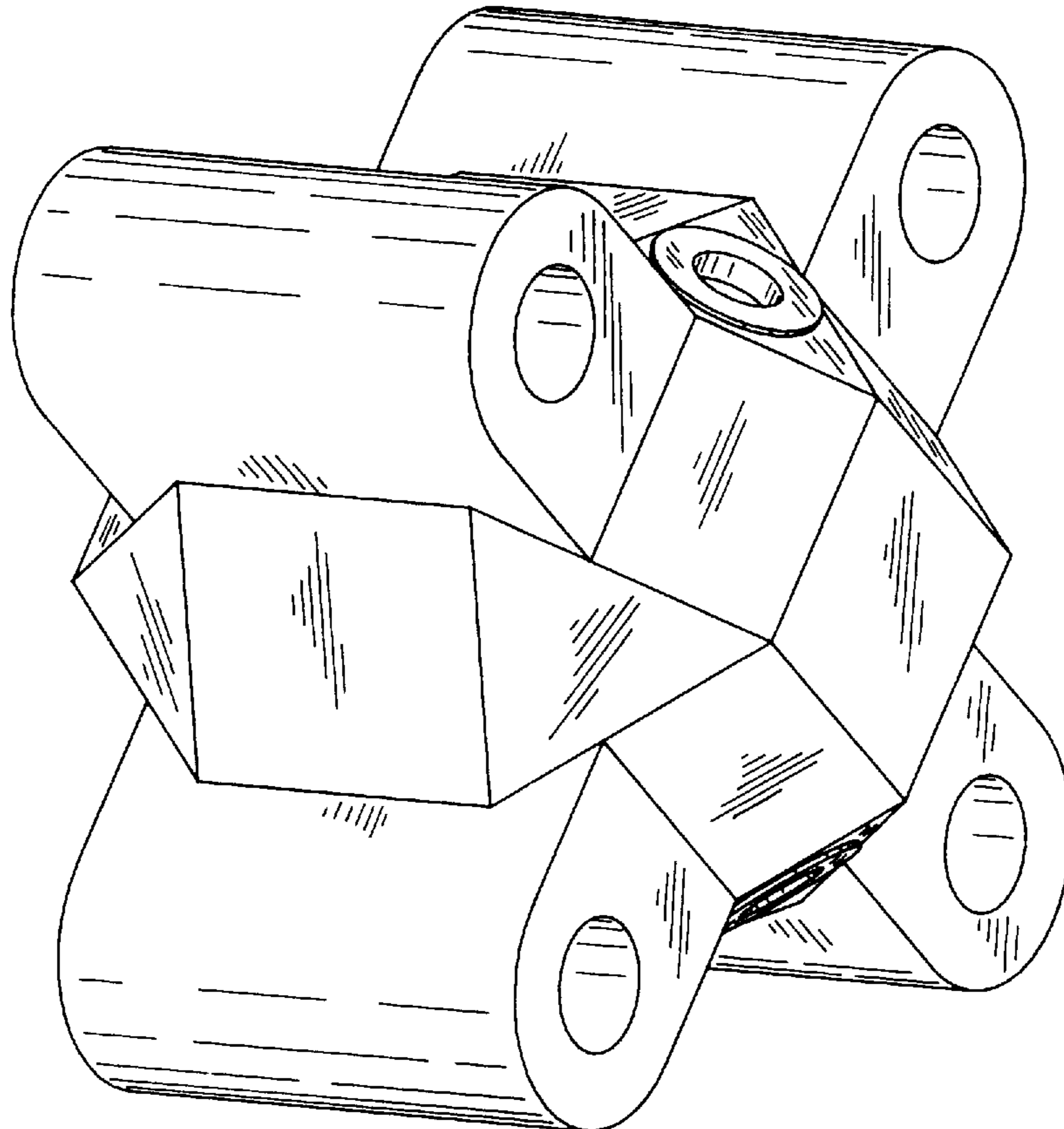
FIG. 4 is a top plan view, the opposite side being a mirror image thereof;

FIG. 5 is a front plan view, the opposite side being a mirror image thereof;

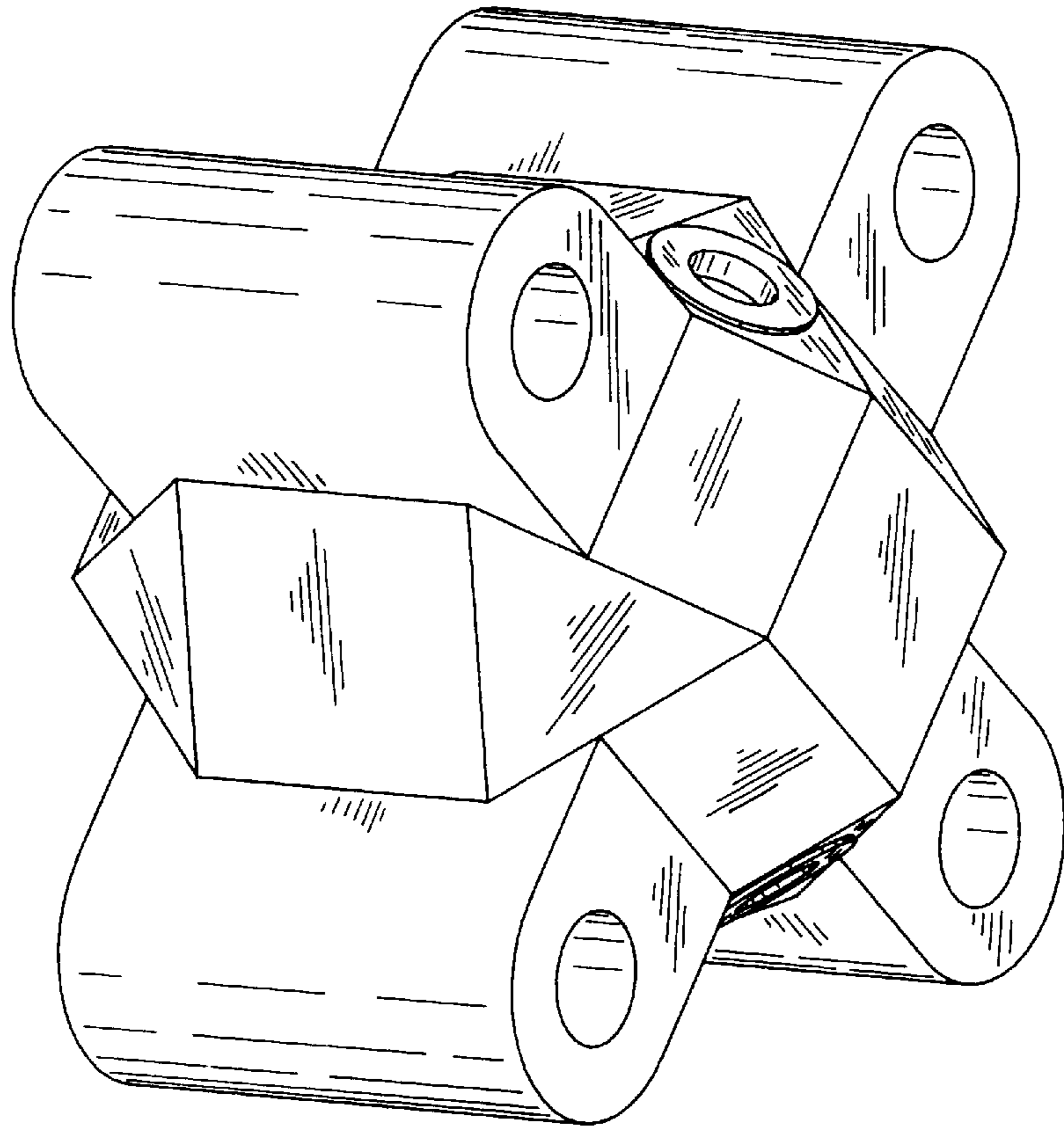
FIG. 6 is a front plan view of FIG. 4 pivoted approximately 45°; and,

FIG. 7 is a rear plan view of FIG. 4 pivoted approximately 45°.

**1 Claim, 3 Drawing Sheets**



**FIG. 1**



**FIG. 2**

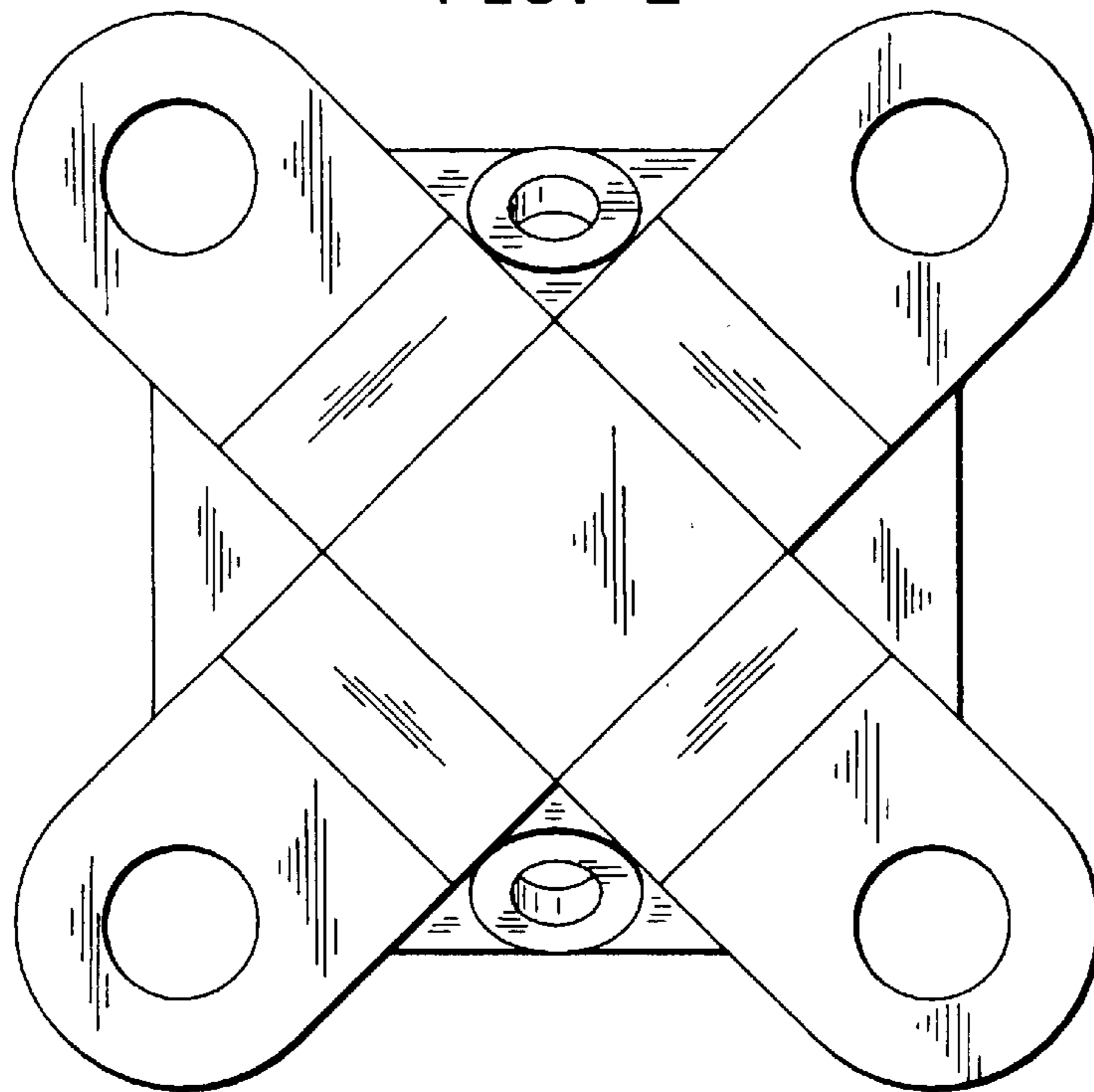


FIG. 3

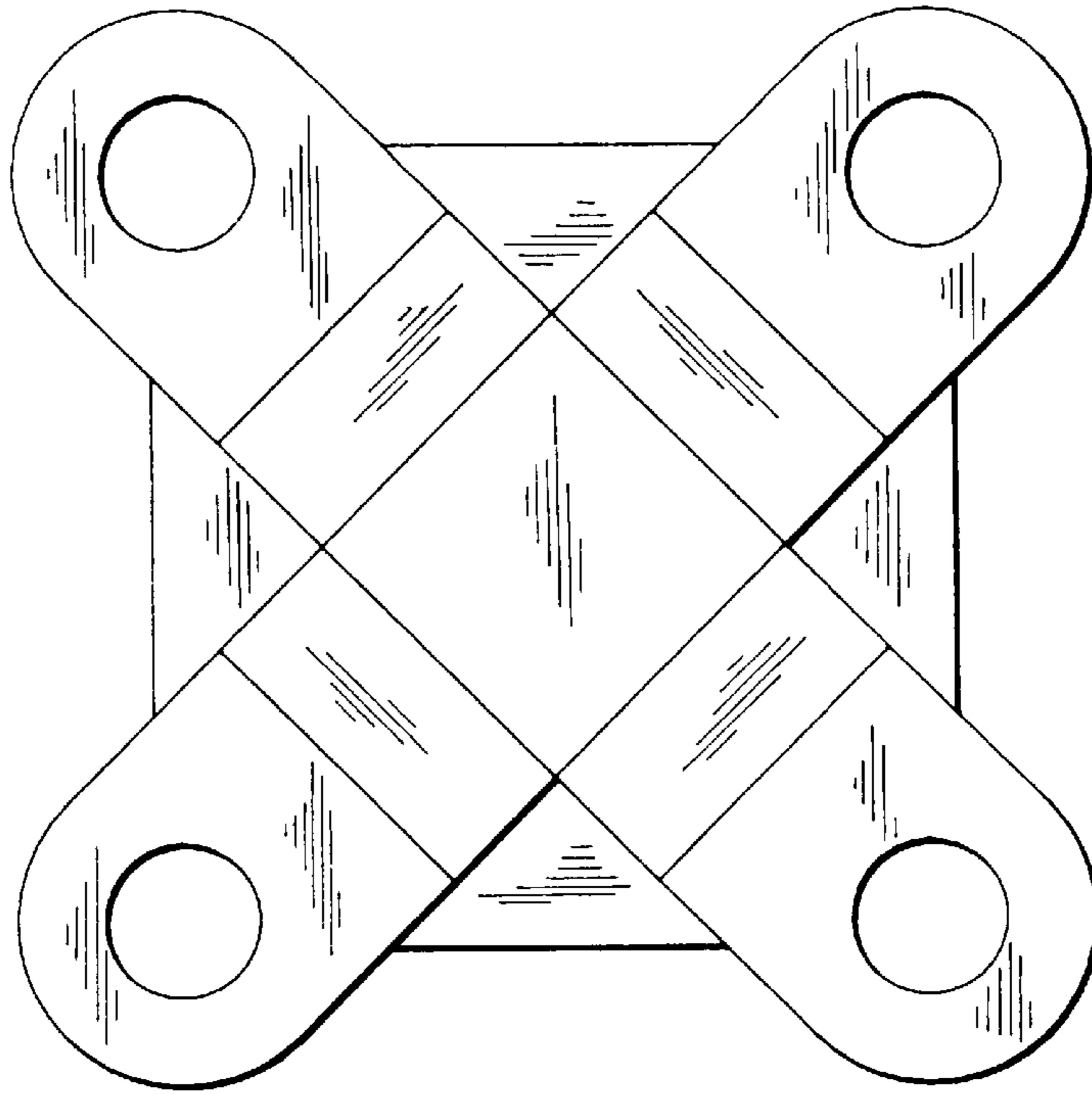


FIG. 4

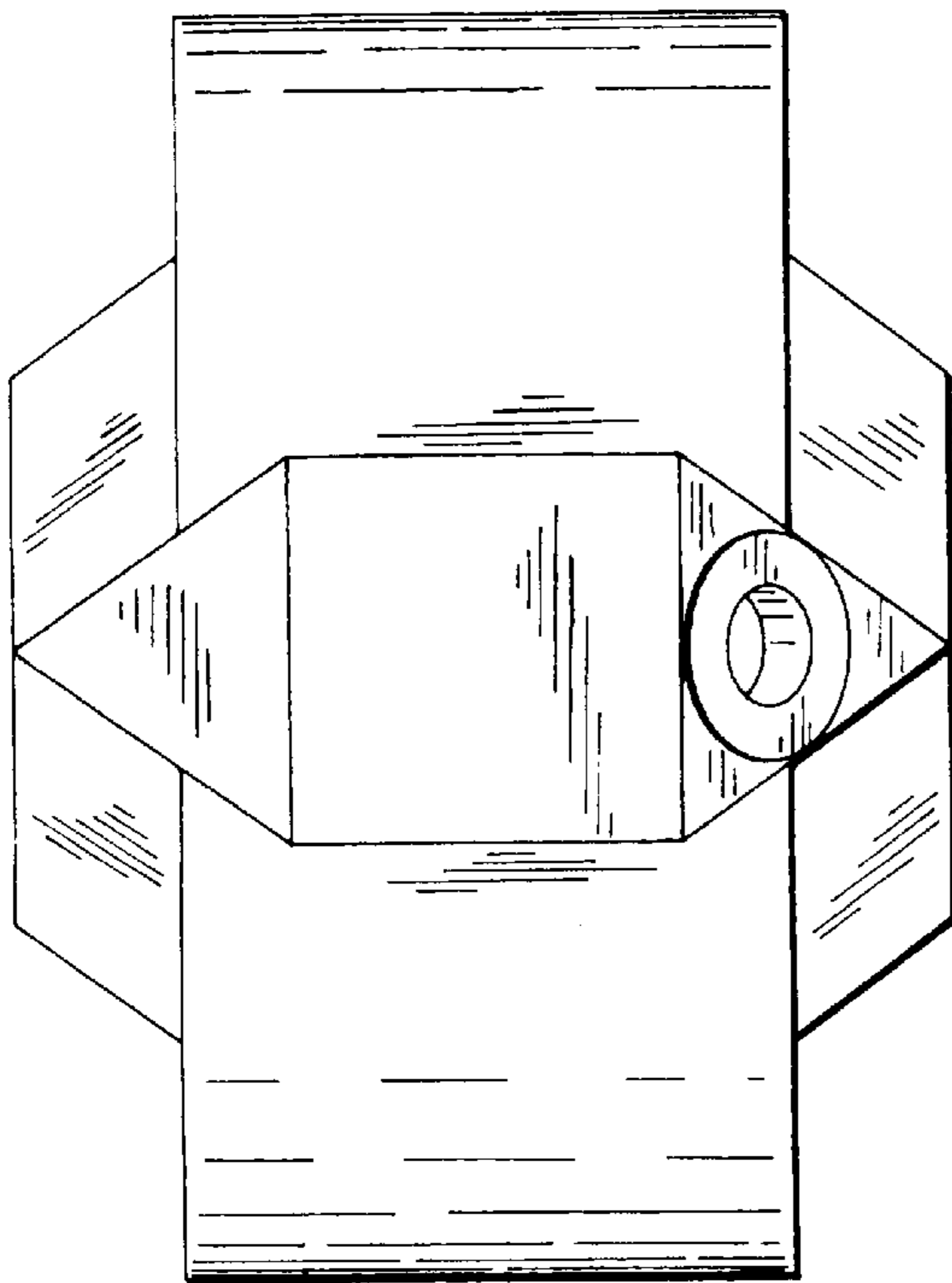
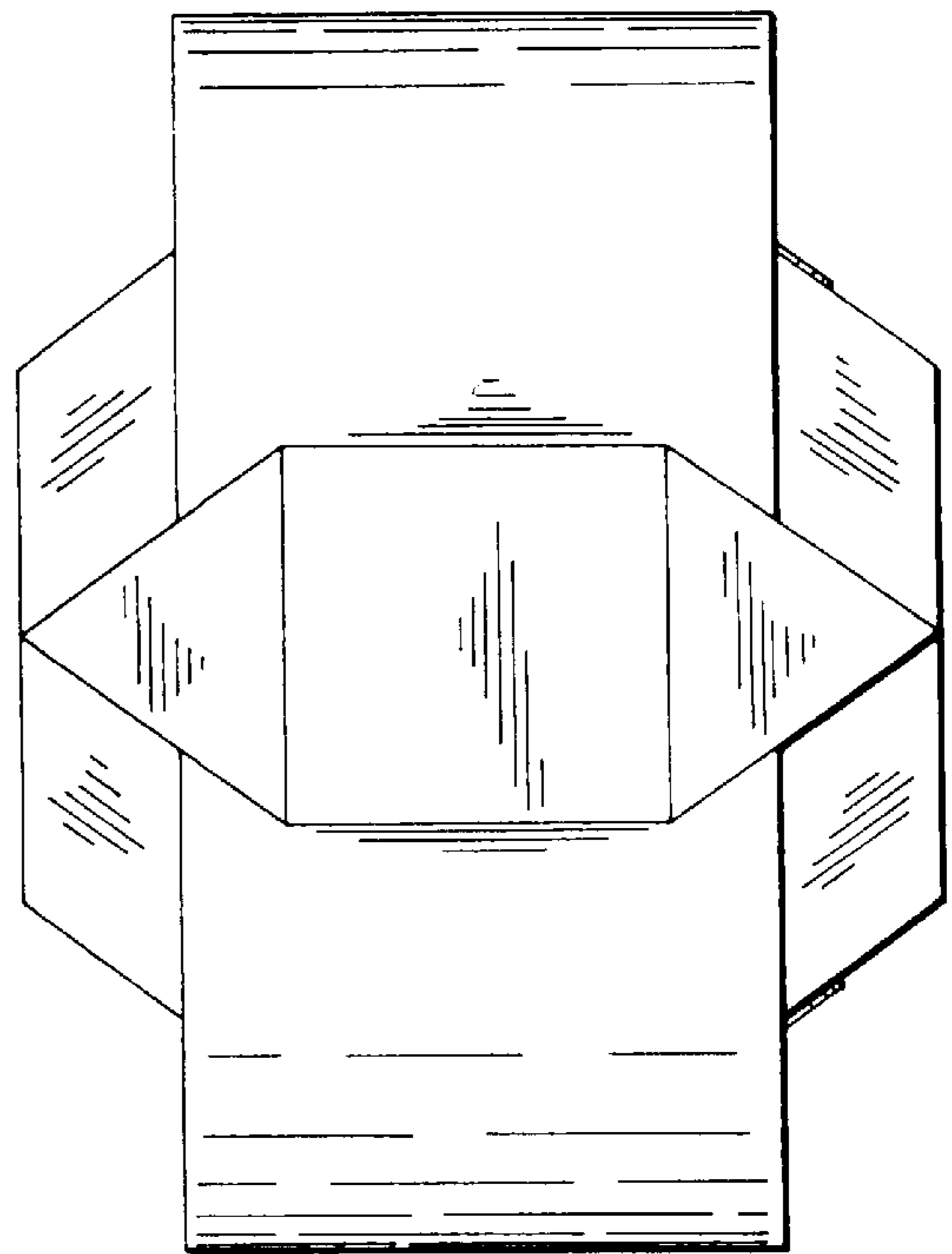


FIG. 5



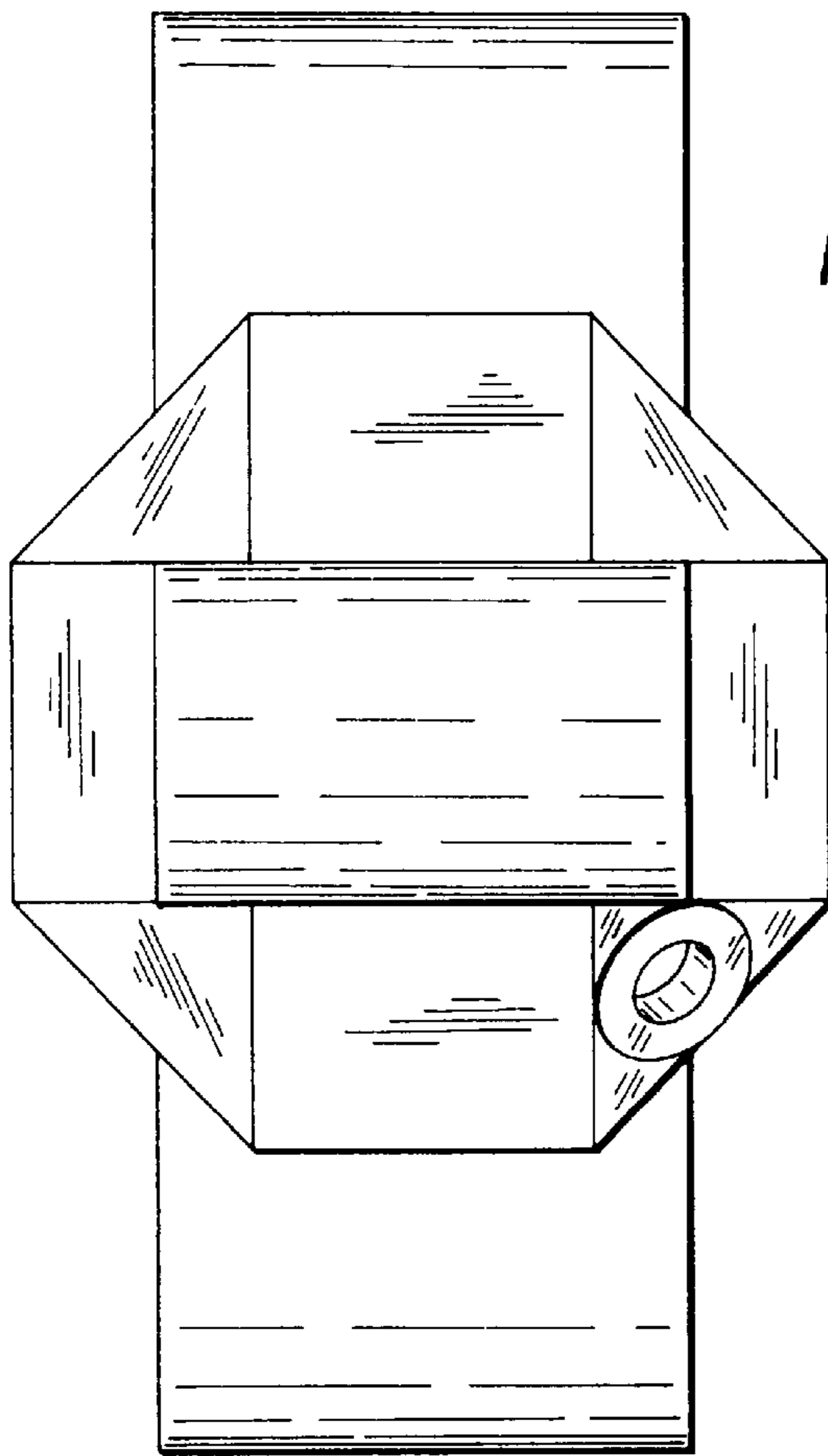


FIG. 6

FIG. 7

