



US00D403776S

**United States Patent** [19]  
**Brennan**

[11] **Patent Number:** **Des. 403,776**

[45] **Date of Patent:** **\*\*Jan. 5, 1999**

[54] **ANKLE BRACE**

[75] Inventor: **Frank Brennan**, Reading, Pa.

[73] Assignee: **X Wraps Designs L.L.C.**, Reading, Pa.

[\*\*] Term: **14 Years**

[21] Appl. No.: **81,901**

[22] Filed: **Jan. 10, 1998**

[51] **LOC (6) Cl.** ..... **24-04**

[52] **U.S. Cl.** ..... **D24/192**

[58] **Field of Search** ..... D24/189-192;  
607/111; D29/100; 602/5, 23, 26, 27, 65

[56] **References Cited**

**U.S. PATENT DOCUMENTS**

D. 338,066	8/1993	Baron	.....	D24/192
4,729,370	3/1988	Kalassy	.....	602/65
4,938,222	7/1990	Bier et al.	.....	607/111
5,330,419	7/1994	Toronto et al.	.....	602/27

*Primary Examiner*—Louis S. Zarfes

*Assistant Examiner*—G. Andoll

*Attorney, Agent, or Firm*—Horst M. Kasper

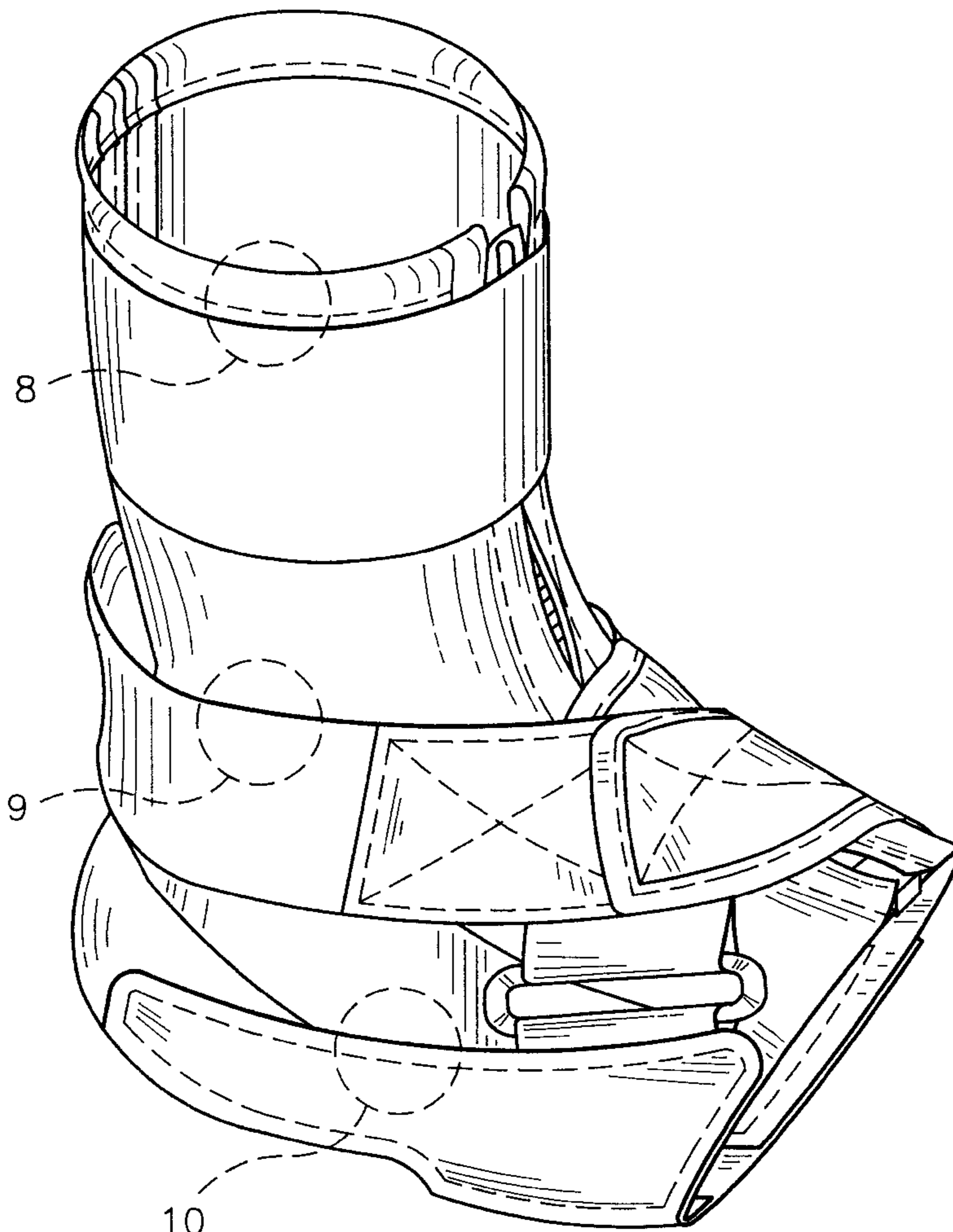
[57] **CLAIM**

The ornamental design for an ankle brace, as shown and described.

**DESCRIPTION**

FIG. 1 is a perspective elevational view of an ankle brace showing my new design;  
 FIG. 2 is a first side view thereof;  
 FIG. 3 is a second side view thereof;  
 FIG. 4 is a front view thereof;  
 FIG. 5 is a rear view thereof;  
 FIG. 6 is a bottom view thereof; and  
 FIG. 7 is a top view thereof;  
 FIG. 8 is an enlarged detail of part of the view of FIG. 1;  
 FIG. 9 is an enlarged detail of part of the view of FIG. 1;  
 FIG. 10 is an enlarged detail of part of the view of FIG. 1;  
 and,  
 FIG. 11 is an enlarged detail of part of the view of FIG. 4.  
 The broken lines in the drawings indicate stitching.

**1 Claim, 9 Drawing Sheets**



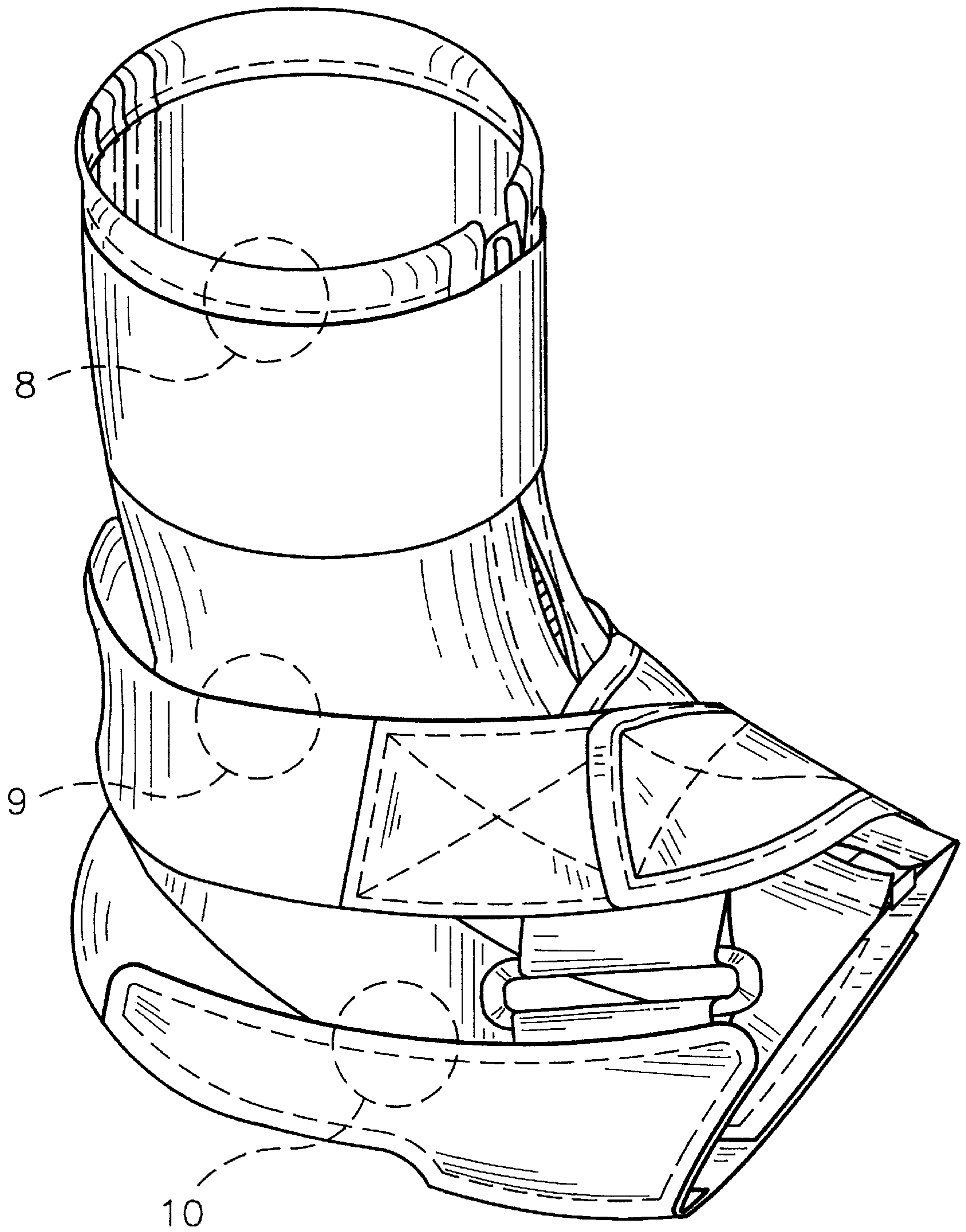


Fig. 1

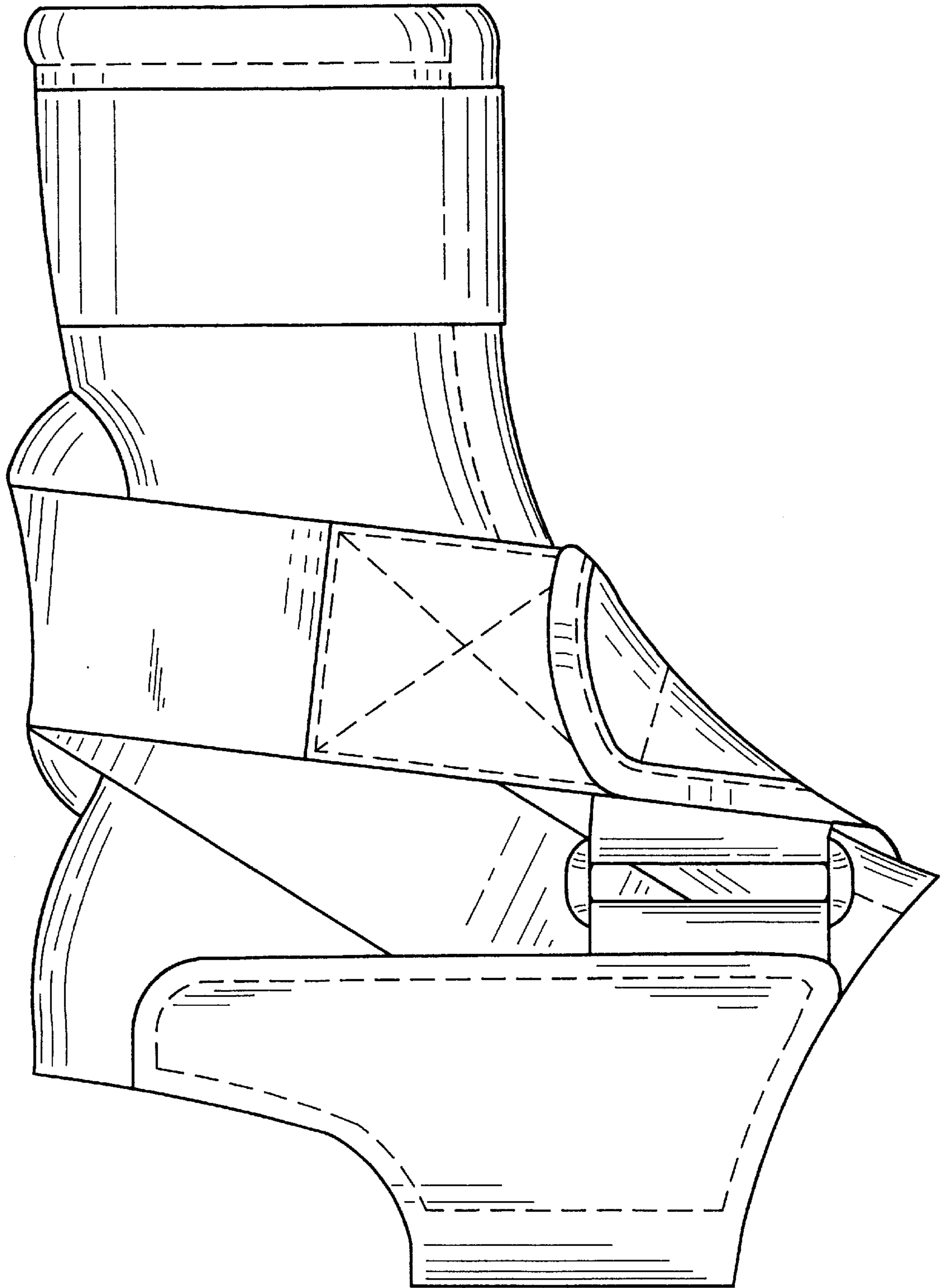


Fig.2

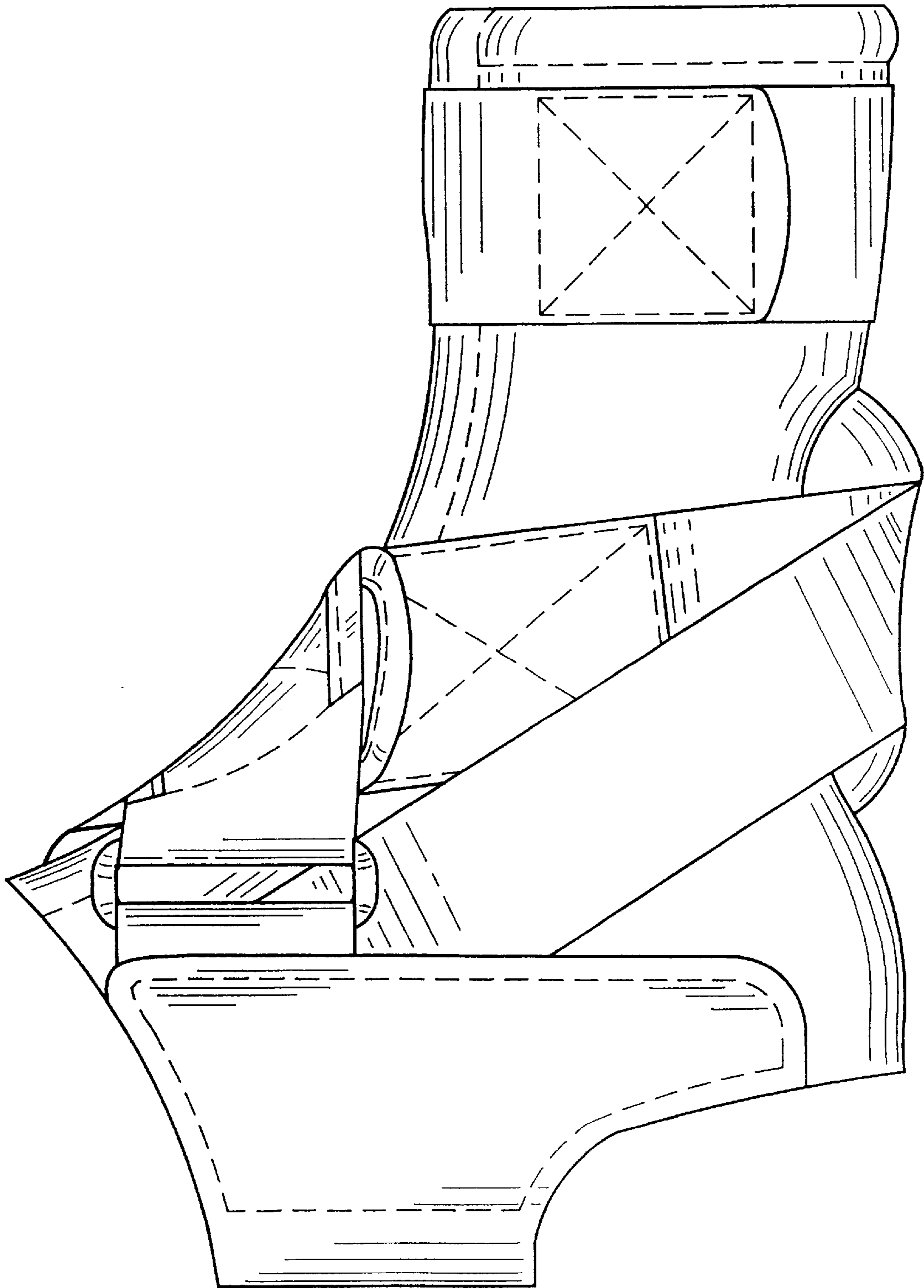


Fig.3

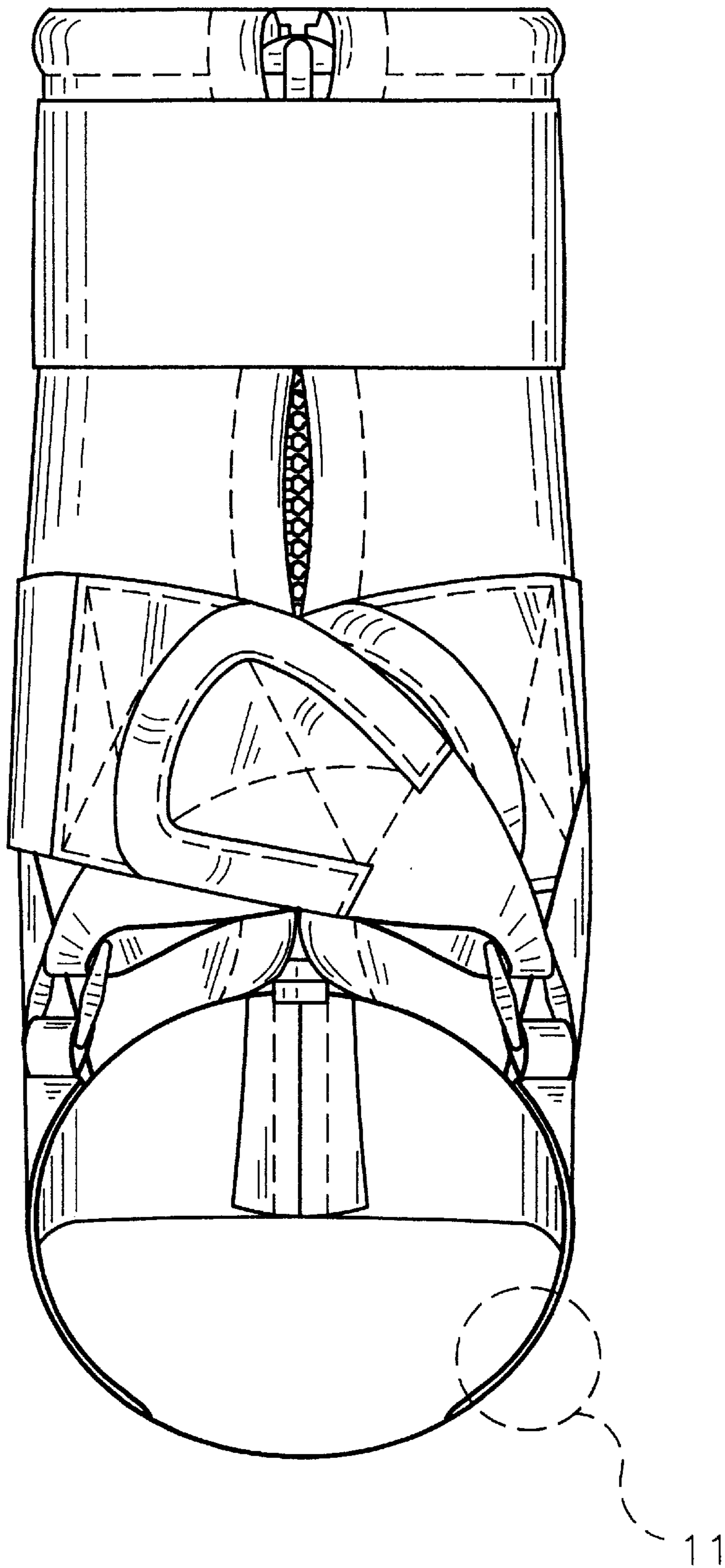


Fig. 4

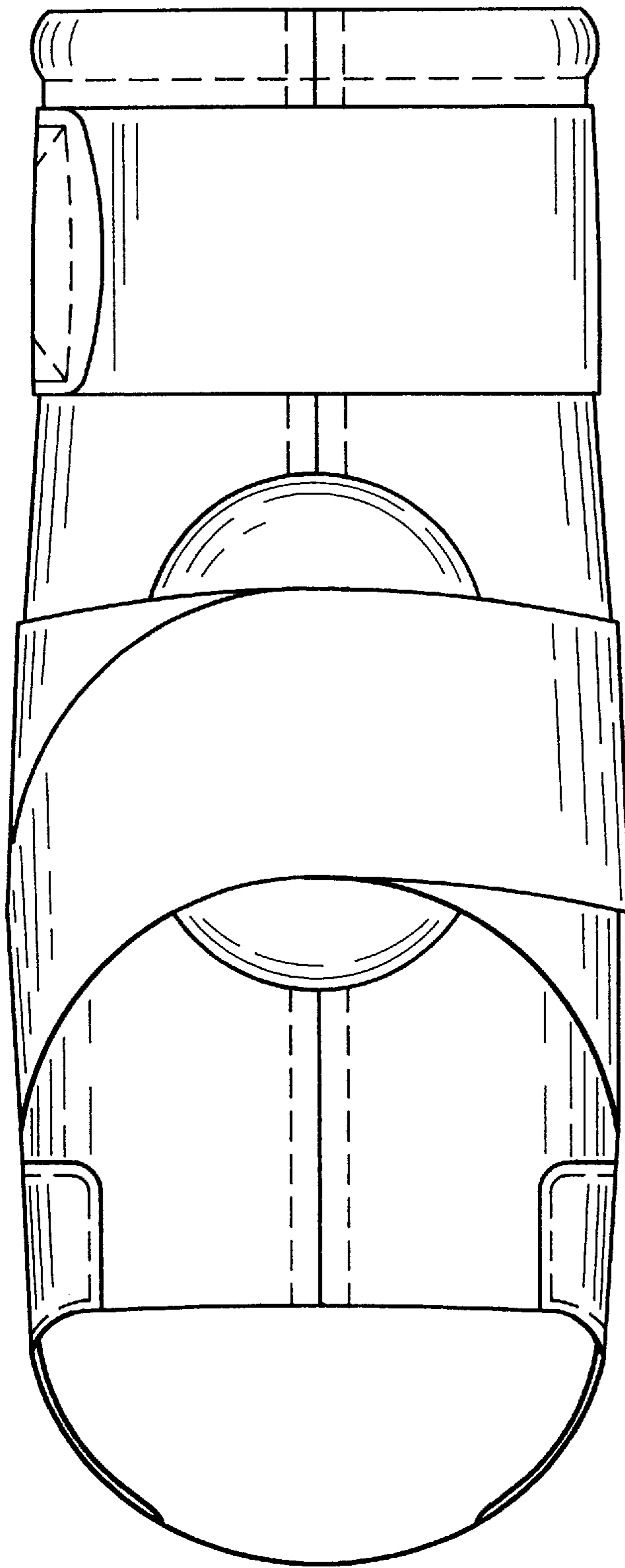


Fig.5

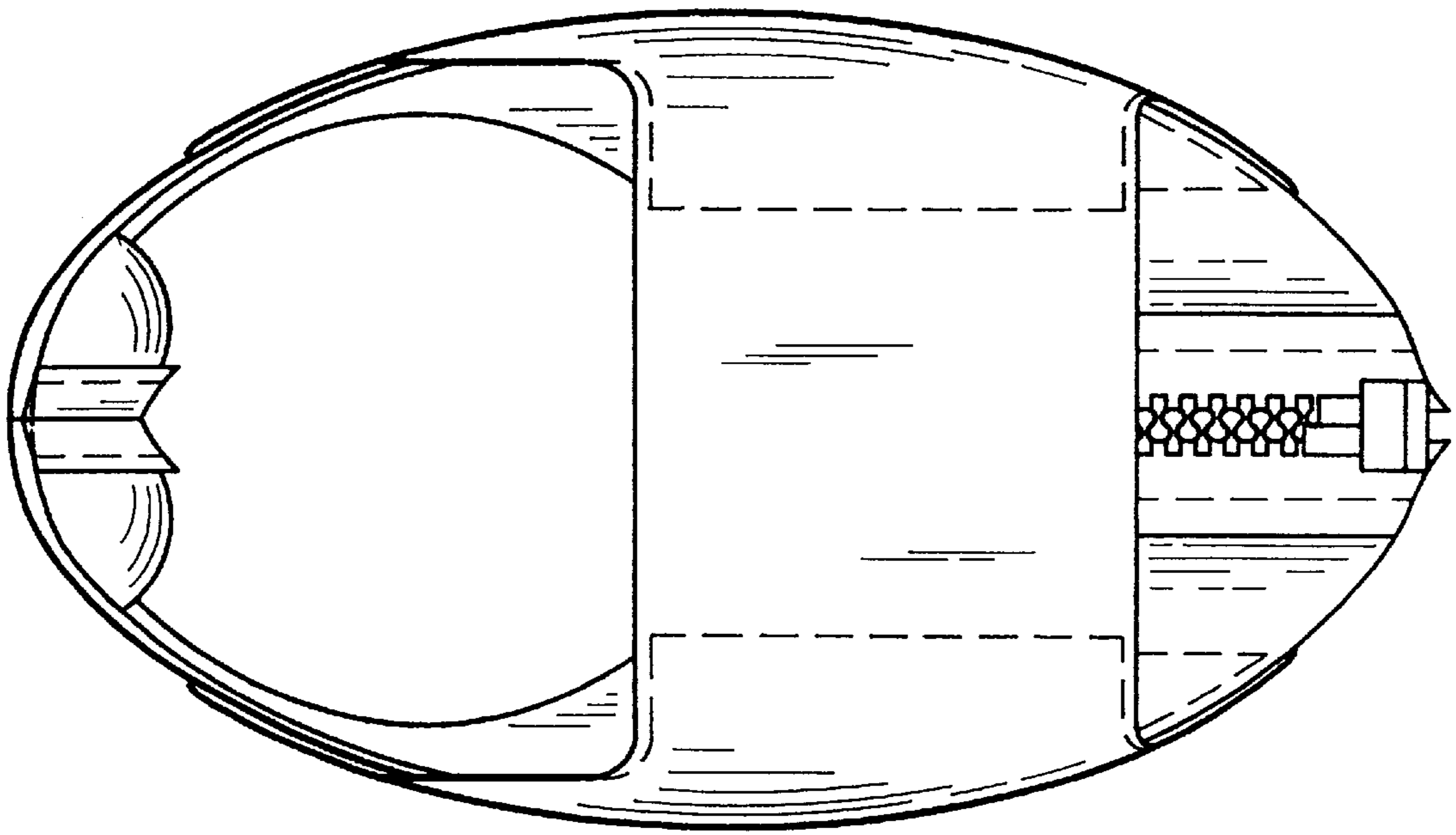


Fig.6

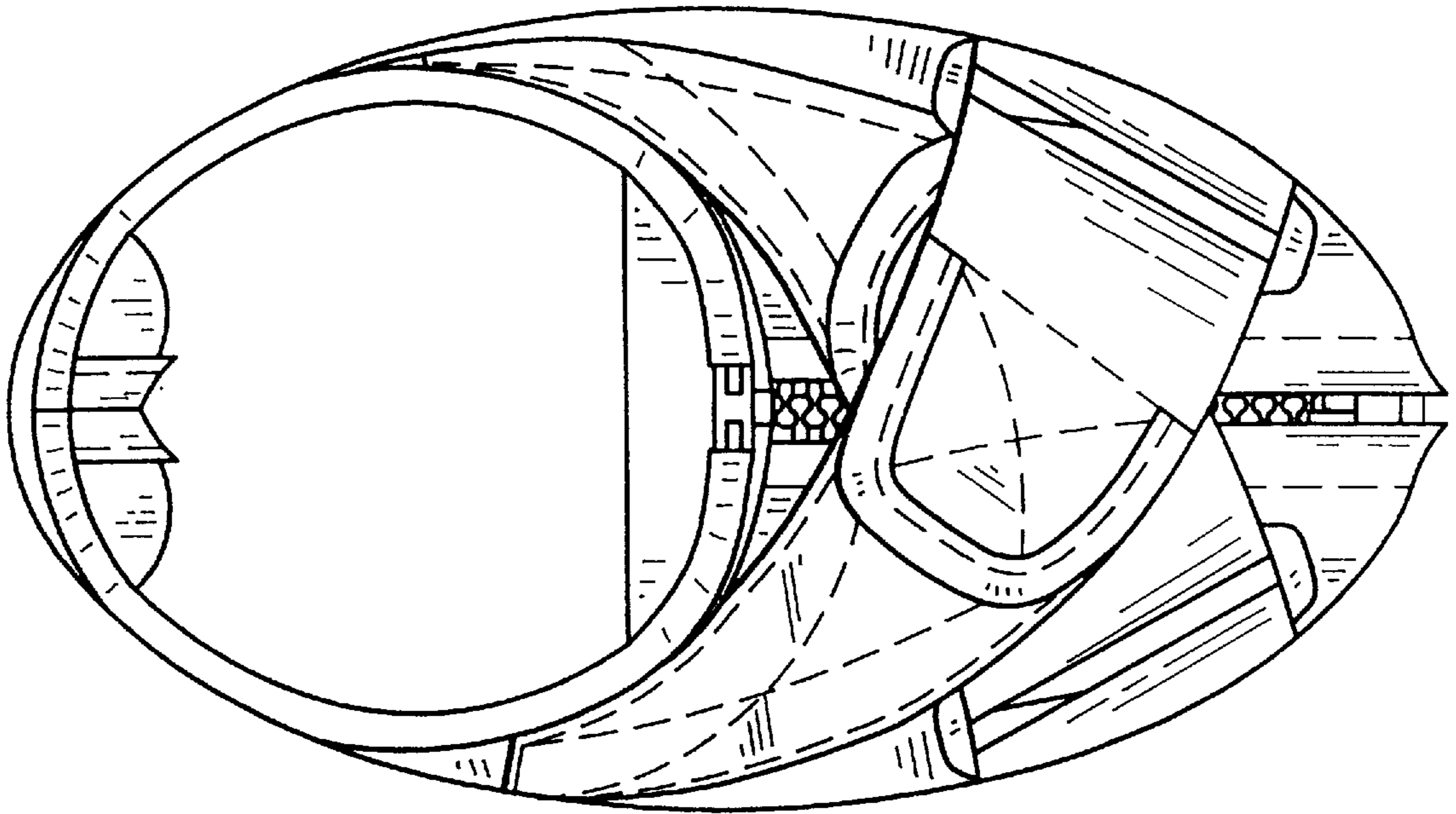


Fig.7



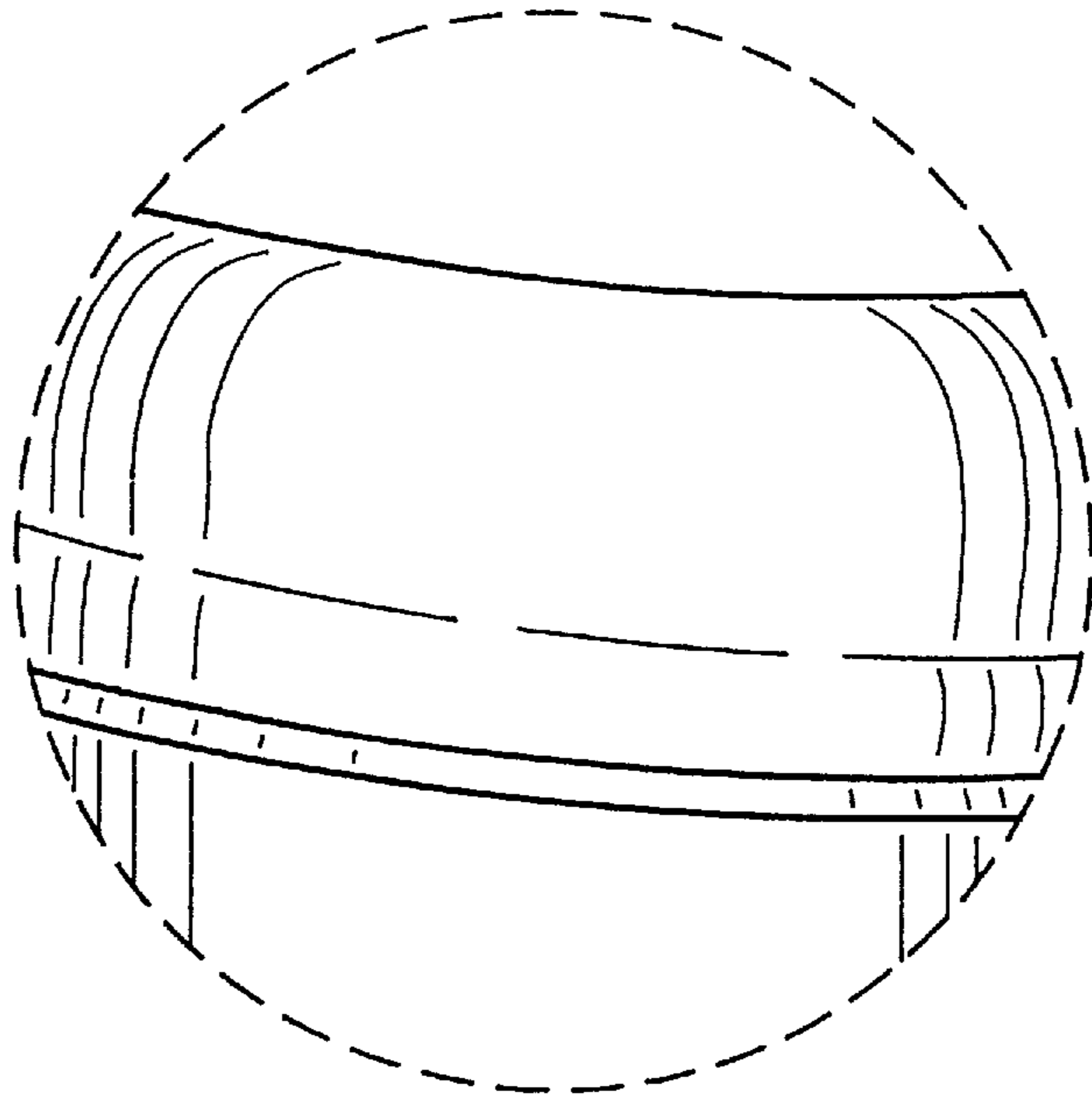


Fig.8

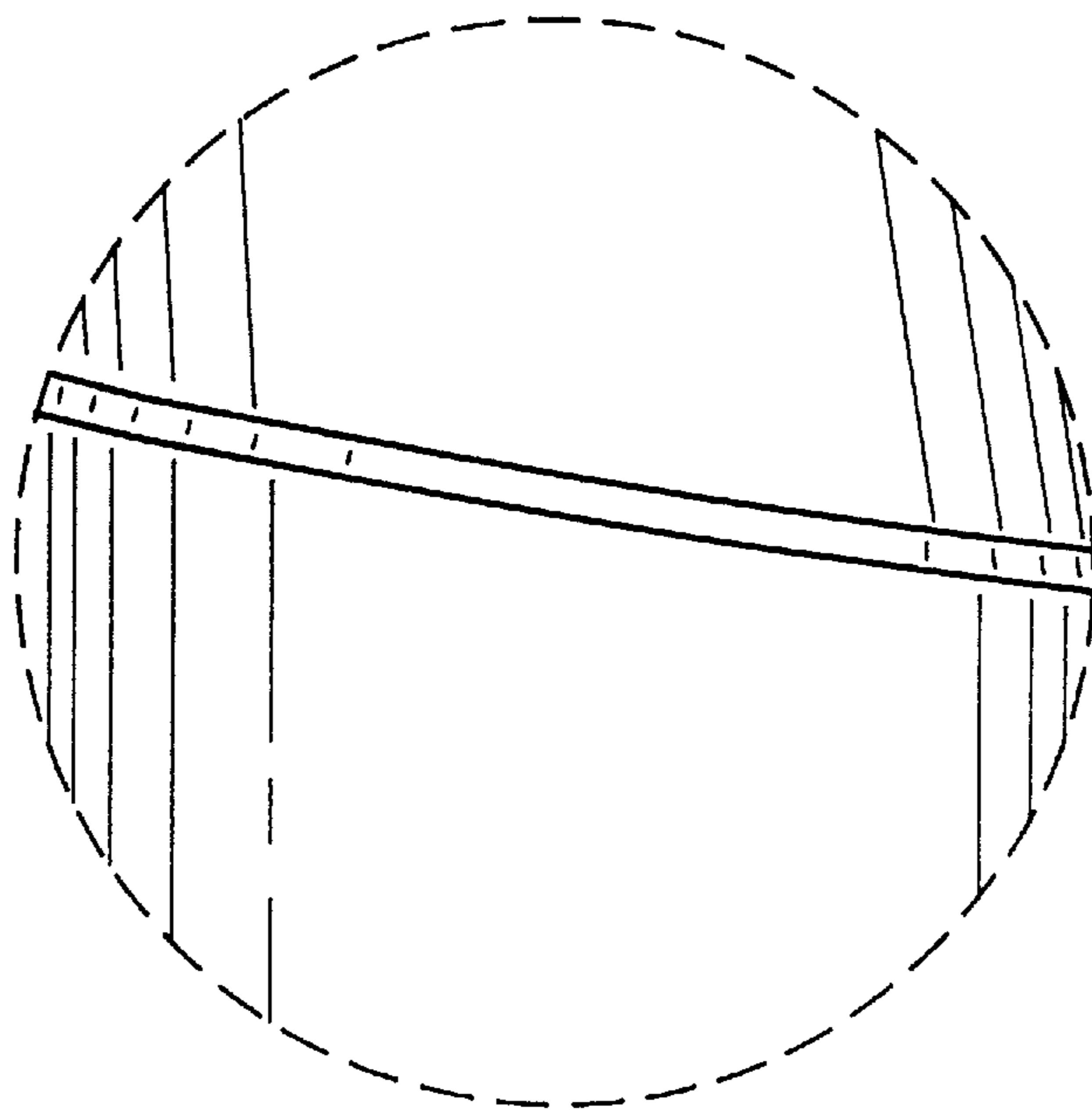


Fig.9

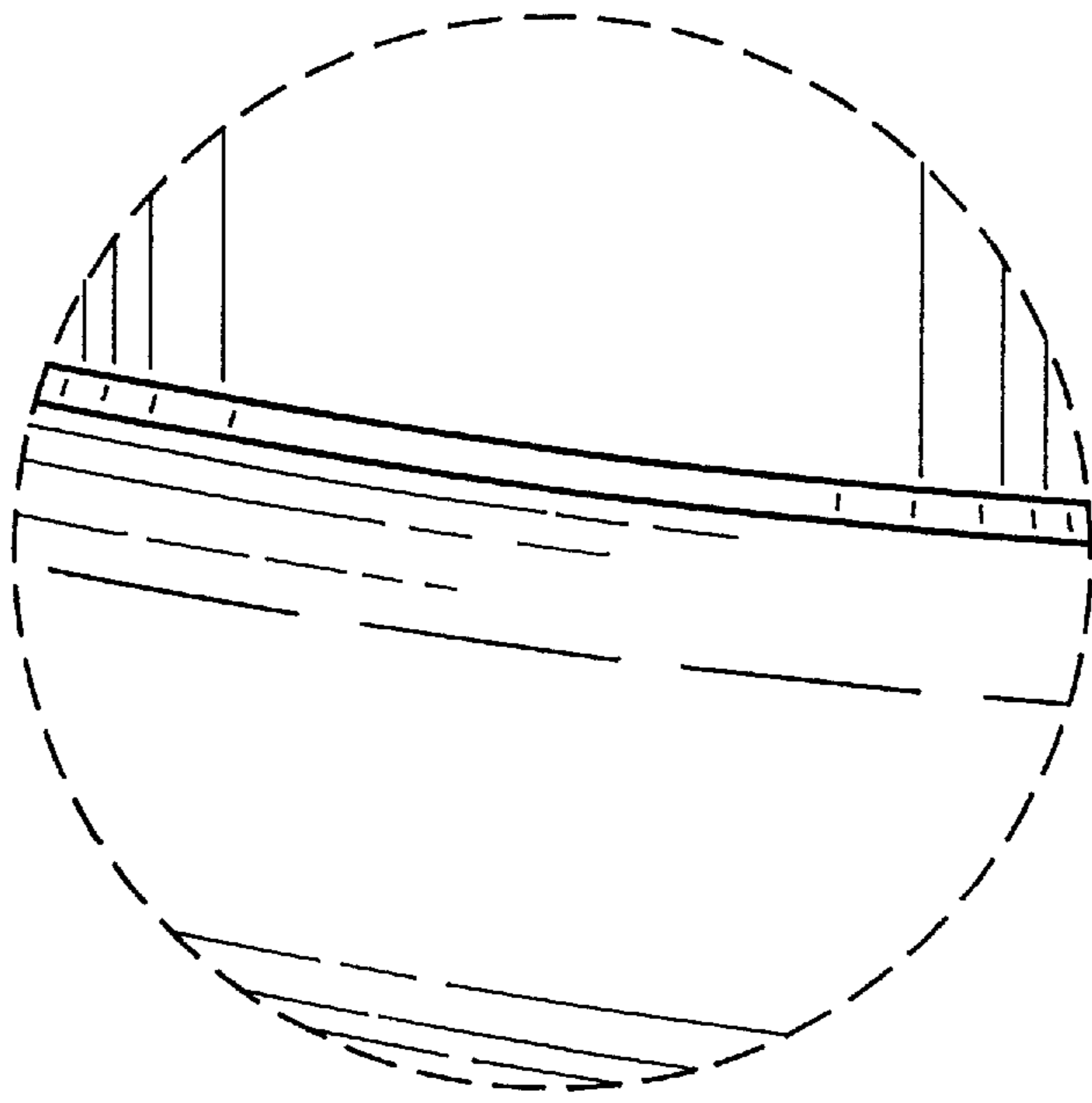


Fig. 10

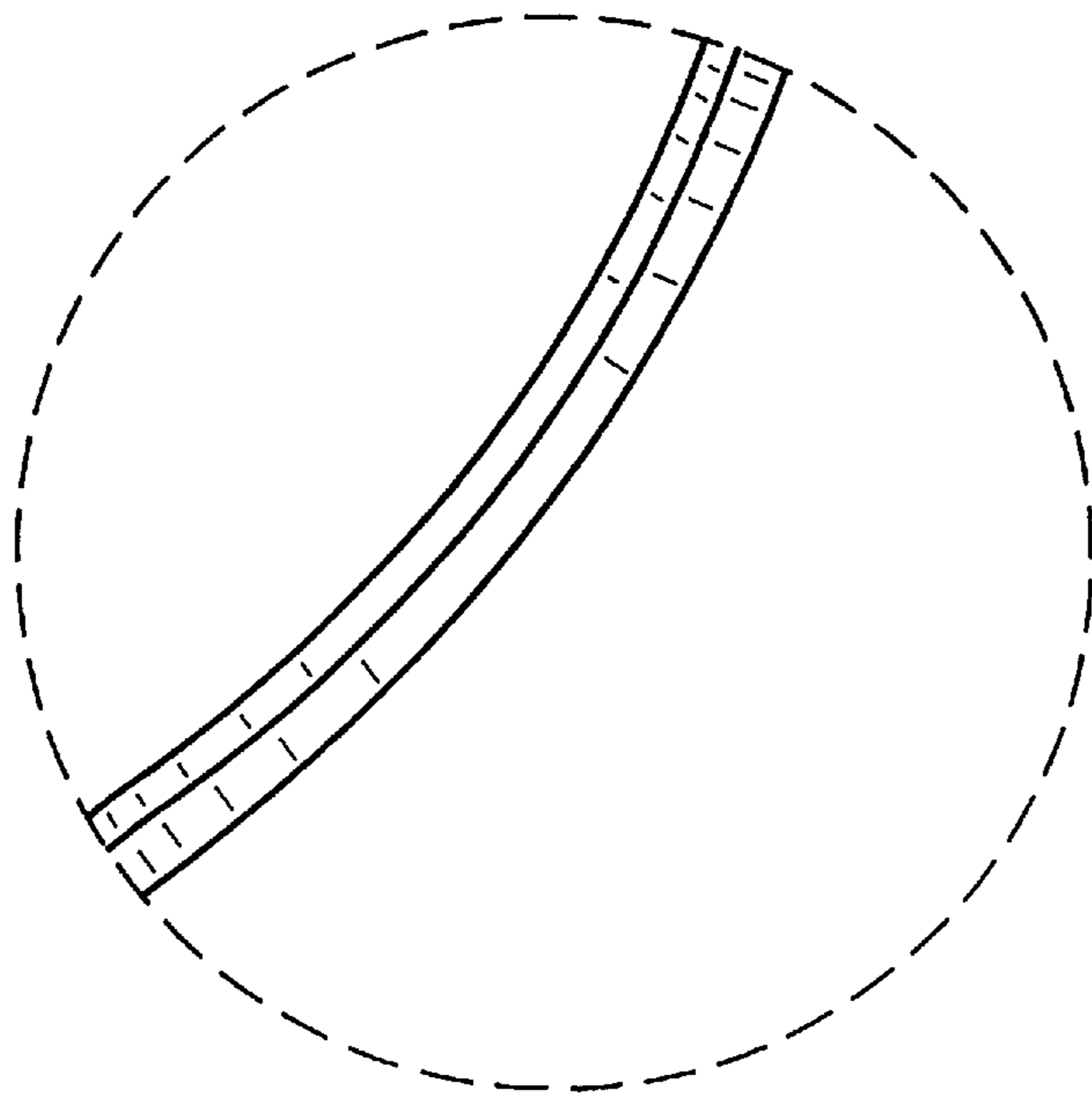


Fig. 11