



US00D403769S

# United States Patent [19]

[11] **Patent Number: Des. 403,769**

Weinstein et al.

[45] **Date of Patent: \*\*Jan. 5, 1999**

## [54] RESPIRATORY THERAPY DEVICE

*Primary Examiner*—Stella Reid  
*Attorney, Agent, or Firm*—August E. Roehrig, Jr.; Hancock & Estabrook, LLP

[75] Inventors: **Lawrence A. Weinstein**, Oneida;  
**Fredrick M. Richards**, Clinton, both of  
N.Y.; **Edward L. Flick**, Denver;  
**Jeffrey A. Gettle**, Westminster, both of  
Colo.

## [57] CLAIM

The ornamental design for a respiratory therapy device, as shown and described.

[73] Assignee: **Diemolding Corporation**, Canastota,  
N.Y.

## DESCRIPTION

[\*\*] Term: **14 Years**

FIG. 1 is a front perspective view of a respiratory therapy device;

[21] Appl. No.: **68,146**

FIG. 2 is a front elevational view thereof;

[22] Filed: **Mar. 17, 1997**

FIG. 3 is a rear elevational view of the respiratory therapy device;

[51] **LOC (6) Cl.** ..... **24-01**

[52] **U.S. Cl.** ..... **D24/164**

[58] **Field of Search** ..... D24/164; 600/538,  
600/539, 540, 541

FIG. 4 is a top plan view of the respiratory therapy device;

FIG. 5 is a bottom plan view thereof;

## [56] References Cited

### U.S. PATENT DOCUMENTS

D. 319,880	9/1991	Tapolcai	.....	D24/164
D. 325,634	4/1992	Sweeney, Jr.	.....	D24/164
D. 339,635	9/1993	Waterson et al.	.....	D24/164
4,114,608	9/1978	Russo	.....	600/538
4,425,923	1/1984	Gordon et al.	.....	600/540

FIG. 6 is a left side elevational view of the respiratory therapy device;

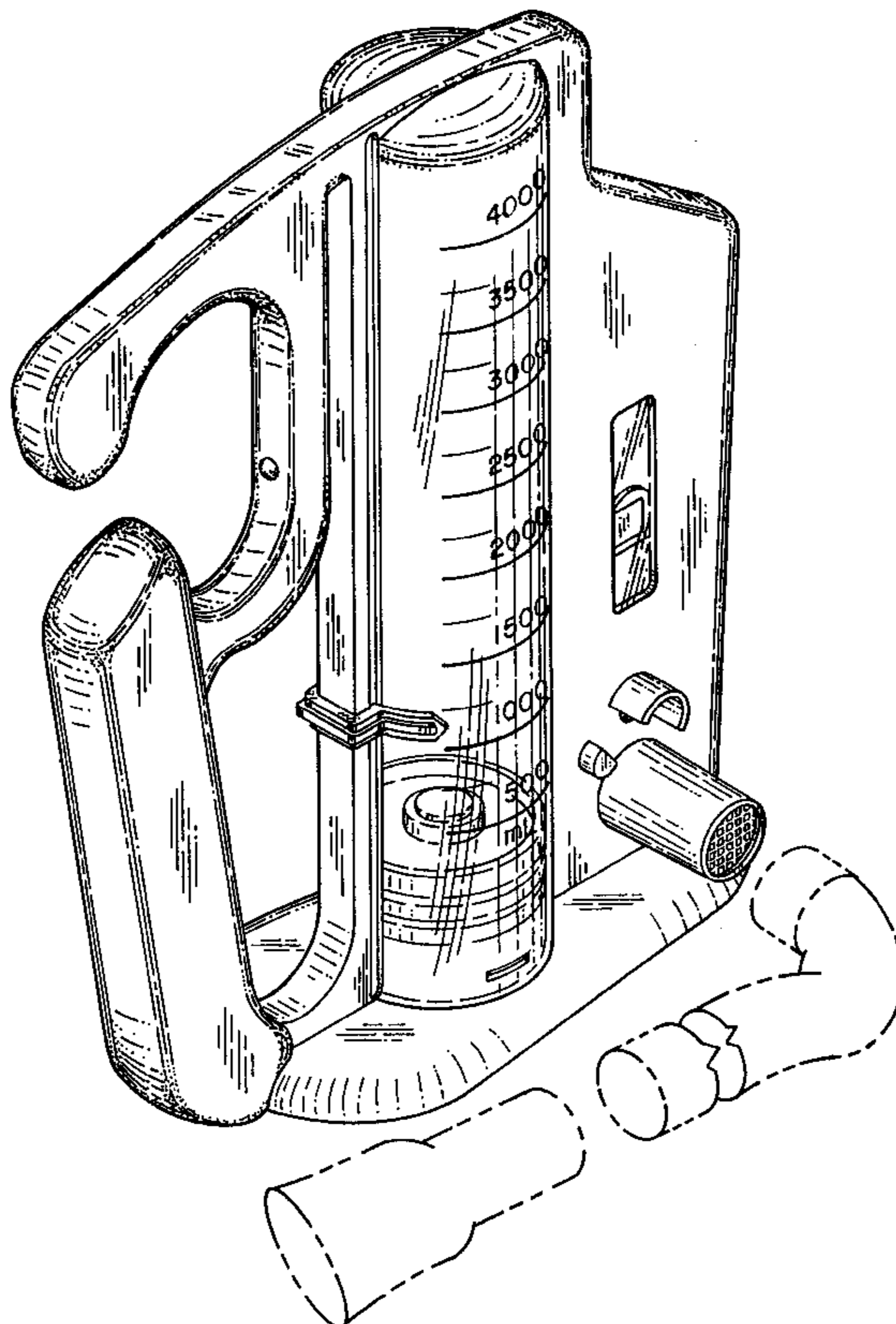
FIG. 7 is a right side elevational view of the respiratory therapy device; and,

FIG. 8 is another front perspective view of the respiratory therapy device, with an attachable breathing tube being shown in broken lines for illustrative purposes only and forming no part of the claimed design.

### OTHER PUBLICATIONS

DHD Diemolding Healthcare Division advertisement "The DHD Coach 4000" volumetric incentive spirometer; Copyright 1993.

**1 Claim, 6 Drawing Sheets**



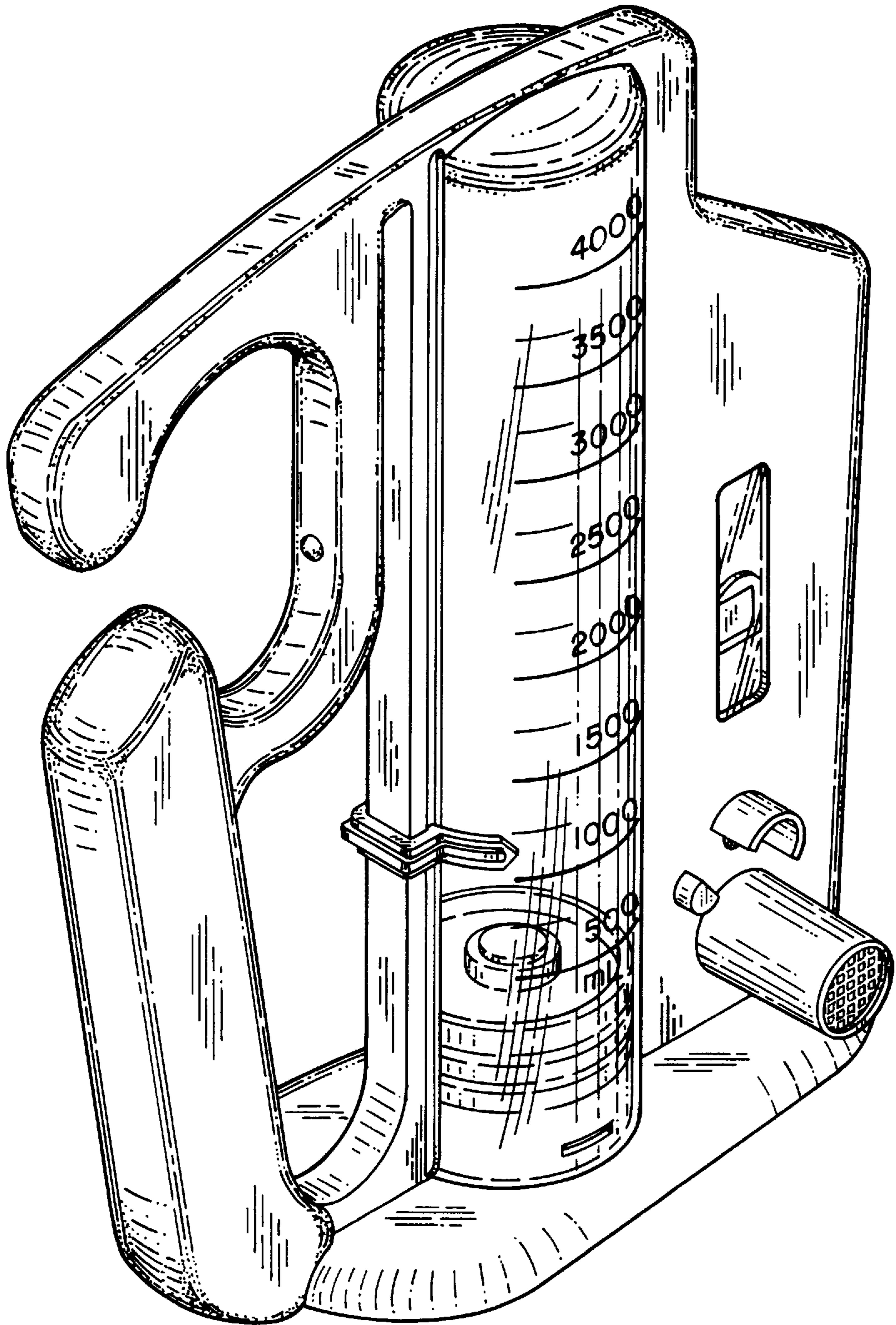


FIG. 1

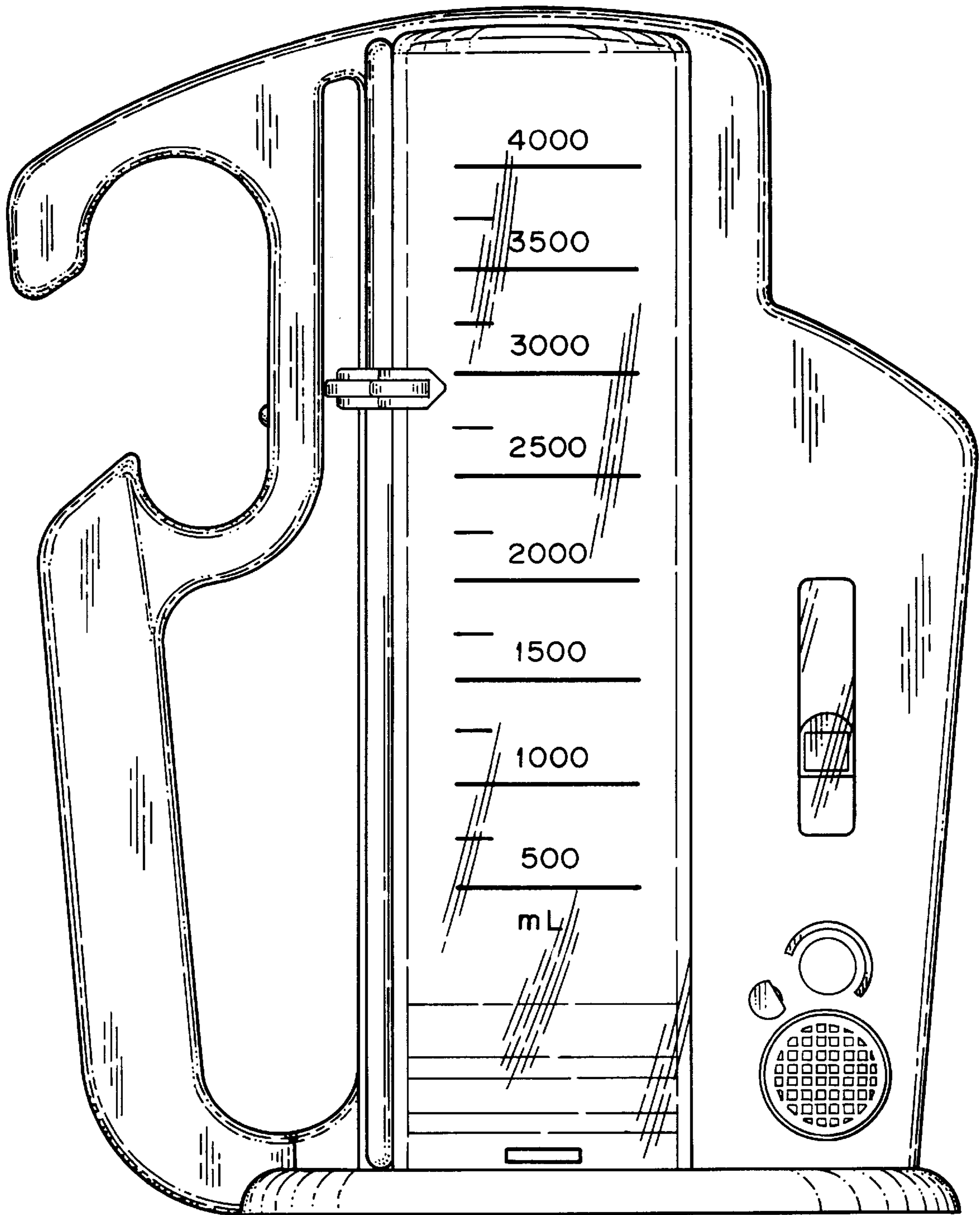


FIG. 2

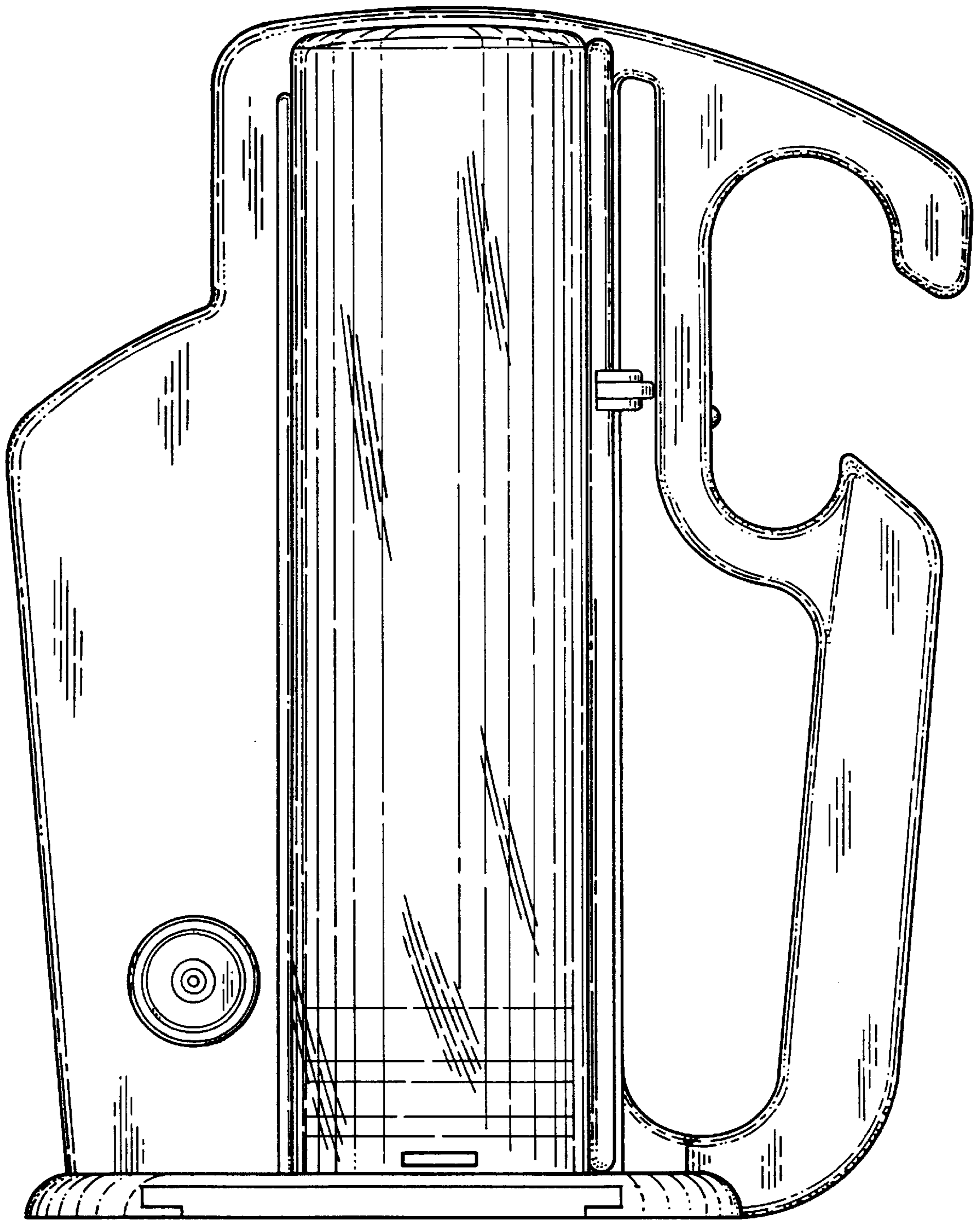


FIG. 3

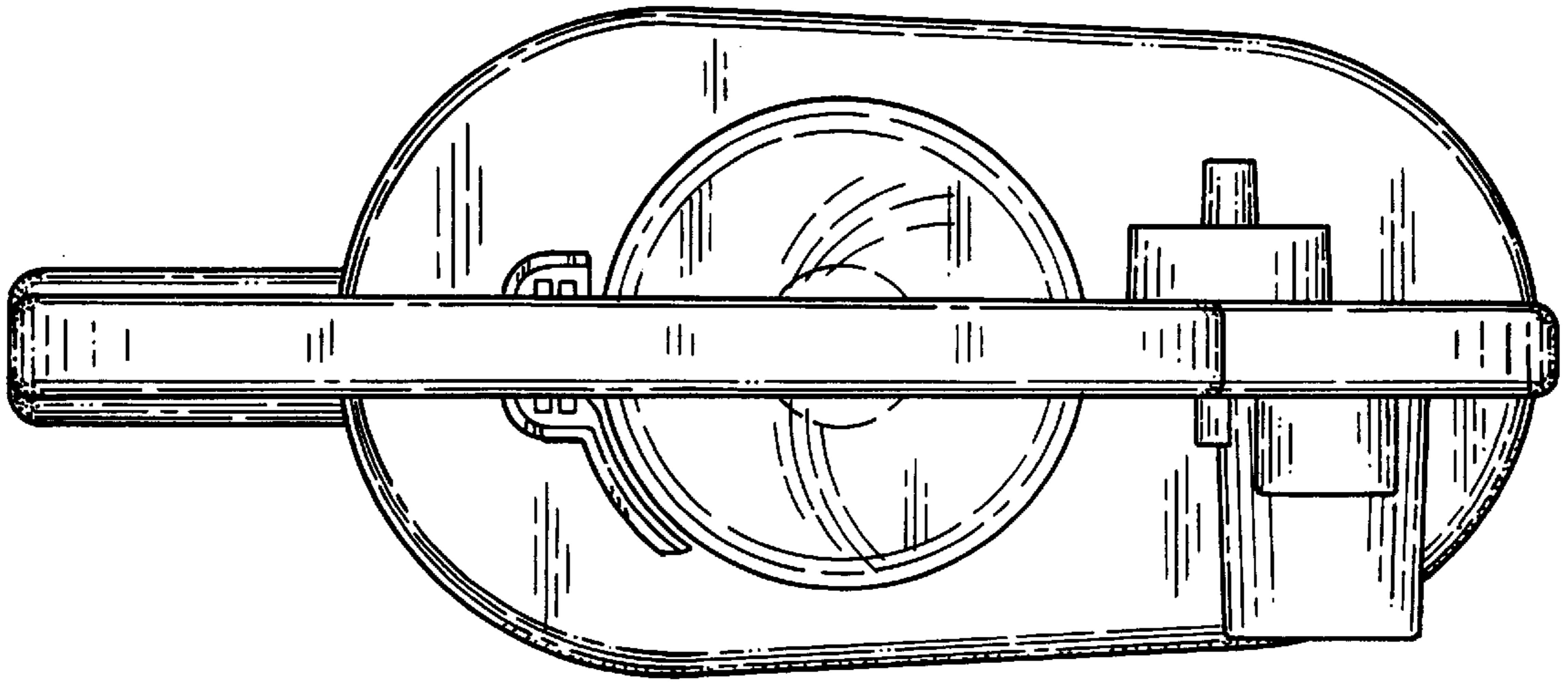


FIG. 4

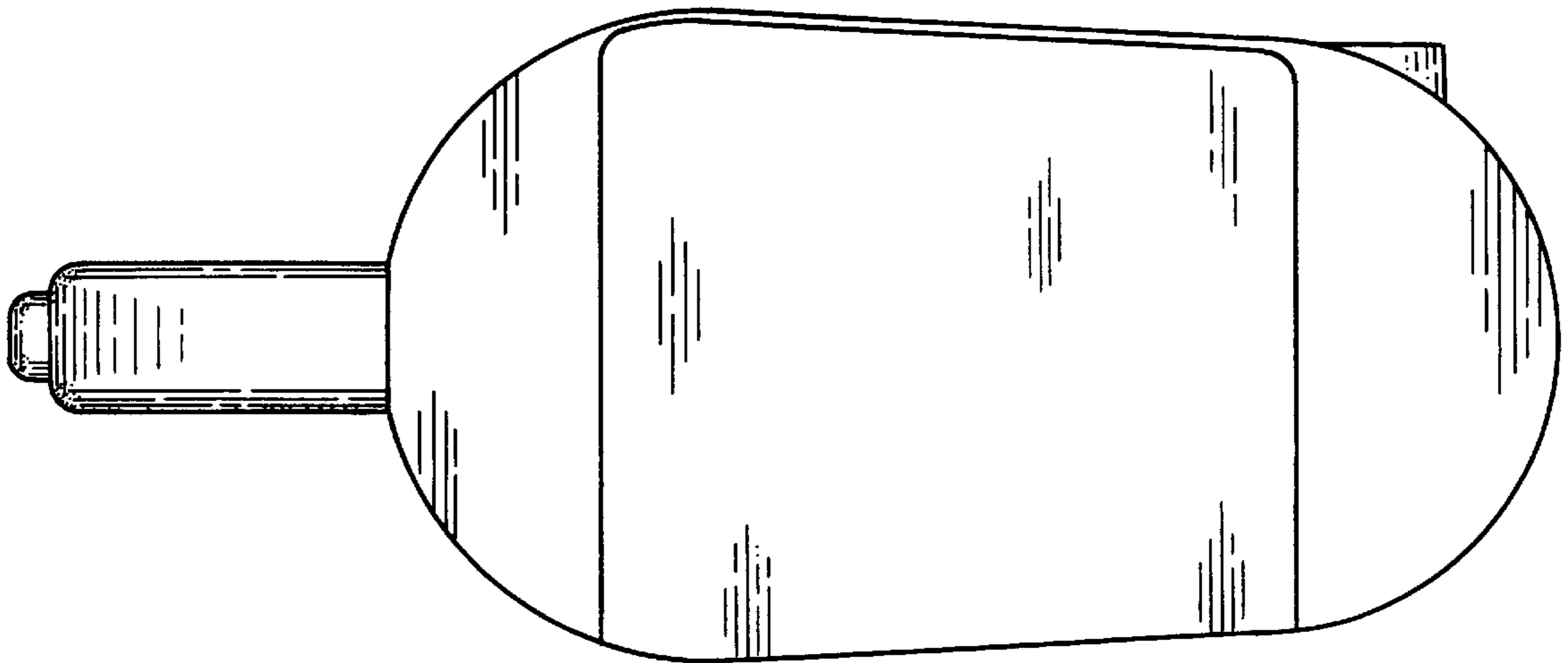


FIG. 5

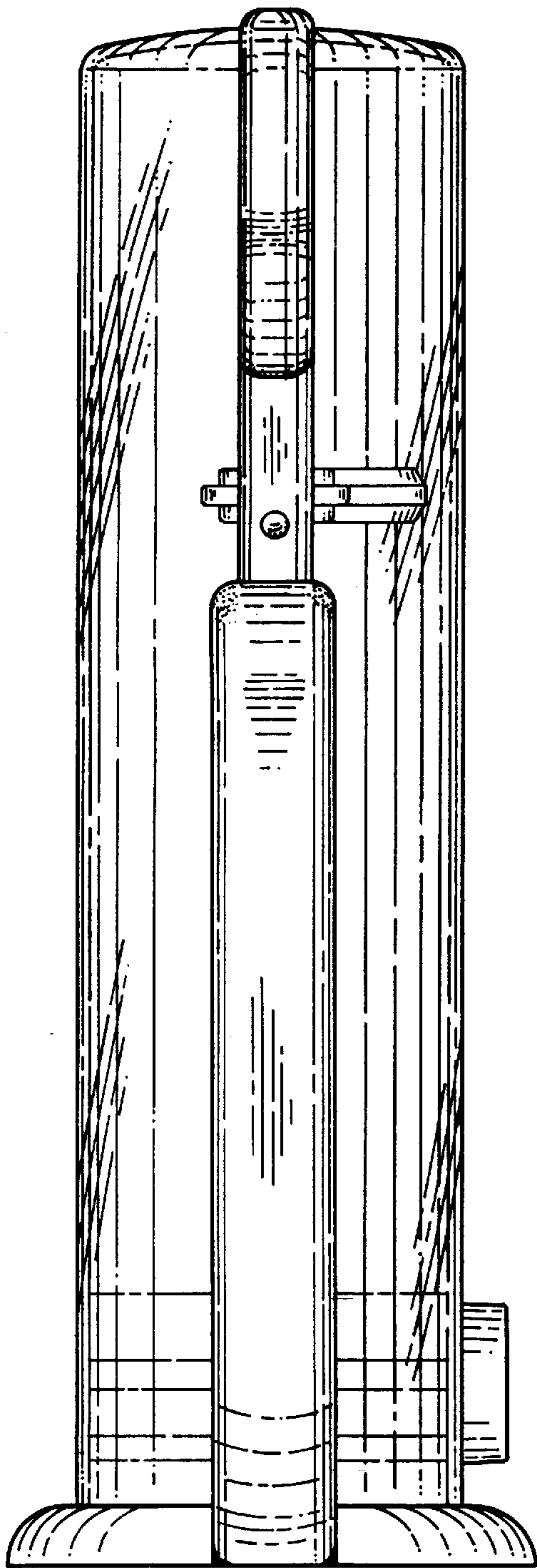


FIG. 6

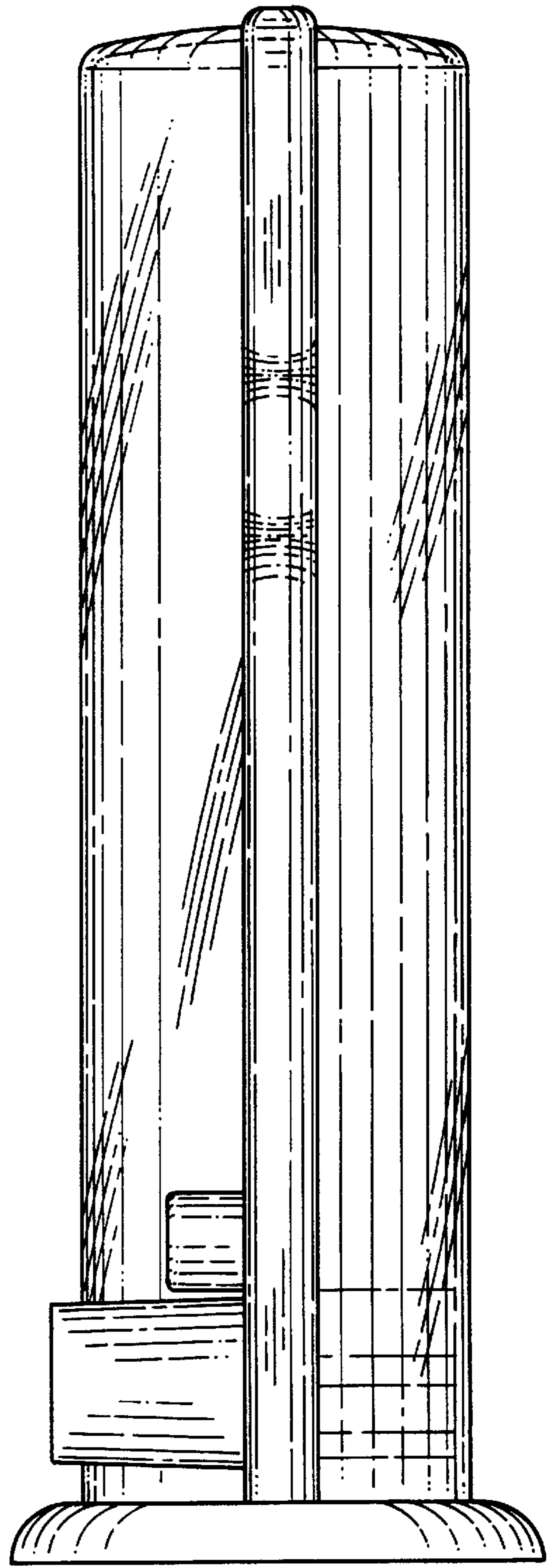


FIG. 7

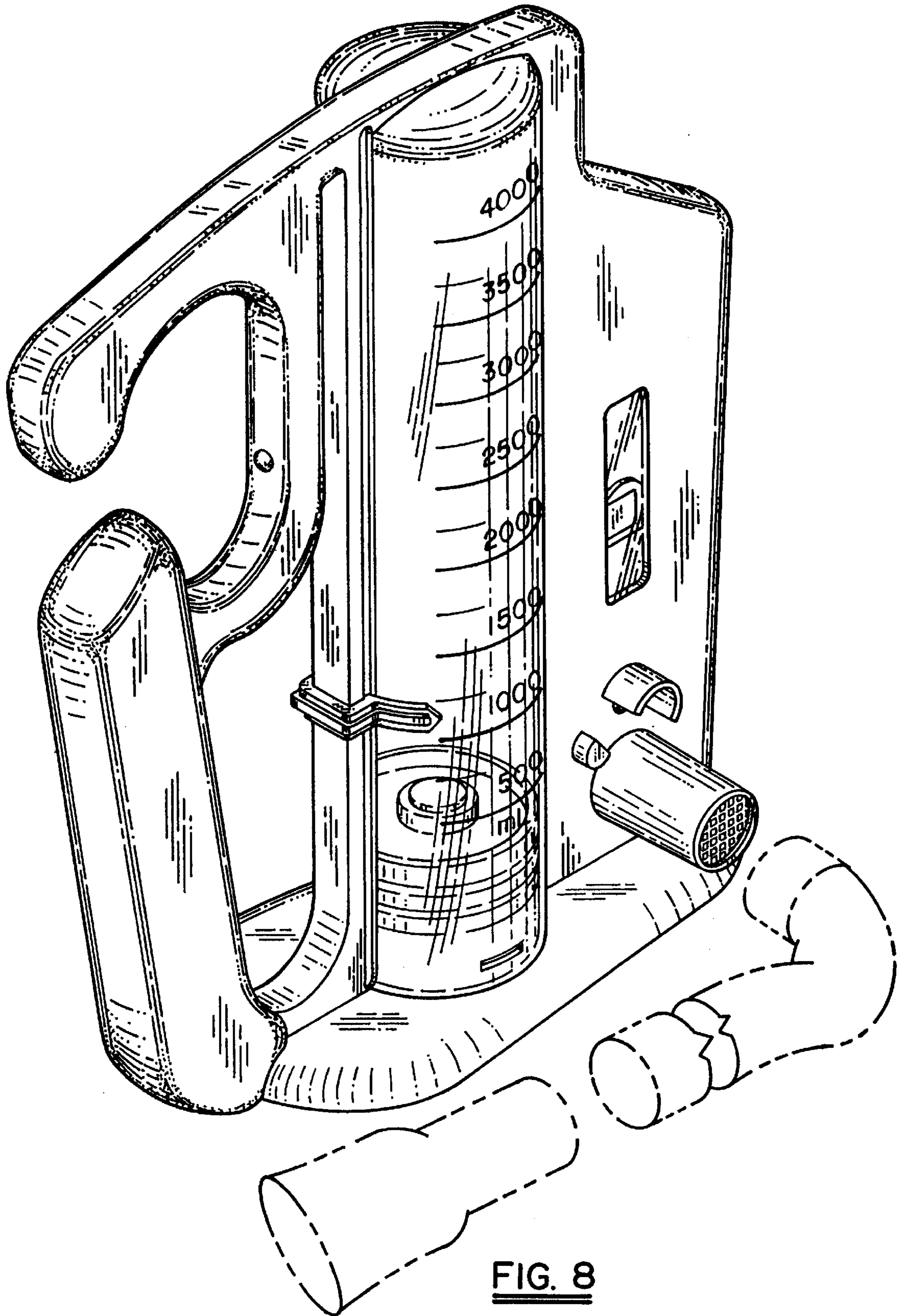


FIG. 8