



US00D403767S

United States Patent [19] Croley

[11] **Patent Number: Des. 403,767**

[45] **Date of Patent: **Jan. 5, 1999**

[54] **IN-LINE HANDLE FOR A SURGICAL INSTRUMENT**

5,366,476 11/1994 Noda 606/48 X
5,389,098 2/1995 Tsuruta et al. 606/49 X

[75] Inventor: **Curt D. Croley**, Cincinnati, Ohio

Primary Examiner—Pamela Burgess
Attorney, Agent, or Firm—Bernard Shay

[73] Assignee: **Ethicon Endo-Surgery, Inc.**,
Cincinnati, Ohio

[57] **CLAIM**

[**] Term: **14 Years**

The ornamental design for an in-line handle for a surgical instrument, as shown and described.

[21] Appl. No.: **77,700**

DESCRIPTION

[22] Filed: **Oct. 9, 1997**

FIG. 1 is an isometric view of an in-line handle for a surgical instrument as seen from the rear top and left side;

[51] **LOC (6) Cl.** **24-02**

FIG. 2 is a left side elevation view thereof, of an in-line handle for a surgical instrument;

[52] **U.S. Cl.** **D24/133**

FIG. 3 is a top plan view of an in-line handle for a surgical instrument;

[58] **Field of Search** D24/144, 145,
D24/146, 170, 143, 147, 133; 606/45, 46,
30, 40, 37, 39, 48, 49, 41, 1, 205, 170,
171, 206, 174, 142, 207, 208, 148

FIG. 4 is a front elevation of an in-line handle for a surgical instrument;

FIG. 5 is a rear elevation view of an in-line handle for a surgical instrument;

[56] **References Cited**

U.S. PATENT DOCUMENTS

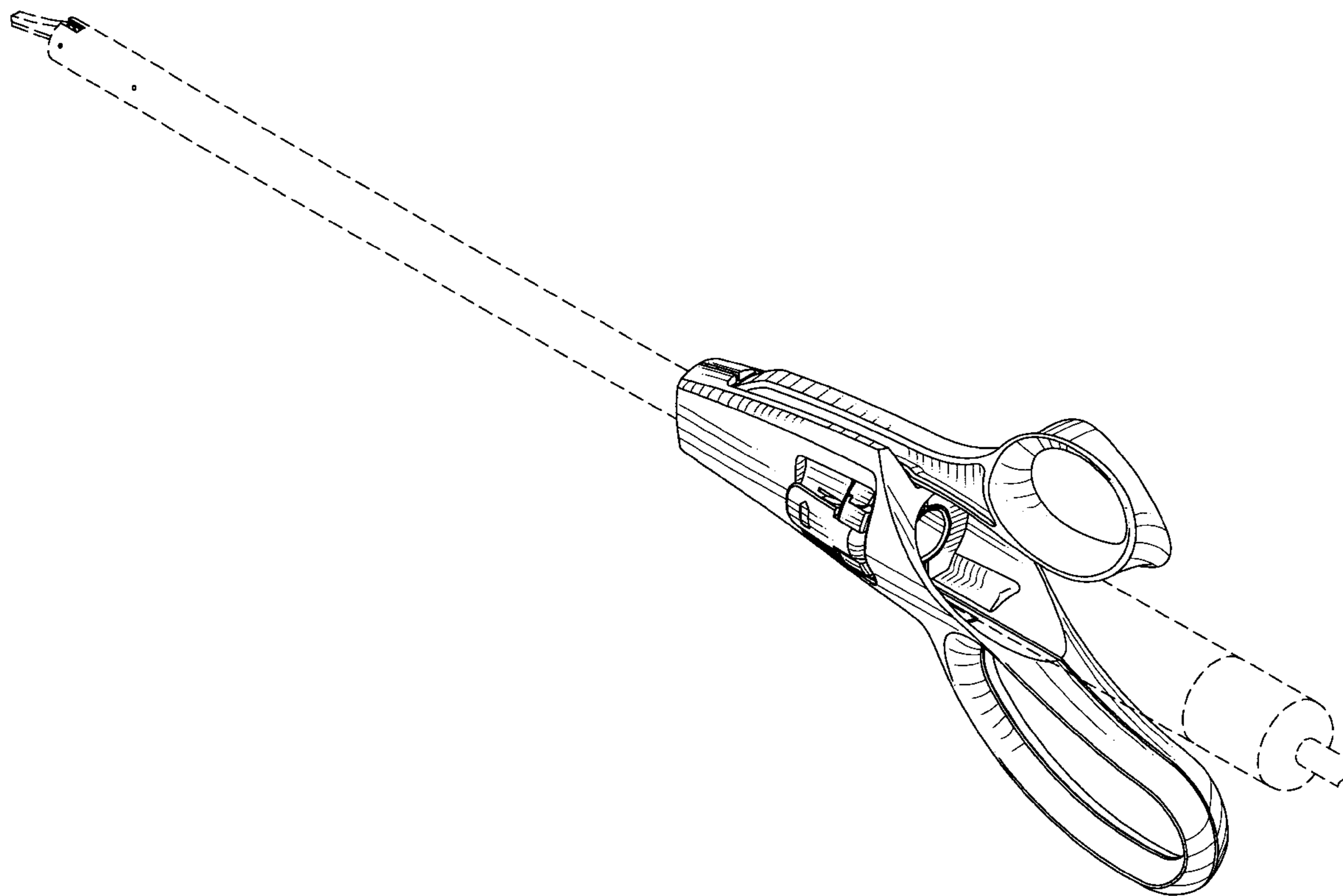
Re. 32,214	7/1986	Schramm	604/232
D. 358,887	5/1995	Feinberg	D24/144
D. 362,908	10/1995	Shutt et al.	D24/143
D. 378,611	3/1997	Croley	D24/144
4,519,385	5/1985	Atkinson et al.	604/902
5,269,782	12/1993	Sutter	606/50 X

FIG. 6 is a bottom view of an in-line handle for a surgical instrument; and,

FIG. 7 is a right side elevation view of an in-line handle for a surgical instrument.

The broken lines shown in the drawings are for illustrative purposes only and form no part of the claimed design.

1 Claim, 4 Drawing Sheets



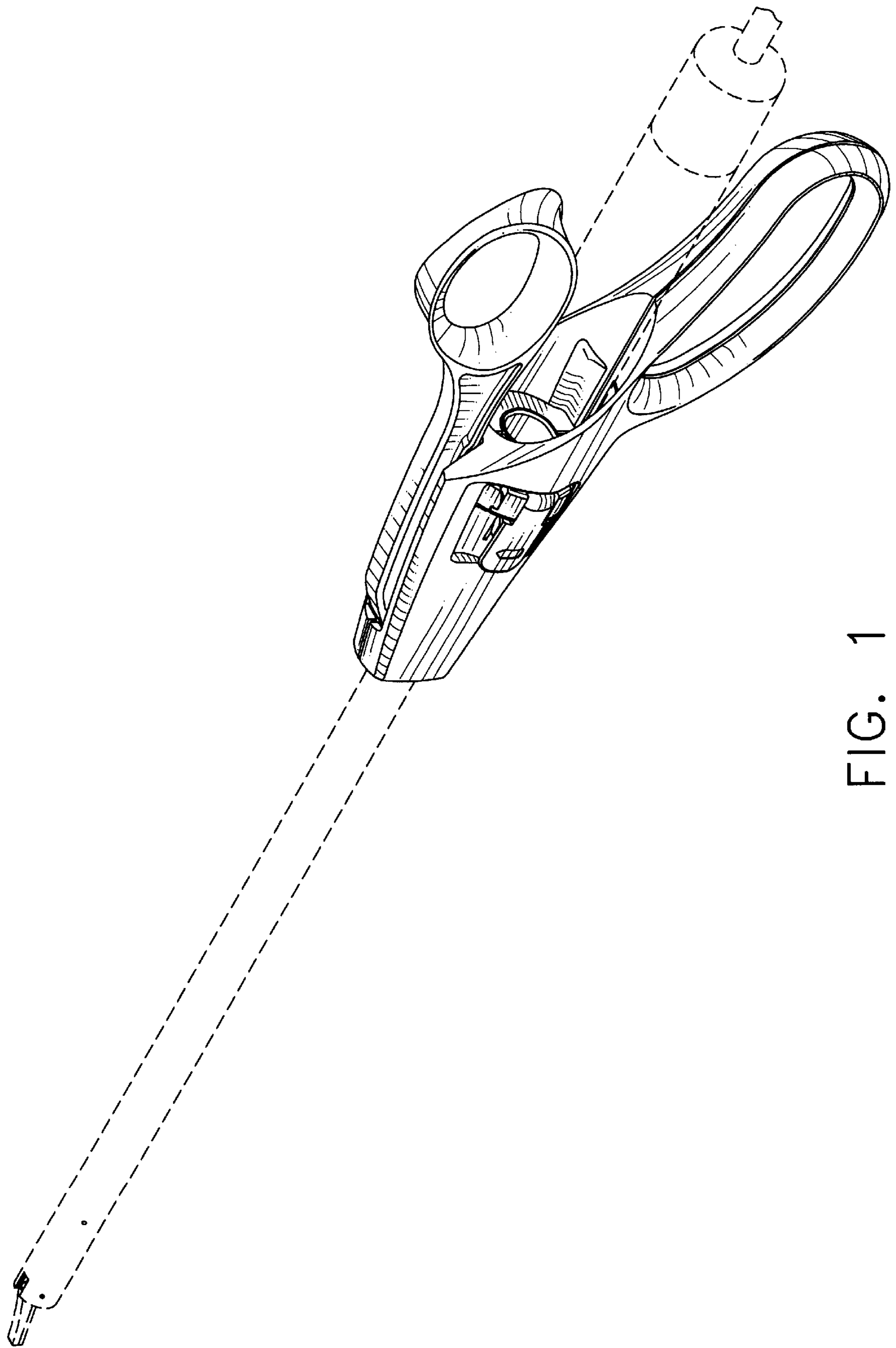


FIG. 1

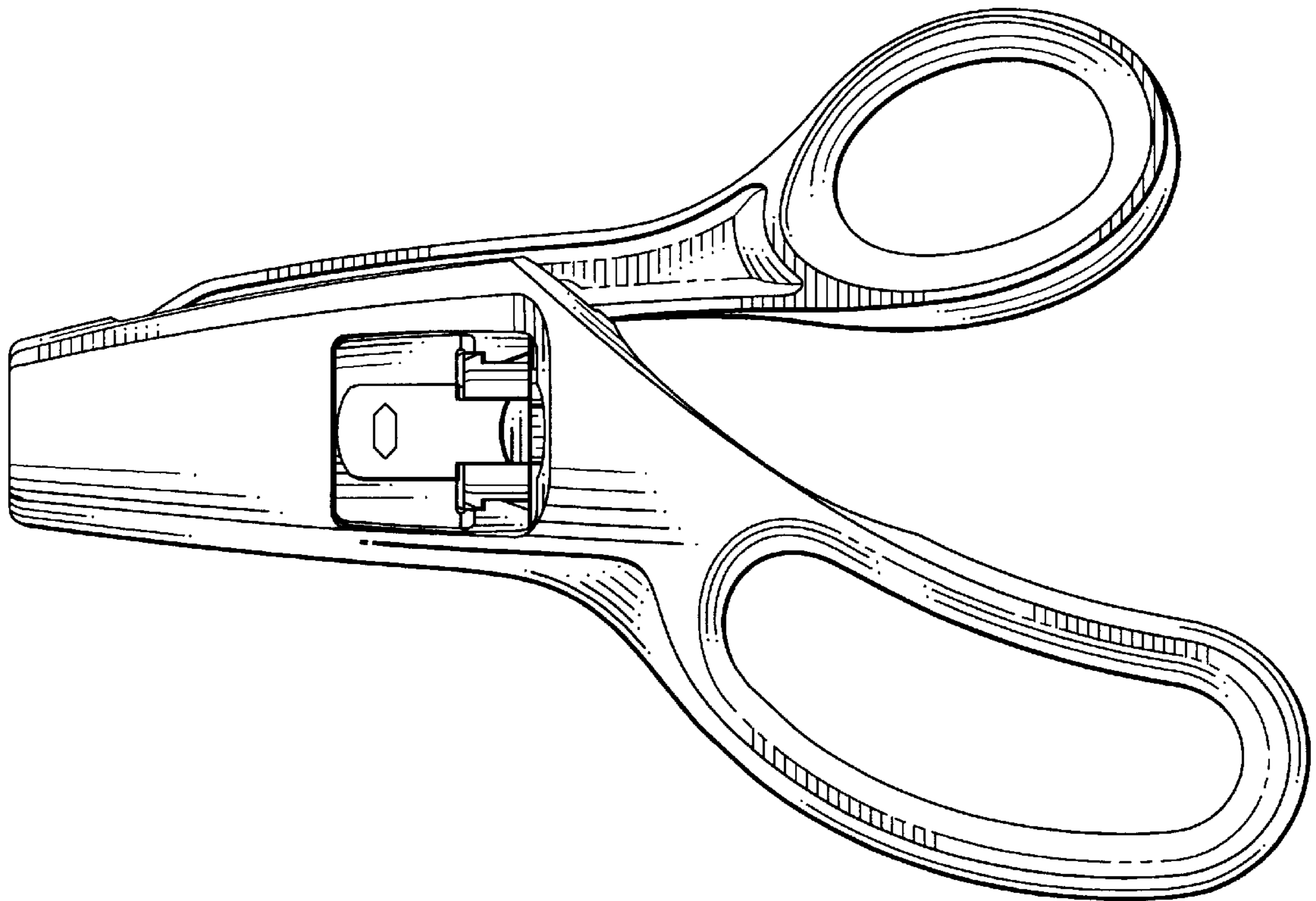


FIG. 2

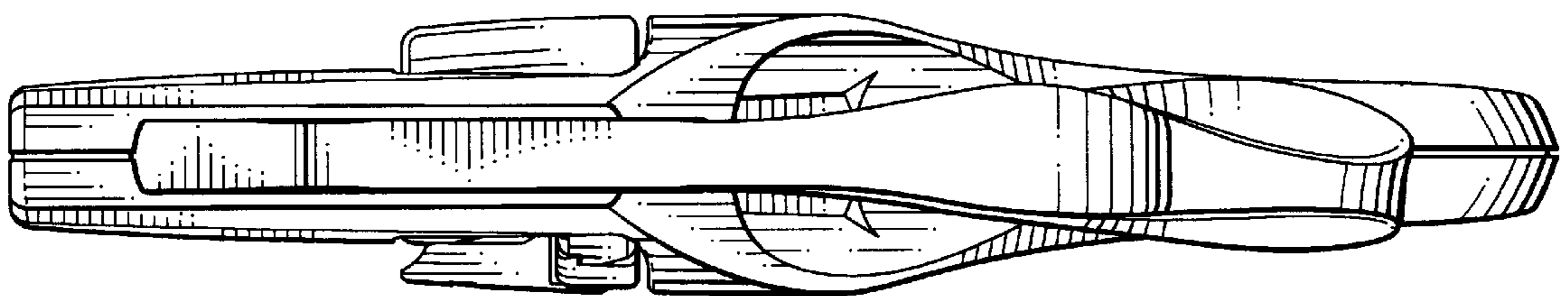


FIG. 3

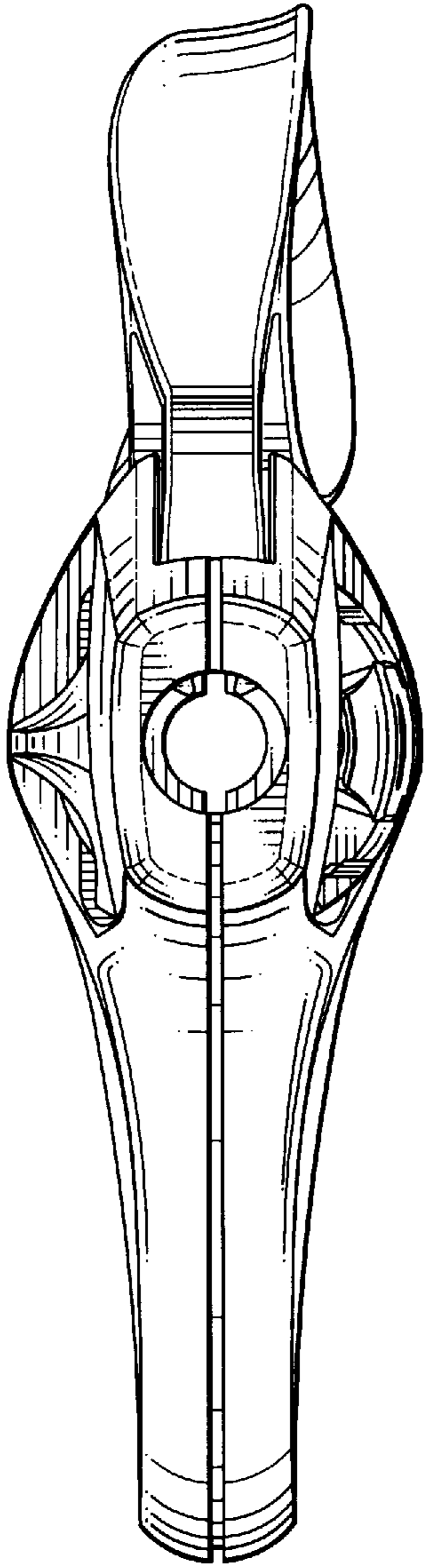


FIG. 4

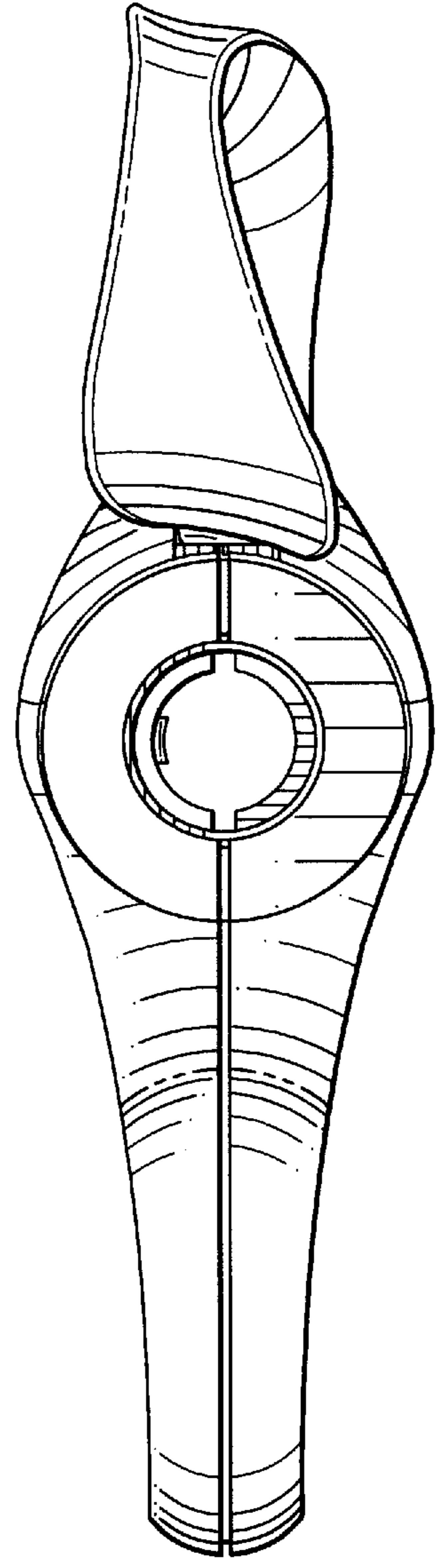


FIG. 5

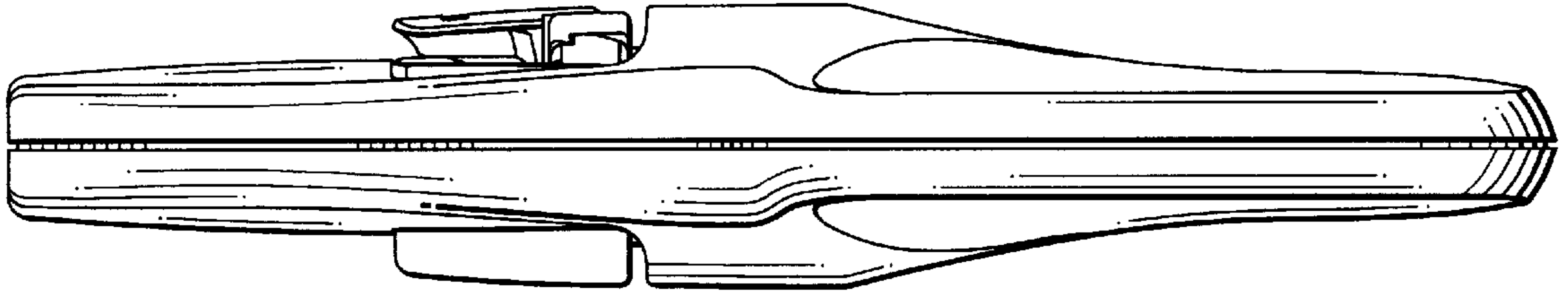


FIG. 6

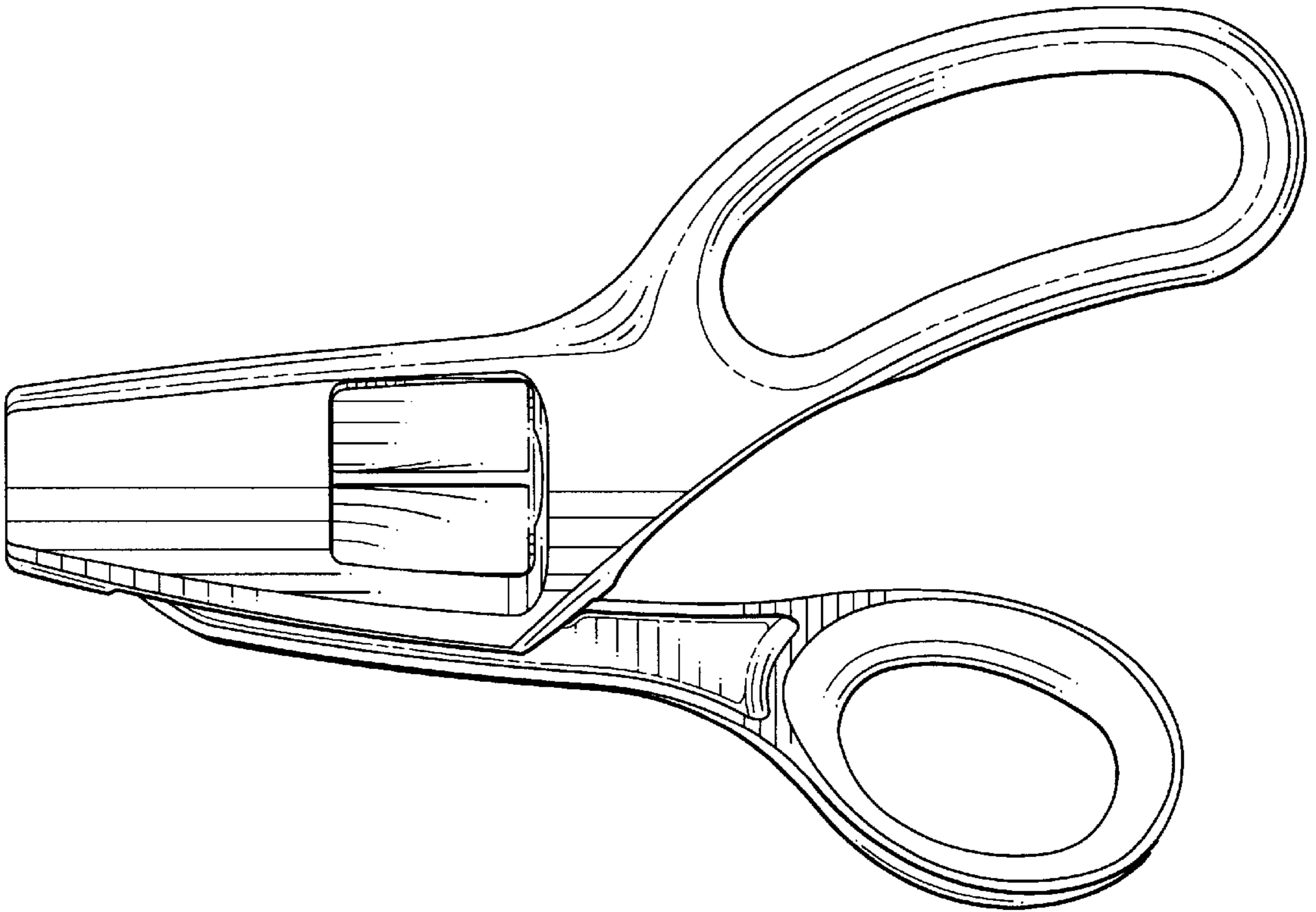


FIG. 7