



US00D403761S

United States Patent [19]
Adams

[11] **Patent Number: Des. 403,761**
[45] **Date of Patent: **Jan. 5, 1999**

[54] **ELLIPTICAL SYRINGE BODY**

5,554,133 9/1996 Haffner et al. 604/227
5,616,136 4/1997 Shillington et al. 604/240

[75] Inventor: **Robert D. Adams**, Shamong, N.J.

[73] Assignee: **Adventec, Inc.**, Medford, N.J.

[**] Term: **14 Years**

Primary Examiner—Susan J. Lucas
Assistant Examiner—Cynthia E. Ramirez
Attorney, Agent, or Firm—Volpe & Koenig, PC

[21] Appl. No.: **74,631**

[22] Filed: **Jul. 30, 1997**

[57] **CLAIM**

The ornamental design for elliptical syringe body, as shown and described.

[51] **LOC (6) Cl.** **24-02**

[52] **U.S. Cl.** **D24/112**

[58] **Field of Search** D24/111, 112,
D24/130, 114, 113; 604/220, 221, 214,
240, 264, 228, 218, 187, 191, 193, 198,
263, 222, 223, 225, 227

DESCRIPTION

FIG. 1 is a perspective view of an elliptical syringe body in accordance with the present invention;
FIG. 2 is a top plan view of the elliptical syringe body of FIG. 1, the bottom plan view is the mirror image thereof;
FIG. 3 is a front elevation of the elliptical syringe body of FIG. 1, the rear elevation is the mirror image thereof;
FIG. 4 is a left side elevation of the elliptical syringe body of FIG. 1; and,
FIG. 5 is a right side elevation of the elliptical syringe body of FIG. 1.

[56] **References Cited**

U.S. PATENT DOCUMENTS

- D. 238,617 1/1976 Richman .
- D. 323,391 1/1992 Payne et al. D24/130
- D. 378,406 3/1997 Kuglar D24/114
- D. 387,426 12/1997 Husar et al. D24/112

1 Claim, 2 Drawing Sheets

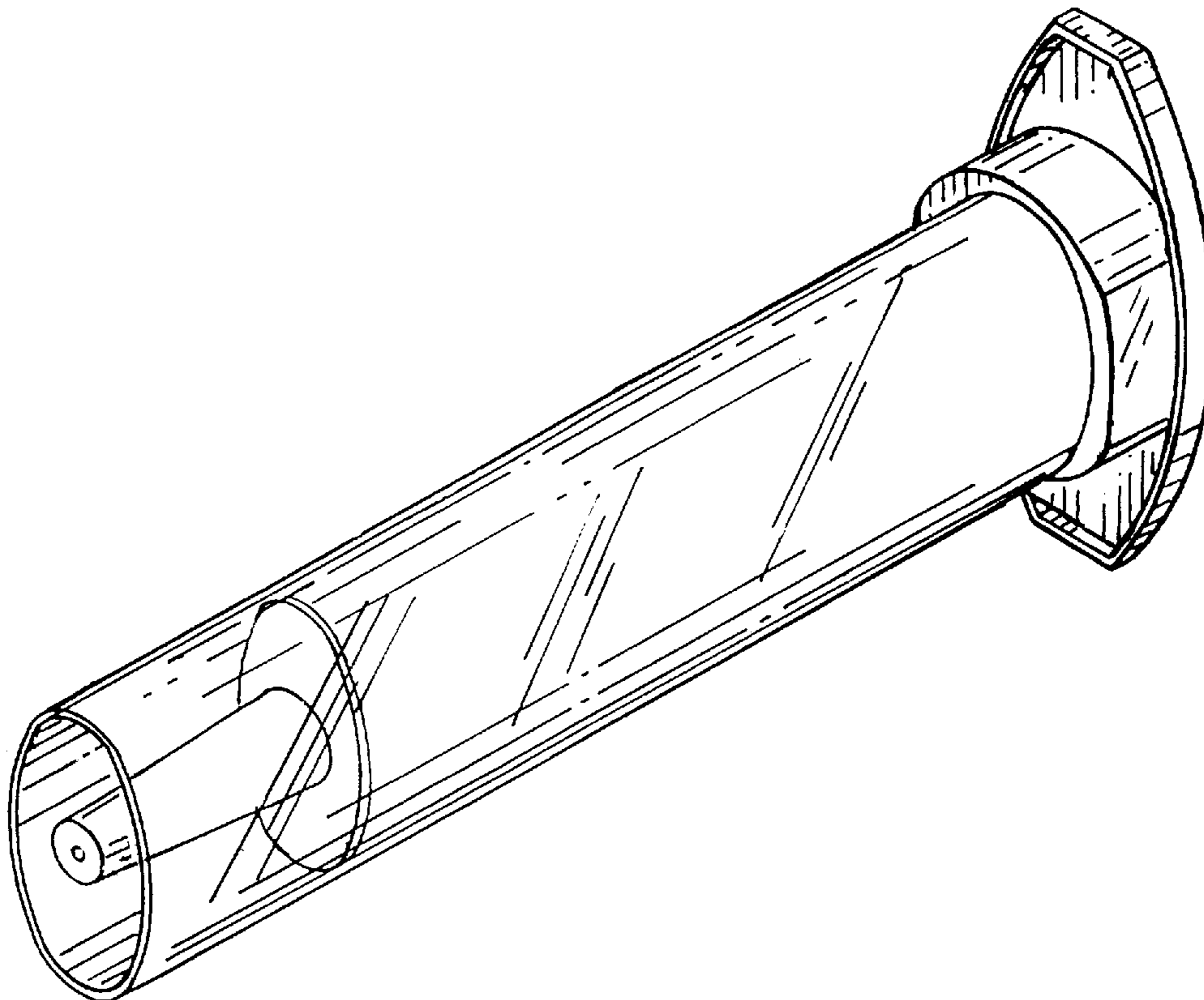


Fig. 1

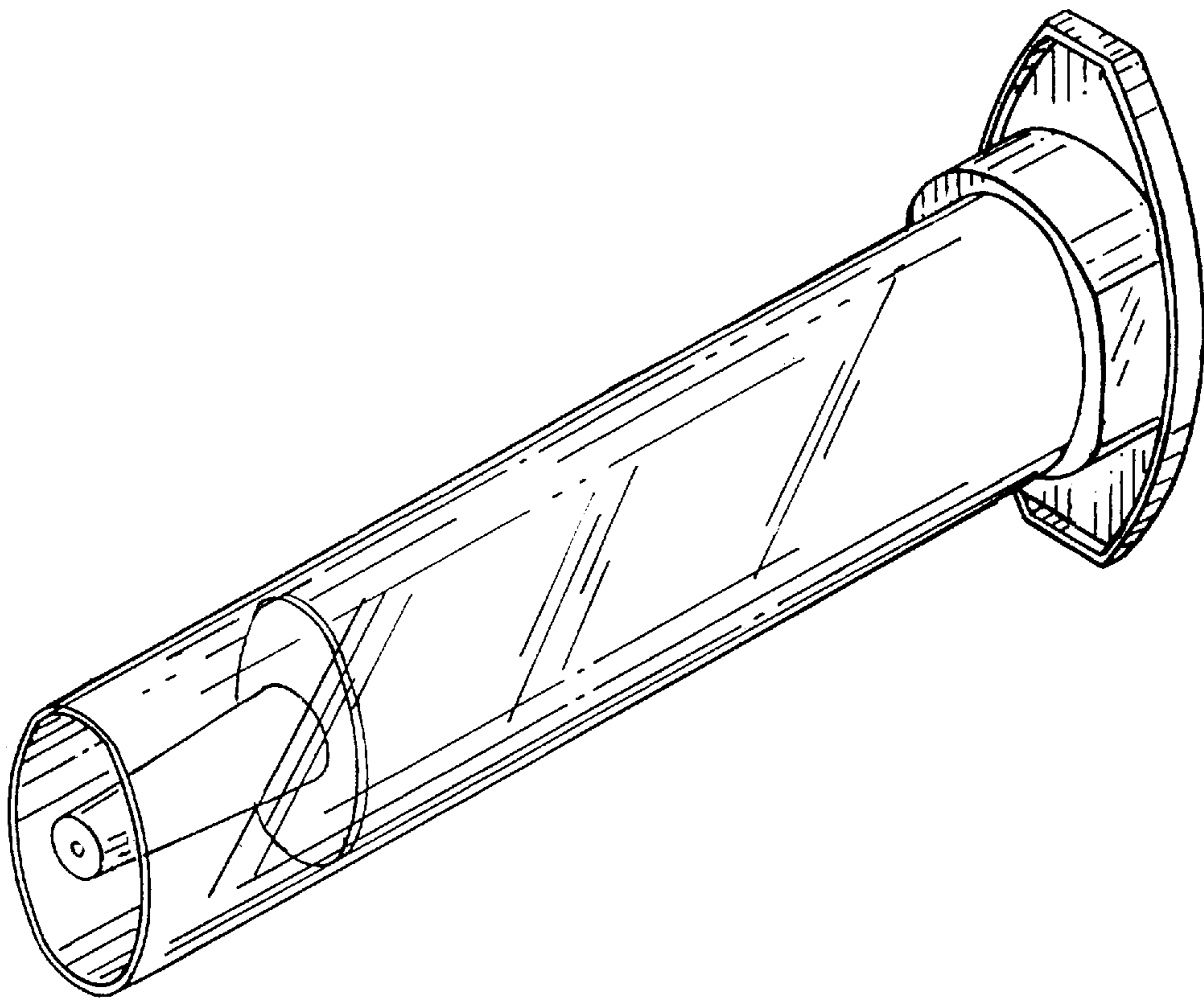


Fig. 2

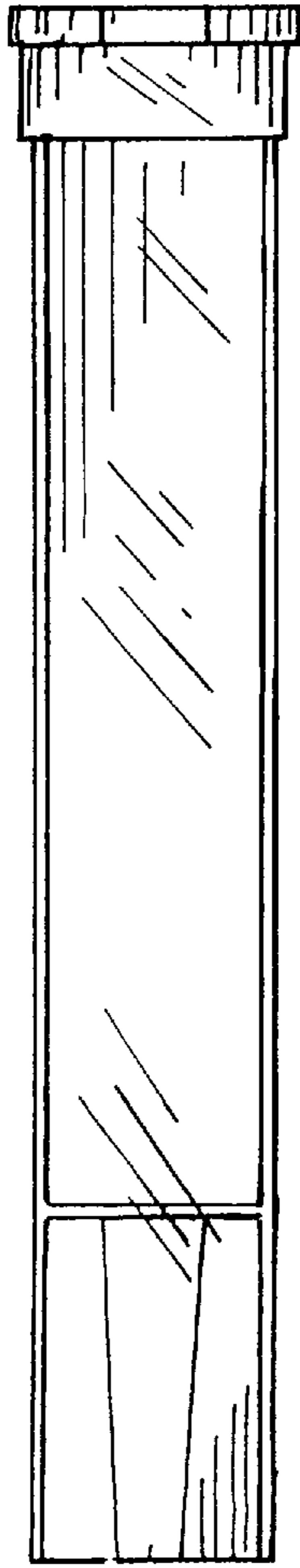


Fig. 4

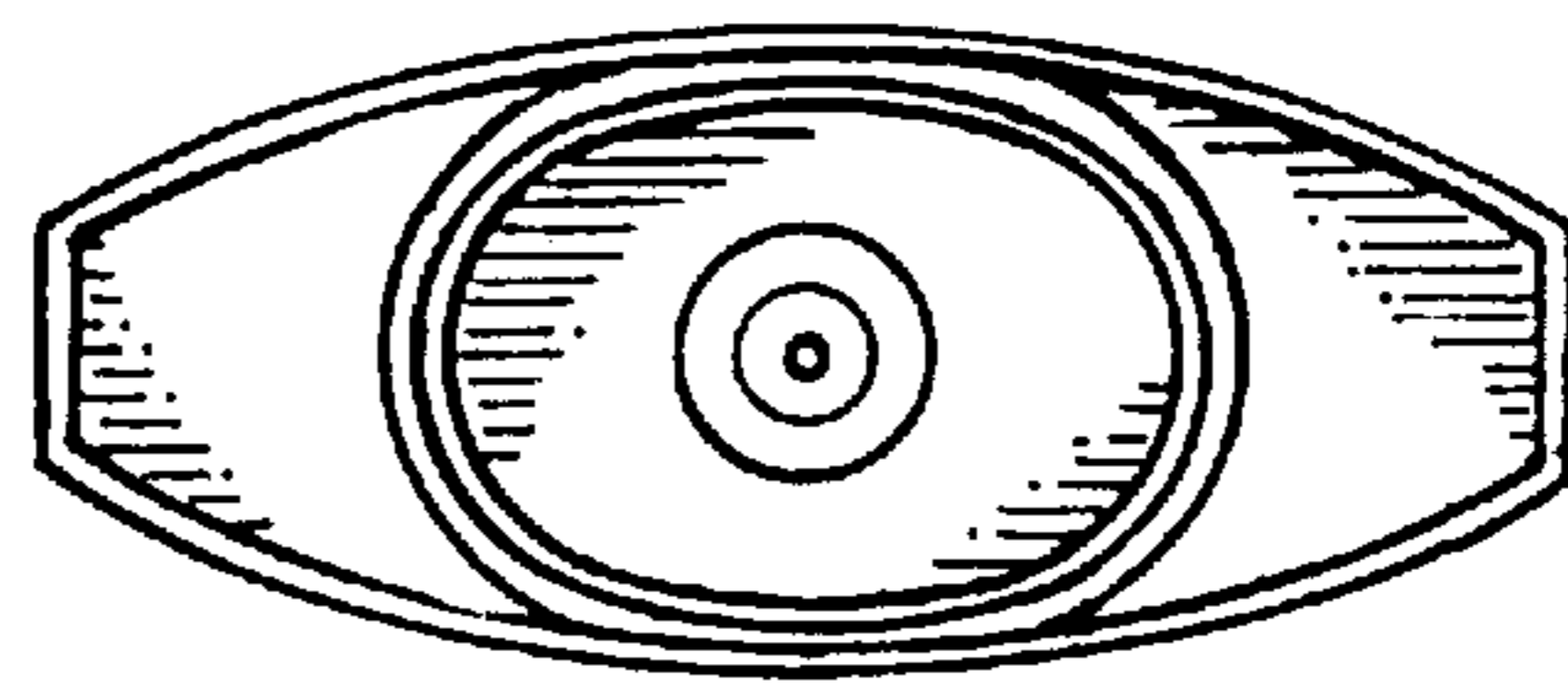


Fig. 3

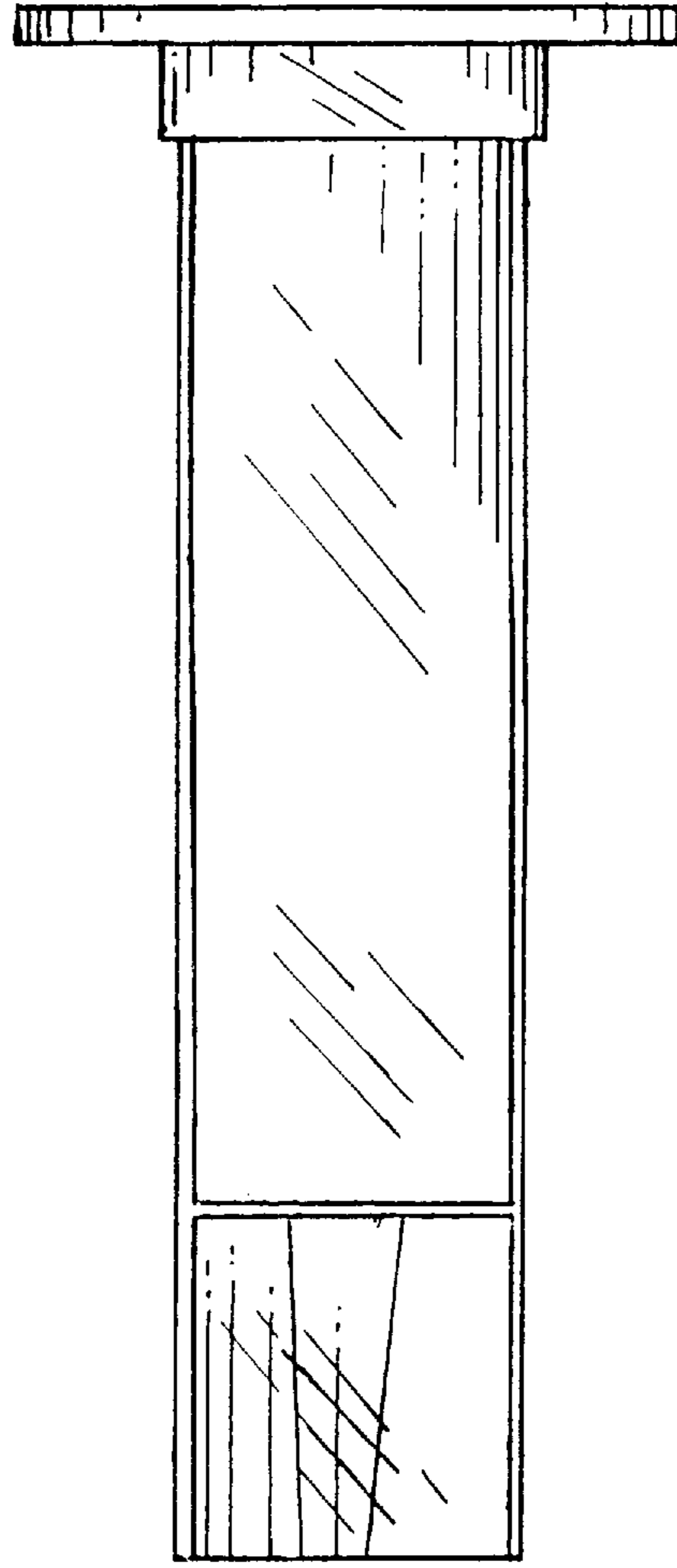


Fig. 5

