



US00D403755S

United States Patent [19] Liang

[11] Patent Number: **Des. 403,755**

[45] Date of Patent: ****Jan. 5, 1999**

[54] FAN

[76] Inventor: **Robert Liang**, No. 28, YangHsiang Road, YangMei, Taoyuan, Taiwan

[**] Term: **14 Years**

[21] Appl. No.: **86,129**

[22] Filed: **Apr. 6, 1998**

[51] LOC (6) Cl. **23-04**

[52] U.S. Cl. **D23/370; D23/379**

[58] Field of Search D23/370, 379; 415/176, 177, 178, 211.2; 361/697, 695, 694; 165/80.3, 121, 122; D14/114

5,421,402 6/1995 Lin 165/80.3
 5,509,465 4/1996 Lai 165/80.3
 5,522,700 6/1996 Hong 415/177
 5,664,624 9/1997 Tsai et al. 165/80.3
 5,734,553 3/1998 Hong 361/697

Primary Examiner—Lisa Lichtenstein

[57] CLAIM

The ornamental design for a fan, as shown.

DESCRIPTION

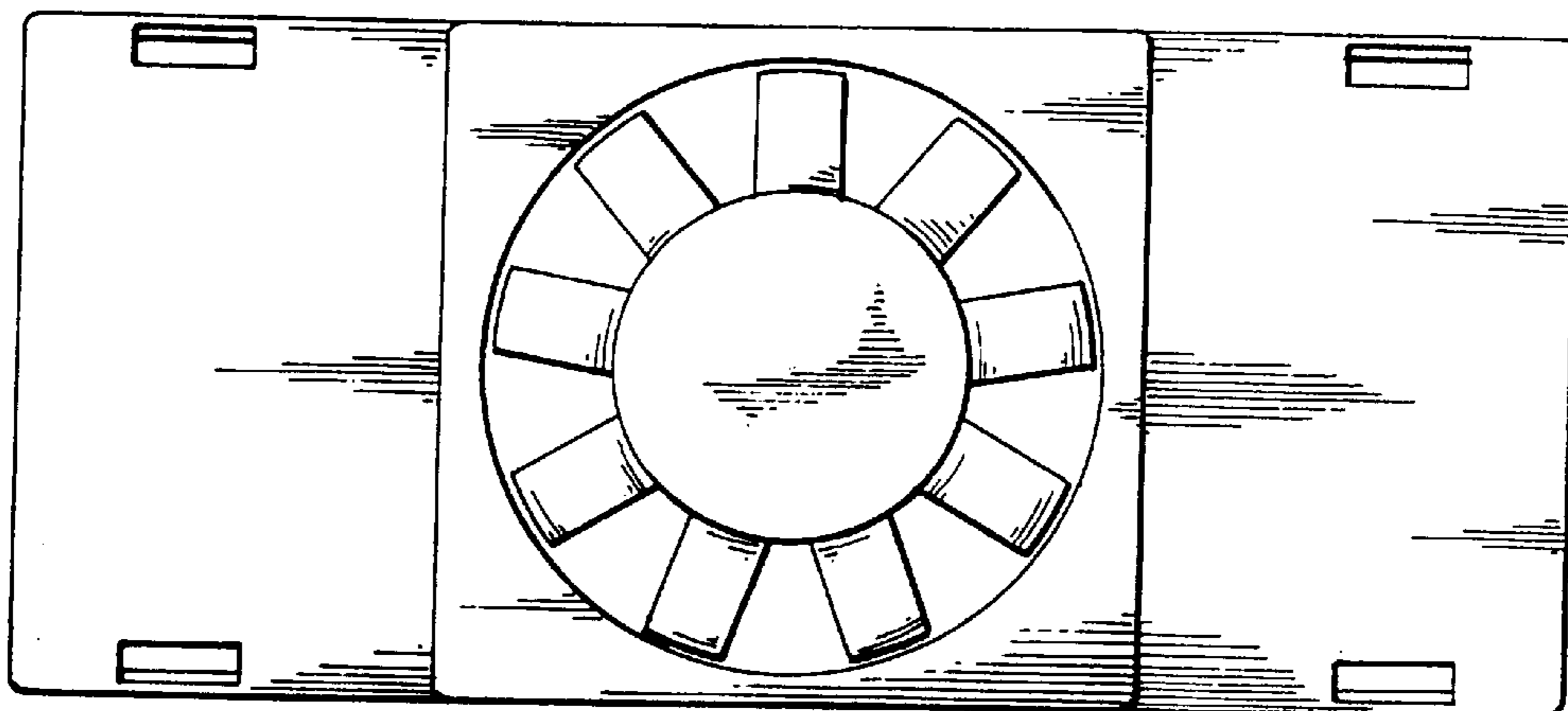
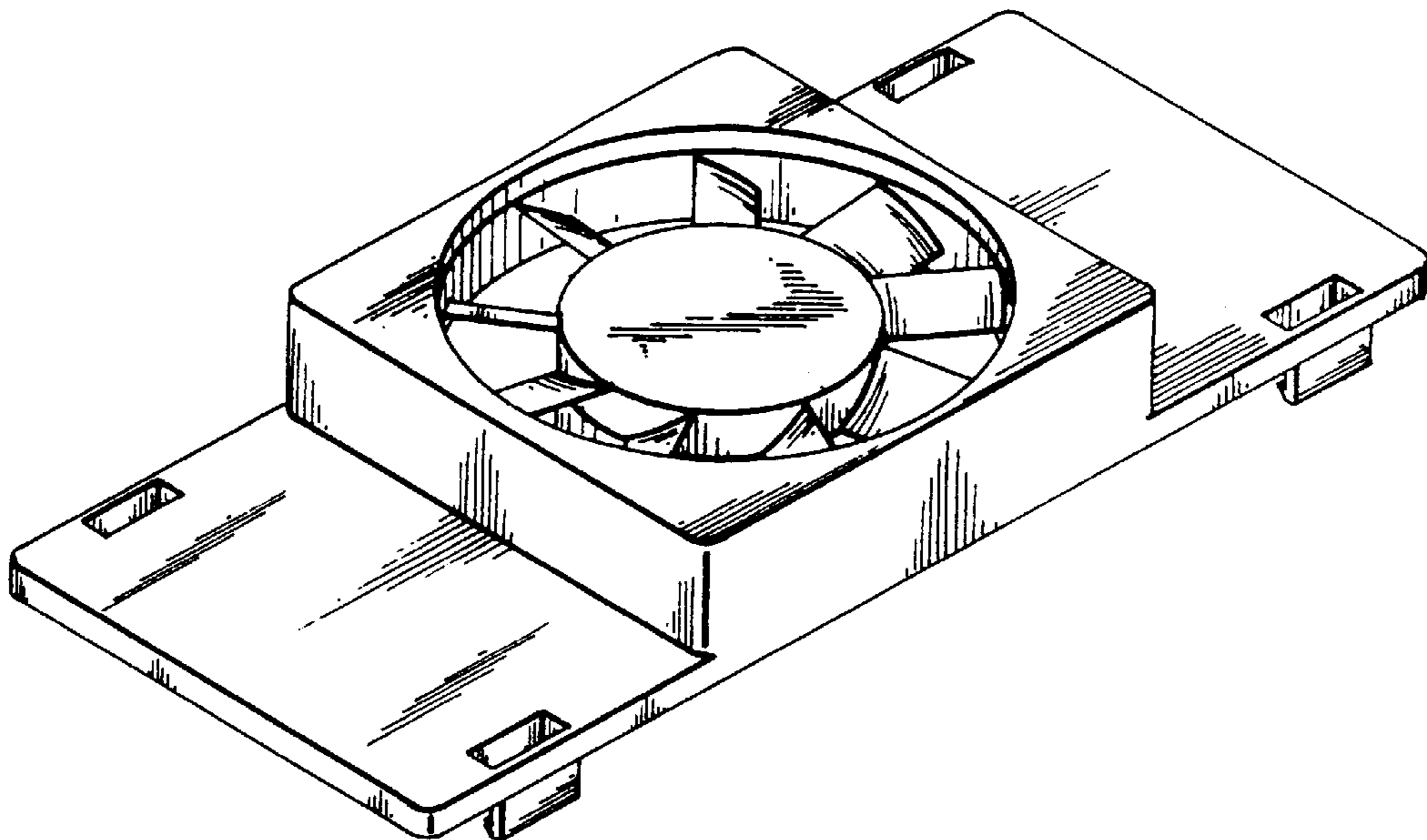
FIG. 1 is a perspective view of a fan showing my new design;
 FIG. 2 is a front elevational view thereof;
 FIG. 3 is a rear elevational view thereof;
 FIG. 4 is a left side elevational view thereof;
 FIG. 5 is a right side elevational view thereof;
 FIG. 6 is a top view thereof; and,
 FIG. 7 is a bottom view thereof.

[56] **References Cited**

U.S. PATENT DOCUMENTS

5,299,632 4/1994 Lee 165/80.3
 5,335,722 8/1994 Wu 165/122
 5,409,352 4/1995 Lin 361/697

1 Claim, 3 Drawing Sheets



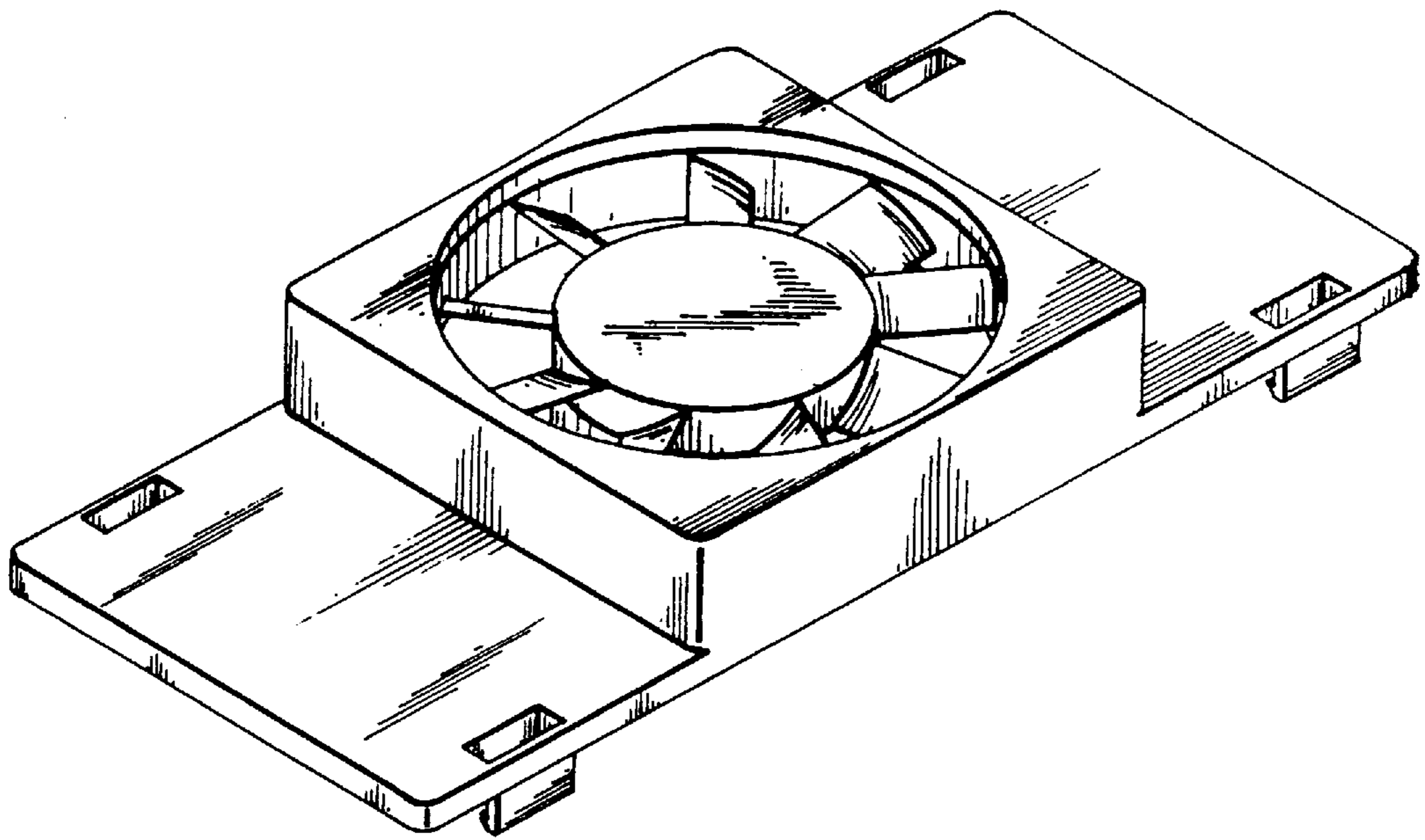


Fig. 1

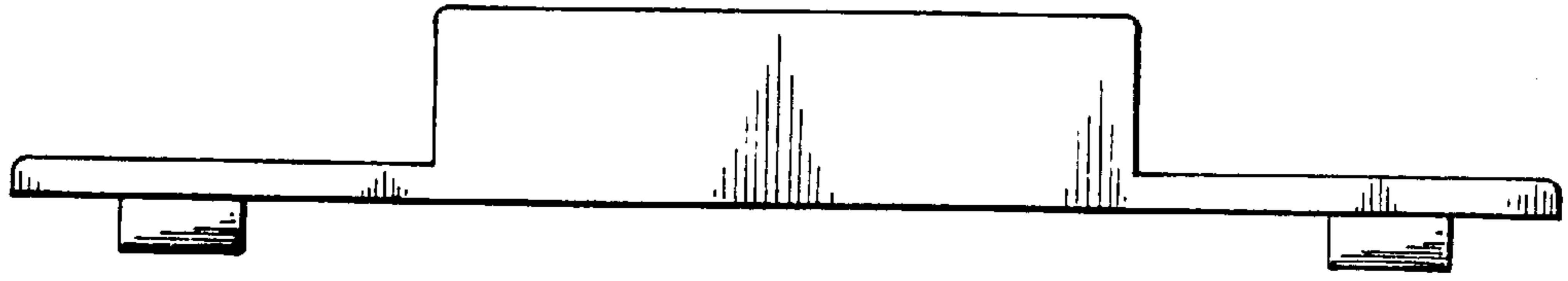


Fig. 2

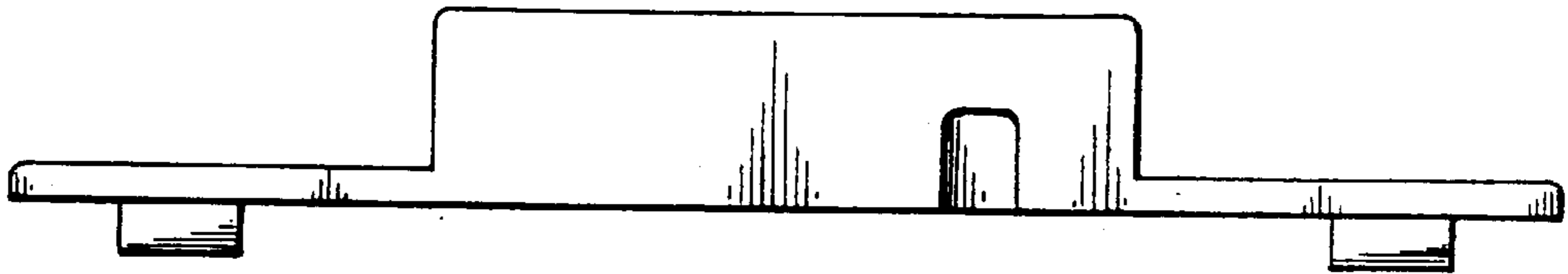


Fig. 3

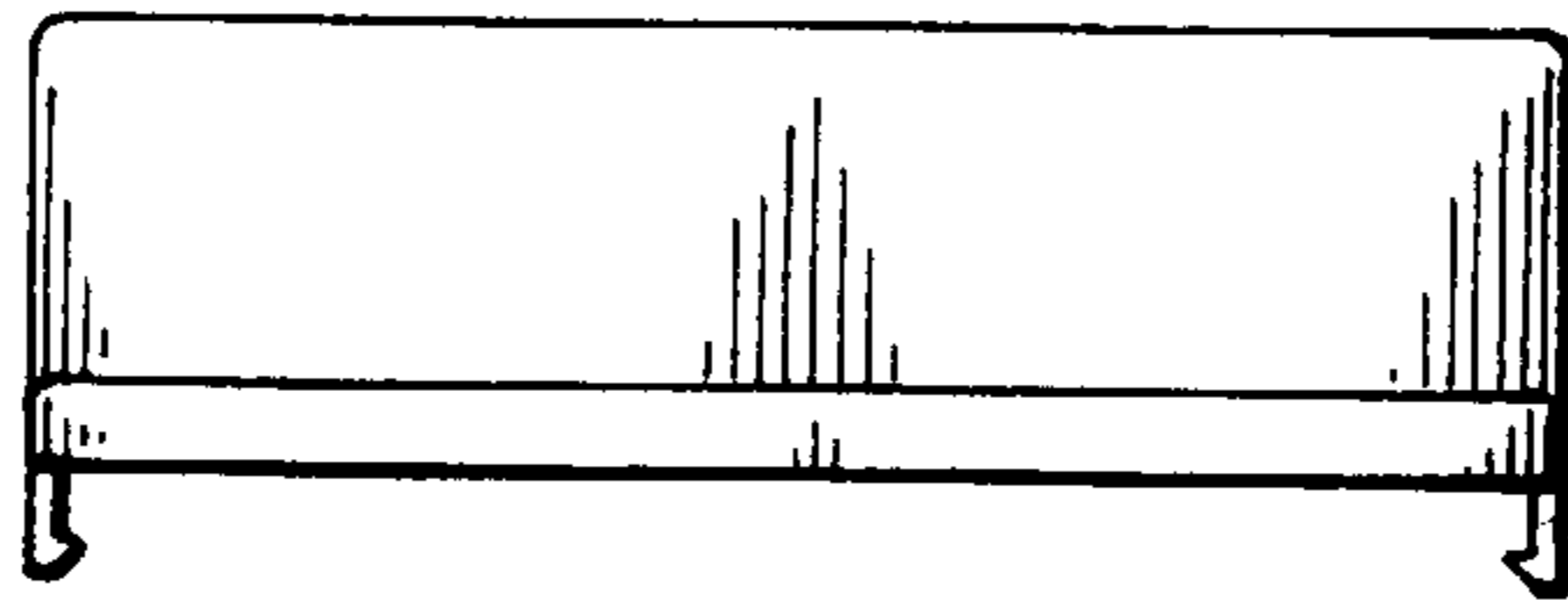


Fig. 4

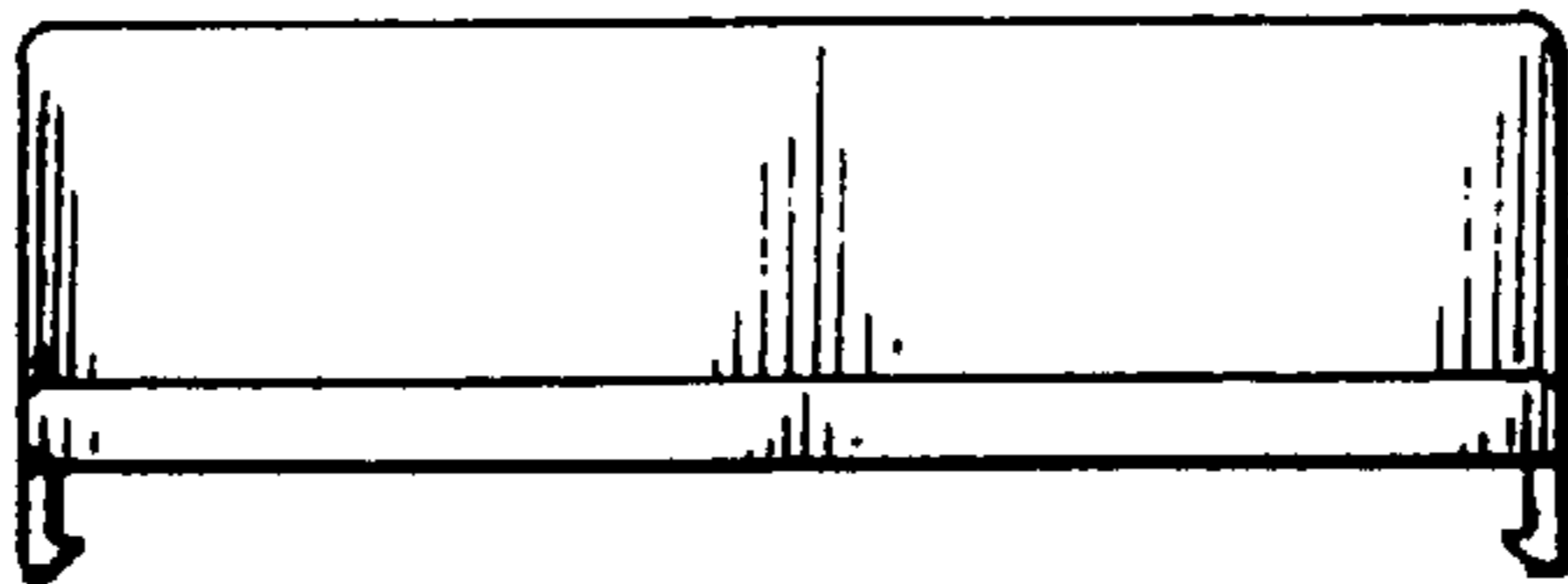


Fig. 5

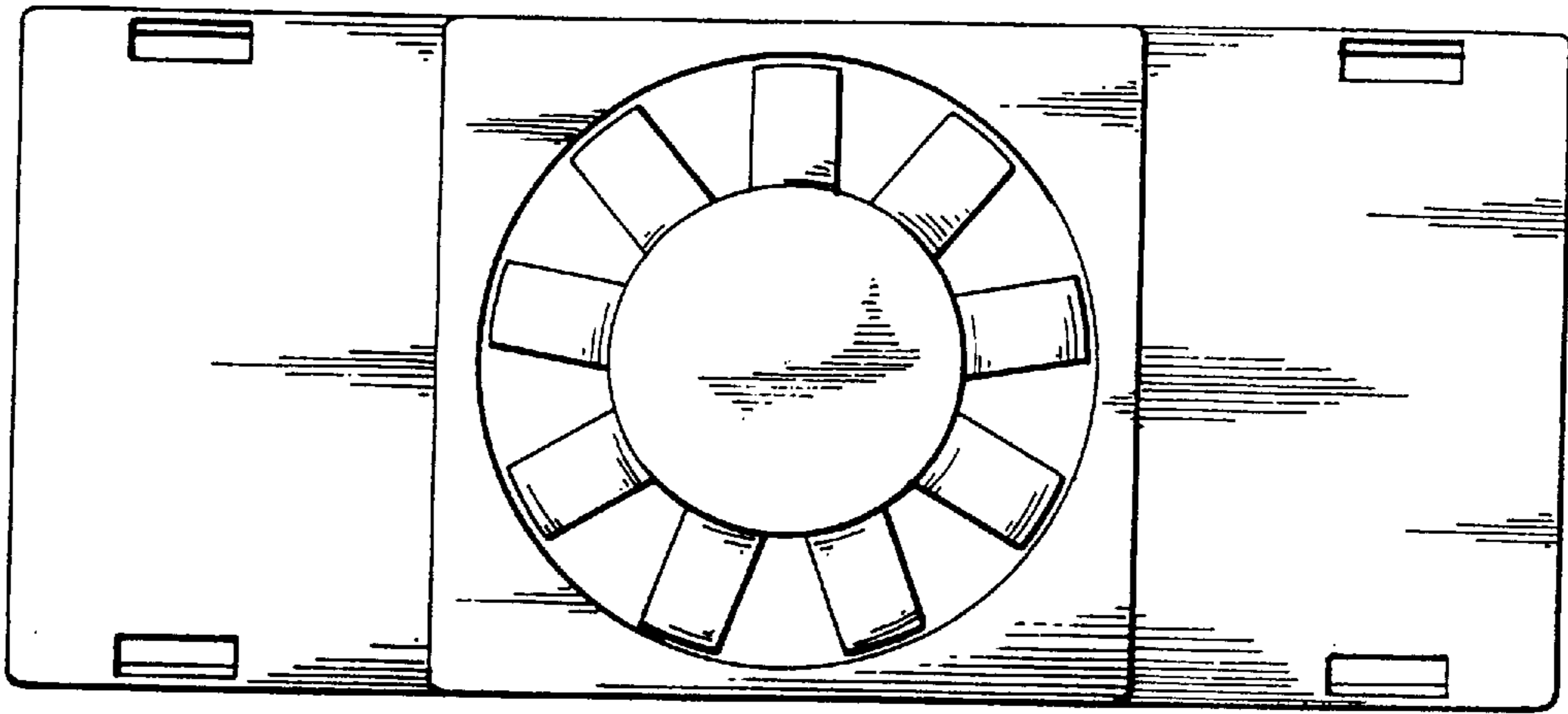


Fig. 6

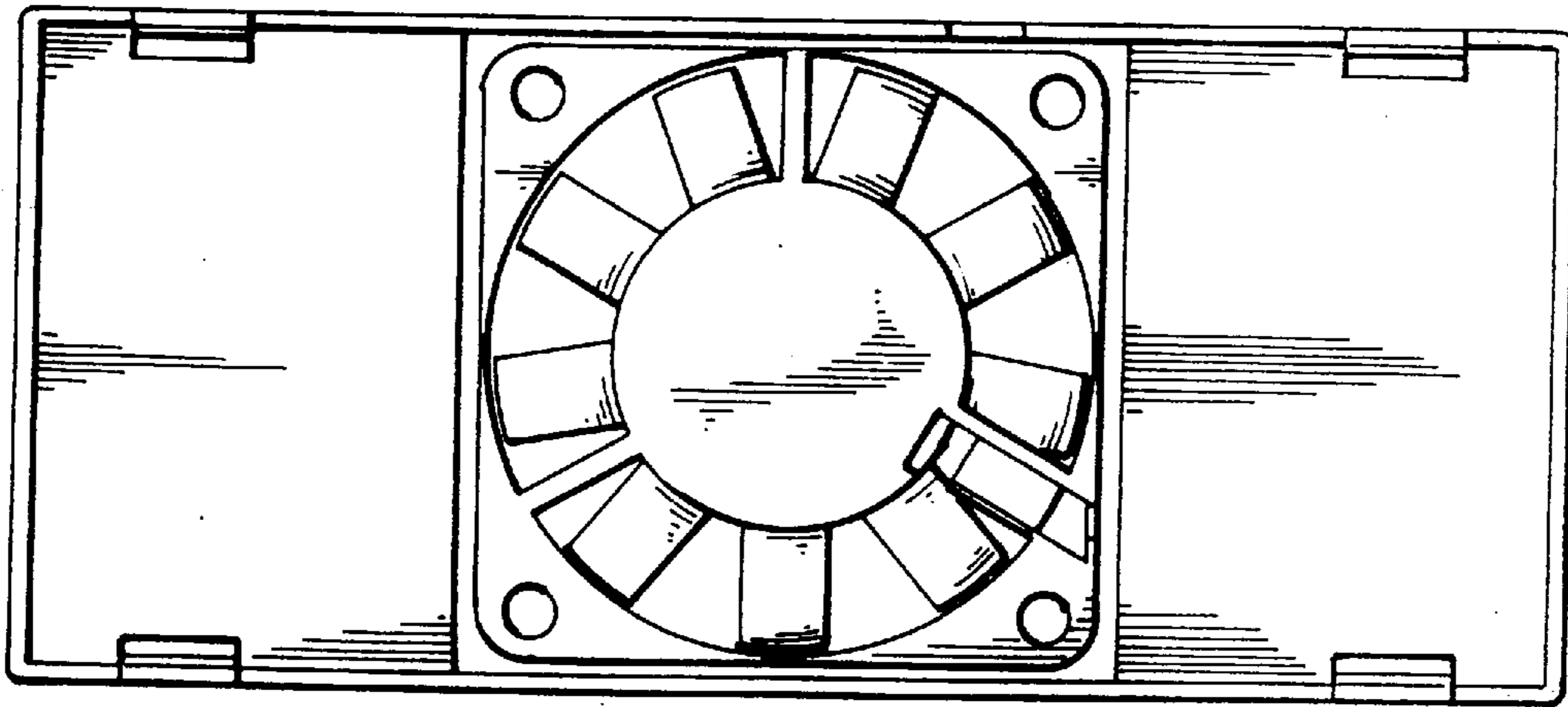


Fig. 7