



US00D403754S

**United States Patent** [19]  
**Gottwald**

[11] **Patent Number:** **Des. 403,754**

[45] **Date of Patent:** **\*\*Jan. 5, 1999**

[54] **HAND-SHOWER HOLDER**

4,271,543	6/1981	Martin .....	4/615
4,282,612	8/1981	King .....	4/601
5,632,049	5/1997	Chen .....	4/570

[75] Inventor: **Adolf Gottwald**, Iserlohn, Germany

[73] Assignee: **Friedrich Grohe AG**, Hemer, Germany

[\*\*] Term: **14 Years**

*Primary Examiner*—Louis S. Zarfes  
*Assistant Examiner*—Eric Watterson  
*Attorney, Agent, or Firm*—Herbert Dubno

[21] Appl. No.: **72,915**

[57] **CLAIM**

[22] Filed: **Jun. 16, 1997**

The ornamental design for a hand-shower holder, as shown and described.

[30] **Foreign Application Priority Data**

**DESCRIPTION**

Jan. 29, 1997 [DE] Germany ..... M9700838.9

[51] **LOC (6) Cl.** ..... **23-02**

FIG. 1 is a top, front, left-side perspective view of a hand-shower holder showing my new design;

[52] **U.S. Cl.** ..... **D23/304**

FIG. 2 is a front view thereof;

[58] **Field of Search** ..... D23/283, 213, D23/223, 228, 303, 304, 230; 4/549, 580, 584, 596, DIG. 9, 612; D8/352; 261/46.4

FIG. 3 is a rear view thereof;

FIG. 4 is a top view thereof;

FIG. 5 is a left side elevational view thereof, the right side being mirror symmetrical thereto; and,

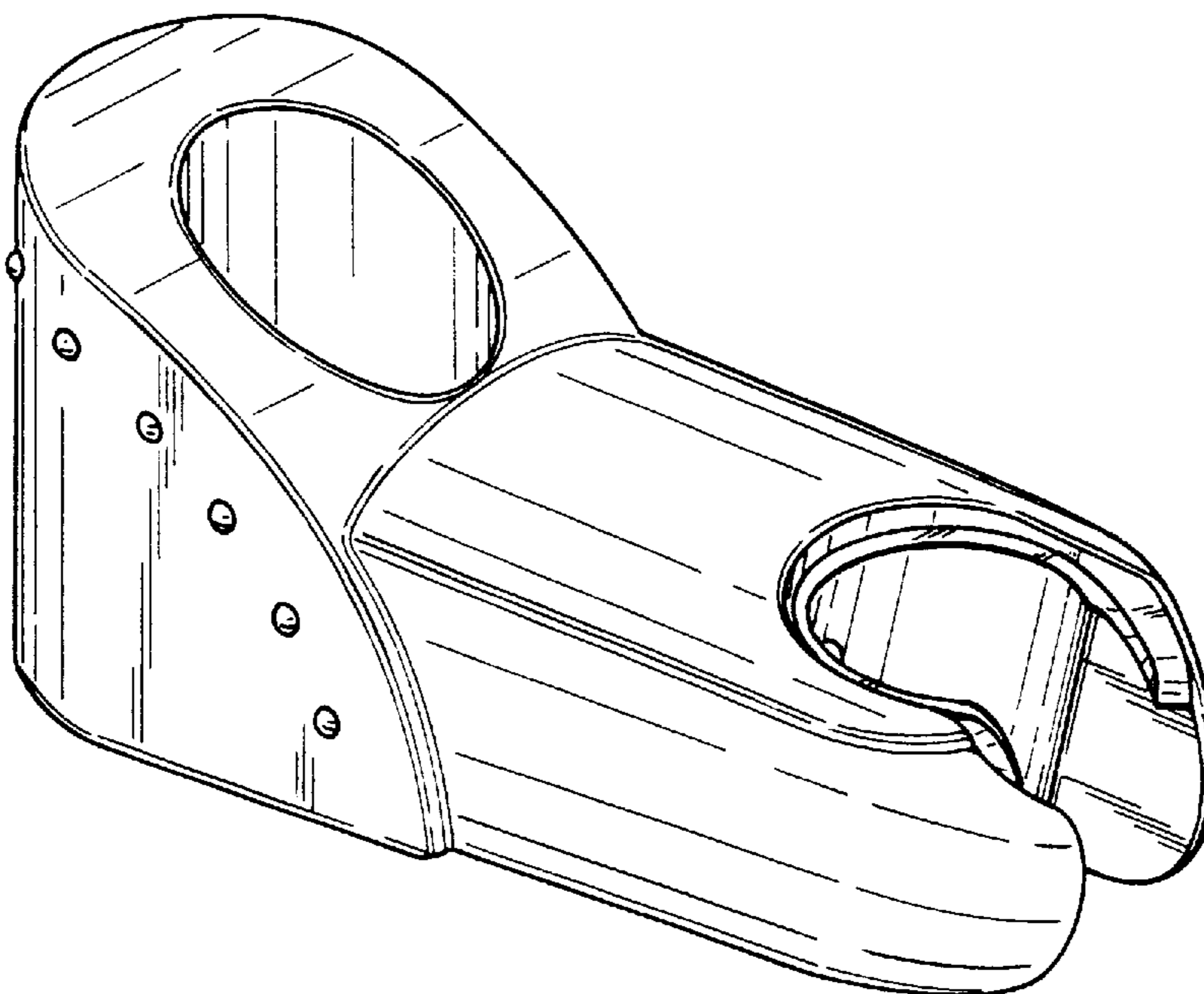
FIG. 6 is a bottom view thereof.

[56] **References Cited**

**U.S. PATENT DOCUMENTS**

D. 291,912 9/1987 Fabian ..... D23/283

**1 Claim, 2 Drawing Sheets**



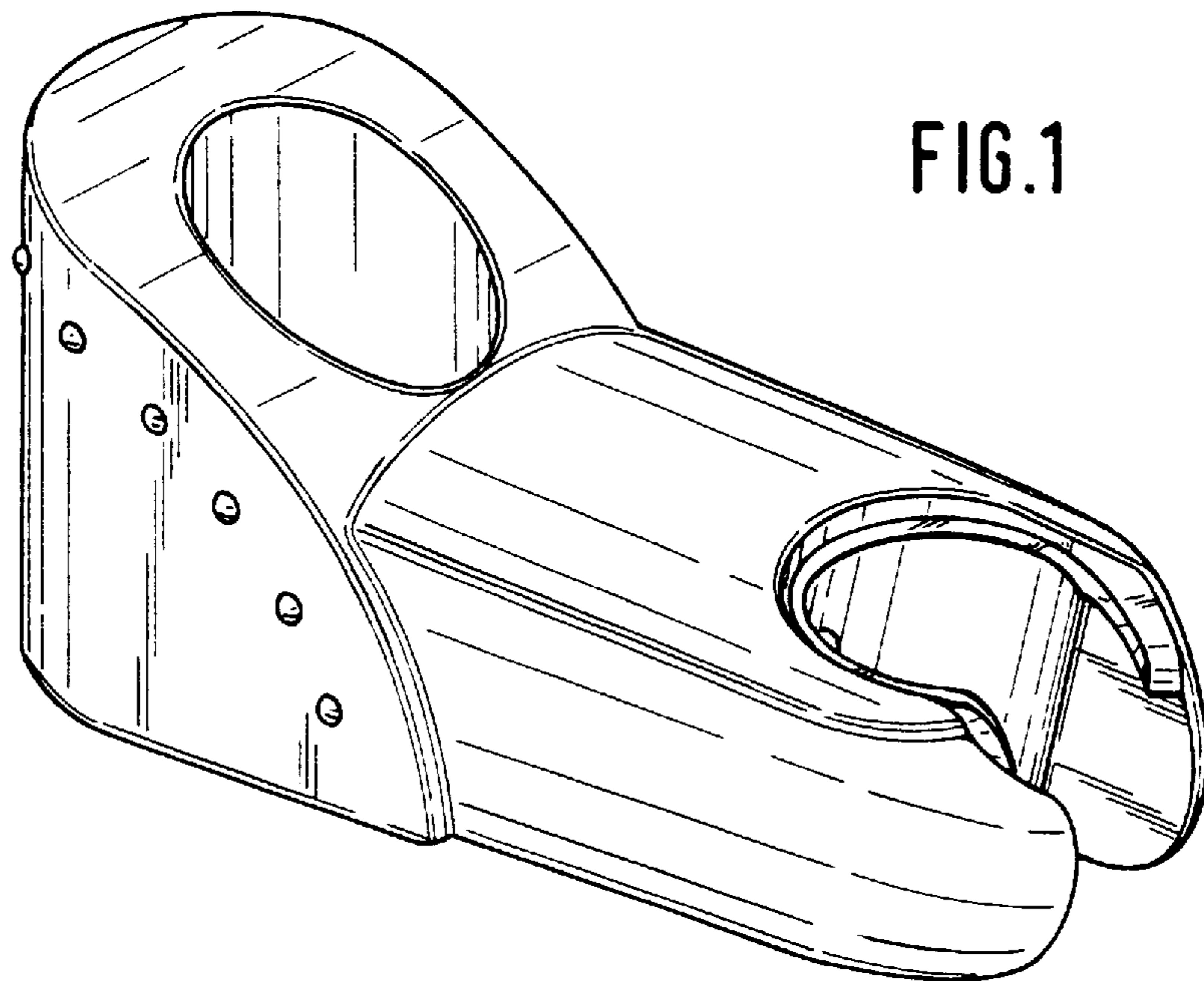


FIG. 2

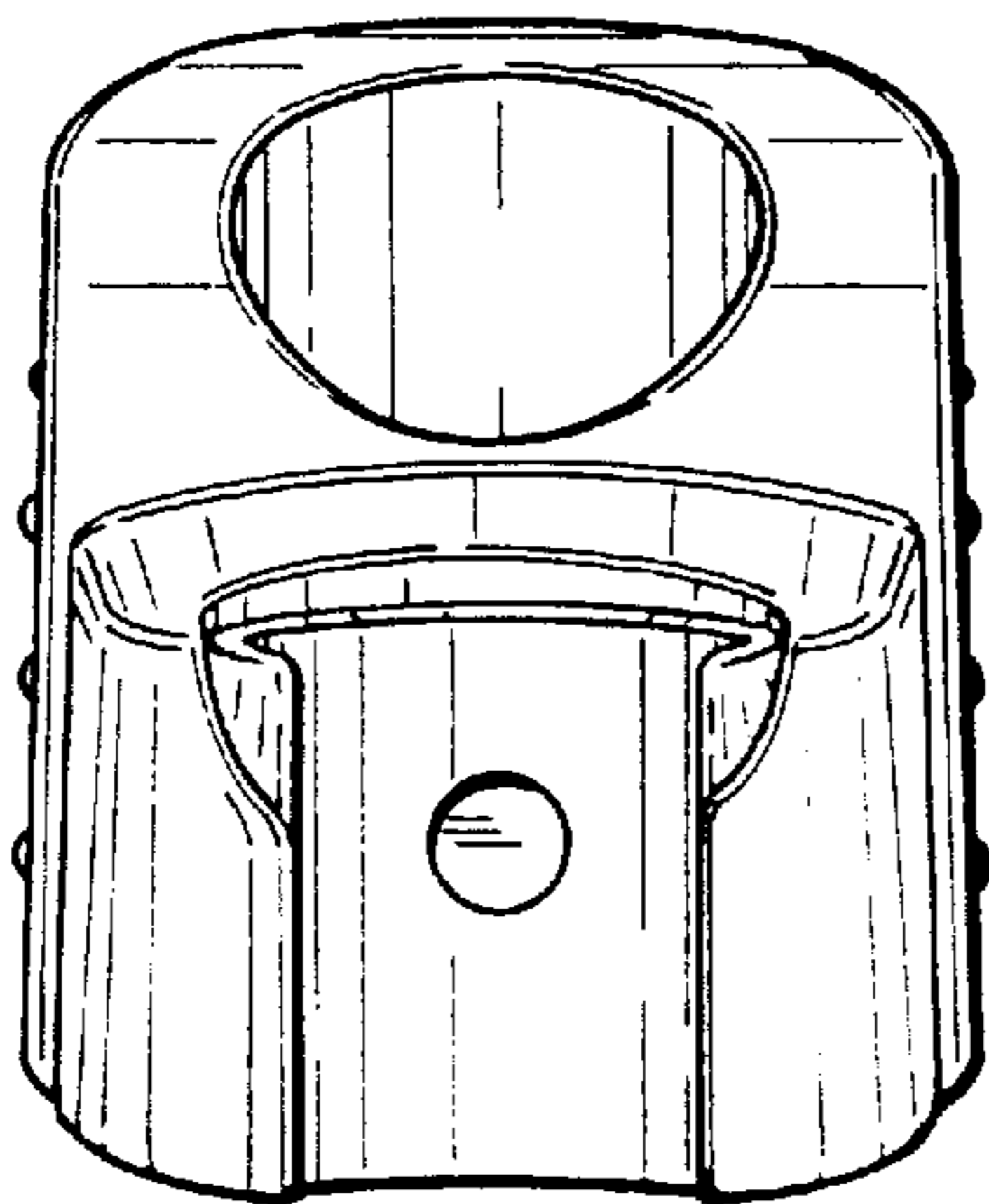
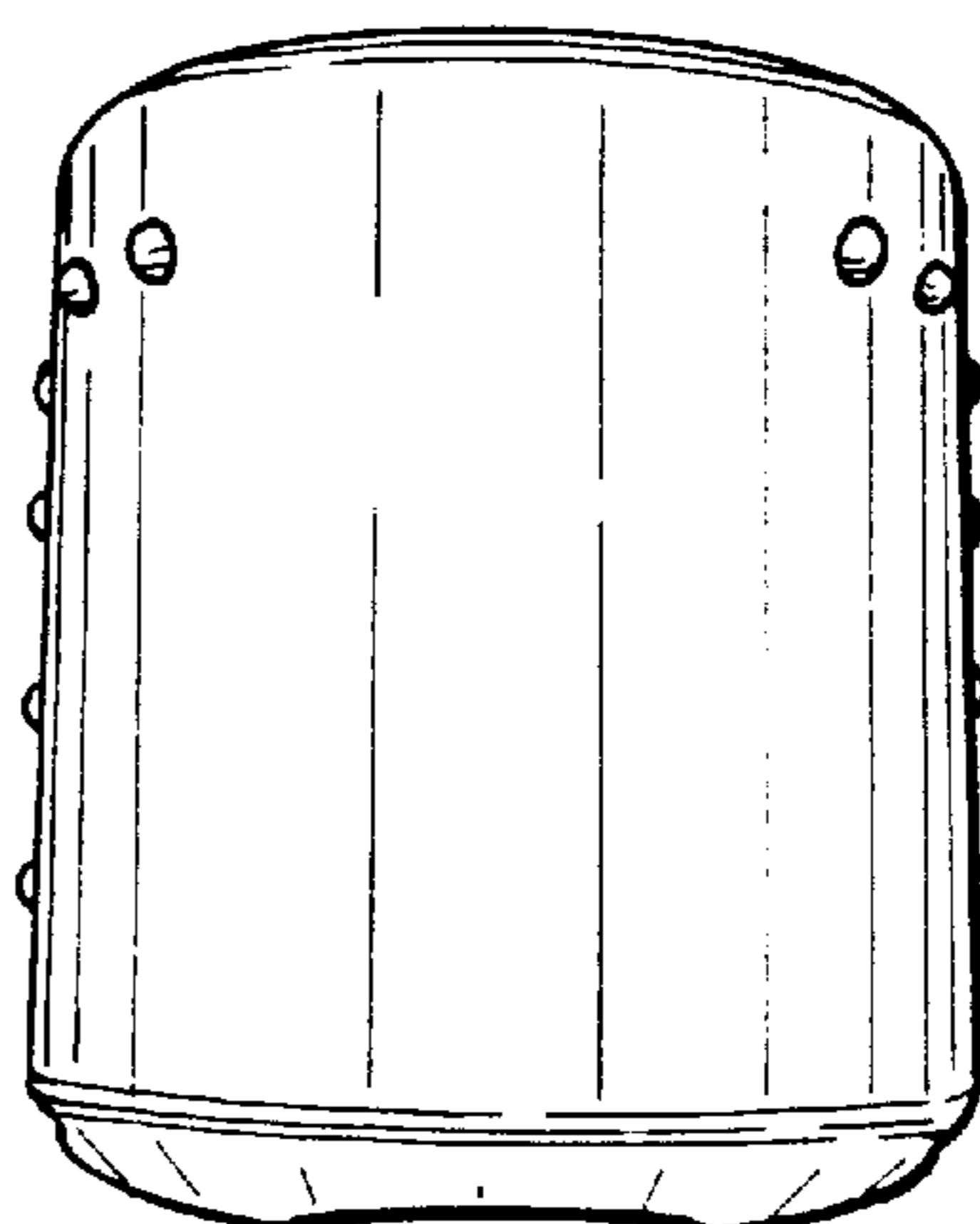


FIG. 3



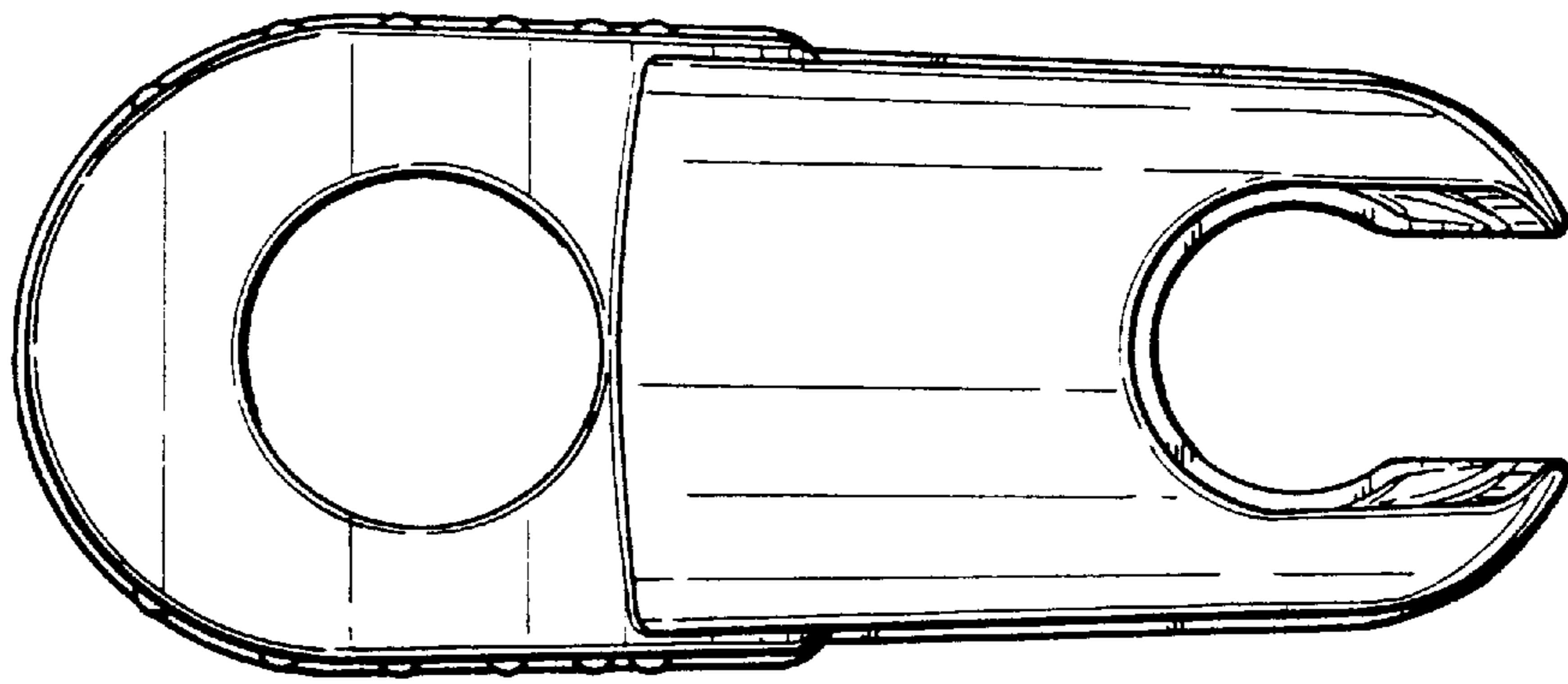


FIG. 4

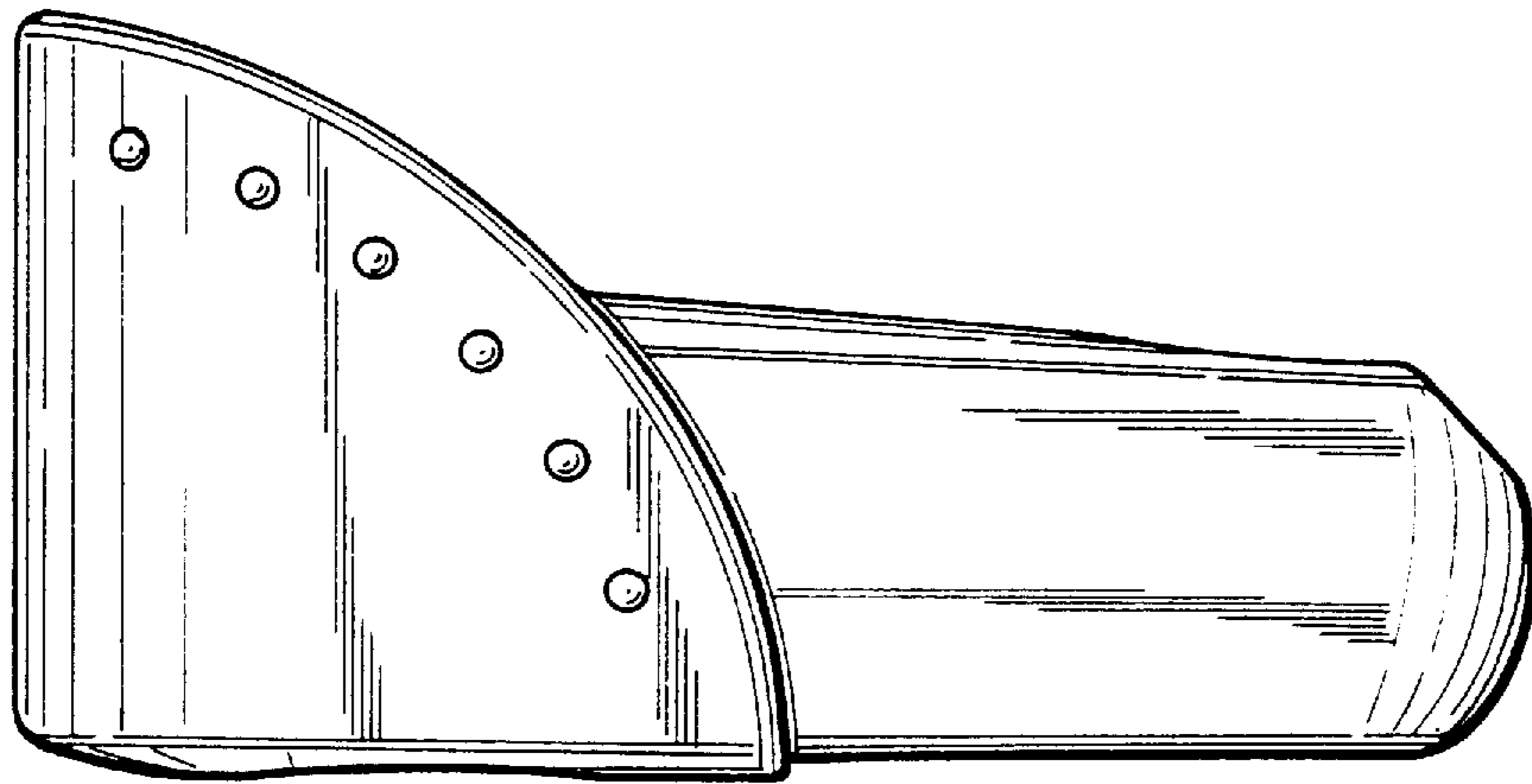


FIG. 5

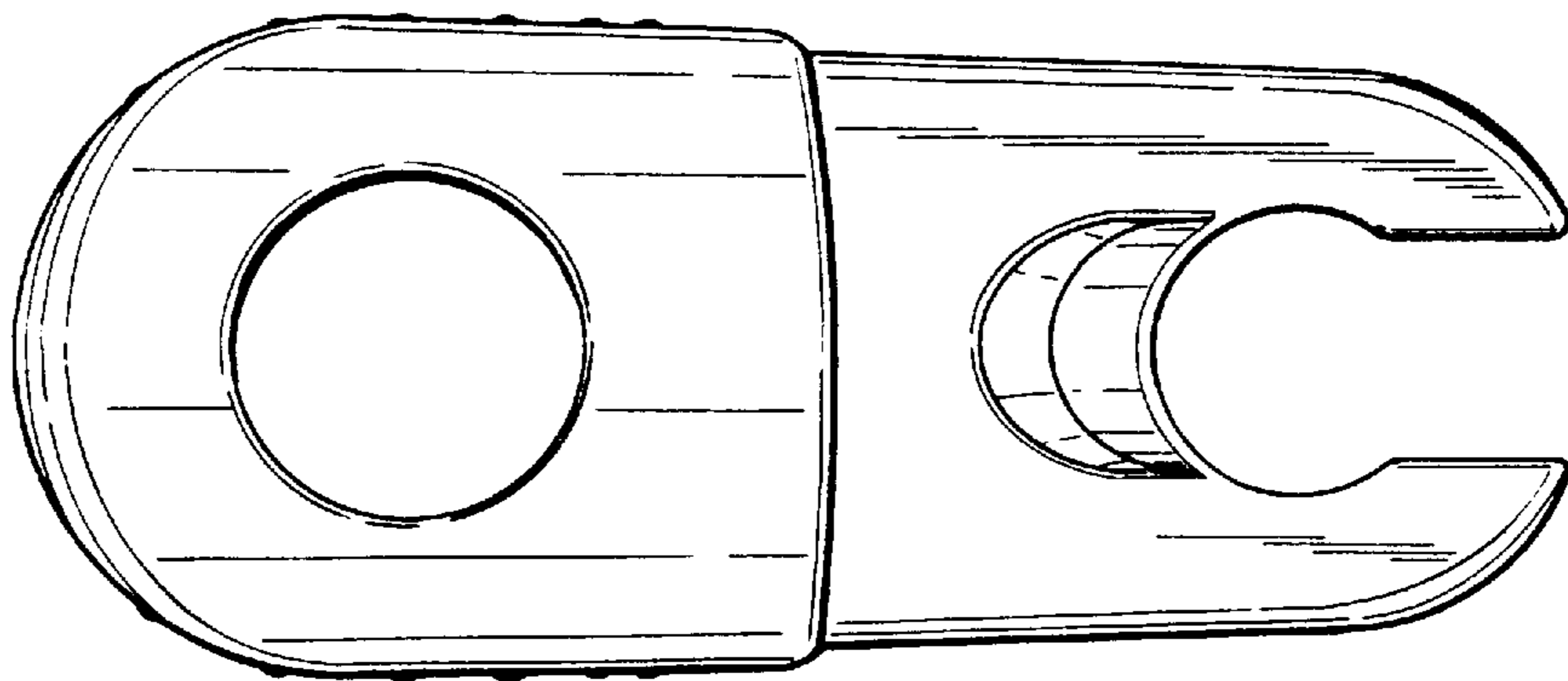


FIG. 6