



US00D403752S

United States Patent [19]
Rademaker

[11] **Patent Number:** **Des. 403,752**

[45] **Date of Patent:** ****Jan. 5, 1999**

[54] **VENT CAP**

D. 367,702 3/1996 Martin D23/260
D. 379,851 6/1997 Mathison D23/260
3,713,463 1/1973 Bywater, Jr. 138/89

[75] Inventor: **Johan K. Rademaker**, West Olive,
Mich.

Primary Examiner—Marcus A. Jackson
Attorney, Agent, or Firm—Rader, Fishman, Grauer &
McGarry

[73] Assignee: **Hart & Cooley, Inc.**, Holland, Mich.

[**] Term: **14 Years**

[57] **CLAIM**

[21] Appl. No.: **82,079**

The ornamental design for a vent cap, as shown and described.

[22] Filed: **Jan. 14, 1998**

DESCRIPTION

[51] **LOC (6) Cl.** **23-01**

FIG. 1 is a perspective view of a vent cap which embodies my design;

[52] **U.S. Cl.** **D23/260**

FIG. 2 is a top plan view thereof;

[58] **Field of Search** D23/260, 265,
D23/266, 269; 138/89, 96 T, 96 R; 220/295,
293, DIG. 33

FIG. 3 is a bottom plan view thereof;

FIG. 4 is a front elevational view thereof;

FIG. 5 is a rear elevational view thereof;

FIG. 6 is a left side elevational view thereof; and,

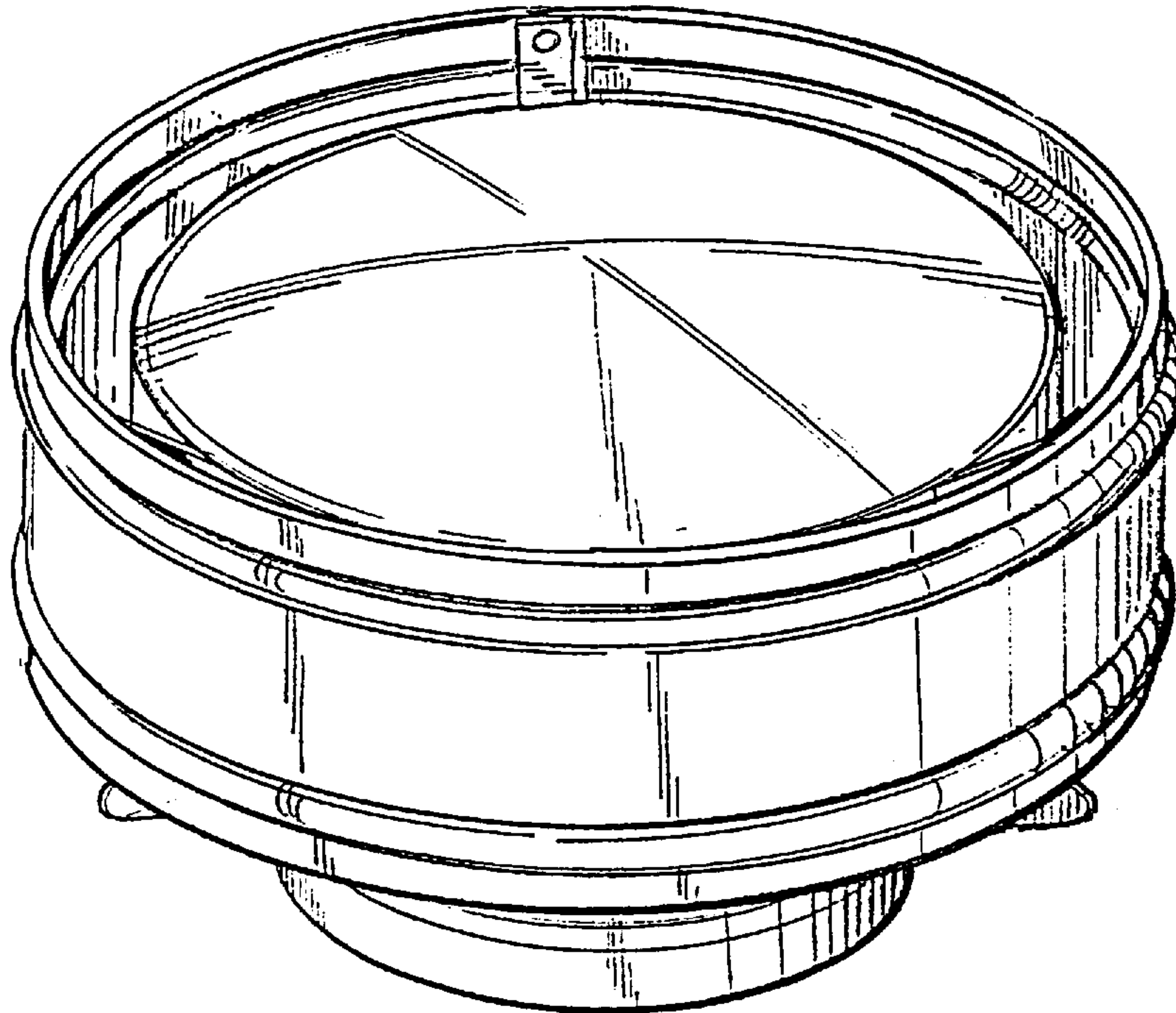
FIG. 7 is a right side elevational view thereof.

[56] **References Cited**

U.S. PATENT DOCUMENTS

D. 257,057 9/1980 Zogsdon D23/260
D. 311,056 10/1990 Patterson D23/260

1 Claim, 3 Drawing Sheets



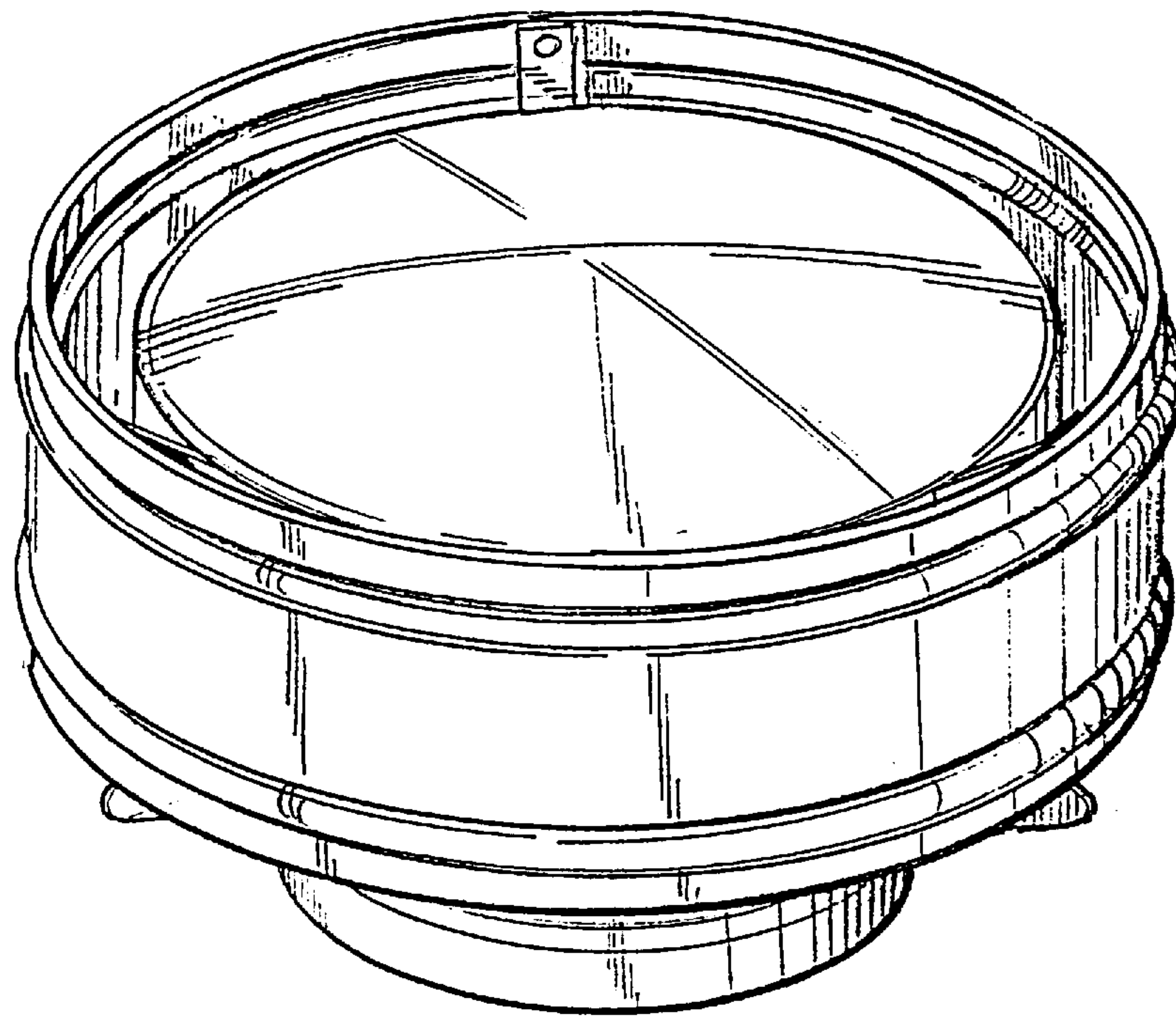


Fig. 1

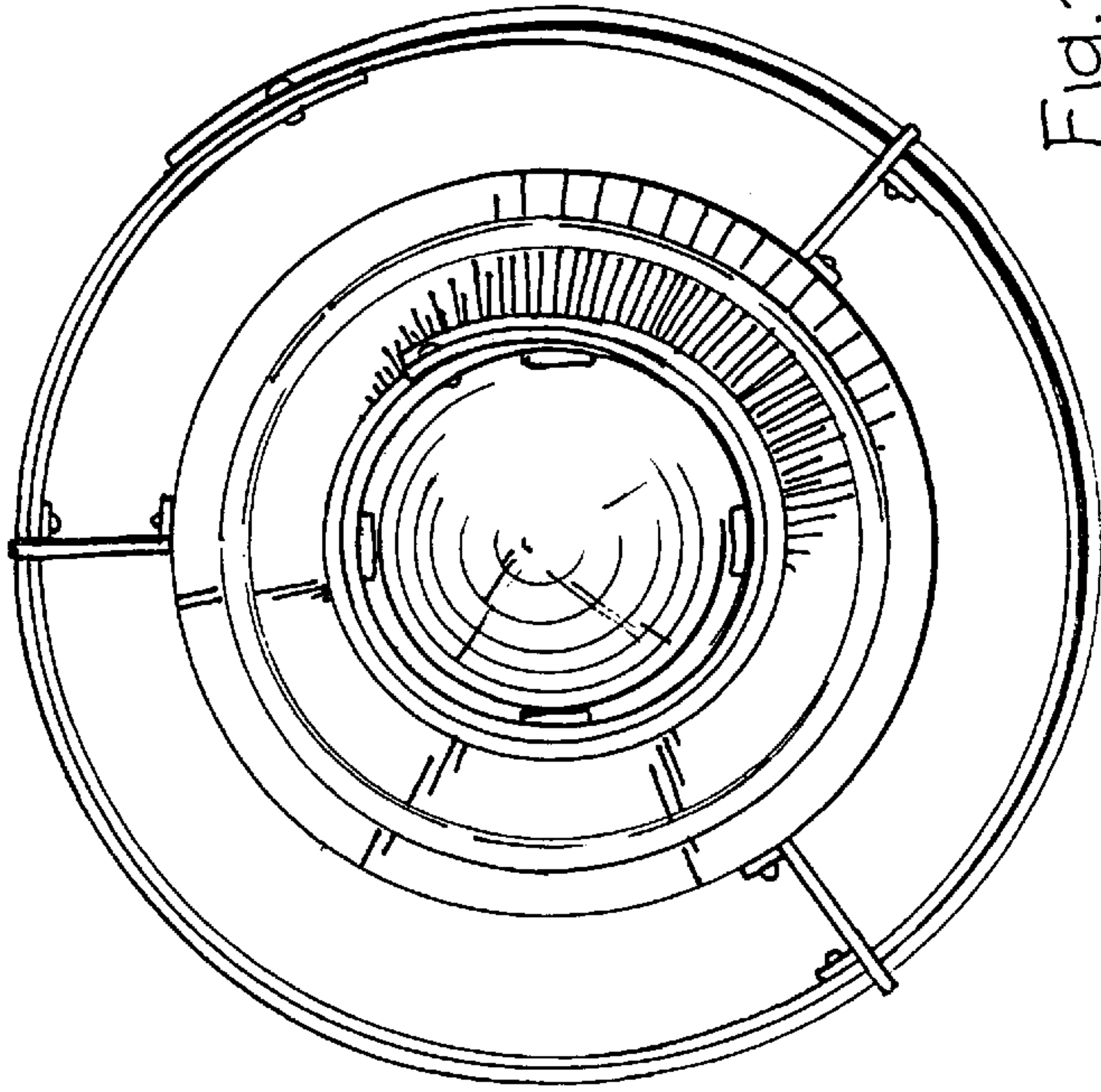


Fig. 3

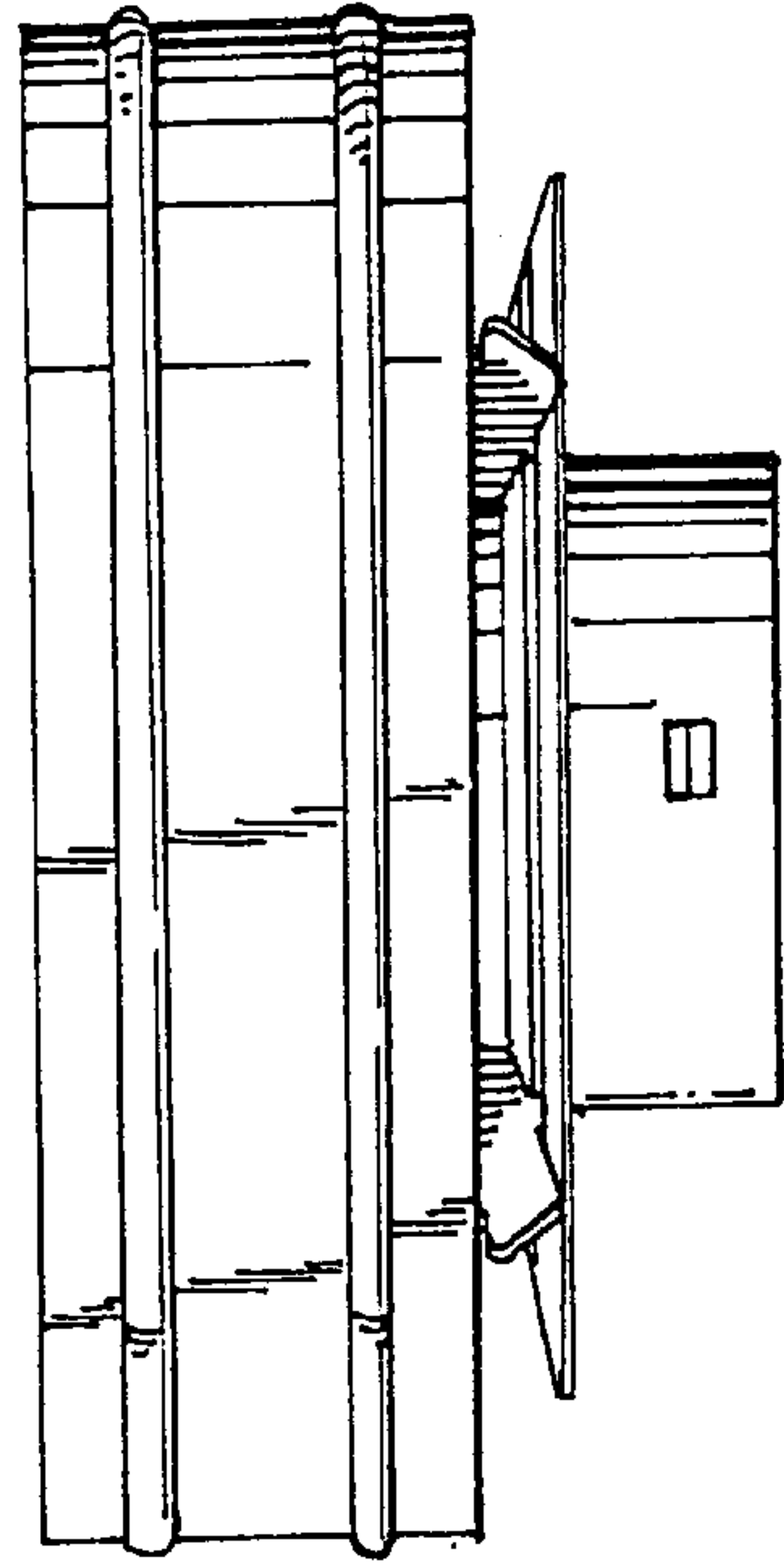


Fig. 5

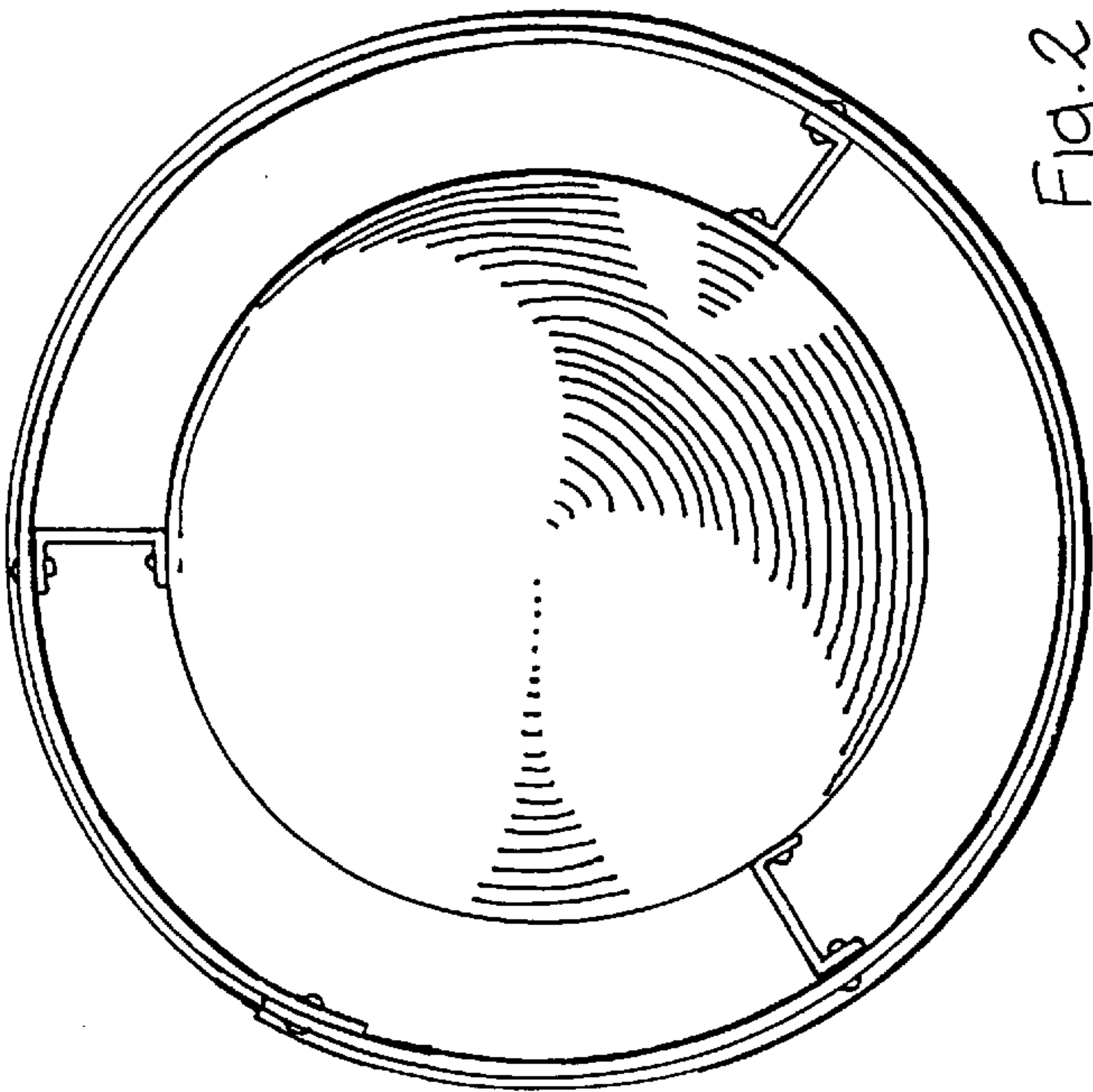


Fig. 2

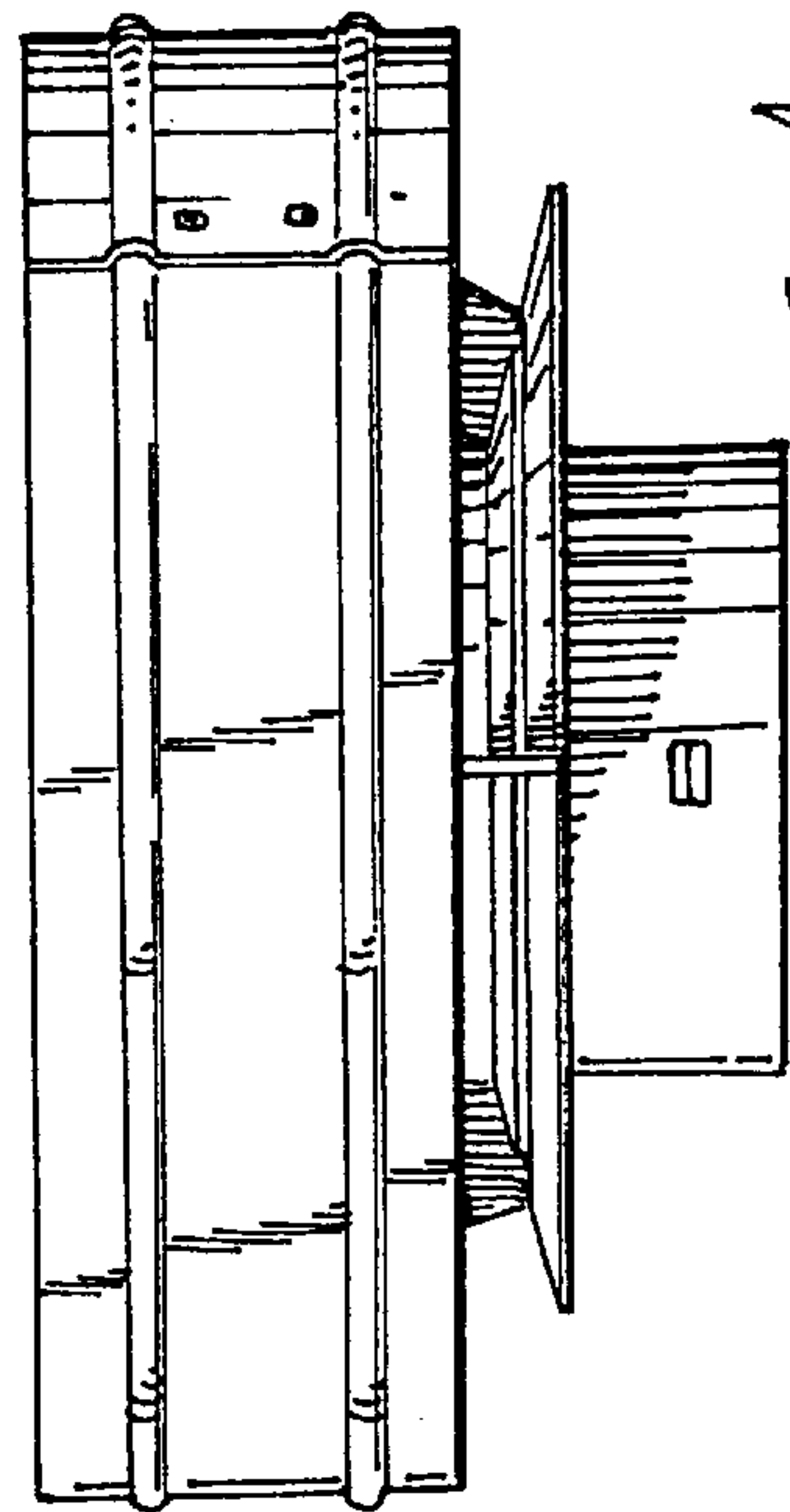


Fig. 4

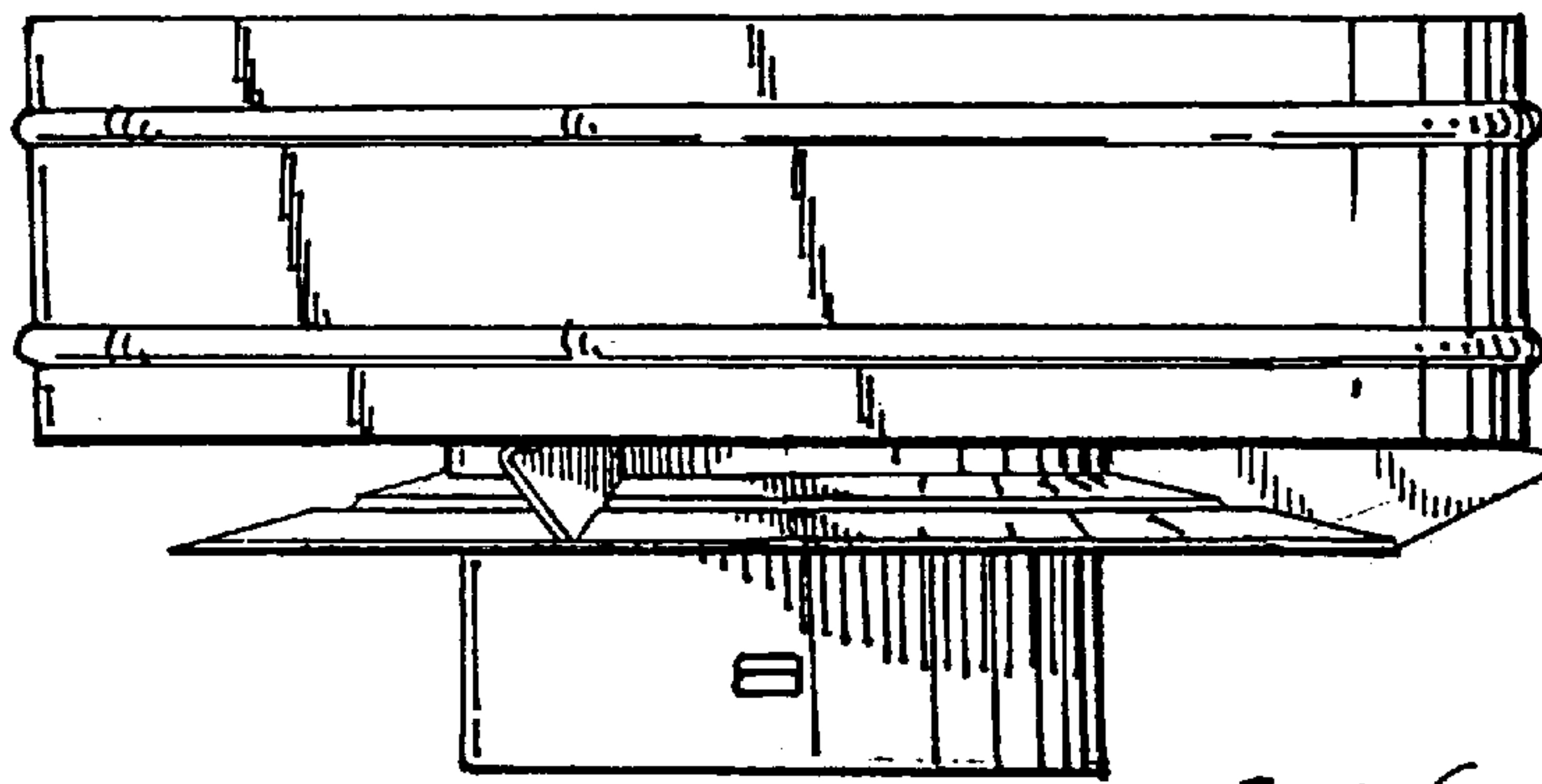


Fig. 6

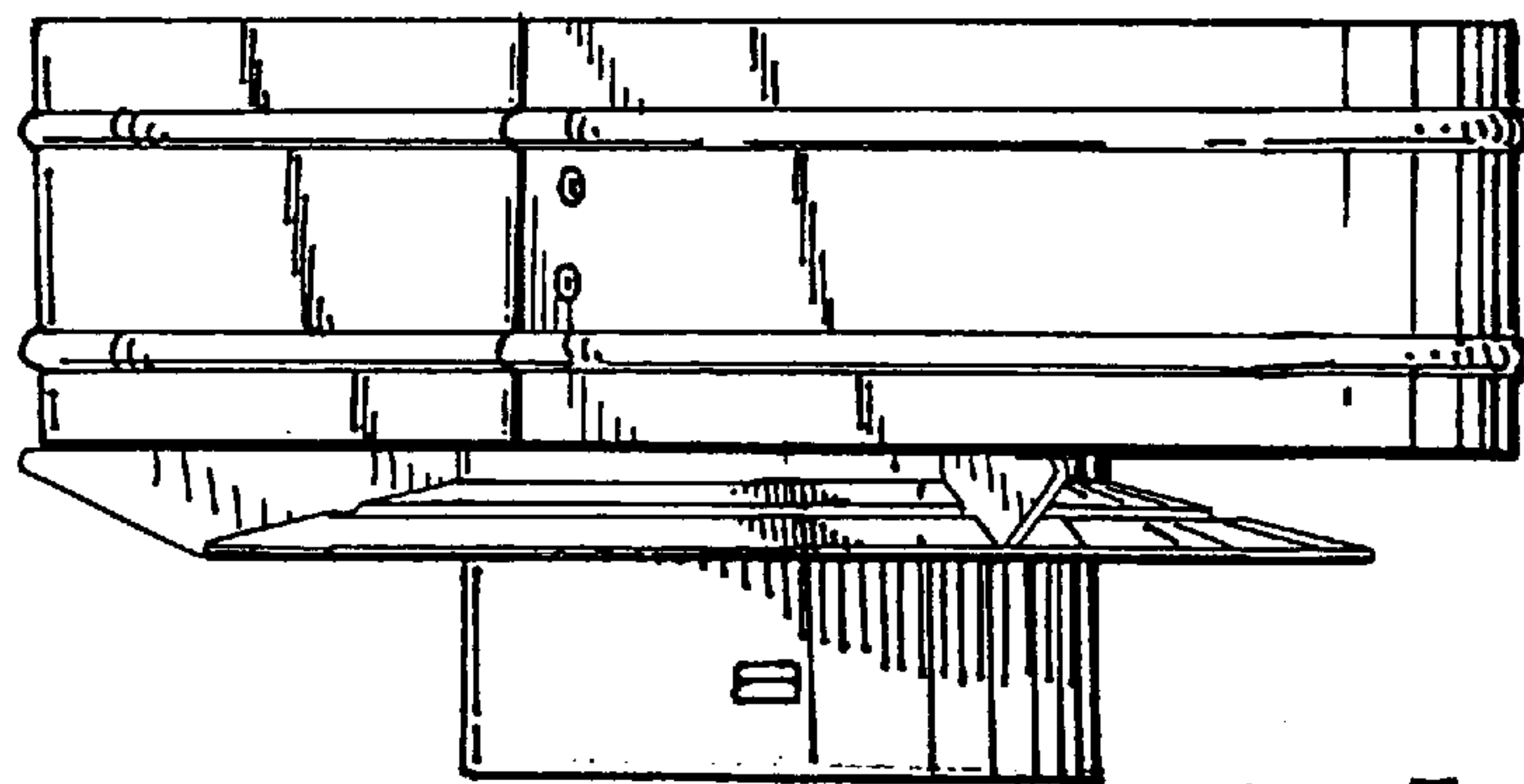


Fig. 7