



US00D403751S

United States Patent [19]

Nguyen

[11] **Patent Number:** **Des. 403,751**

[45] **Date of Patent:** ****Jan. 5, 1999**

[54] **SPOUT**

[75] Inventor: **Jack T. Nguyen**, Ontario, Calif.

[73] Assignee: **Emhart Inc.**, Newark, Del.

[**] Term: **14 Years**

[21] Appl. No.: **78,260**

[22] Filed: **Oct. 23, 1997**

[51] **LOC (6) Cl.** **23-01**

[52] **U.S. Cl.** **D23/255**

[58] **Field of Search** D23/238-243,
D23/250-257; 4/675-678; 137/801

[56] **References Cited**

U.S. PATENT DOCUMENTS

D. 219,740	1/1971	Niemann	D23/255
D. 227,363	6/1973	Genaro	D23/255
D. 227,467	6/1973	Genaro	D23/255
D. 266,349	9/1982	Piesco	D23/255
D. 266,785	11/1982	Thompson	D23/255
D. 291,116	7/1987	Haug et al.	D23/285
4,107,046	8/1978	Corder	.	
5,083,589	1/1992	Wilcock	.	
5,107,896	4/1992	Otto	.	
5,139,050	8/1992	Otto	.	

5,145,114 9/1992 Mönch .
5,279,329 1/1994 Pippel .
5,634,220 6/1997 Chiu .

Primary Examiner—Louis S. Zarfes
Assistant Examiner—Eric Watterson
Attorney, Agent, or Firm—Harold Weinstein

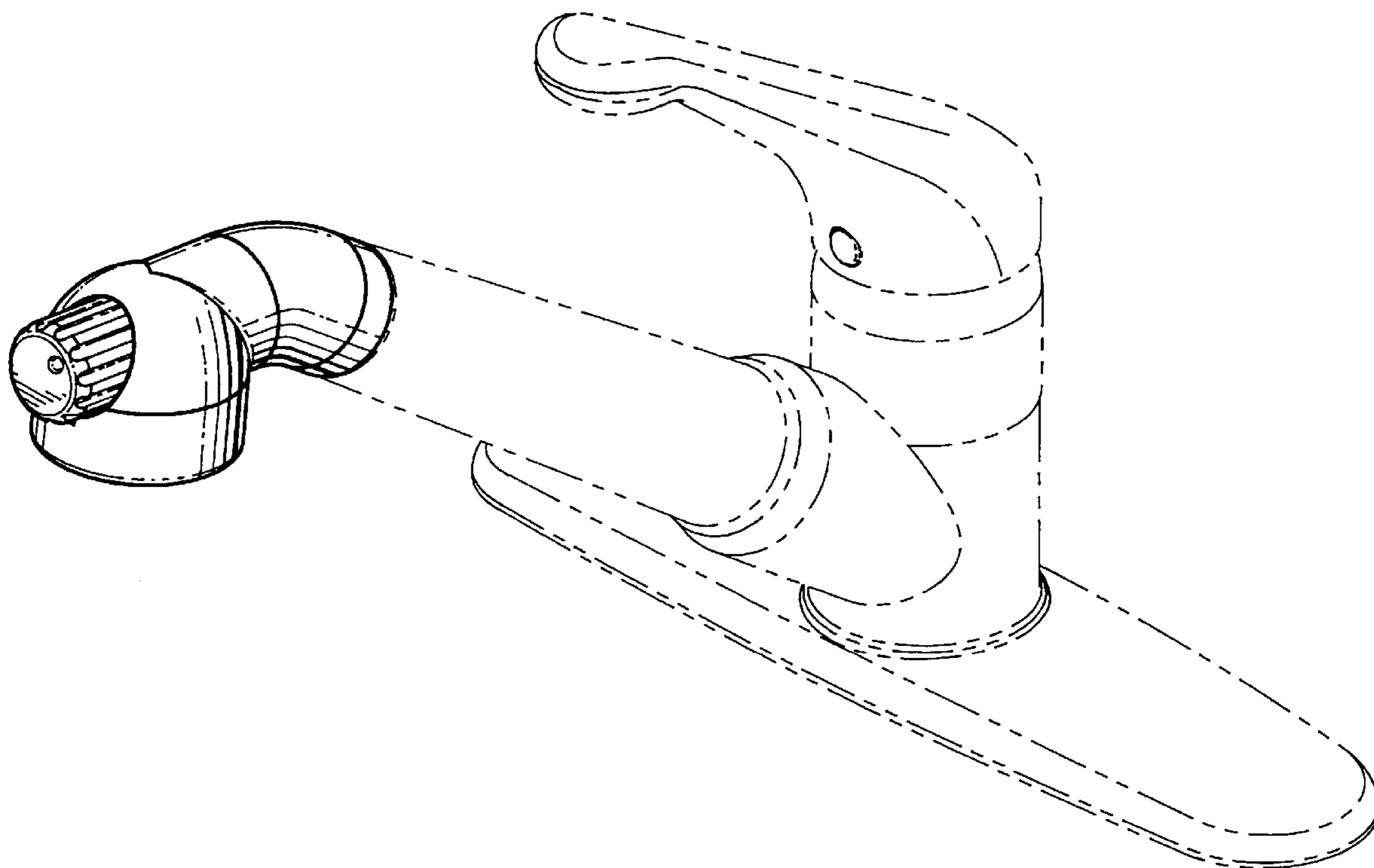
[57] **CLAIM**

The ornamental design for spout, as shown and described.

DESCRIPTION

FIG. 1 is a perspective view of our new design of a spout; FIG. 2 is a front elevational view of our new design of the spout; FIG. 3 is a rear elevational view of our new design of the spout; FIG. 4 is a right elevational view of our new design of the spout; FIG. 5 is a left elevational view of our new design of the spout; FIG. 6 is a top plan view of our new design of the spout; and, FIG. 7 is a bottom plan view of our new design of the spout. The broken line representation in the drawings of the faucet base, handle and spout (partial) is for illustrative purposes only and forms no part of the claimed design.

1 Claim, 6 Drawing Sheets



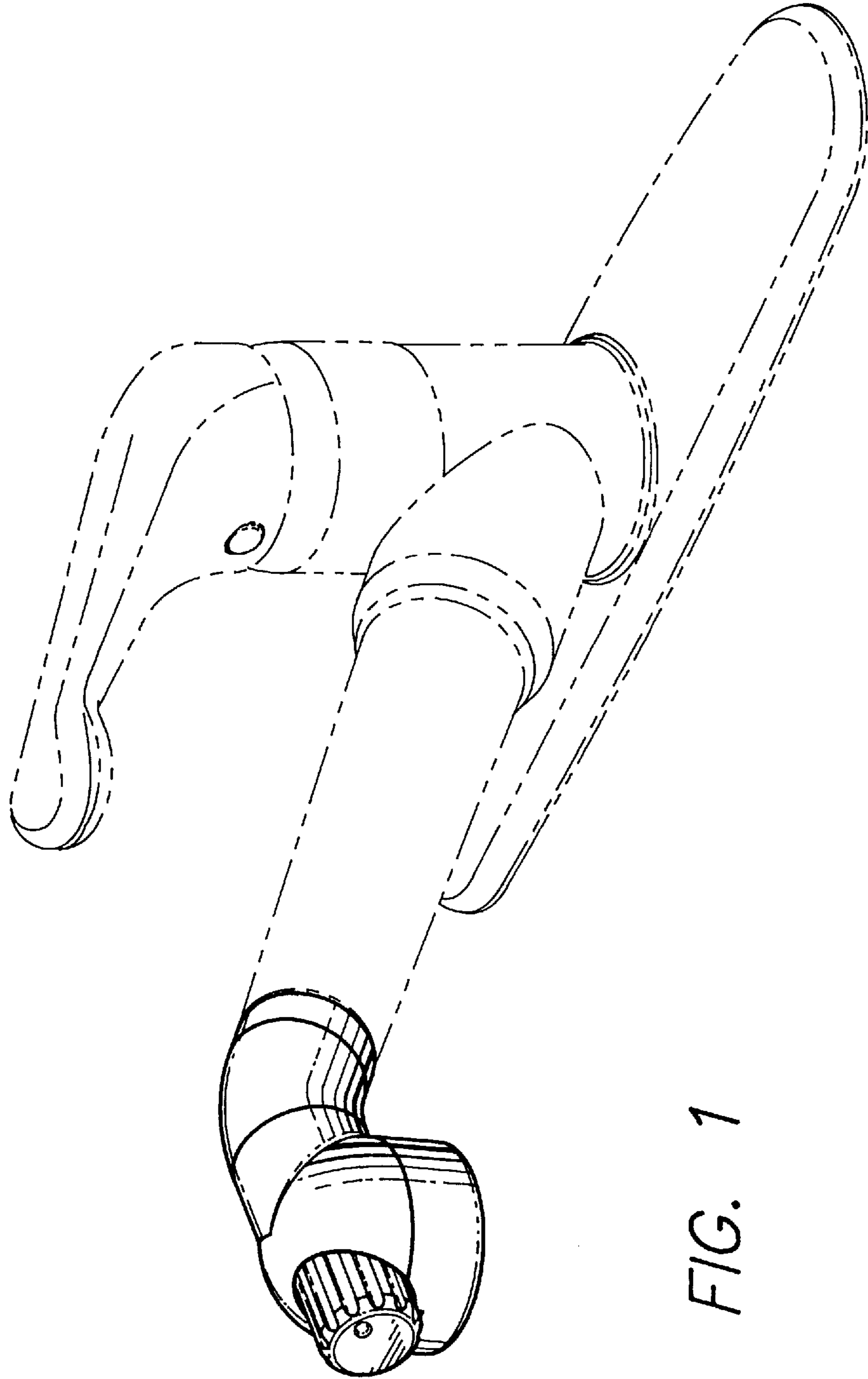


FIG. 1

FIG. 2

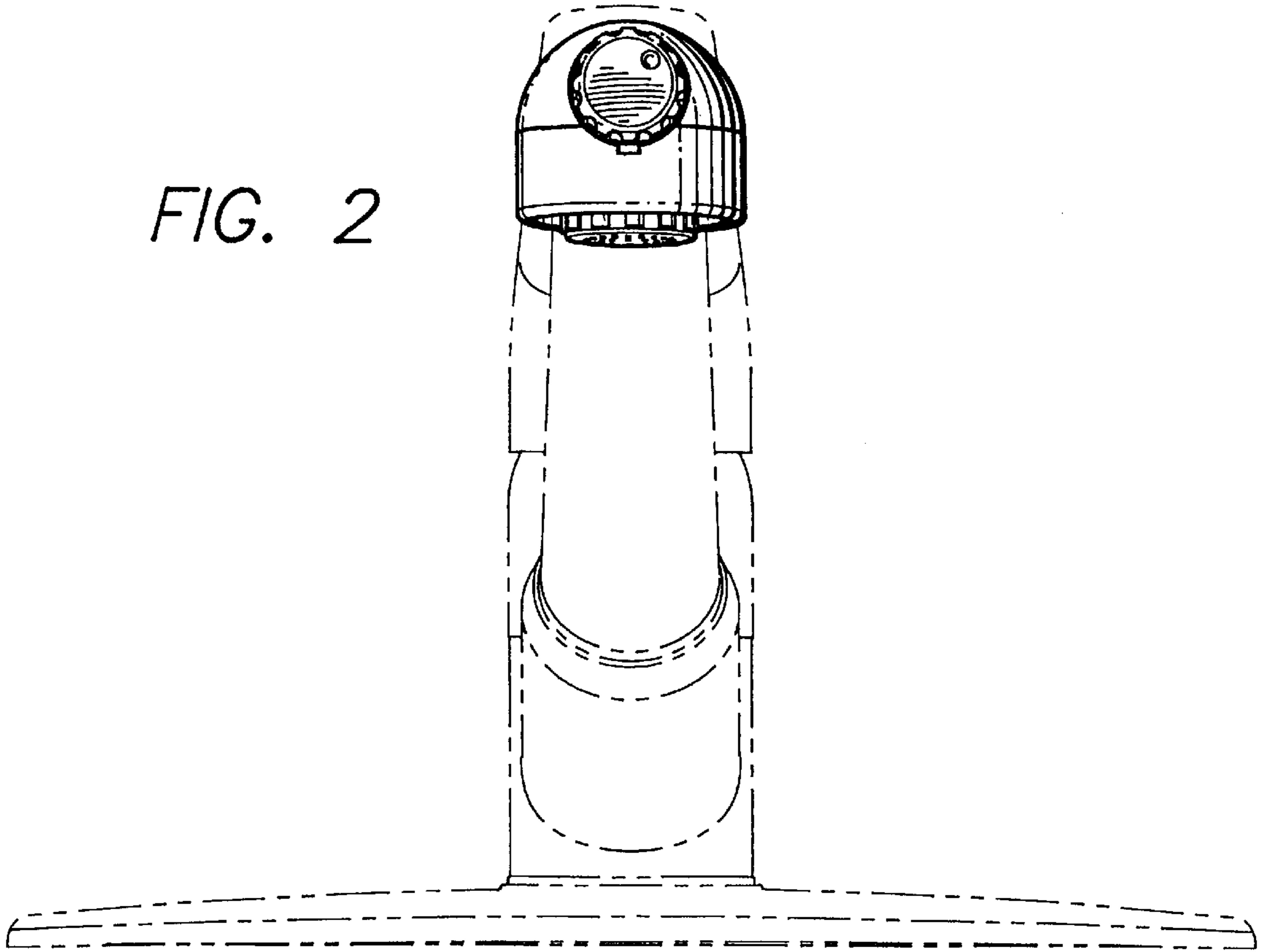
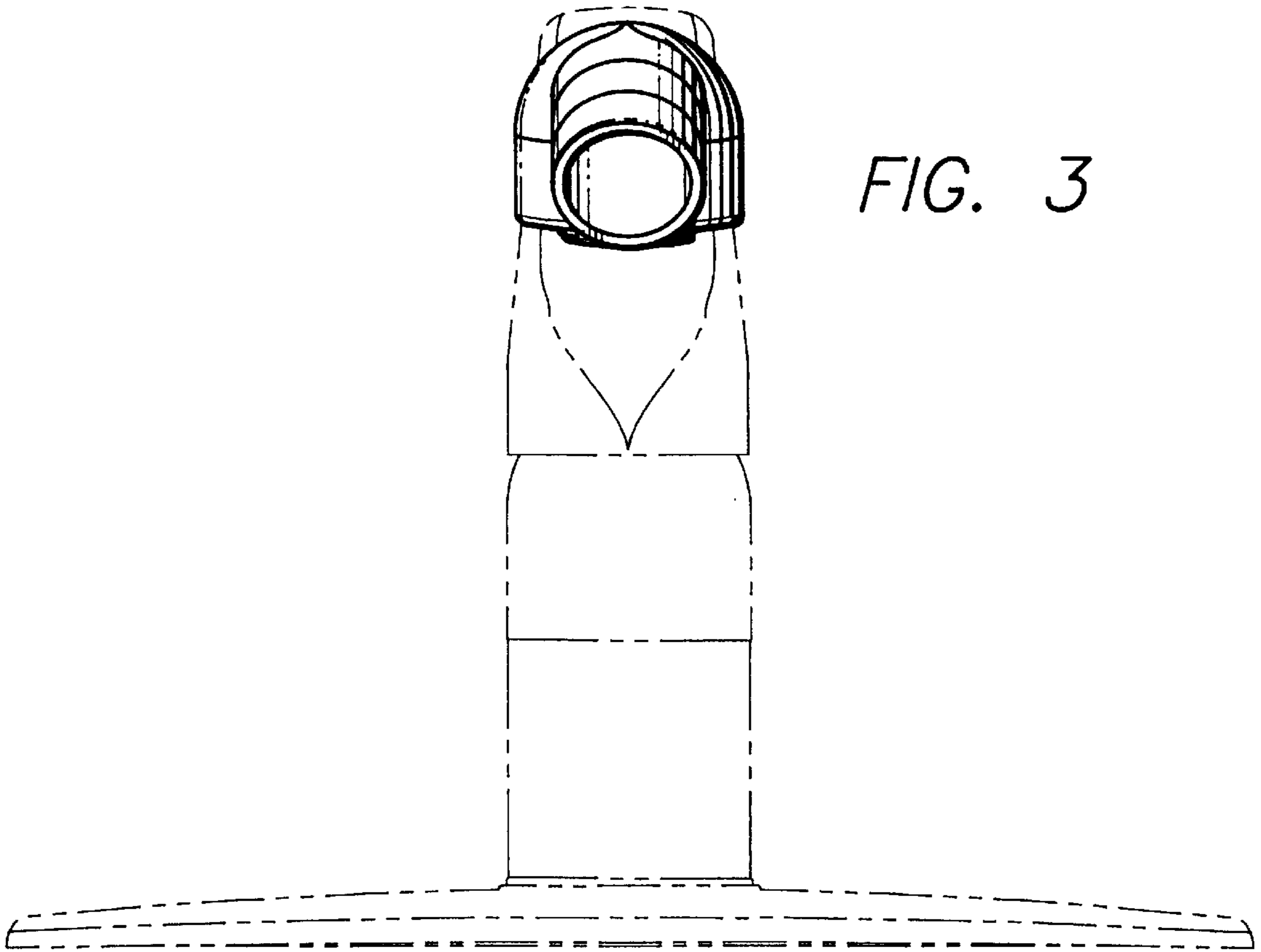


FIG. 3



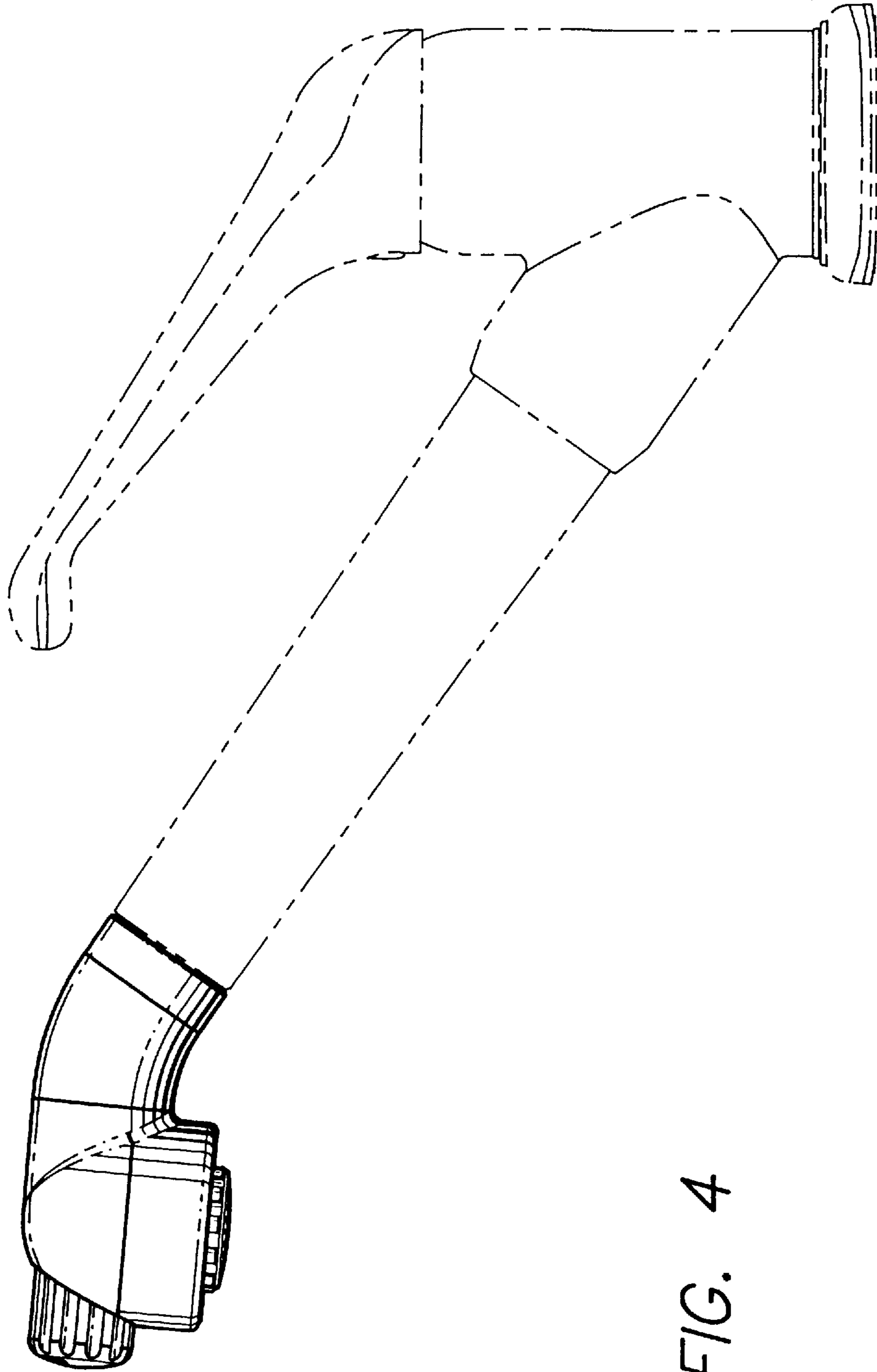


FIG. 4

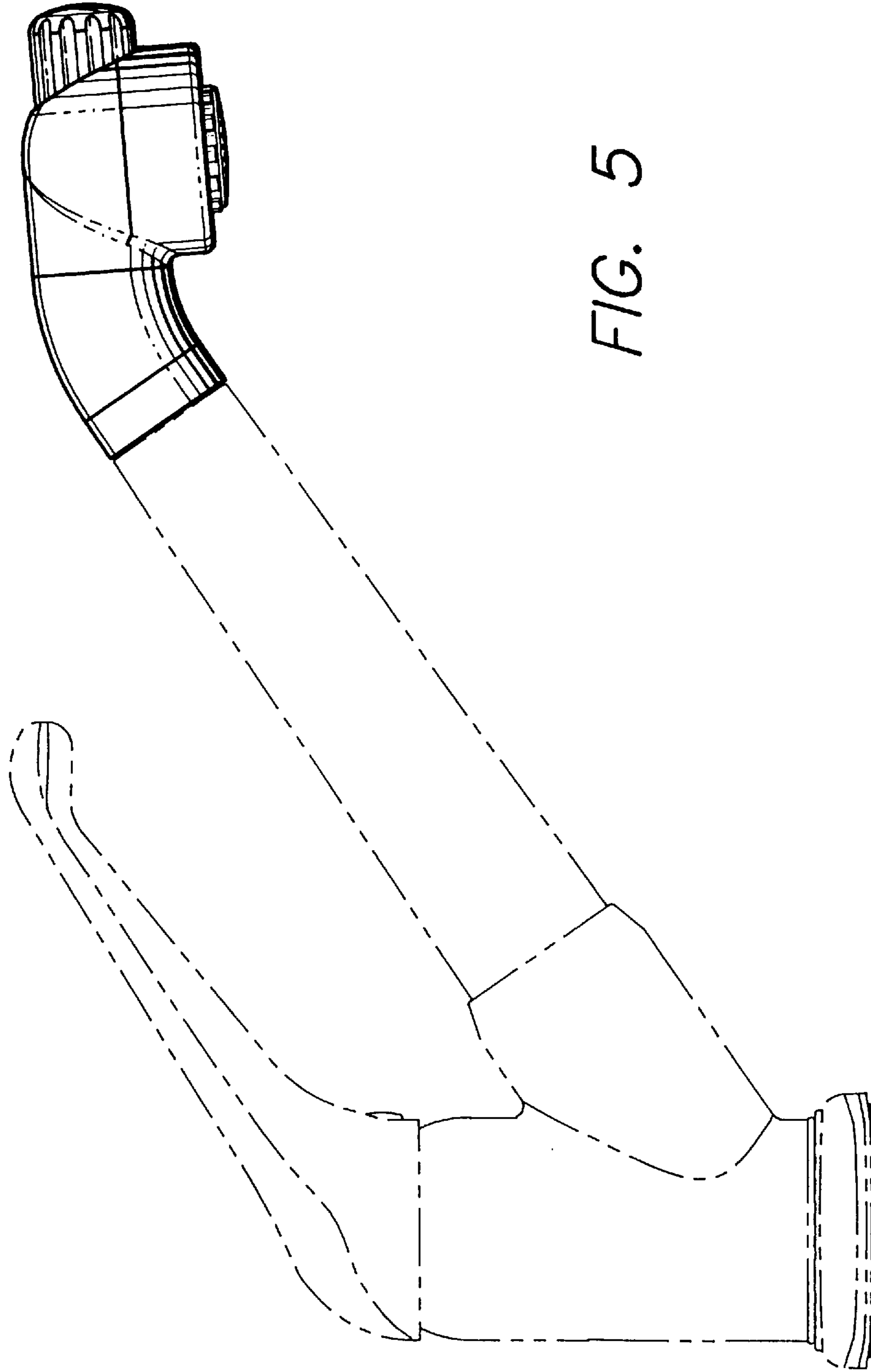
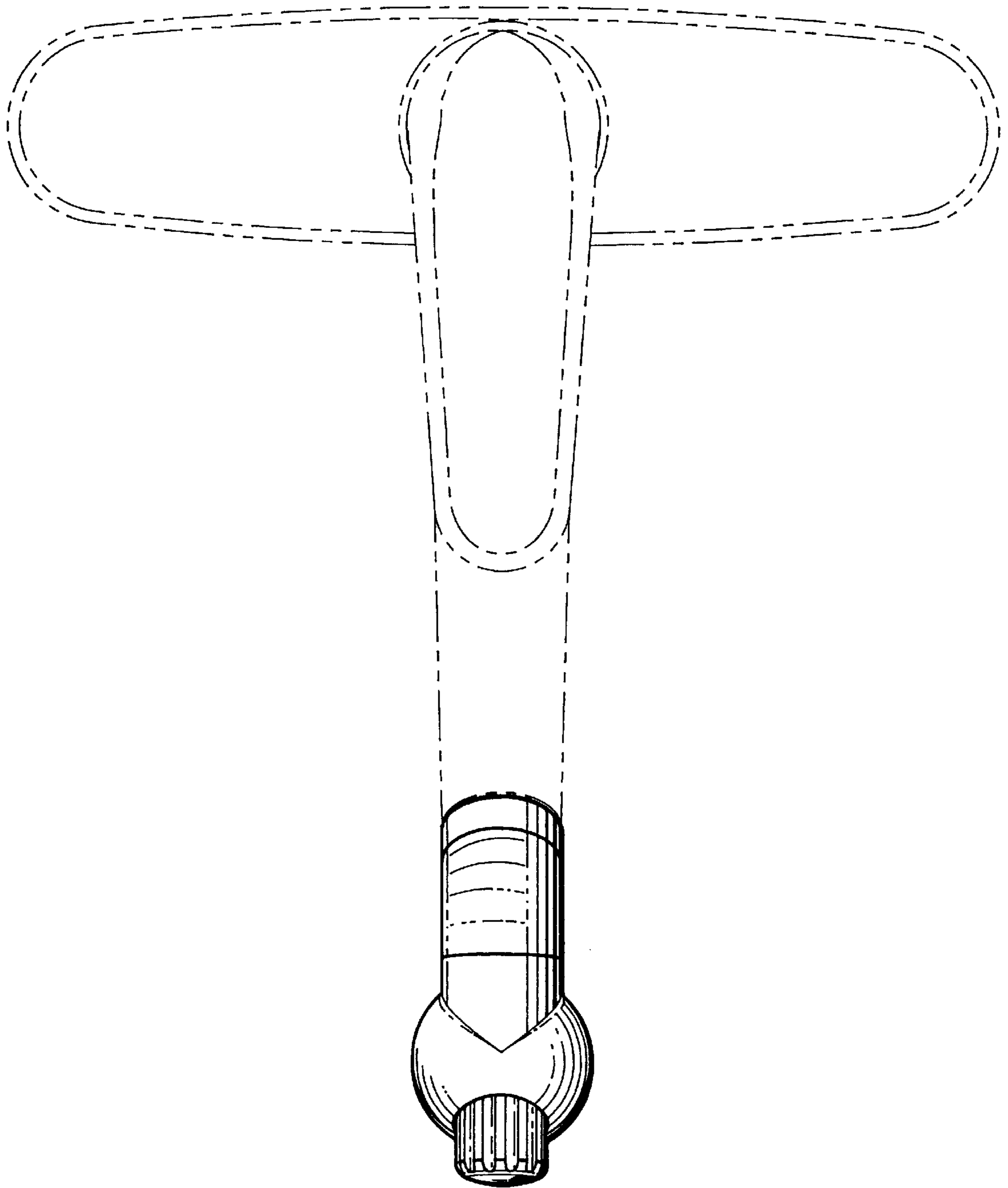


FIG. 5

FIG. 6



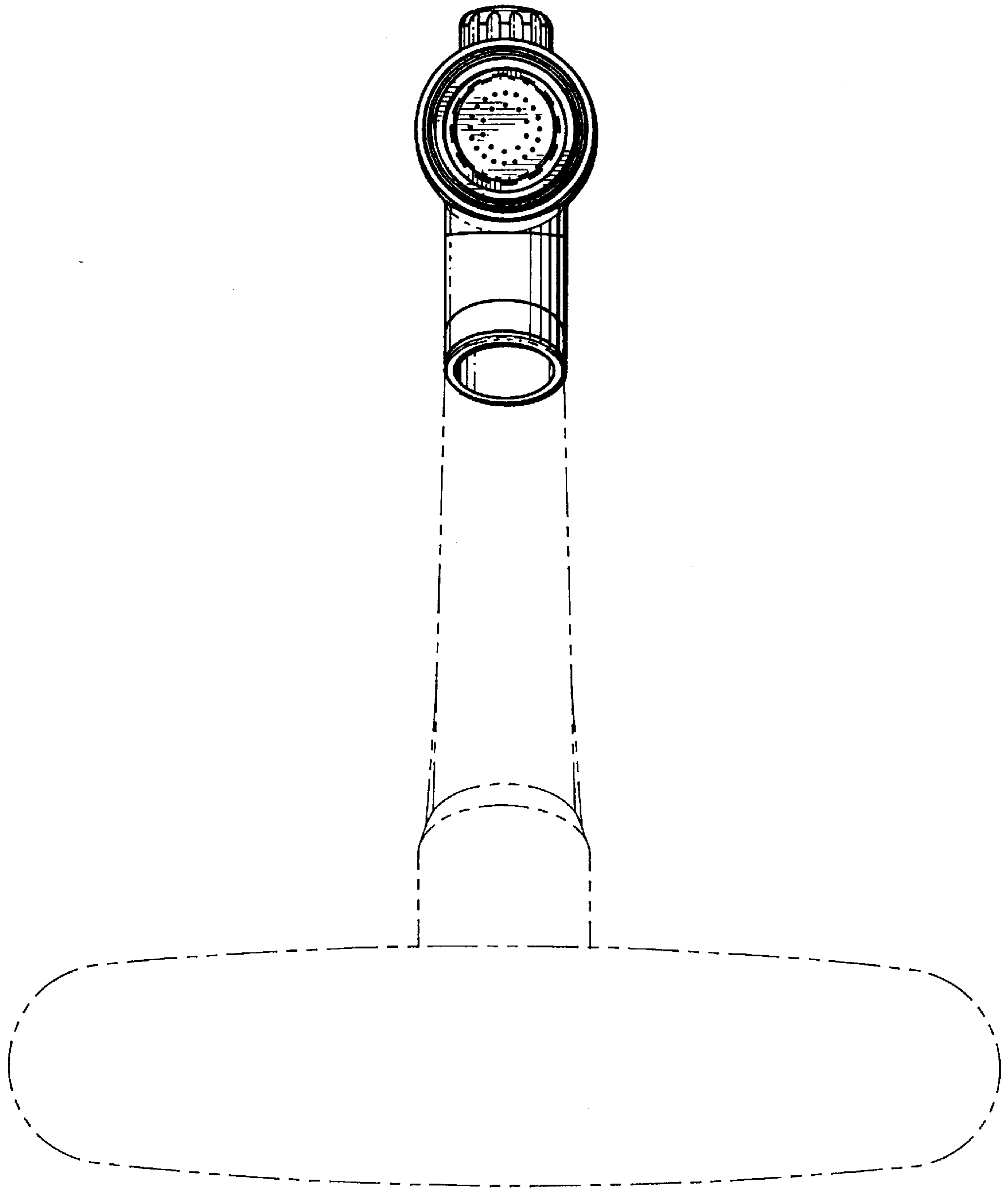


FIG. 7