



US00D403748S

**United States Patent** [19]  
**Lord**

[11] **Patent Number: Des. 403,748**

[45] **Date of Patent: \*\*Jan. 5, 1999**

[54] **TWO HANDLE FAUCET SPOUT CAP**

[75] Inventor: **Judd A. Lord**, Carmel, Ind.

[73] Assignee: **Masco Corporation of Indiana**, Indianapolis, Ind.

[\*\*] Term: **14 Years**

[21] Appl. No.: **75,807**

[22] Filed: **Aug. 22, 1997**

[51] **LOC (6) Cl.** ..... **23-01**

[52] **U.S. Cl.** ..... **D23/238; D23/260**

[58] **Field of Search** ..... **D23/237-243, D23/250-257, 260, 261; 4/244.2, 675-678; D8/397, 399, 394; 220/724, 726; 137/377, 381, 382, 382.5, 375; 138/89, 89.1-89.5, 96 R, 96 T; 16/121**

[56] **References Cited**

**U.S. PATENT DOCUMENTS**

D. 148,252	12/1947	Rausch	.....	D23/250
D. 170,468	9/1953	Gries	.....	D8/397
D. 269,696	7/1983	Niemann	.....	D23/250
D. 288,902	3/1987	Lewis	.....	D8/397
D. 340,007	10/1993	Gershenson	.....	D8/394
D. 354,113	1/1995	Nortier et al.	.....	D23/233

D. 359,342	6/1995	Doughty et al.	.....	D23/241
D. 374,172	10/1996	Frattarola	.....	D8/397
D. 384,133	9/1997	Doughty et al.	.....	D23/241
4,103,701	8/1978	Jeng	.....	137/375
4,593,430	6/1986	Spangler et al.	.....	16/121

**OTHER PUBLICATIONS**

Delta Full Line Catalog, p. 6 (admitted prior art).

*Primary Examiner*—Louis S. Zarfes

*Assistant Examiner*—Eric Watterson

*Attorney, Agent, or Firm*—Myron B. Kapustij; Malcolm L. Sutherland

[57] **CLAIM**

The ornamental design for a two handle faucet spout cap, as shown and described.

**DESCRIPTION**

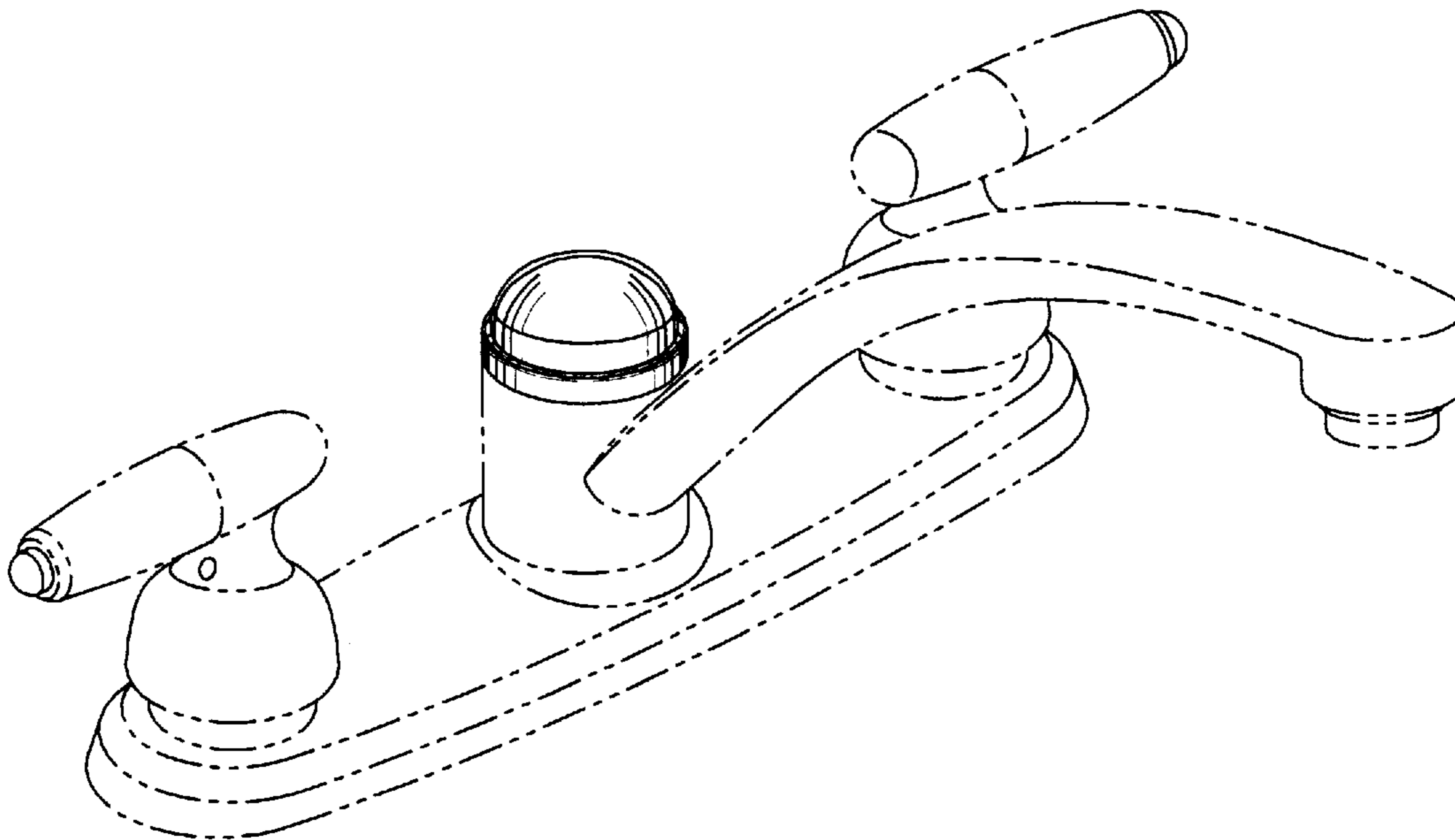
FIG. 1 is a top perspective view of a two handle faucet spout cap showing my new design;

FIG. 2 is a side elevational view thereof; and,

FIG. 3 is a top plan view thereof.

The broken line showing of the faucet and handles in FIG. 1 is for purposes of illustration only and forms no part of the claimed design.

**1 Claim, 1 Drawing Sheet**



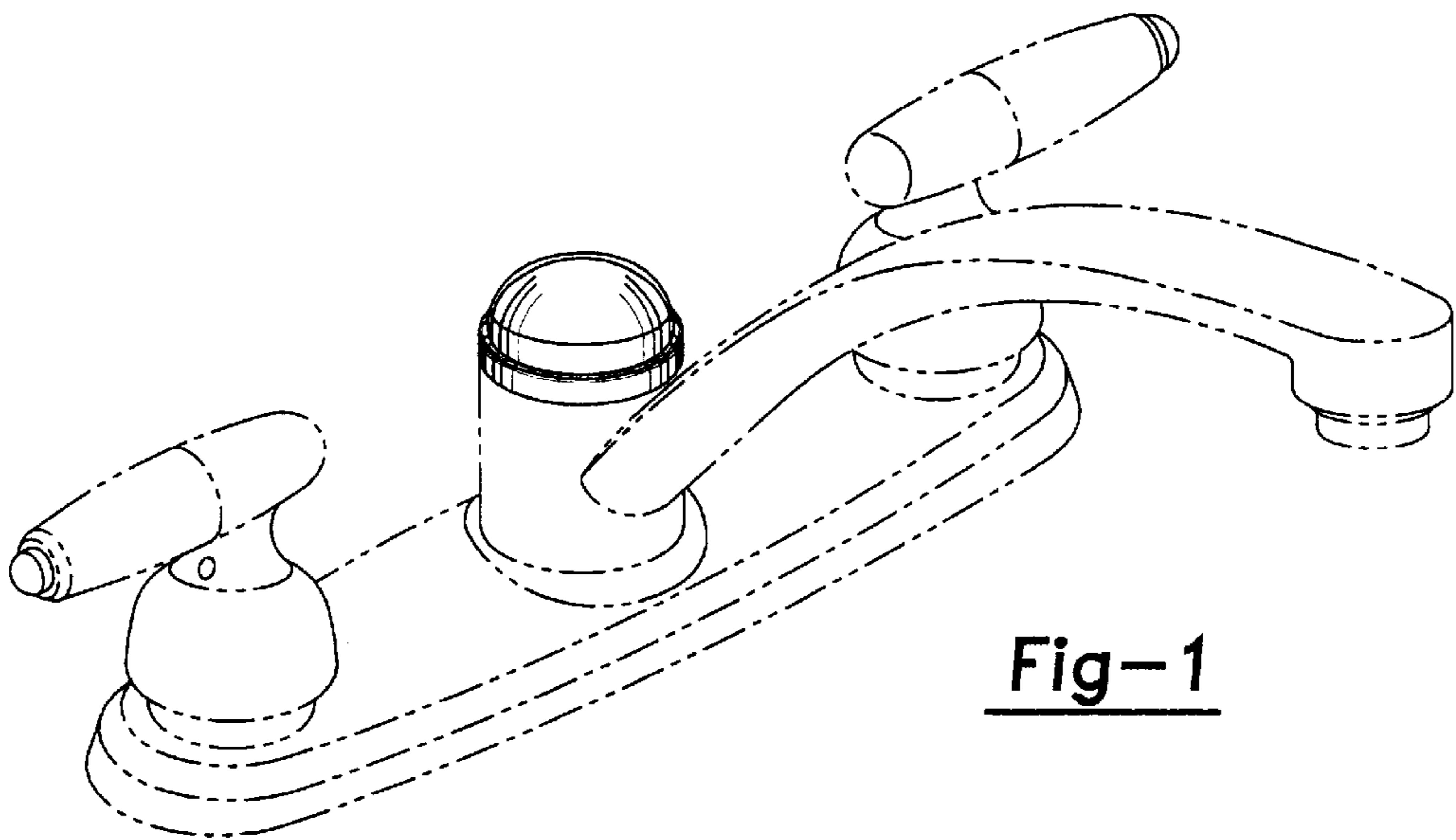


Fig-1

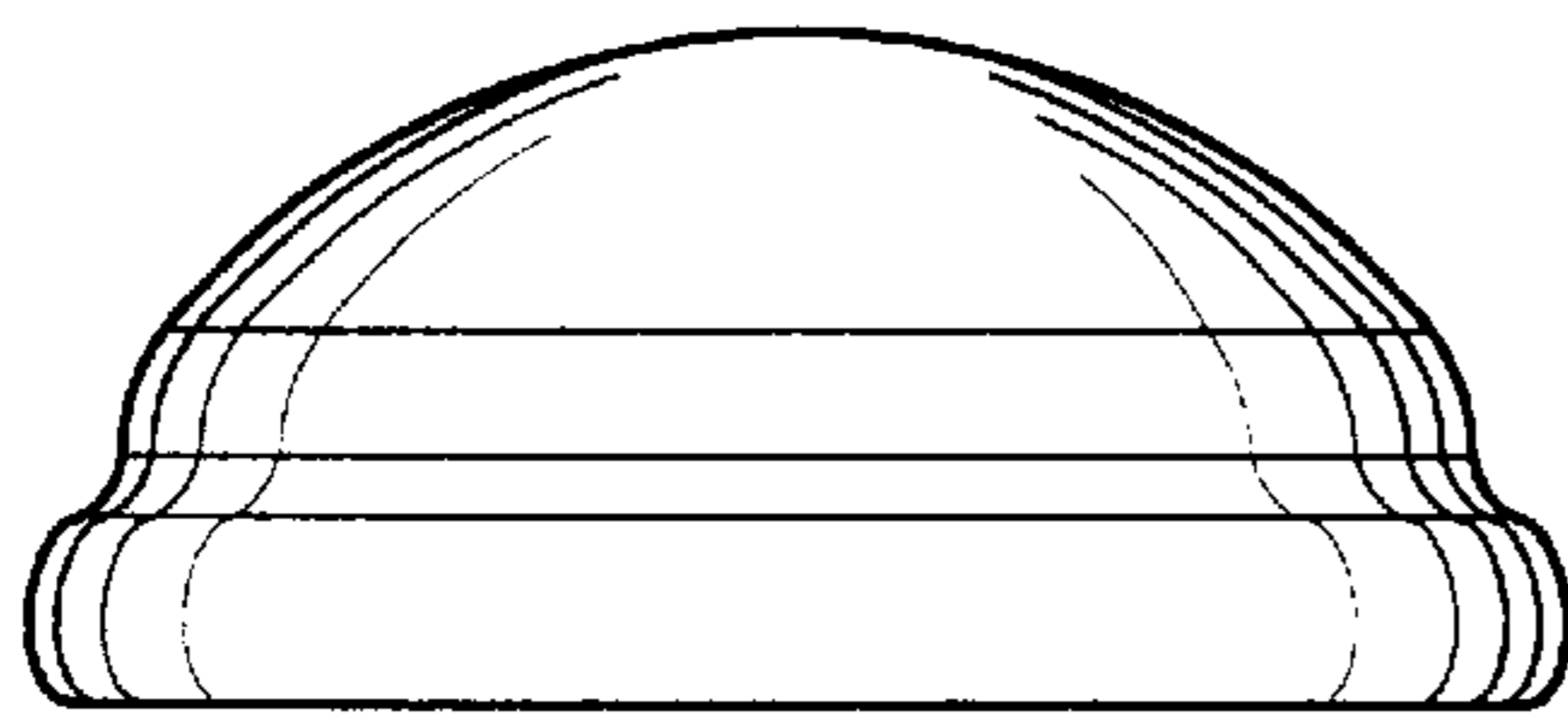


Fig-2

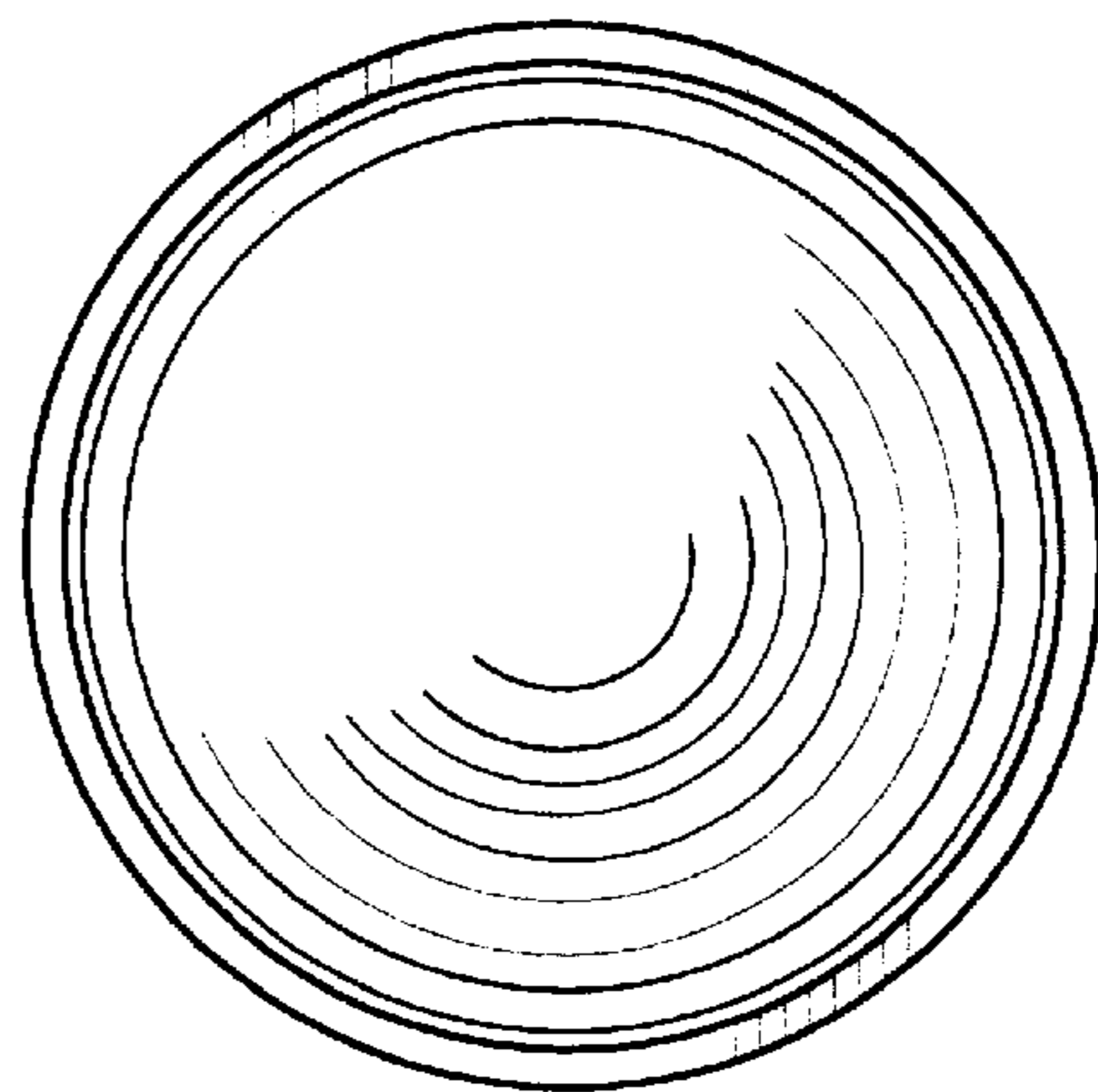


Fig-3