



US00D403745S

United States Patent [19]
Lobermeier

[11] **Patent Number: Des. 403,745**

[45] **Date of Patent: ***Jan. 5, 1999**

[54] **LEVER-HANDLE FAUCET WITH
EXTENDABLE SPIGOT**

D. 350,389 9/1994 Gottwald D23/238
D. 351,017 9/1994 Gottwald D23/238
D. 373,178 8/1996 Gottwald D23/238

[75] Inventor: **Hans Lobermeier**, Menden, Germany

[73] Assignee: **Friedrich Grohe AG**, Hemer, Germany

[*] Notice: The term of this patent shall not extend beyond the expiration date of Pat. No. Des. 390,918.

[**] Term: **14 Years**

Primary Examiner—Louis S. Zarfaz
Assistant Examiner—Eric Watterson
Attorney, Agent, or Firm—Herbert Dubno

[21] Appl. No.: **70,349**

[22] Filed: **May 7, 1997**

[30] **Foreign Application Priority Data**

Nov. 19, 1996 [DE] Germany M 960 09 980.1

[51] **LOC (6) Cl.** **23-01**

[52] **U.S. Cl.** **D23/238**

[58] **Field of Search** D23/238-243,
D23/250-257; 137/801; 4/675-678; D8/300,
308

[57] **CLAIM**

The ornamental design for a lever-handle faucet with extendable spigot, as shown and described.

DESCRIPTION

FIG. 1 is a top, front, left-side perspective view of a lever-handle faucet with extendable spigot showing my new design;

FIG. 2 is a top view thereof;

FIG. 3 is a left side elevational view thereof, the right side being mirror symmetrical thereto;

FIG. 4 is a bottom view thereof;

FIG. 5 is a front view thereof; and,

FIG. 6 is a rear view thereof.

[56] **References Cited**

U.S. PATENT DOCUMENTS

D. 350,388 9/1994 Gottwald D23/238

1 Claim, 3 Drawing Sheets

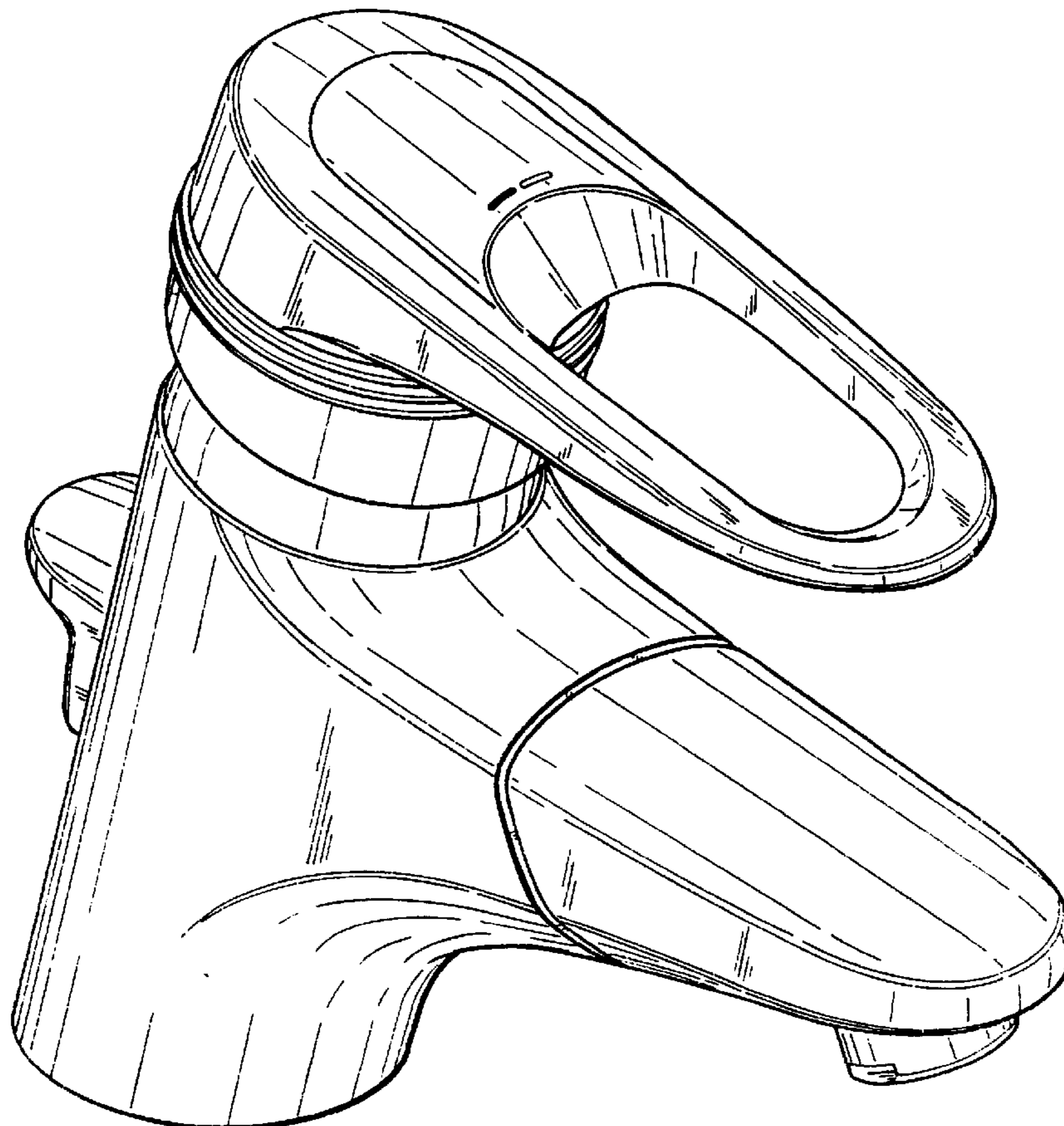


FIG. 1

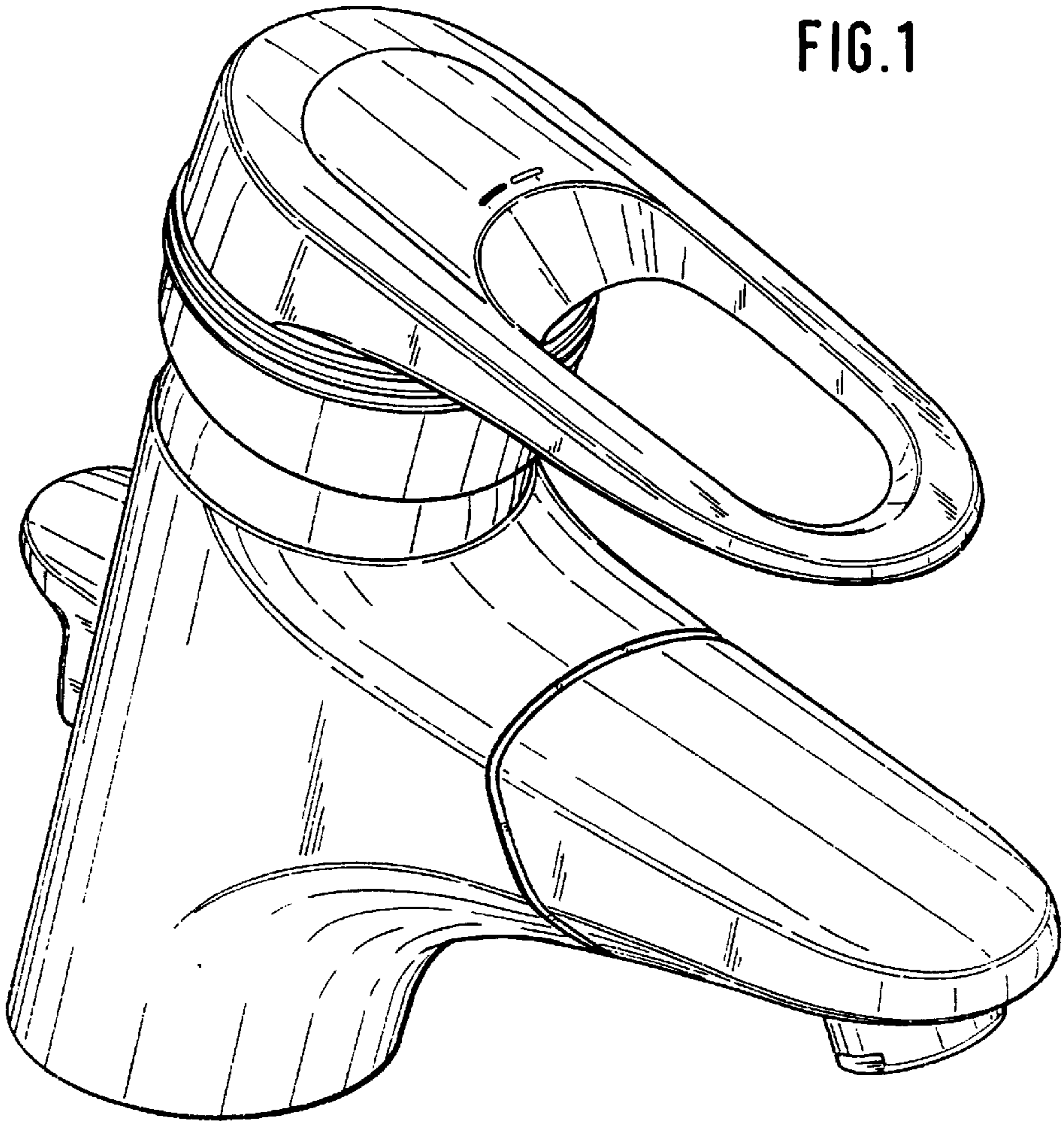
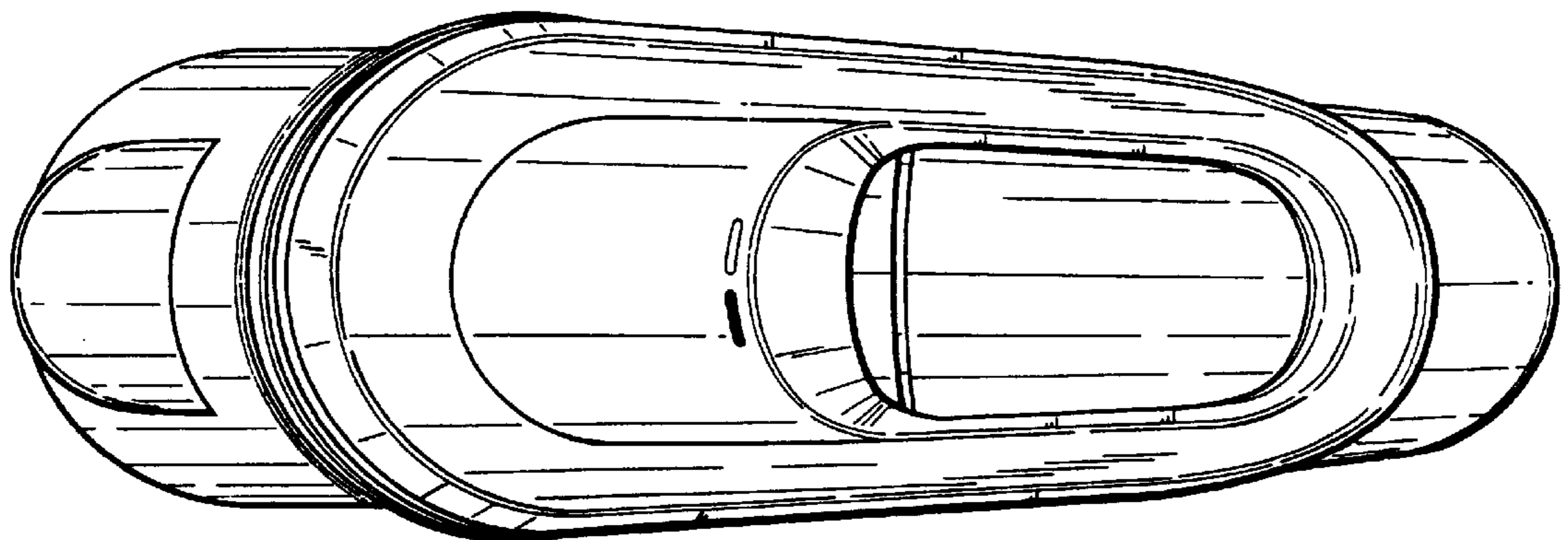


FIG. 2



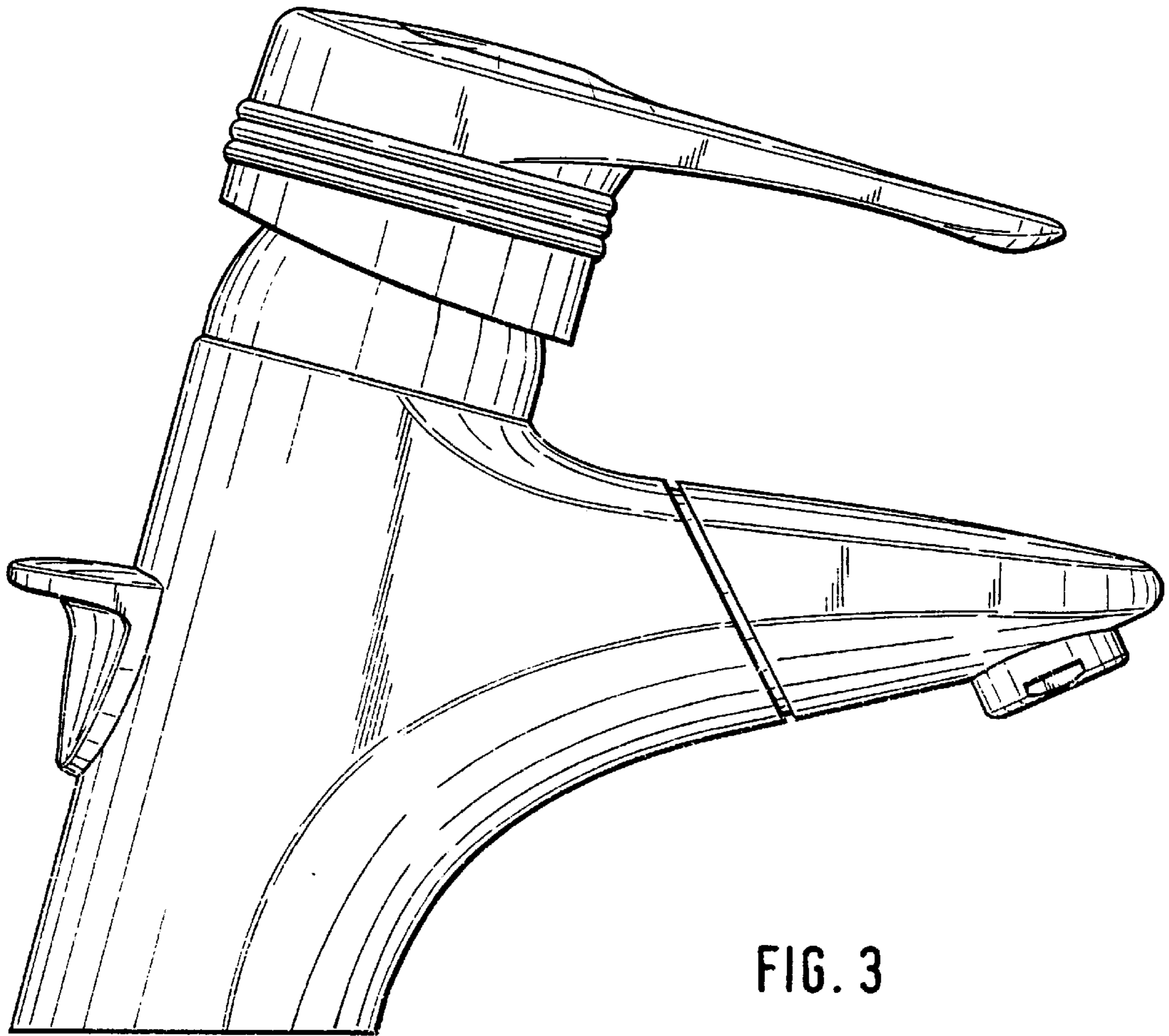


FIG. 3

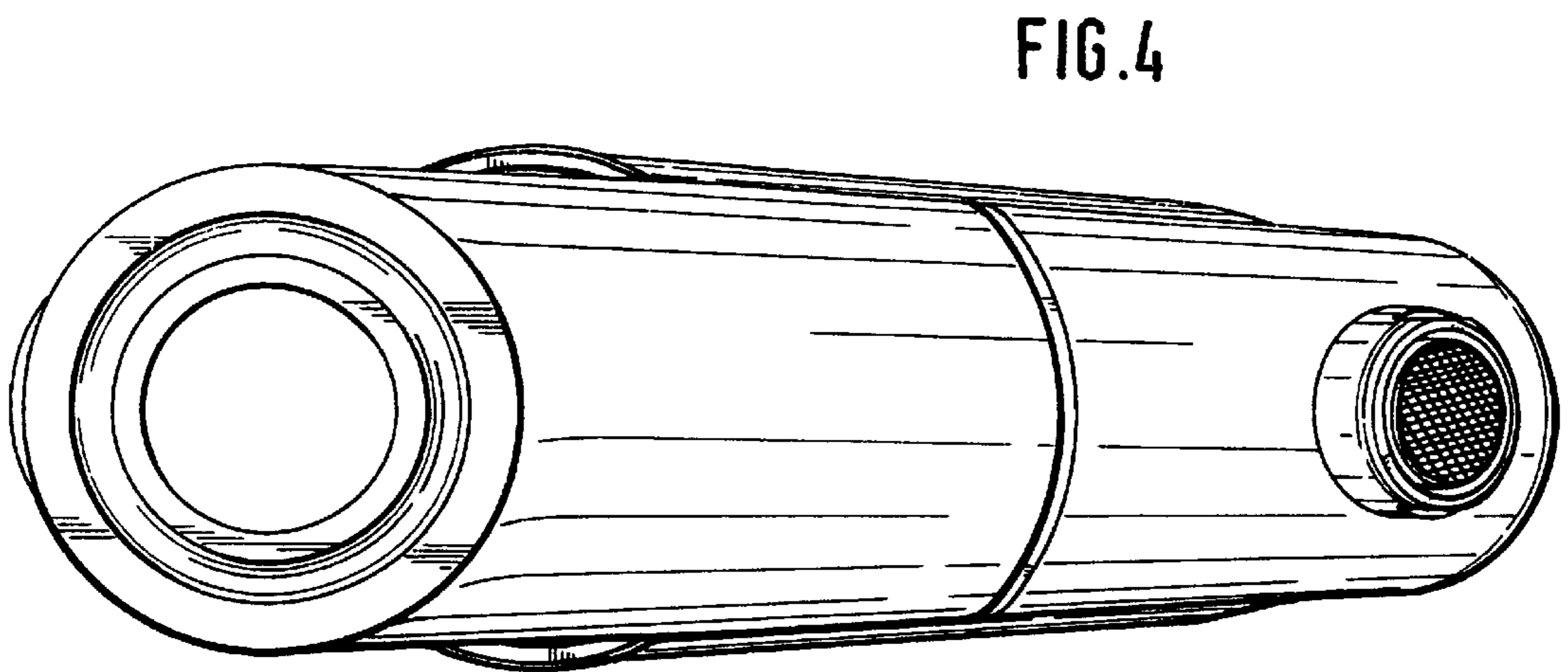


FIG. 4

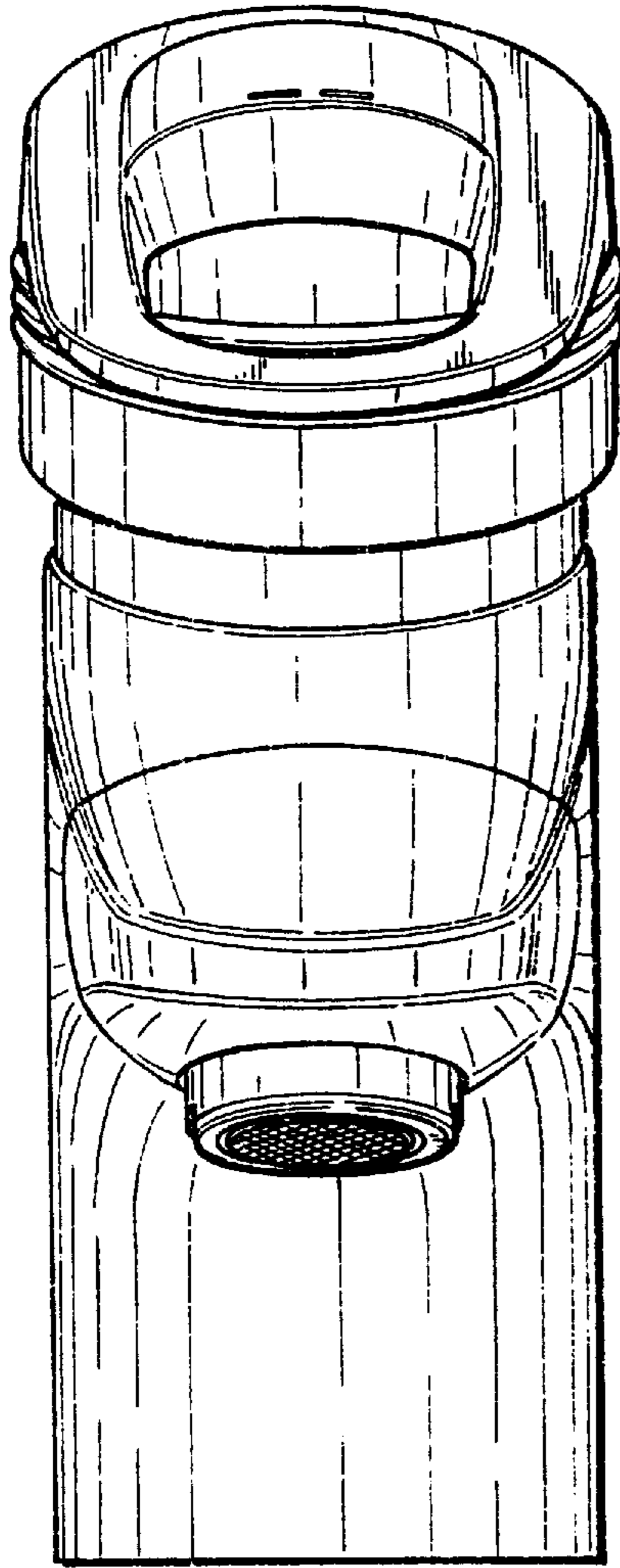


FIG. 5

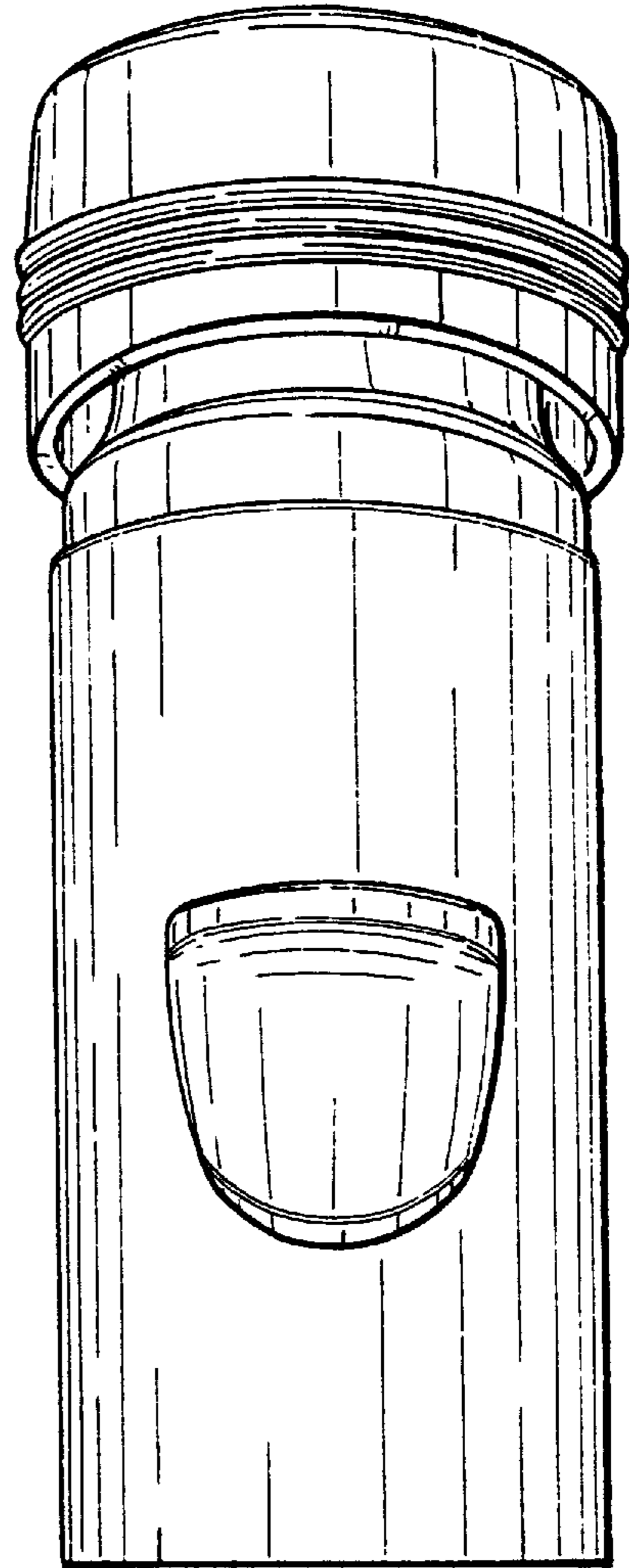


FIG. 6