



US00D403744S

United States Patent [19] Hsueh

[11] **Patent Number: Des. 403,744**

[45] **Date of Patent: **Jan. 5, 1999**

[54] **SPRINKLER**

[76] Inventor: **Mei Hsueh Hsueh**, No. 10, Fang Dong Road, Wen Gin Tsuen, Fang Yuan Hsiang, Chang Hua Hsien, Taiwan

[**] Term: **14 Years**

[21] Appl. No.: **82,375**

[22] Filed: **Oct. 29, 1997**

[51] **LOC (6) Cl.** **23-01**

[52] **U.S. Cl.** **D23/216**

[58] **Field of Search** D23/213, 214-216; 239/240-242, 222.13, 222.21, 222.19

[56] **References Cited**

U.S. PATENT DOCUMENTS

- D. 185,102 5/1959 Smith D23/216
- D. 269,367 6/1983 Mackay et al. D23/216
- D. 281,996 12/1985 Hayes D23/216

- D. 366,308 1/1996 Goodman et al. D23/216
- 4,457,471 7/1984 Roman 239/242
- 4,568,023 2/1986 Hayes 239/242

Primary Examiner—Alan P. Douglas
Assistant Examiner—Robin N. Taylor

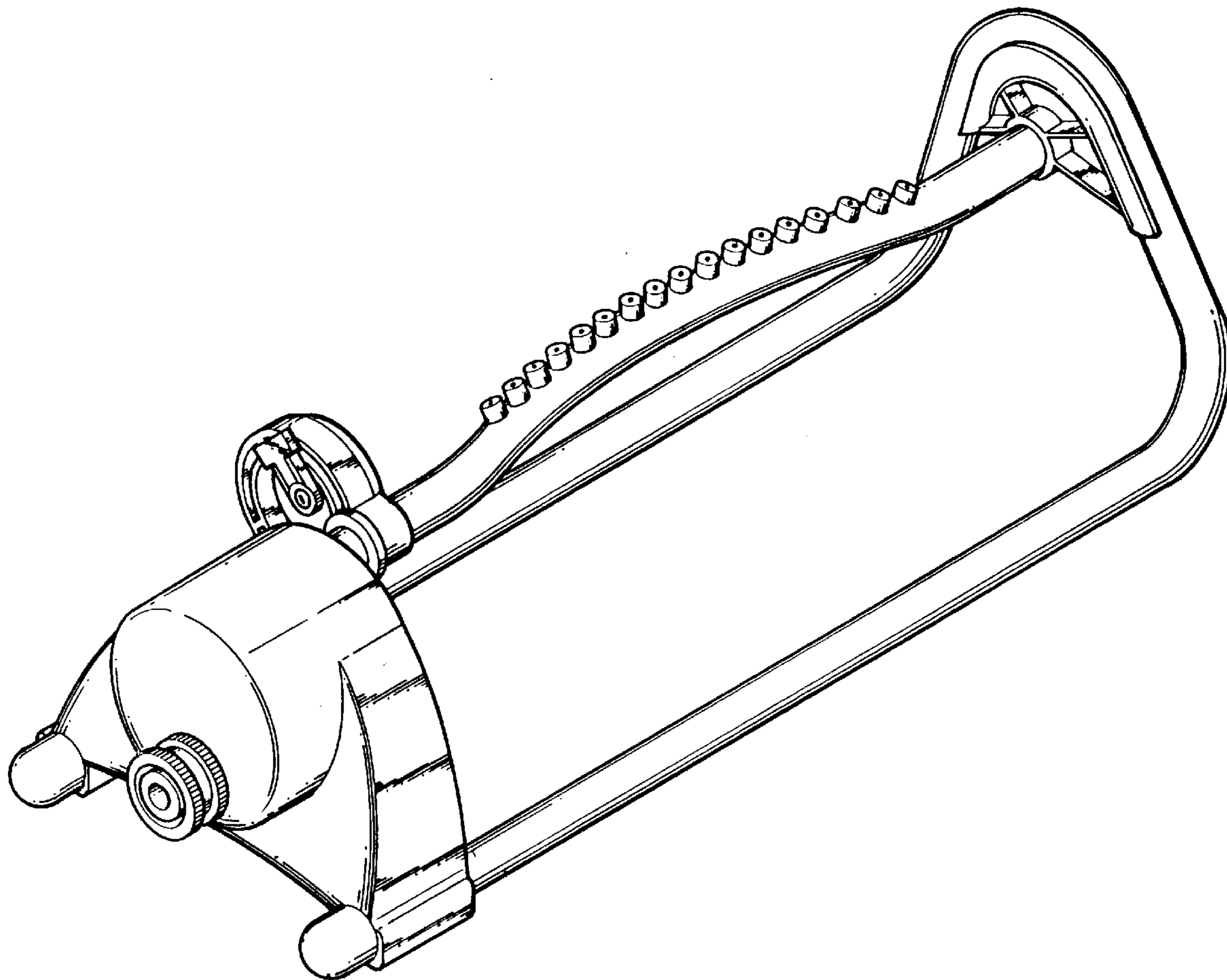
[57] **CLAIM**

The ornamental design for a sprinkler, as shown and described.

DESCRIPTION

FIG. 1 is a perspective view of a sprinkler showing my new design;
FIG. 2 is a front elevational view thereof;
FIG. 3 is a rear elevational view thereof;
FIG. 4 is a top plan view thereof;
FIG. 5 is a bottom plan view thereof;
FIG. 6 is a left side elevational view thereof; and,
FIG. 7 is a right side elevational view thereof.

1 Claim, 4 Drawing Sheets



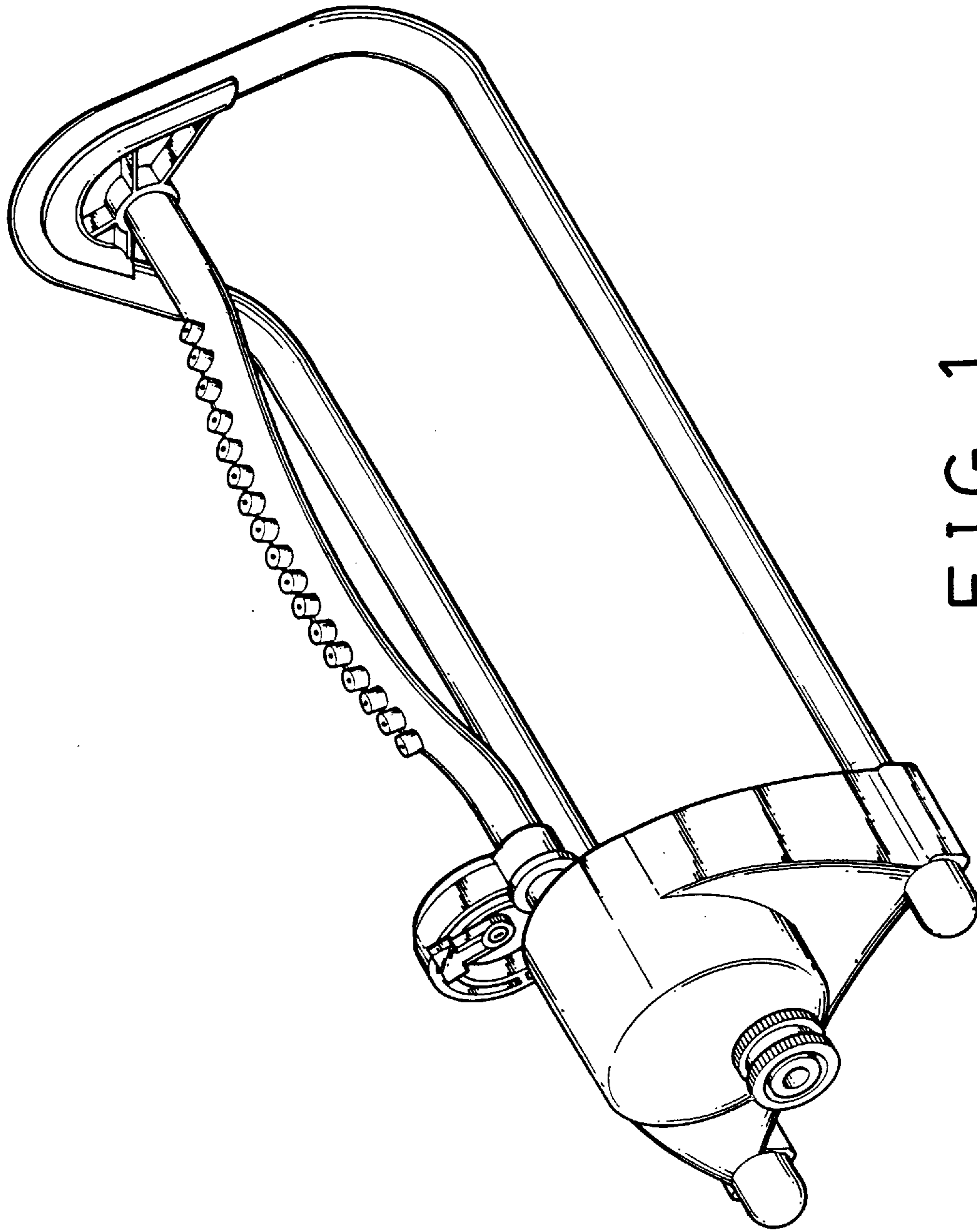
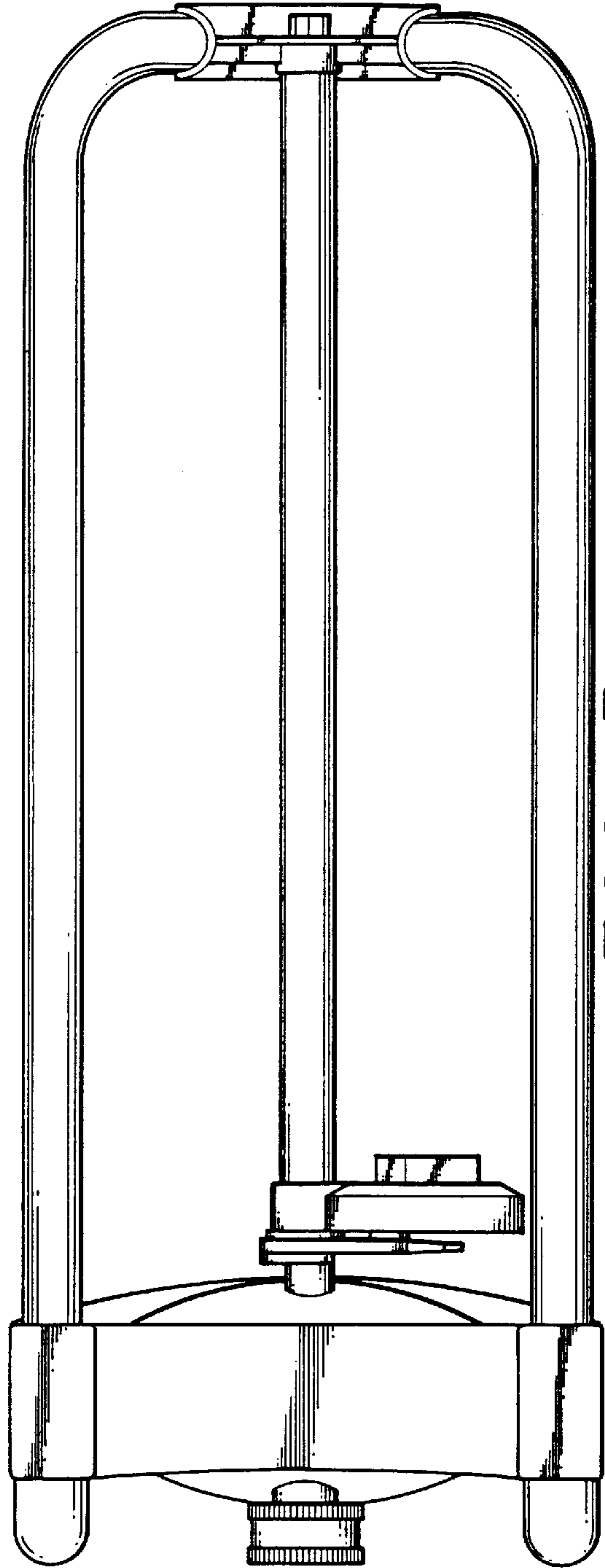
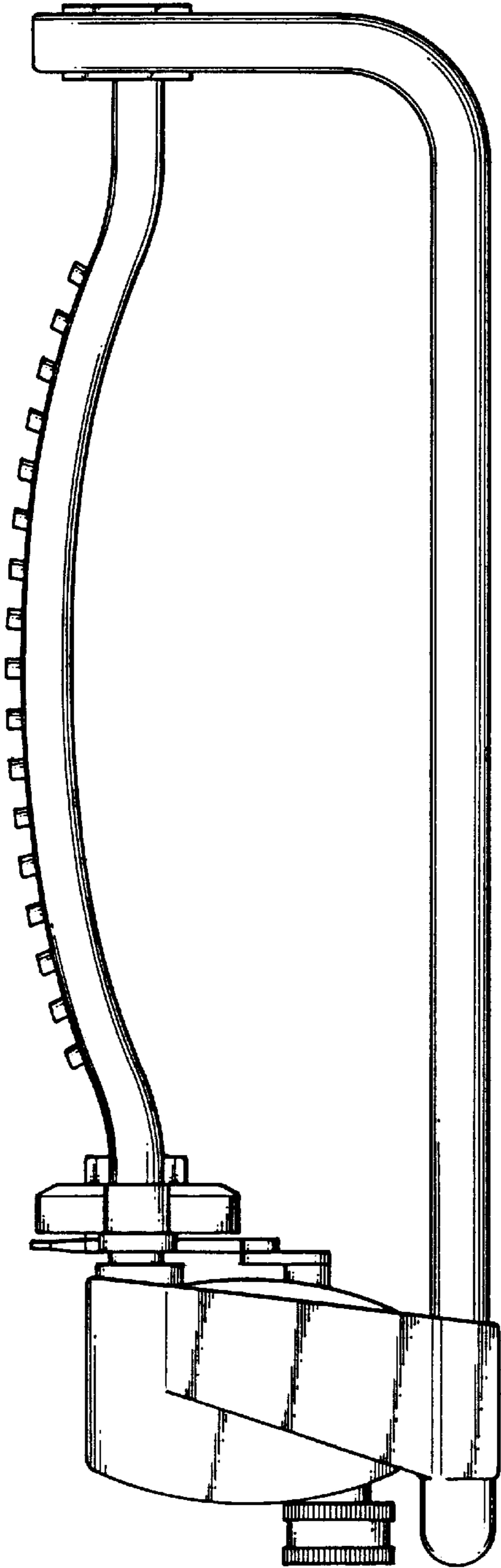


FIG. 1



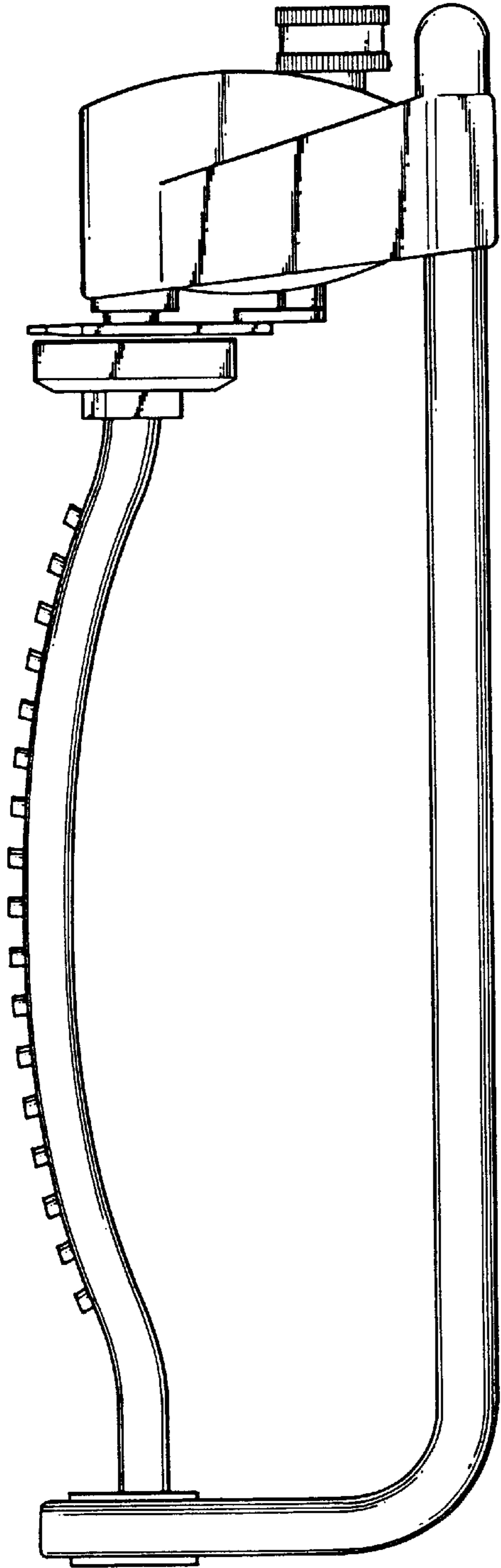


FIG. 3

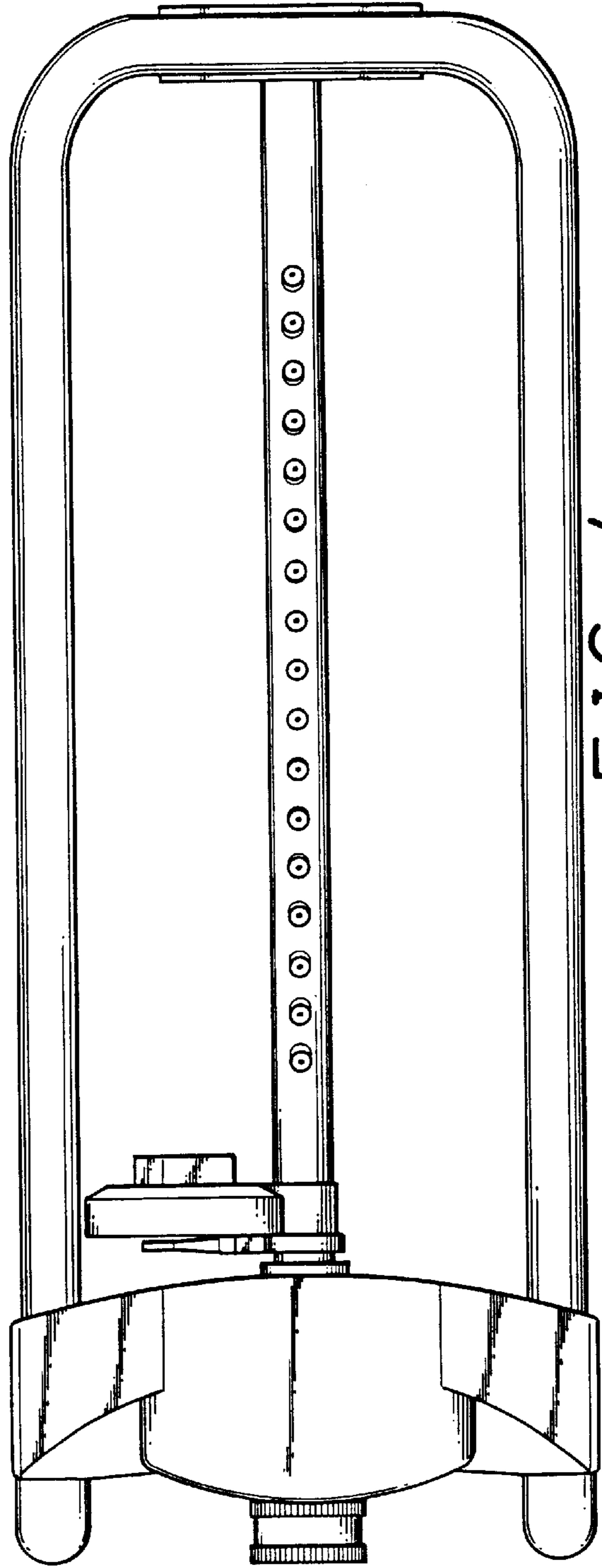


FIG. 4

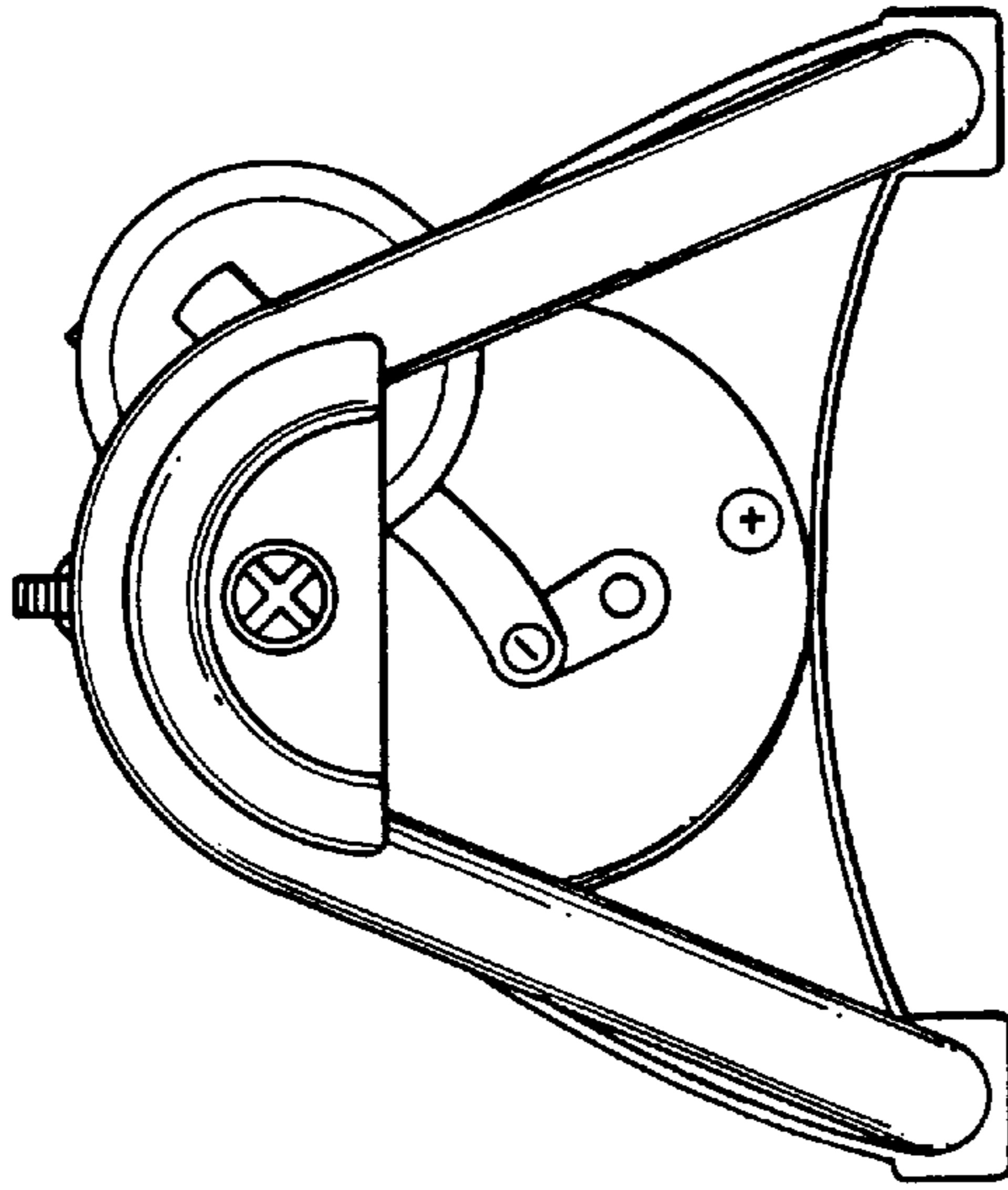


FIG. 7

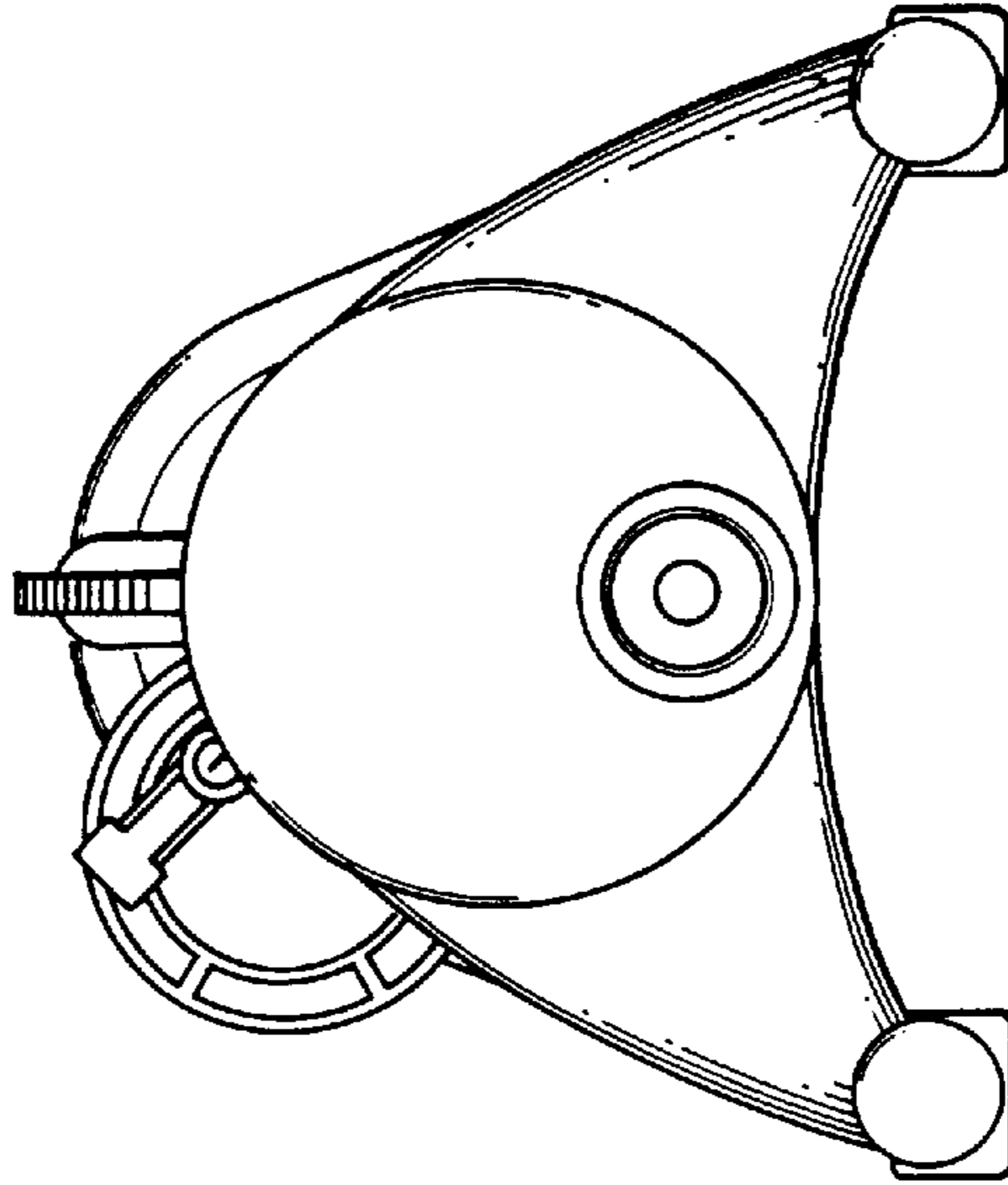


FIG. 6