



US00D403742S

**United States Patent** [19]  
**Palodichuk**

[11] **Patent Number: Des. 403,742**

[45] **Date of Patent: \*\*Jan. 5, 1999**

[54] **OVERHEAD MATERIAL TRANSFER  
DEVICE**

4,773,568 9/1988 Schaefer ..... 239/375

**FOREIGN PATENT DOCUMENTS**

[76] Inventor: **Larry Palodichuk**, 351 Grand Ave. W.,  
South St. Paul, Minn. 55075

26 42 870 3/1978 Germany ..... A01G 29/00

[\*\*] Term: **14 Years**

*Primary Examiner*—Alan P. Douglas  
*Assistant Examiner*—Robin V. Taylor  
*Attorney, Agent, or Firm*—Jacobson & Johnson

[21] Appl. No.: **72,708**

[57] **CLAIM**

[22] Filed: **Jun. 23, 1997**

The ornamental design for a overhead material transfer device, as shown.

[51] **LOC (6) Cl.** ..... **23-01**

[52] **U.S. Cl.** ..... **D23/212**

[58] **Field of Search** ..... D23/200, 211,  
D23/212; 239/375–378; 222/565, 572, 470

**DESCRIPTION**

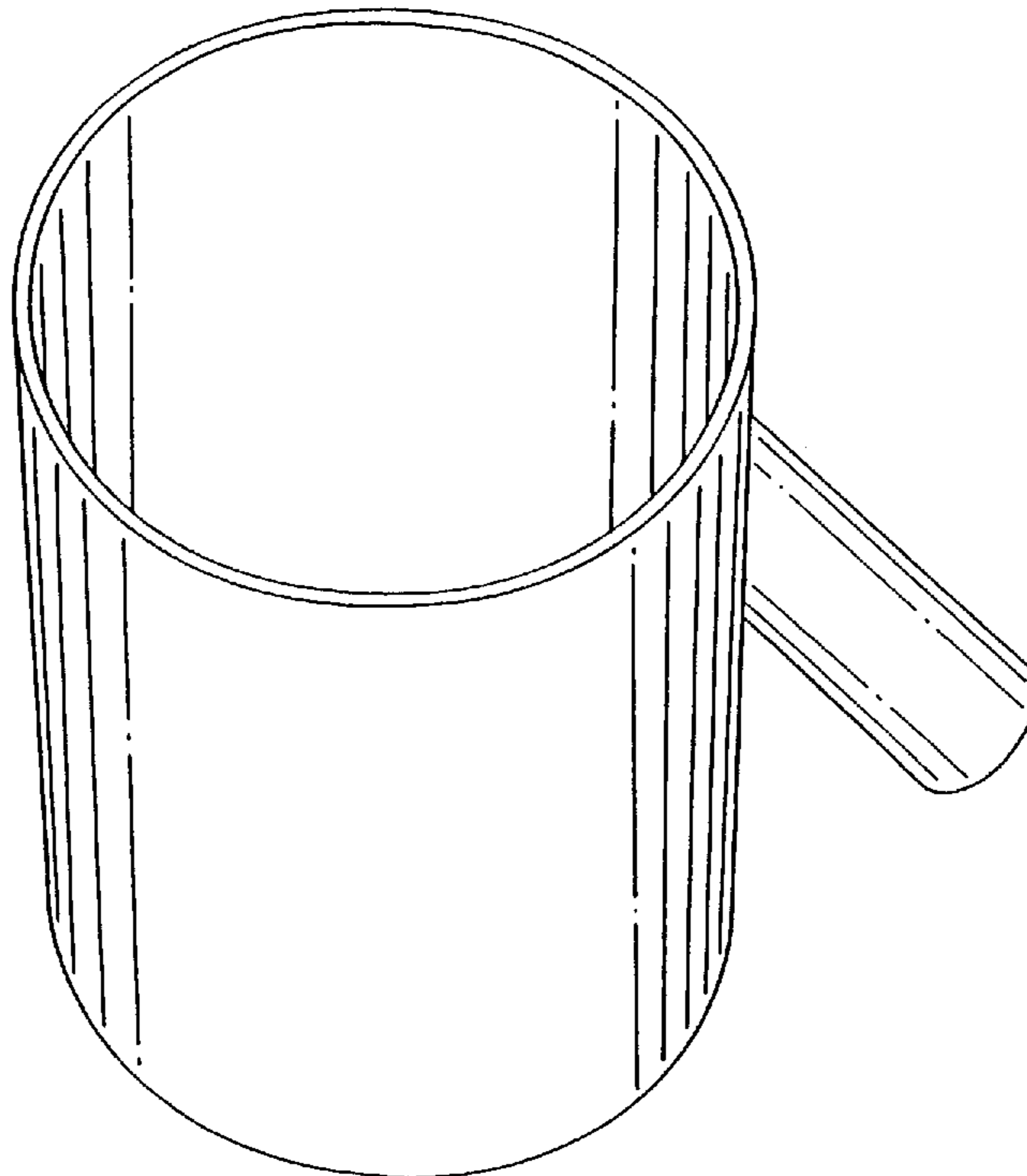
[56] **References Cited**

**U.S. PATENT DOCUMENTS**

323,332 7/1885 Hester .  
D. 325,768 4/1992 Hankammer ..... D23/212  
1,890,608 12/1932 Hurtado ..... 239/375  
2,355,010 8/1944 Pera ..... 65/13

FIG. 1 is a perspective view of a overhead material transfer device, showing my design;  
FIG. 2 is right side elevation view;  
FIG. 3 is a left side elevation view;  
FIG. 4 is a top view; and,  
FIG. 5 is a bottom view.

**1 Claim, 3 Drawing Sheets**



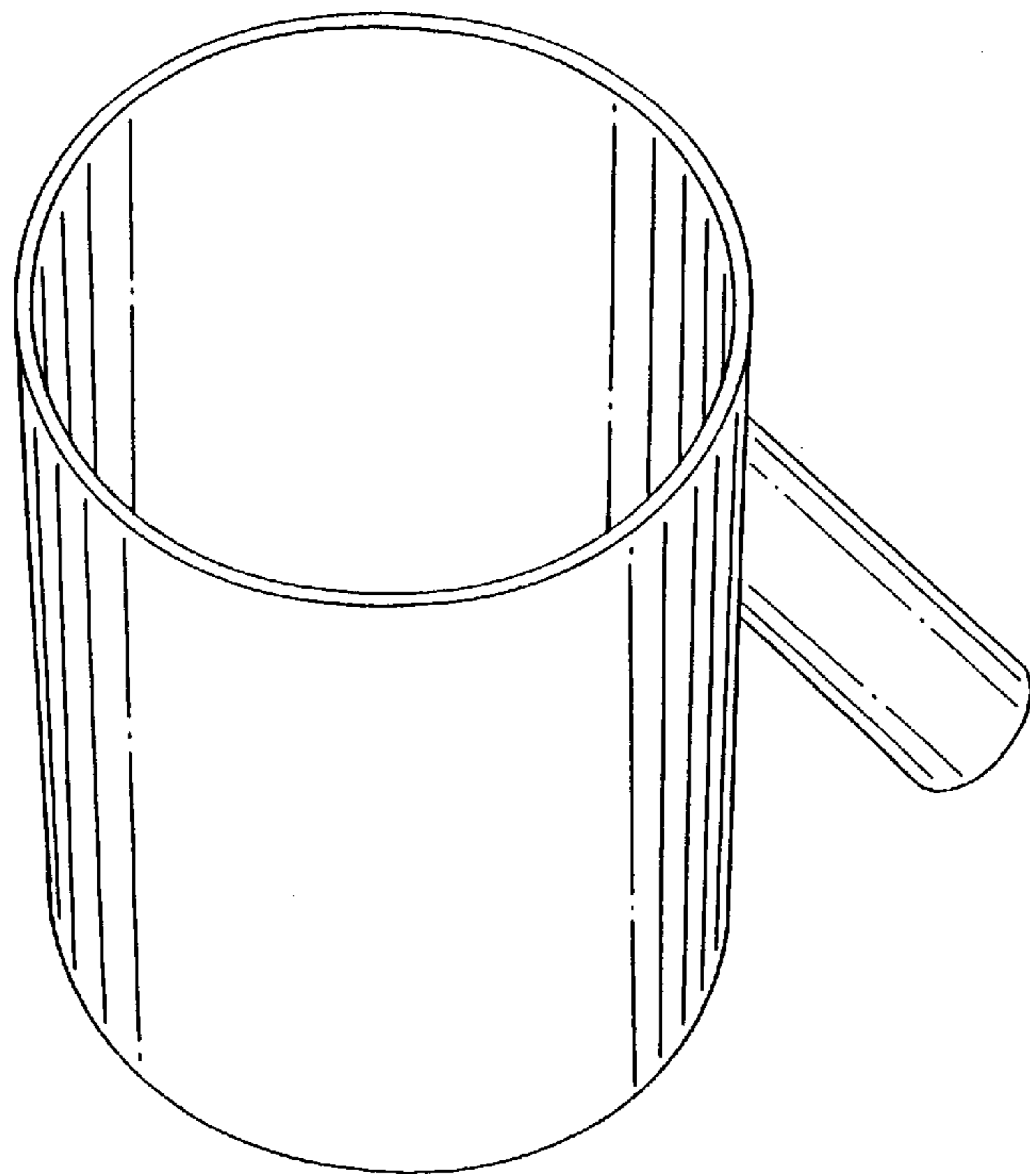


FIG. 1

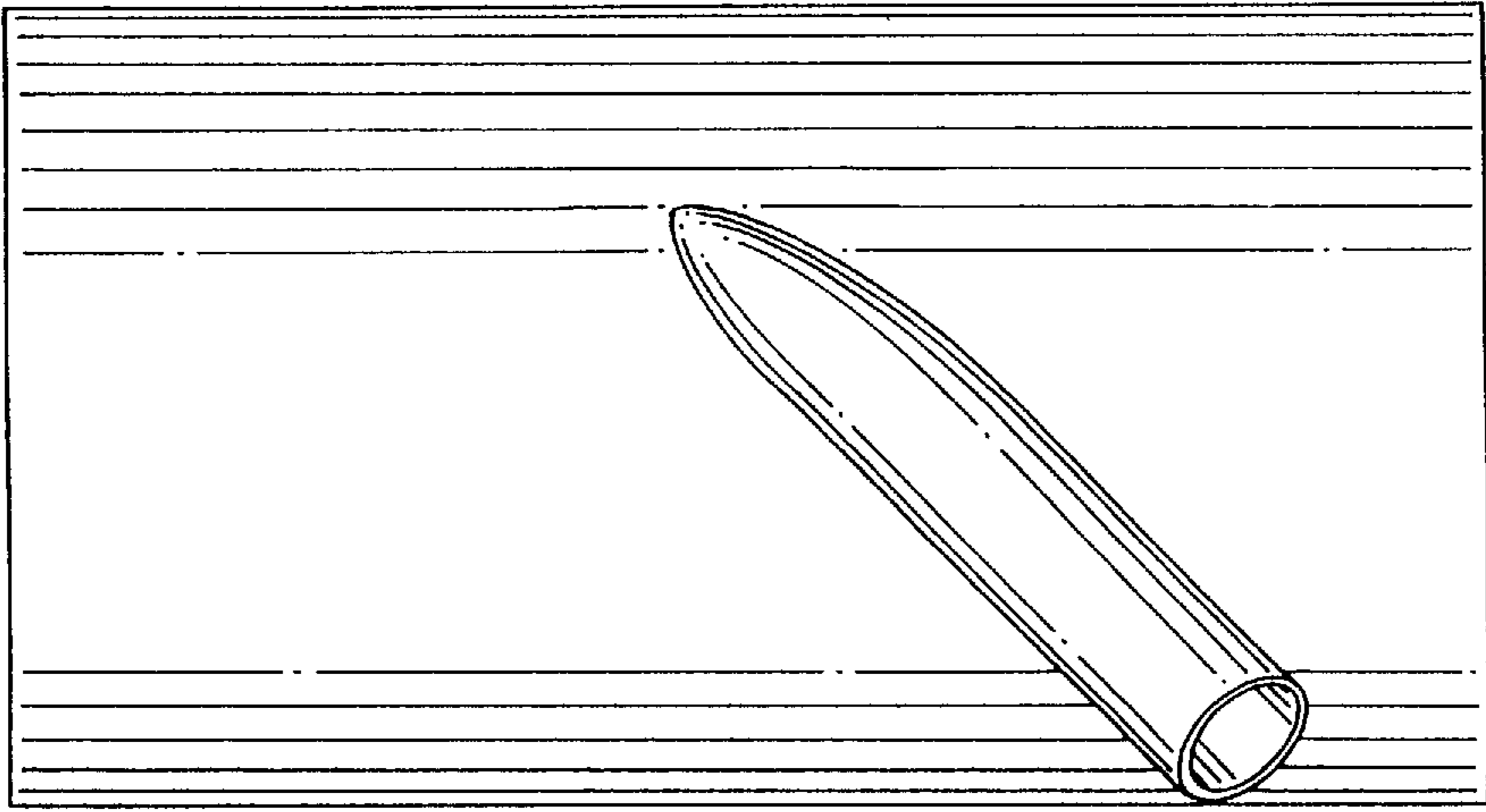


FIG. 3

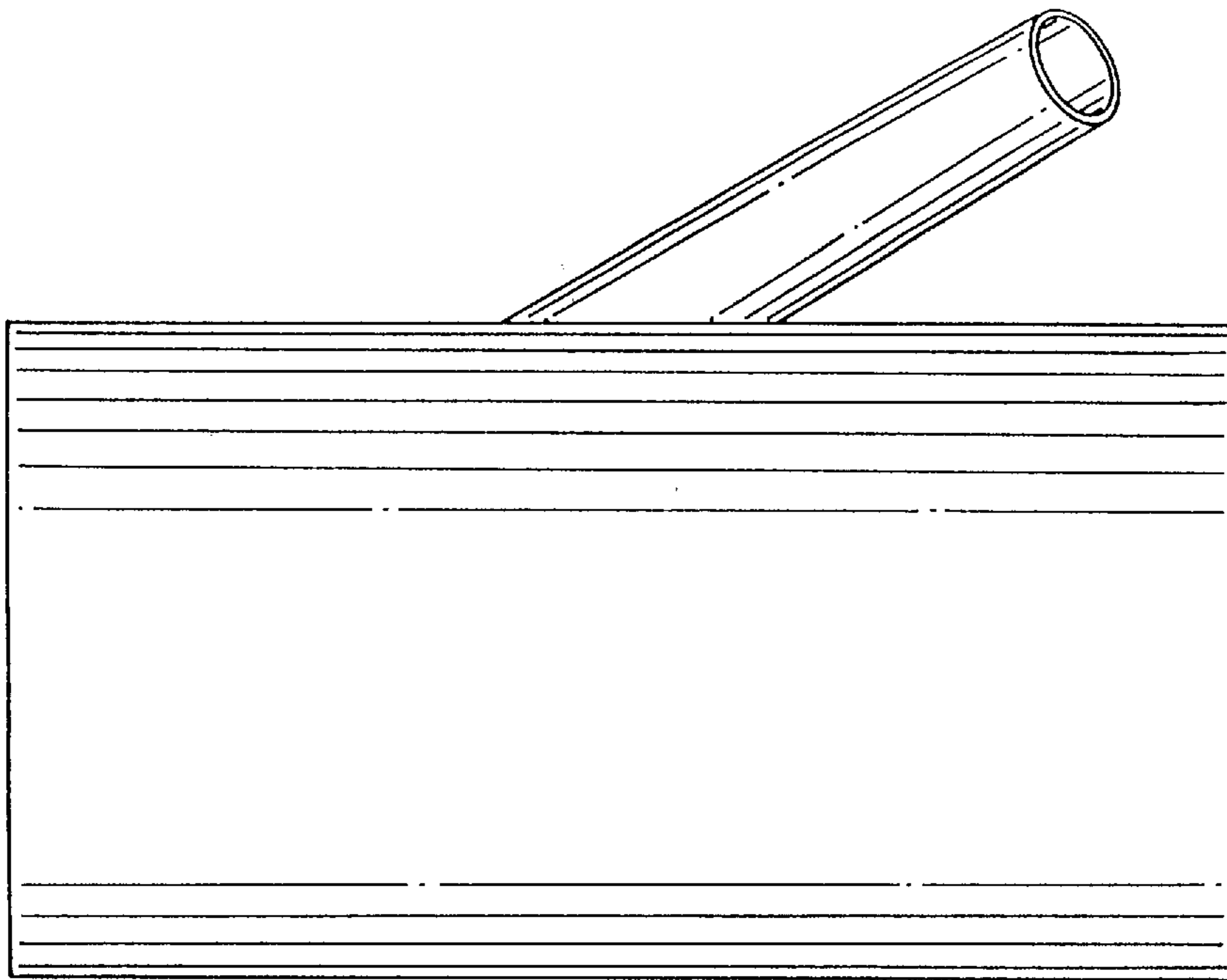


FIG. 2

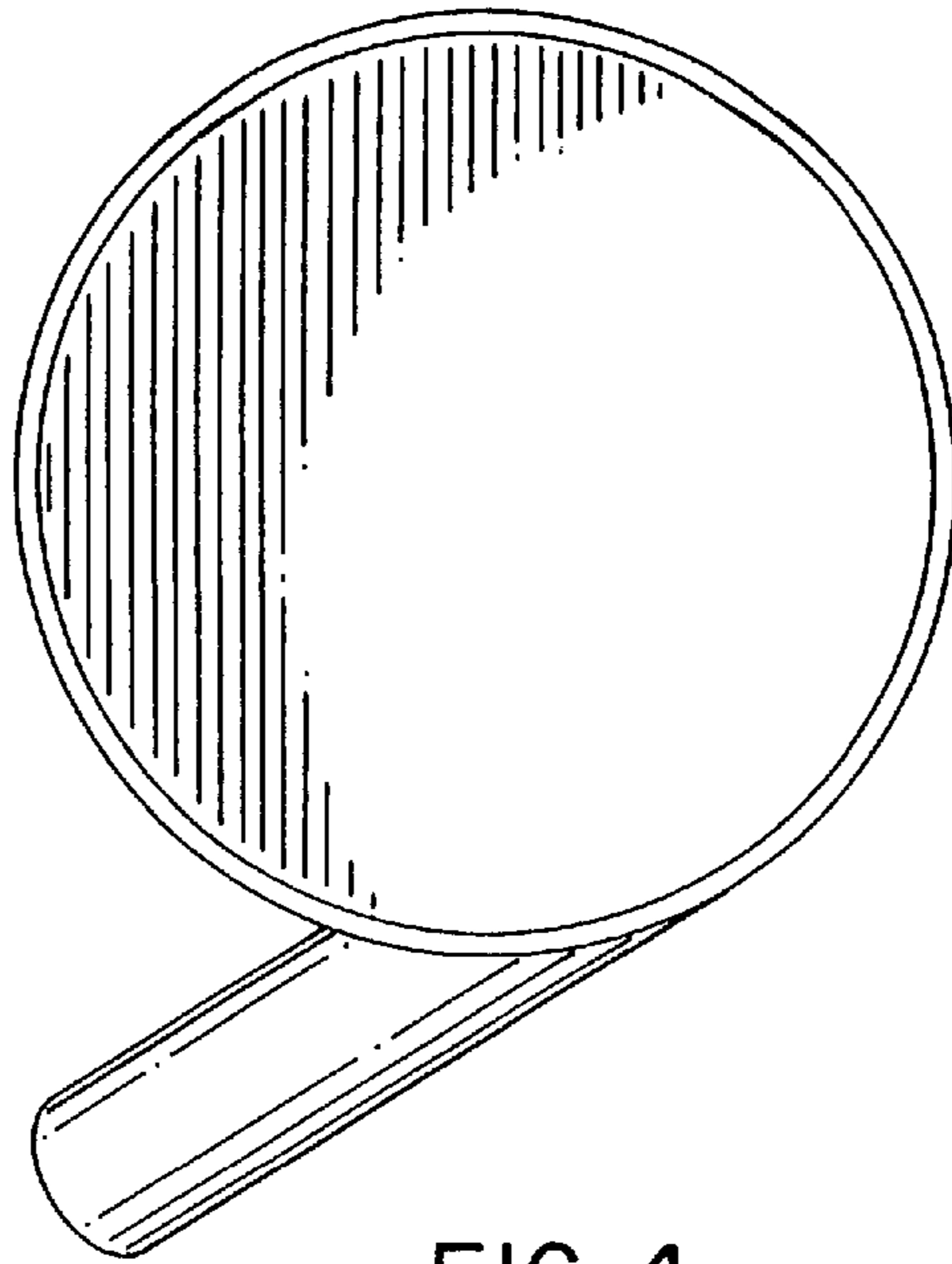


FIG. 4

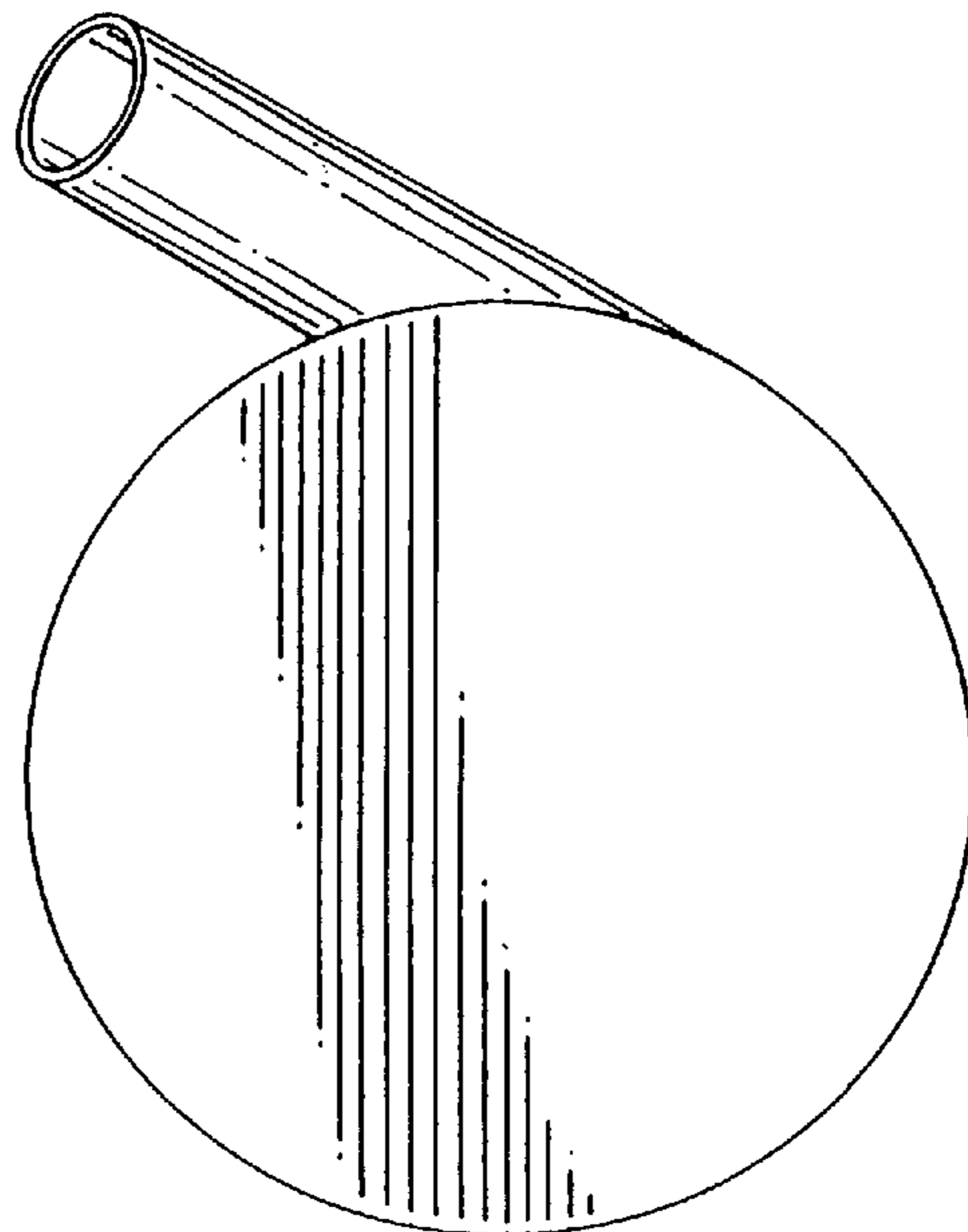


FIG. 5