



US00D403740S

# United States Patent [19]

Kott et al.

[11] Patent Number: Des. 403,740

[45] Date of Patent: \*\*Jan. 5, 1999

[54] FILTER

[75] Inventors: Aaron D. Kott; Leonard B. Kott, both of North Massapequa, N.Y.

[73] Assignee: Pleatco Electronic & Filter Corp., West Babylon, N.Y.

[\*\*] Term: 14 Years

[21] Appl. No.: 80,931

[22] Filed: Dec. 19, 1997

[51] LOC (6) Cl. .... 23-01

[52] U.S. Cl. .... D23/209

[58] Field of Search ..... D23/200, 207, D23/209; 210/484, 494, 493.1, 493.2

### [56] References Cited

#### U.S. PATENT DOCUMENTS

D. 306,640	3/1990	Kott .	
D. 366,516	1/1996	Stewart .....	D23/209
3,448,862	6/1969	Kudaty .....	210/499
4,560,477	12/1985	Moldow .....	210/493.1
4,735,720	4/1988	Kersting .....	210/497.01
5,211,849	5/1993	Kott et al. .	
5,531,848	7/1996	Tal .....	210/497.01

#### OTHER PUBLICATIONS

Front cover of Pleatco's "Replacement Swimming Pool and Spa Filter Cartridge Catalog"; Date of Publication: 1991; Place of Publication: United States.

Unicel's 1998 Replacement Guide (cover and pp. 1 and 71); Date of Publication: unknown, but copyright notice indicates similar guides have been published since 1985; Place of Publication: United States.

Primary Examiner—Alan P. Douglas  
Assistant Examiner—Robin V. Taylor  
Attorney, Agent, or Firm—Hoffmann & Baron, LLP

### [57] CLAIM

The ornamental design of a filter, as shown and described.

### DESCRIPTION

FIG. 1 is a front side perspective view of a filter showing our new design;

FIG. 2 is a top plan view thereof; and,

FIG. 3 is a bottom plan view thereof;

FIG. 4 is a front elevational view thereof;

FIG. 5 is a side elevational view thereof;

FIG. 6 is a side elevational view thereof opposite that shown in FIG. 5;

FIG. 7 is a back elevational view thereof opposite to that shown in FIG. 4;

FIG. 8 is a fragmentary section view taken along line 8—8 of FIG. 2; and,

FIG. 9 is a fragmentary section view taken along line 9—9 of FIG. 3.

1 Claim, 7 Drawing Sheets

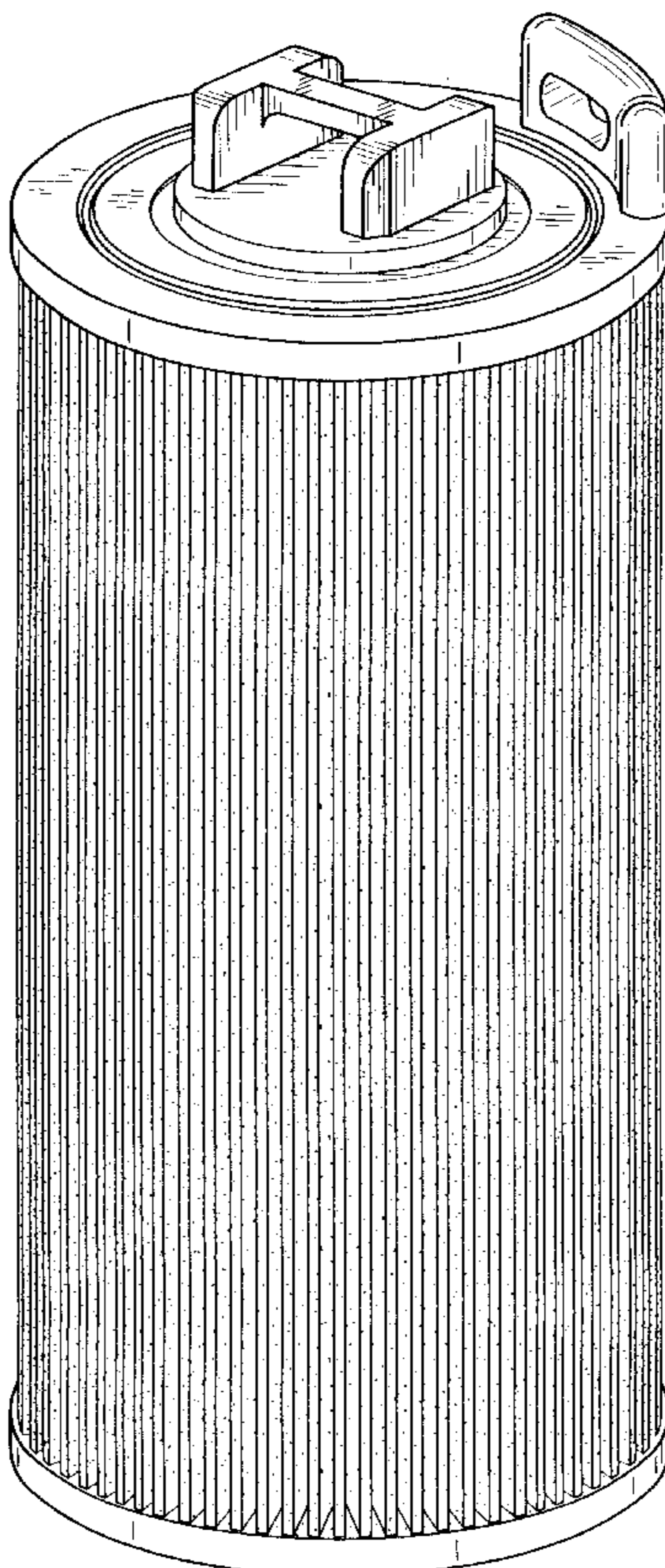


FIG-1

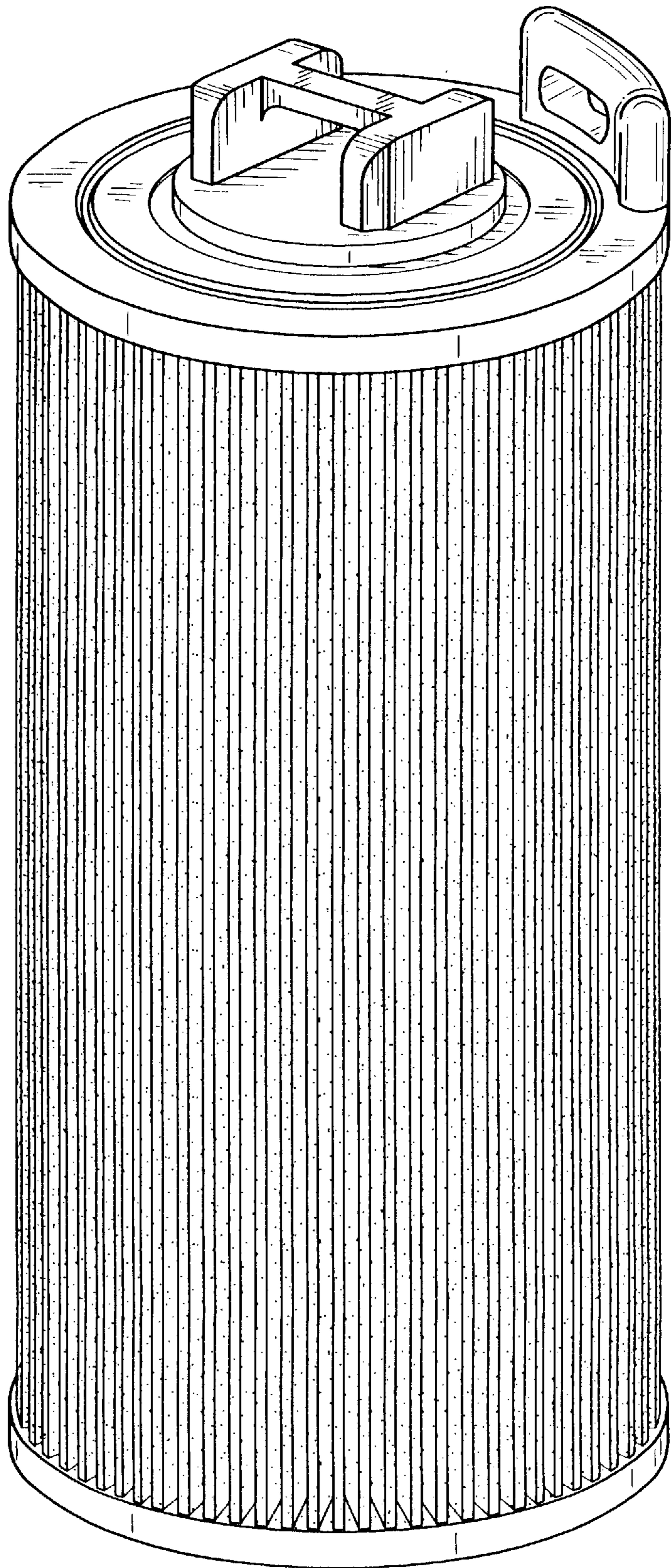


FIG-2

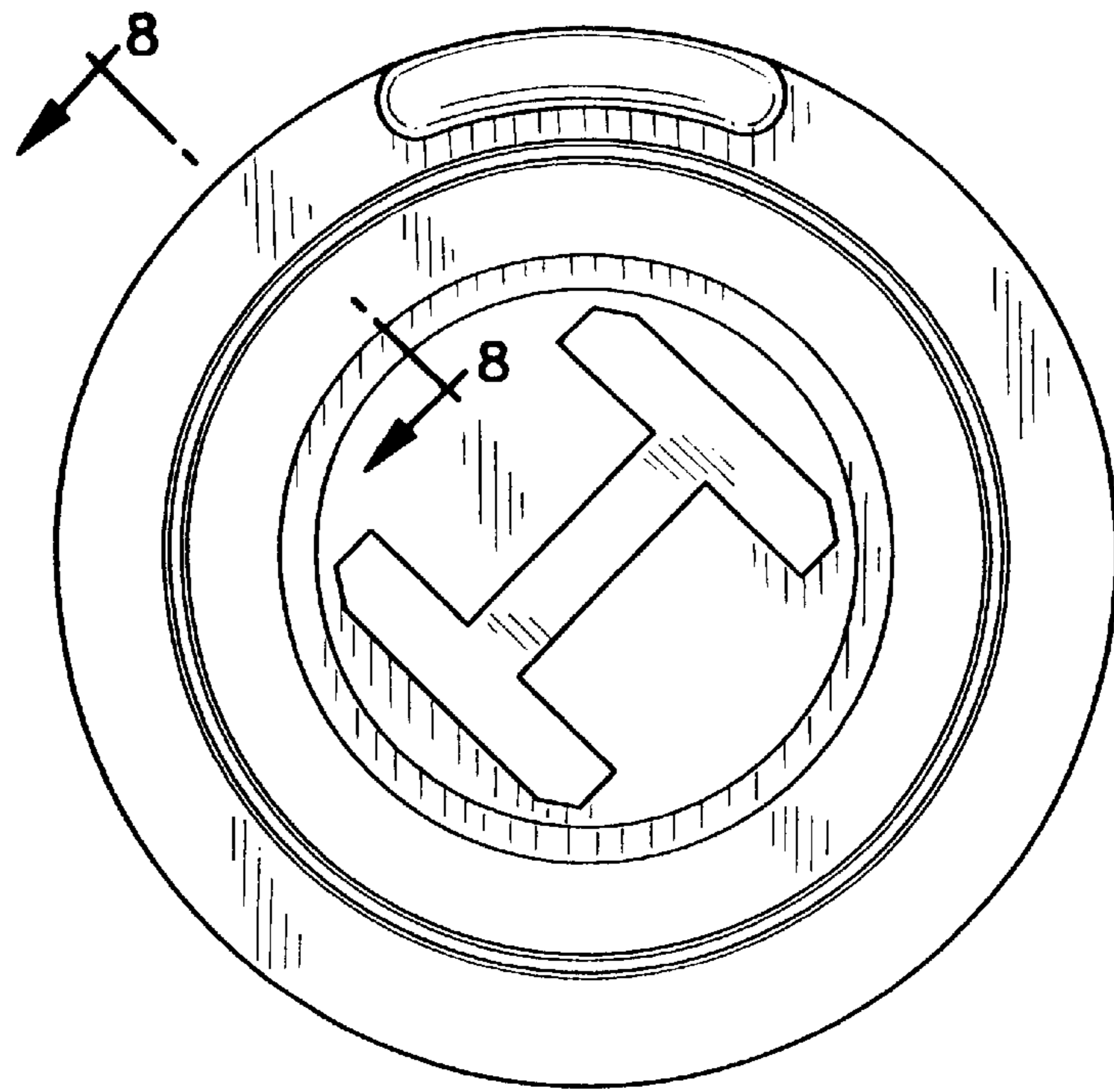


FIG-3

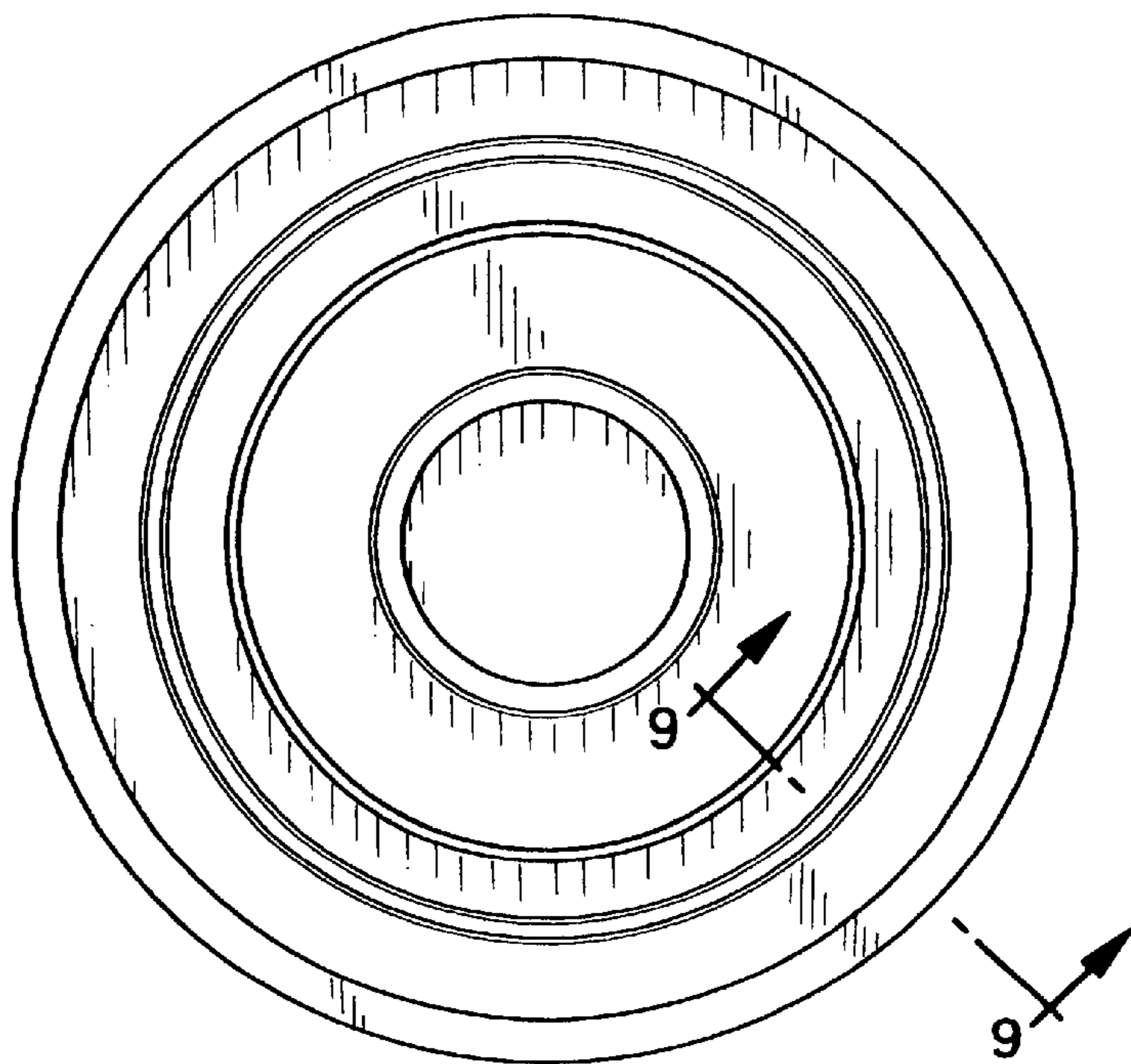


FIG-4

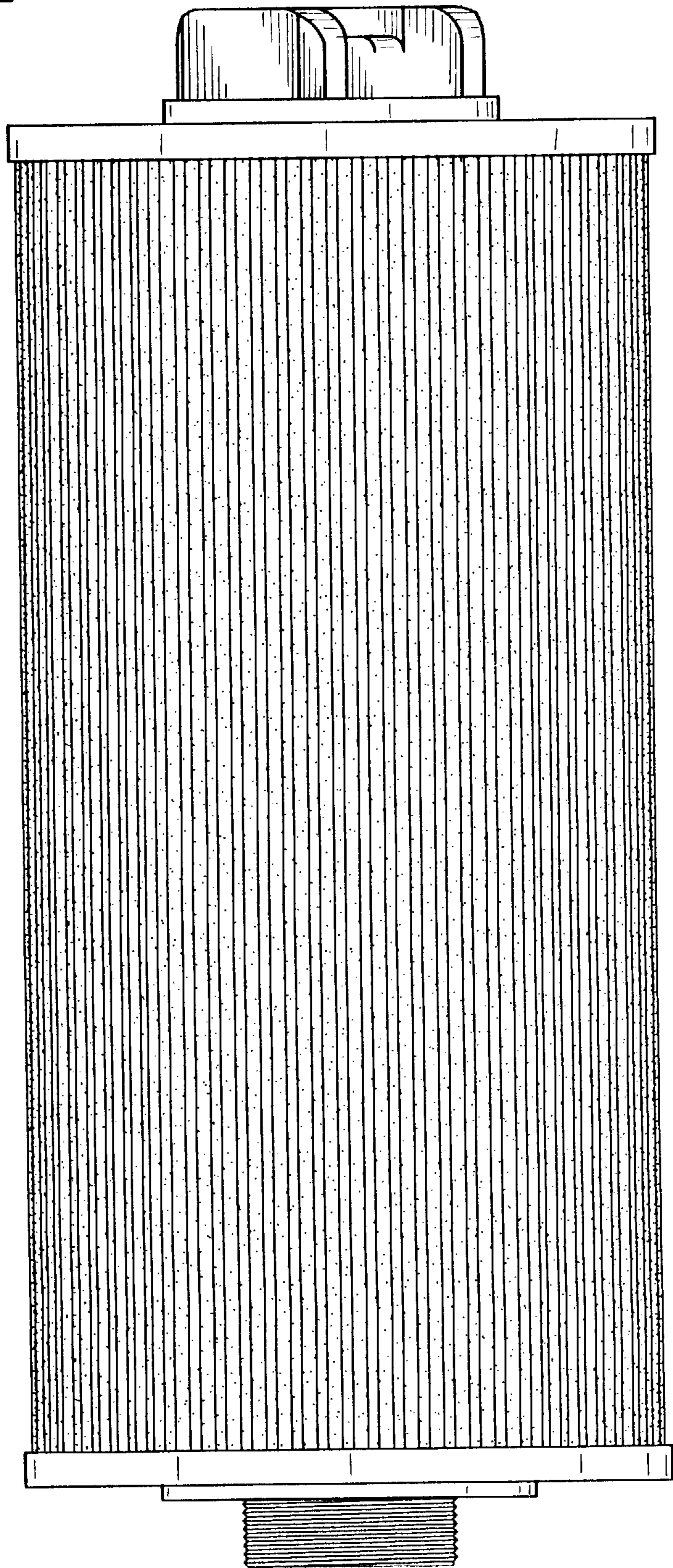


FIG-5

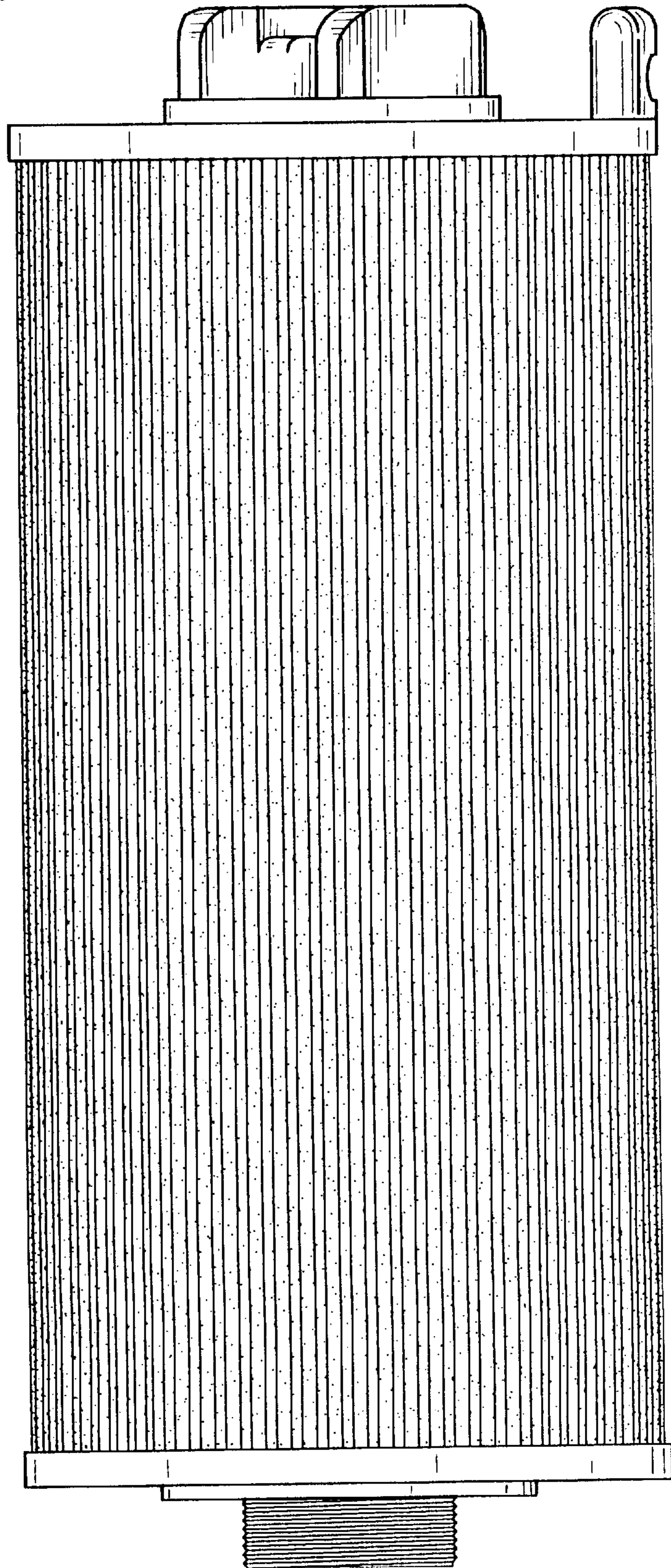


FIG-6

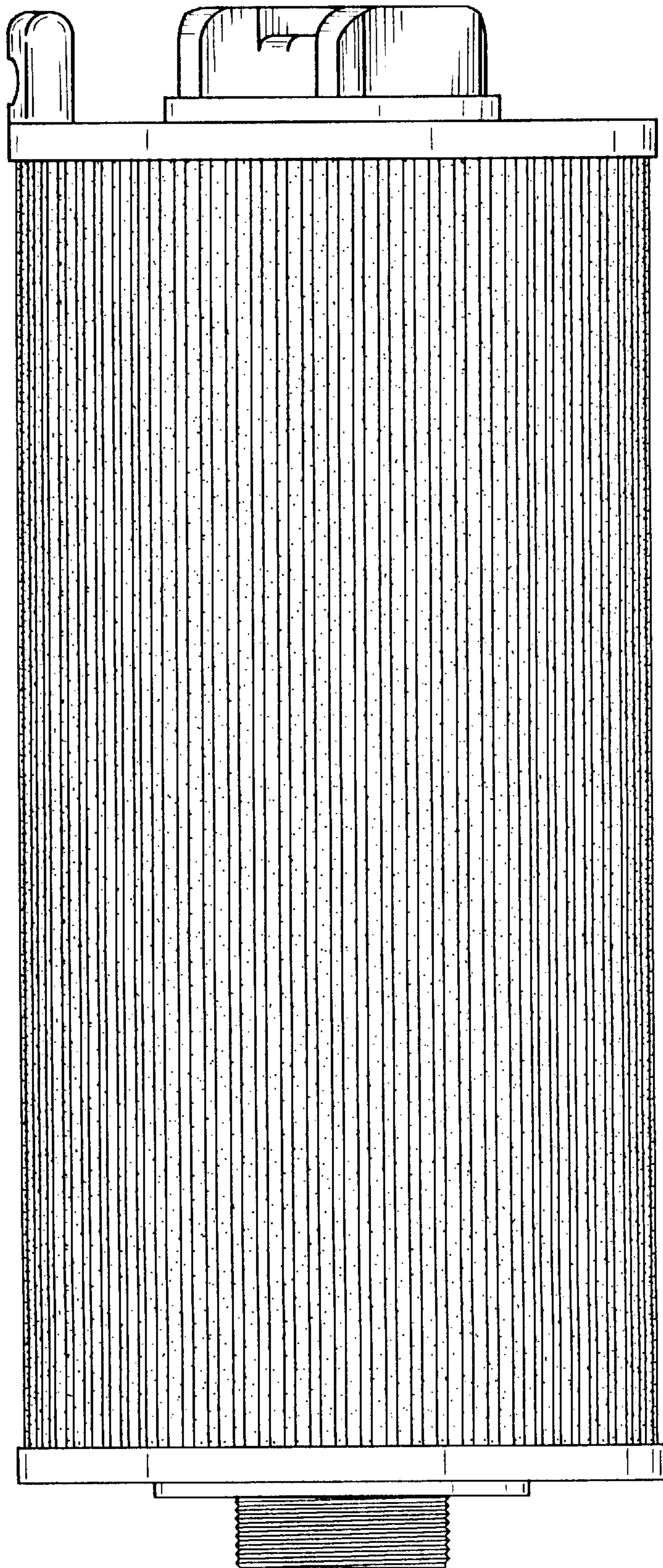


FIG-7

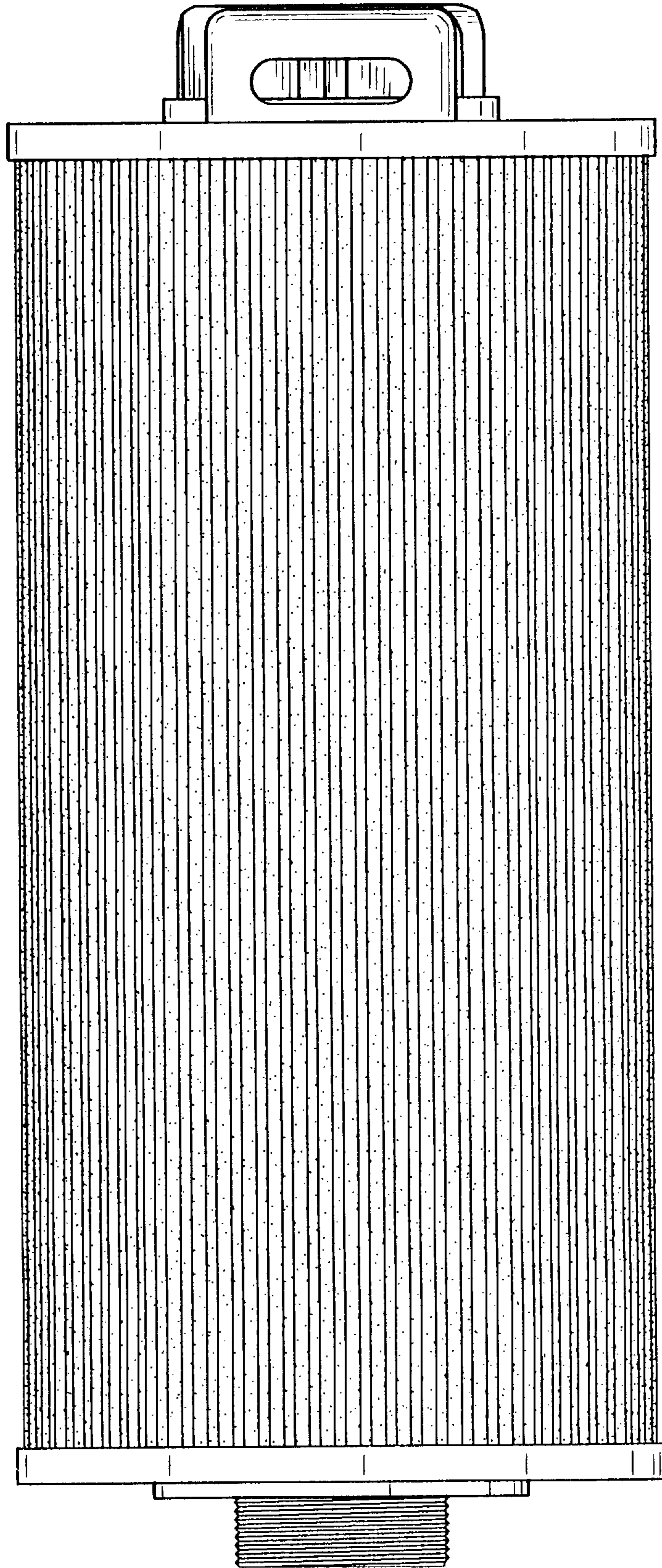


FIG-8

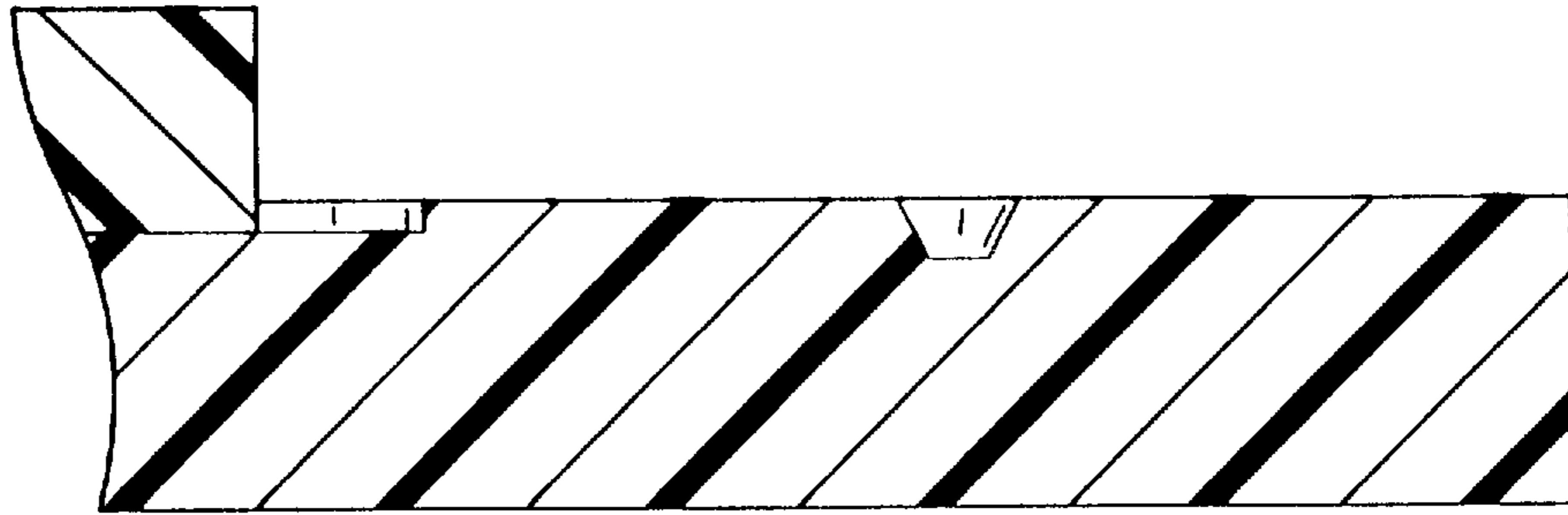


FIG-9

