



US00D403739S

United States Patent [19]

Donaldson

[11] **Patent Number:** **Des. 403,739**

[45] **Date of Patent:** ****Jan. 5, 1999**

[54] **PASSIVE WICK DISPENSER**

[76] **Inventor:** **Darryl J. Donaldson**, 123 Green Forest Dr., Clinton, Miss. 39056

[**] **Term:** **14 Years**

[21] **Appl. No.:** **68,318**

[22] **Filed:** **Apr. 2, 1997**

[51] **LOC (6) Cl.** **23-01**

[52] **U.S. Cl.** **D23/207**

[58] **Field of Search** D23/200, 207, D23/208, 259, 262, 263, 264, 266; 285/127.2, 131.1, 132.1; 4/211

[56] **References Cited**

U.S. PATENT DOCUMENTS

1,201,081 10/1916 Nilson 4/211
2,567,165 9/1951 Buskirk 285/132.1

OTHER PUBLICATIONS

Lee Brothers Corporation Cast Bronze Fittings and Valves; Item #20-522 T-Y p. 35, 20-845, and #20-850 p. 36, 1964.

Primary Examiner—Pamela Burgees

Assistant Examiner—Robin V. Taylor

[57] **CLAIM**

The ornamental design for a passive wick dispenser, as shown and described.

DESCRIPTION

FIG. 1 is a front elevational view of the passive wick dispenser. The rear of the passive wick dispenser is the reverse of the front;

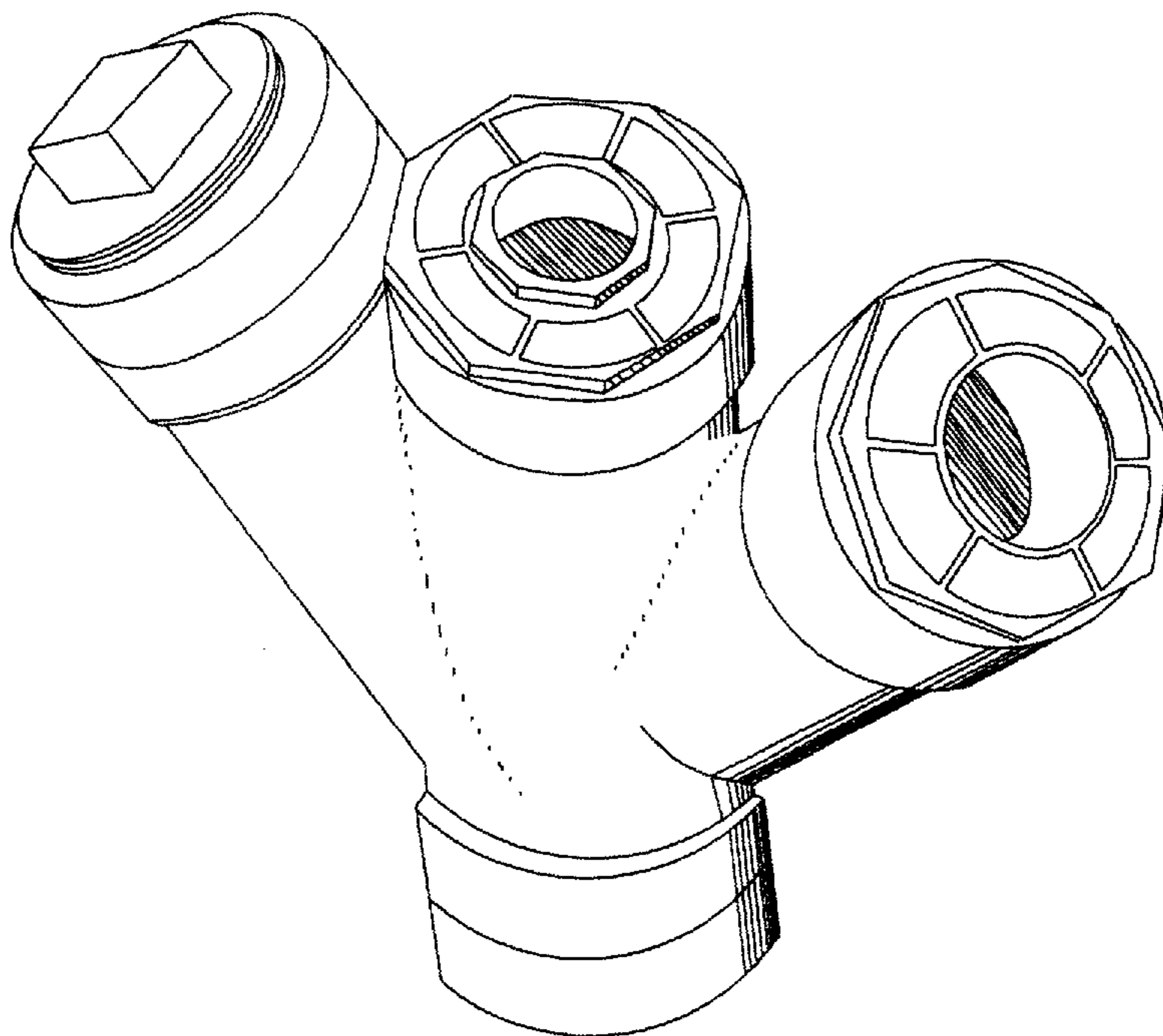
FIG. 2 is the left side elevational view thereof;

FIG. 3 is the right side elevational view thereof; and

FIG. 4 is a top view of the passive wick dispenser. The bottom of the dispenser is flat and unornamented; and,

FIG. 5 is perspective view of the device.

1 Claim, 2 Drawing Sheets



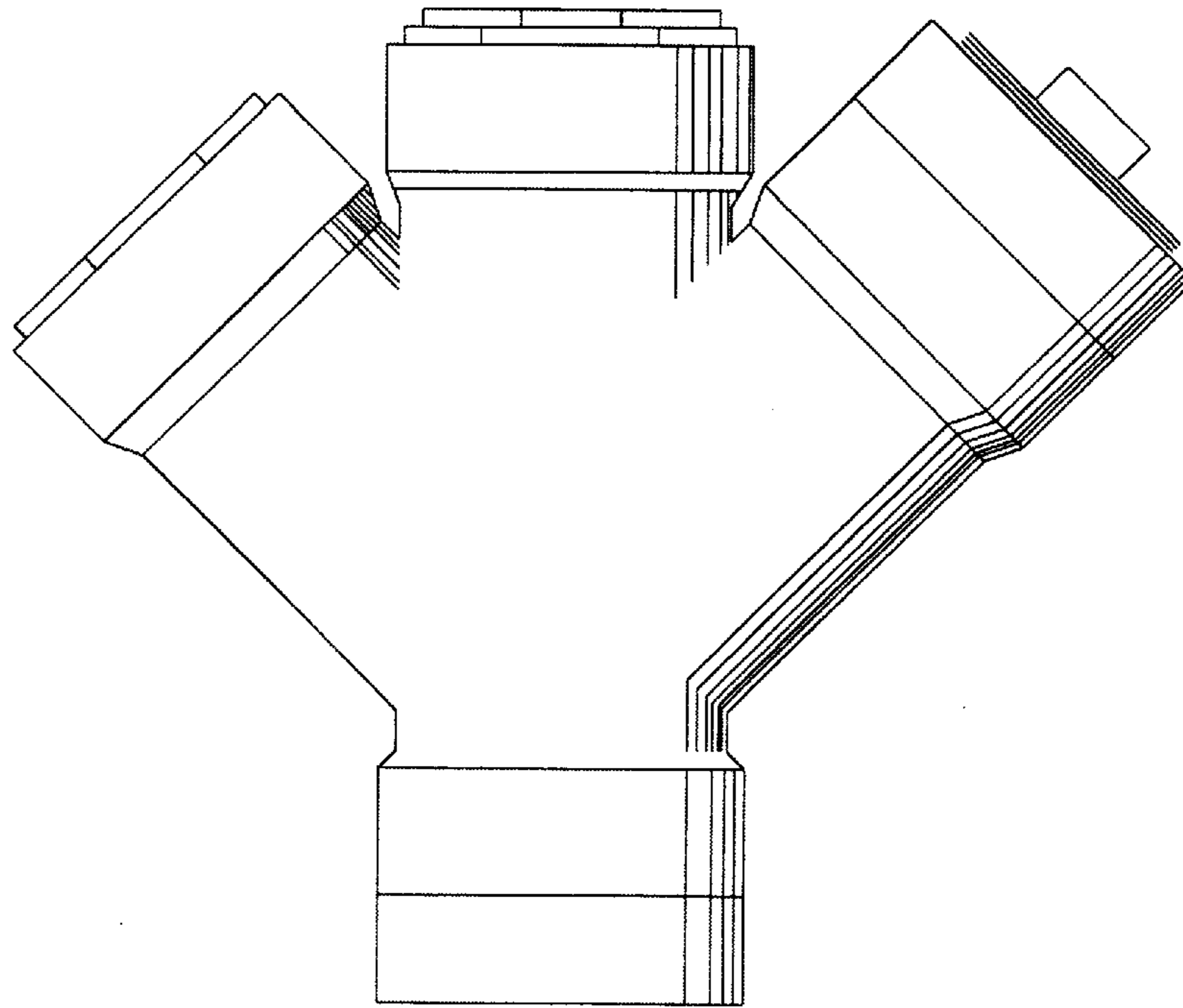


Fig. 1:

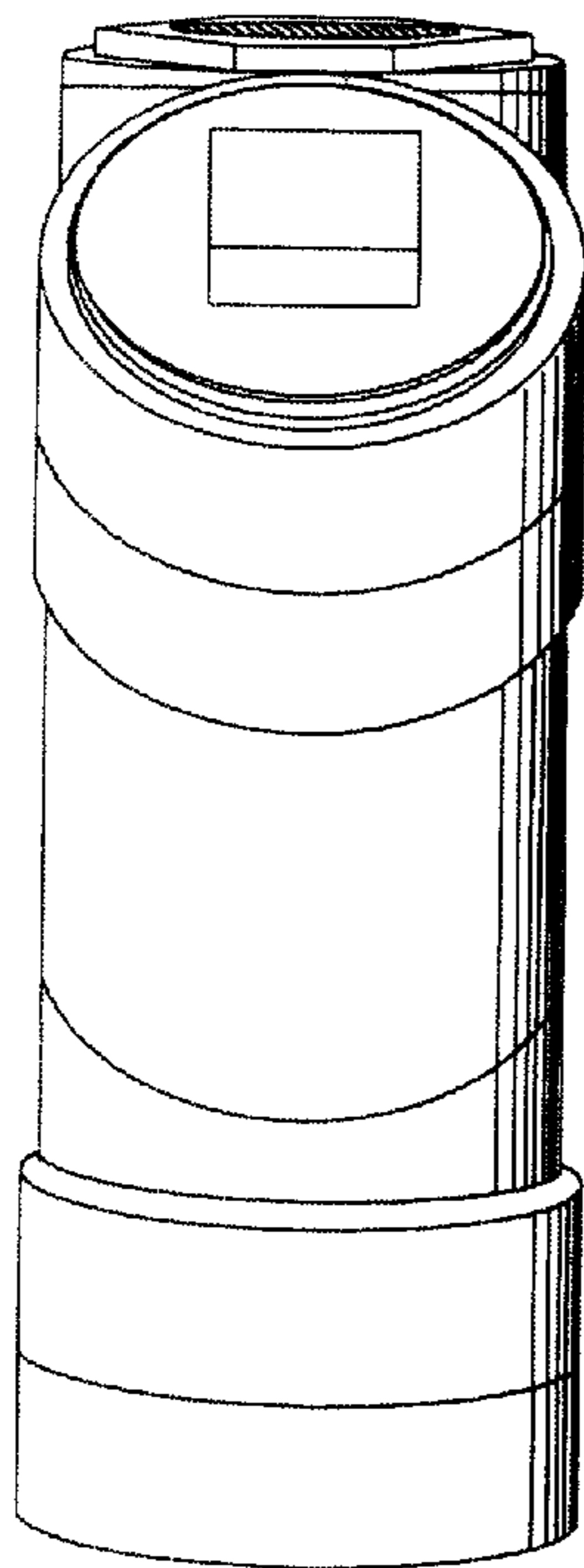


Fig. 2

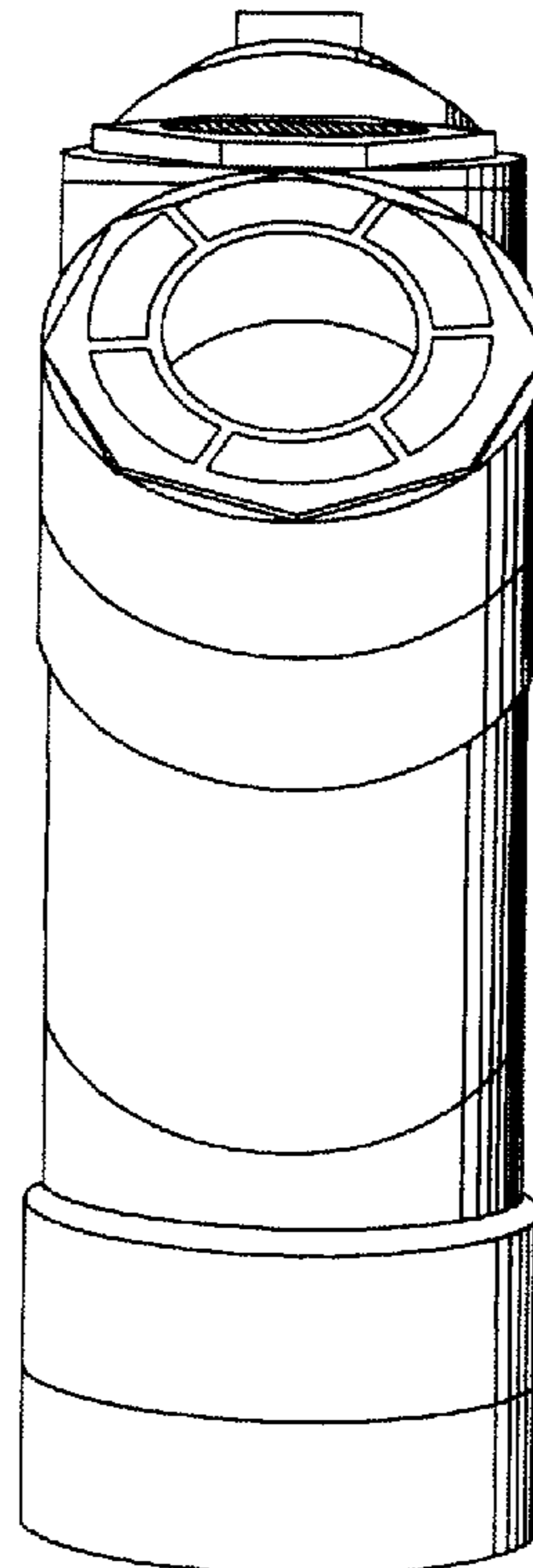


Fig. 3

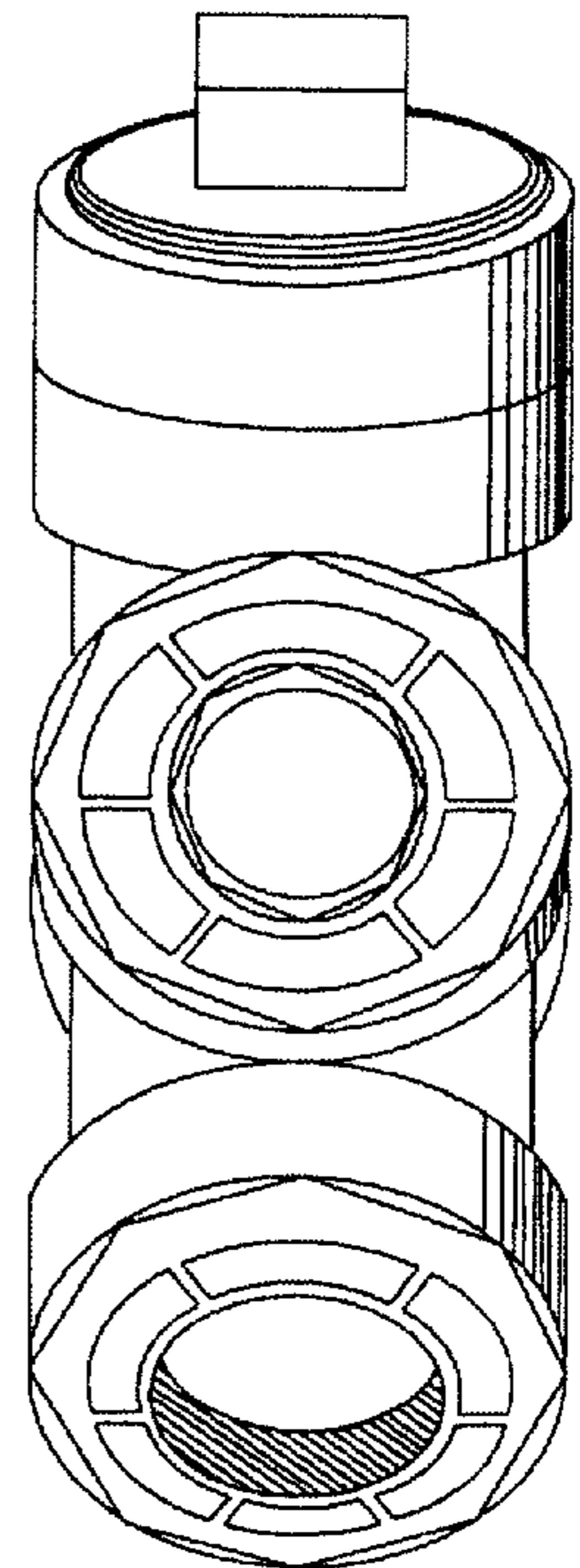


Fig. 4

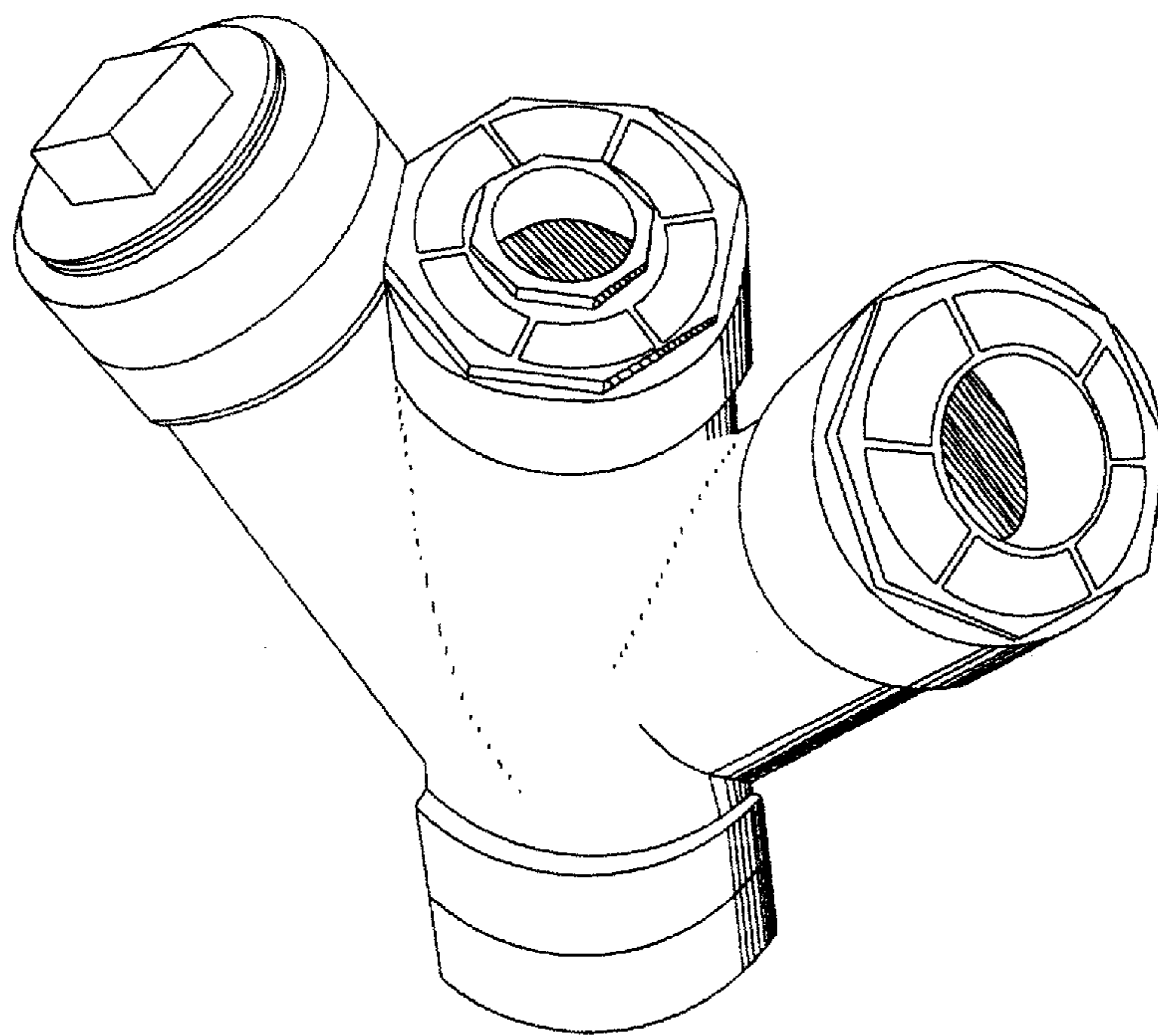


Fig. 5