

US00D403736S

# United States Patent [19]

Dunn et al.

[11] Patent Number: Des. 403,736

[45] Date of Patent: \*\*Jan. 5, 1999

[54] **ILLUMINATED FISHING ROD**

[76] Inventors: **Dwayne L. Dunn**, 44-700 San Luis Way; **Aaron LaVerne Harris**, P.O. Box 315, both of Palm Desert, Calif. 92260

[\*\*] Term: **14 Years**

[21] Appl. No.: **24,190**

[22] Filed: **Jun. 9, 1994**

### Related U.S. Application Data

[63] Continuation of Ser. No. 3,377, Jan. 8, 1993, abandoned.

[51] **LOC (6) Cl.** ..... **22-05**

[52] **U.S. Cl.** ..... **D22/139; D22/138; D22/142**

[58] **Field of Search** ..... **D22/137, 138, D22/139, 142; 43/18.1, 20, 22, 23, 17.5, 17**

### [56] References Cited

#### U.S. PATENT DOCUMENTS

D. 49,284	6/1916	Schmitt	.....	D22/138
D. 59,204	10/1921	Dunkelberger	.....	D22/138
D. 281,805	12/1985	Bolinger	.	
1,448,120	3/1923	Johnson	.....	43/17.5
2,282,618	5/1942	Stewart	.....	43/18.1
2,306,638	12/1942	Meisler	.....	43/18.1
2,541,183	2/1951	Abele	.....	43/20
2,662,329	12/1953	Henry	.....	43/15

3,017,499	1/1962	Fore	.....	43/17.5
3,034,246	5/1962	Davidson	.....	D22/138
3,052,424	9/1962	Skraban	.....	43/21
4,458,438	7/1984	McCulley	.....	43/17
4,479,321	10/1984	Welstead	.....	43/17
4,552,318	11/1985	Durham	.....	242/84.1 K
4,617,751	10/1986	Johansson	.....	43/17.5
4,621,447	11/1986	Rhodes	.....	43/17.5
4,679,345	7/1987	Hall	.....	43/17
4,766,688	8/1988	Hiles	.....	43/17

### OTHER PUBLICATIONS

Brochure distributed by American Inventors Corporation approximately during Mar. 1993.

*Primary Examiner*—Doris V. Coles

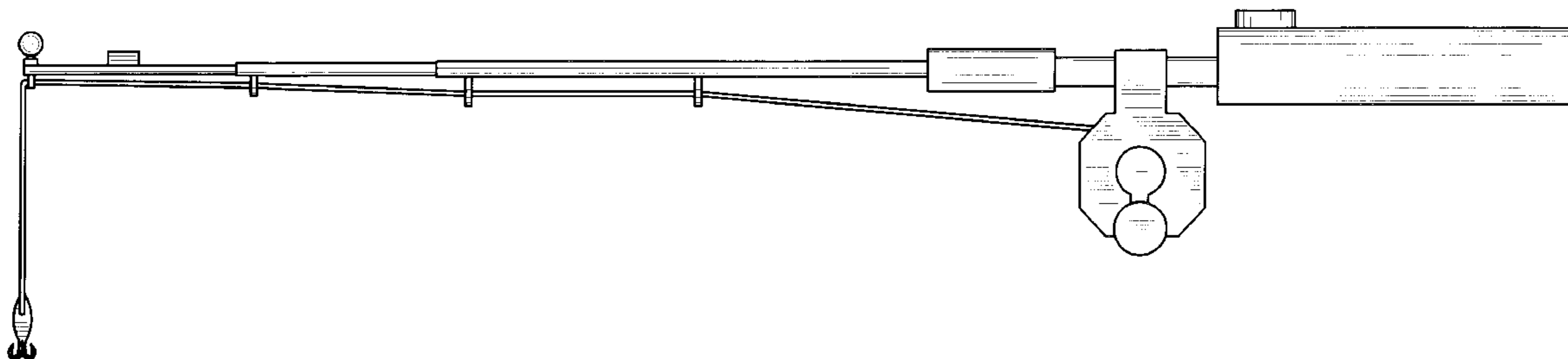
### [57] CLAIM

The ornamental design for a illuminated fishing rod, as shown and described.

### DESCRIPTION

FIG. 1 is a front elevational view of the illuminated fishing rod showing my new design; FIG. 2 is a rear elevational view thereof; FIG. 3 is a left side elevational view thereof; FIG. 4 is a right side elevational view thereof; FIG. 5 is a top plan view thereof; and, FIG. 6 is a bottom plan view thereof.

**1 Claim, 3 Drawing Sheets**



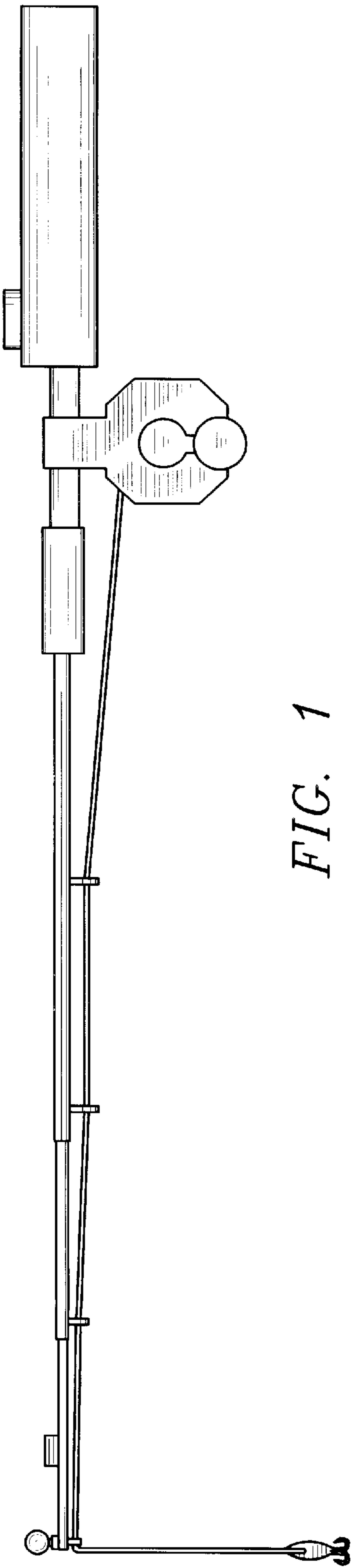


FIG. 1

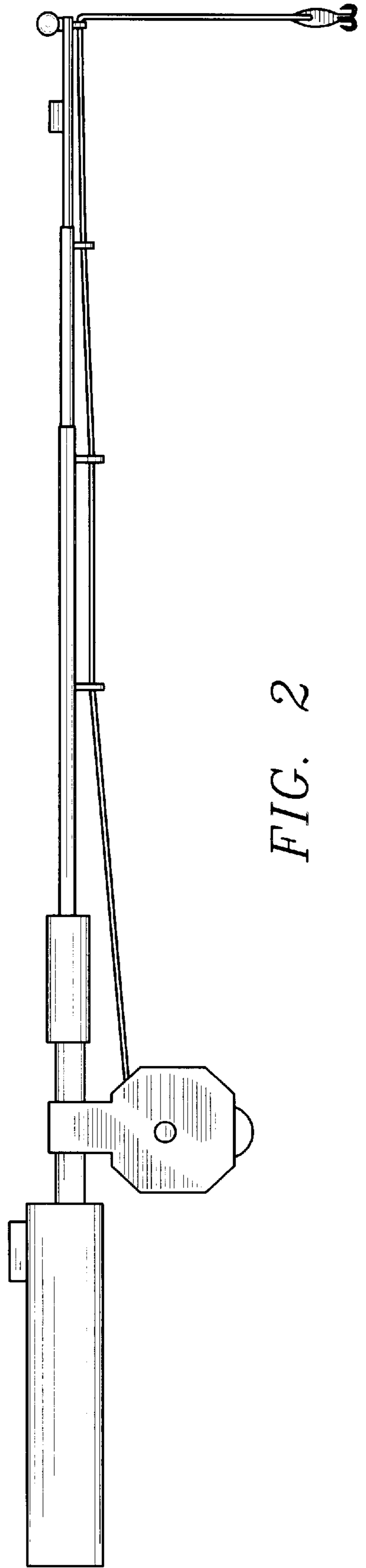
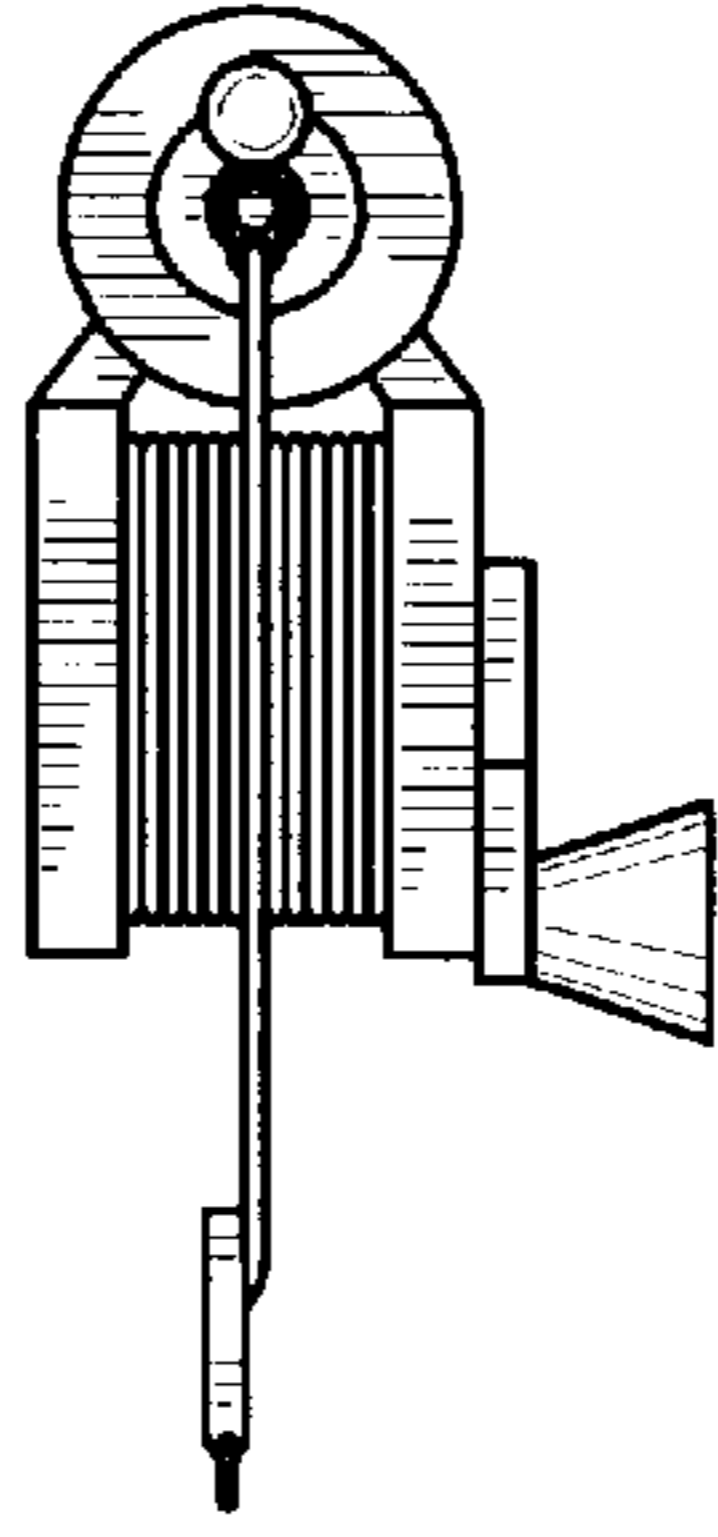
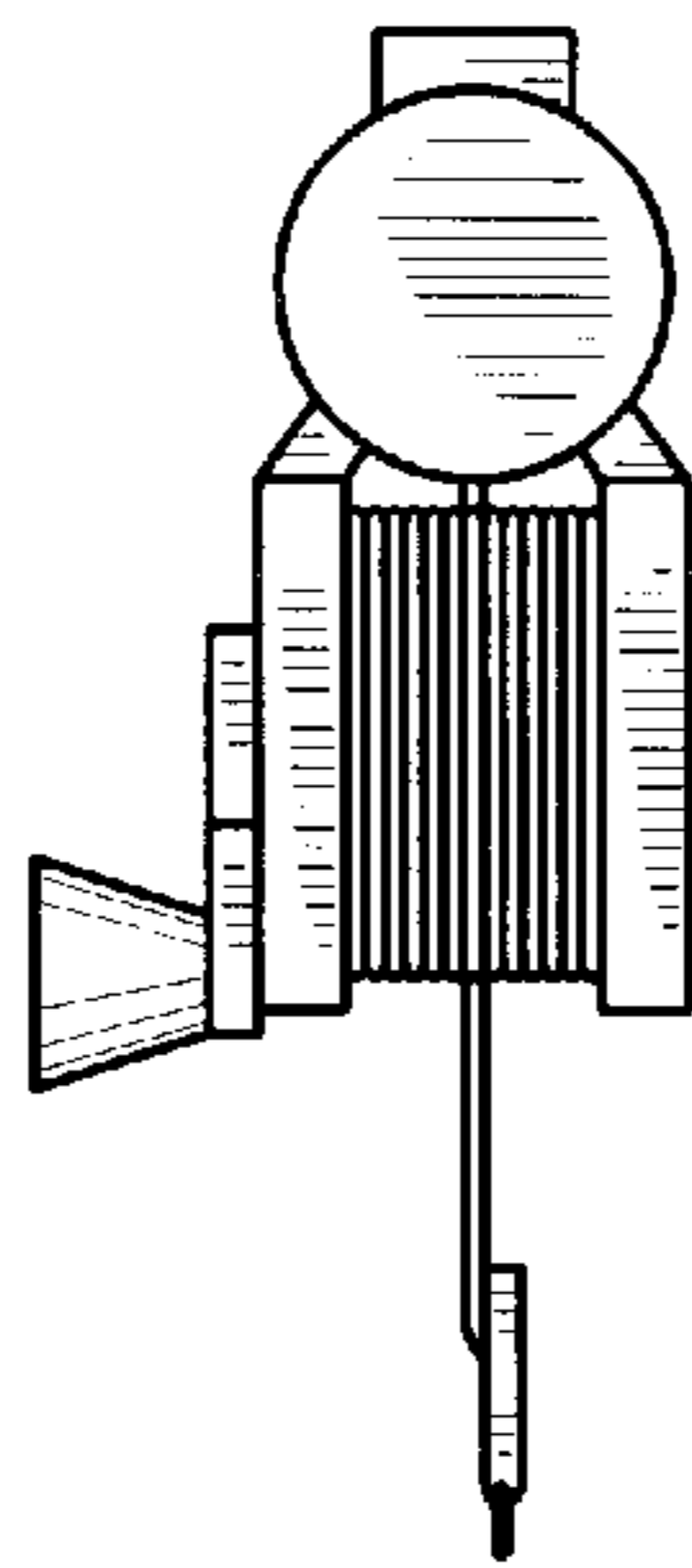


FIG. 2



*FIG. 3*



*FIG. 4*

FIG. 5

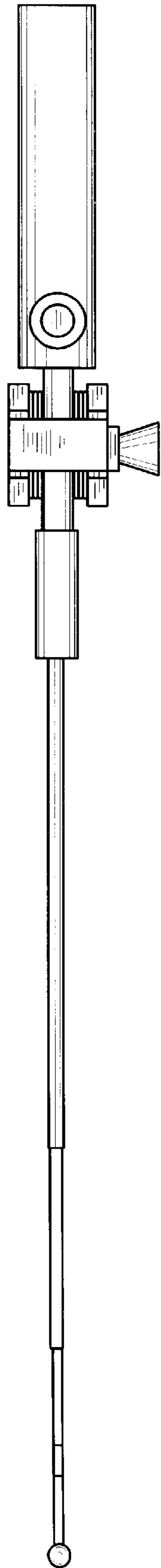


FIG. 6

