



US00D403722S

United States Patent [19]
Zimmer

[11] **Patent Number:** **Des. 403,722**

[45] **Date of Patent:** ****Jan. 5, 1999**

[54] **MOTOR HOUSING FOR CONSTRUCTION TOY SET**

5,346,420 9/1994 Glickman 446/90
5,738,558 4/1998 Zimmer et al. 446/90

[75] Inventor: **John Zimmer**, Blue Bell, Pa.

Primary Examiner—Raphael Barkai
Attorney, Agent, or Firm—Schweitzer Cornman Gross & Bondell LLP

[73] Assignee: **Connector Set Limited Partnership**, Hatfield, Pa.

[**] Term: **14 Years**

[57] **CLAIM**

The ornamental design for a motor housing for construction toy set, as shown and described.

[21] Appl. No.: **77,447**

DESCRIPTION

[22] Filed: **Oct. 3, 1997**

[51] **LOC (6) Cl.** **21-01**

[52] **U.S. Cl.** **D21/528**

[58] **Field of Search** D21/483-505,
D21/528; D13/112; D15/1, 7; 446/90

FIG. 1 is a perspective view thereof, as viewed from the rear and above;
FIG. 2 is a perspective view thereof, as viewed from the front and below;
FIG. 3 is a side elevation thereof from a first side;
FIG. 4 is a bottom plan view thereof;
FIG. 5 is a top plan view thereof;
FIG. 6 is a side elevation thereof from a second side;
FIG. 7 is a front elevation thereof;
FIG. 8 is a back elevation thereof.

[56] **References Cited**

U.S. PATENT DOCUMENTS

D. 310,816 9/1990 Sawato D13/112
D. 317,477 6/1991 Poulsen .
D. 383,509 9/1997 Karasaw .

1 Claim, 5 Drawing Sheets

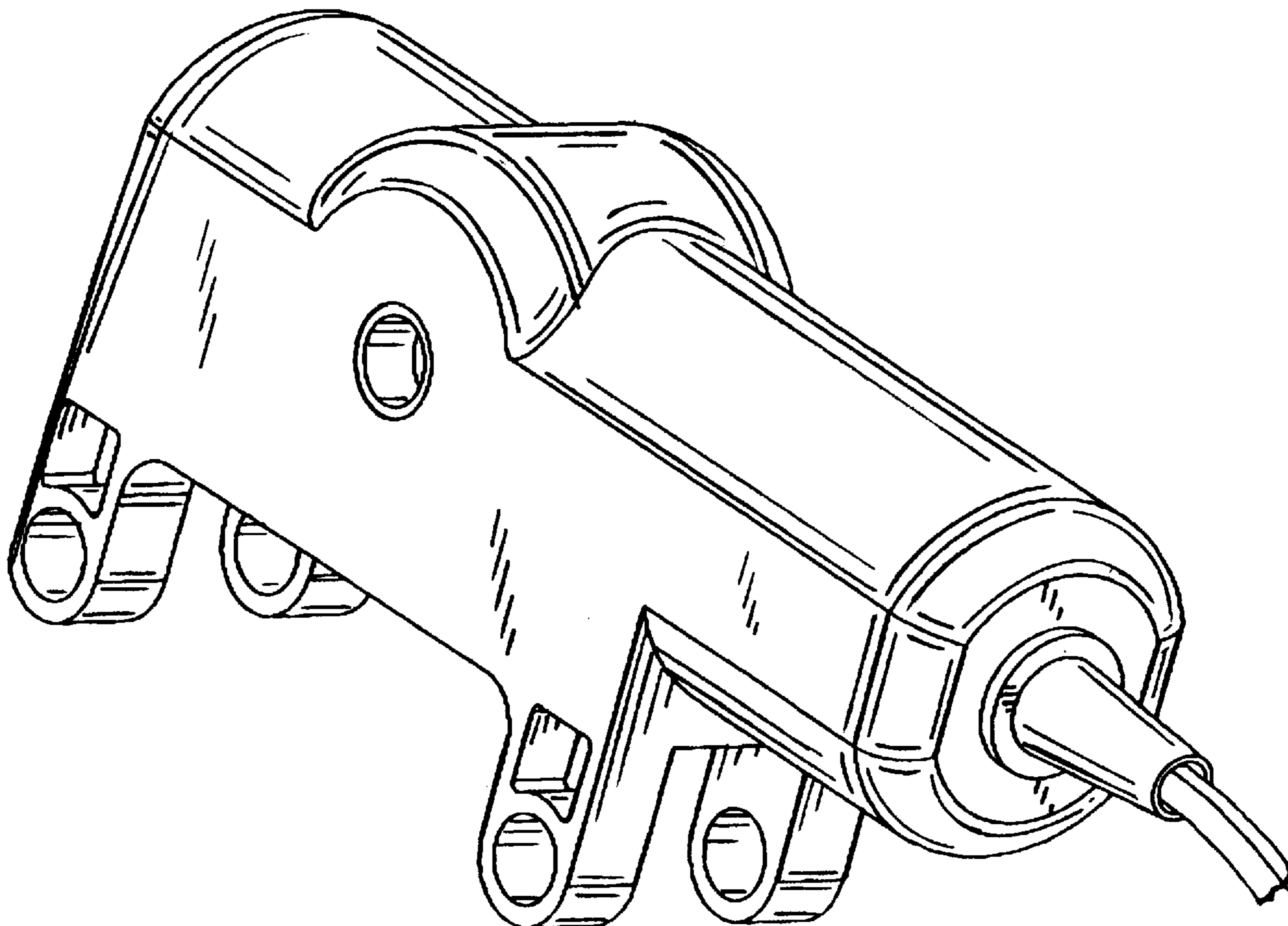
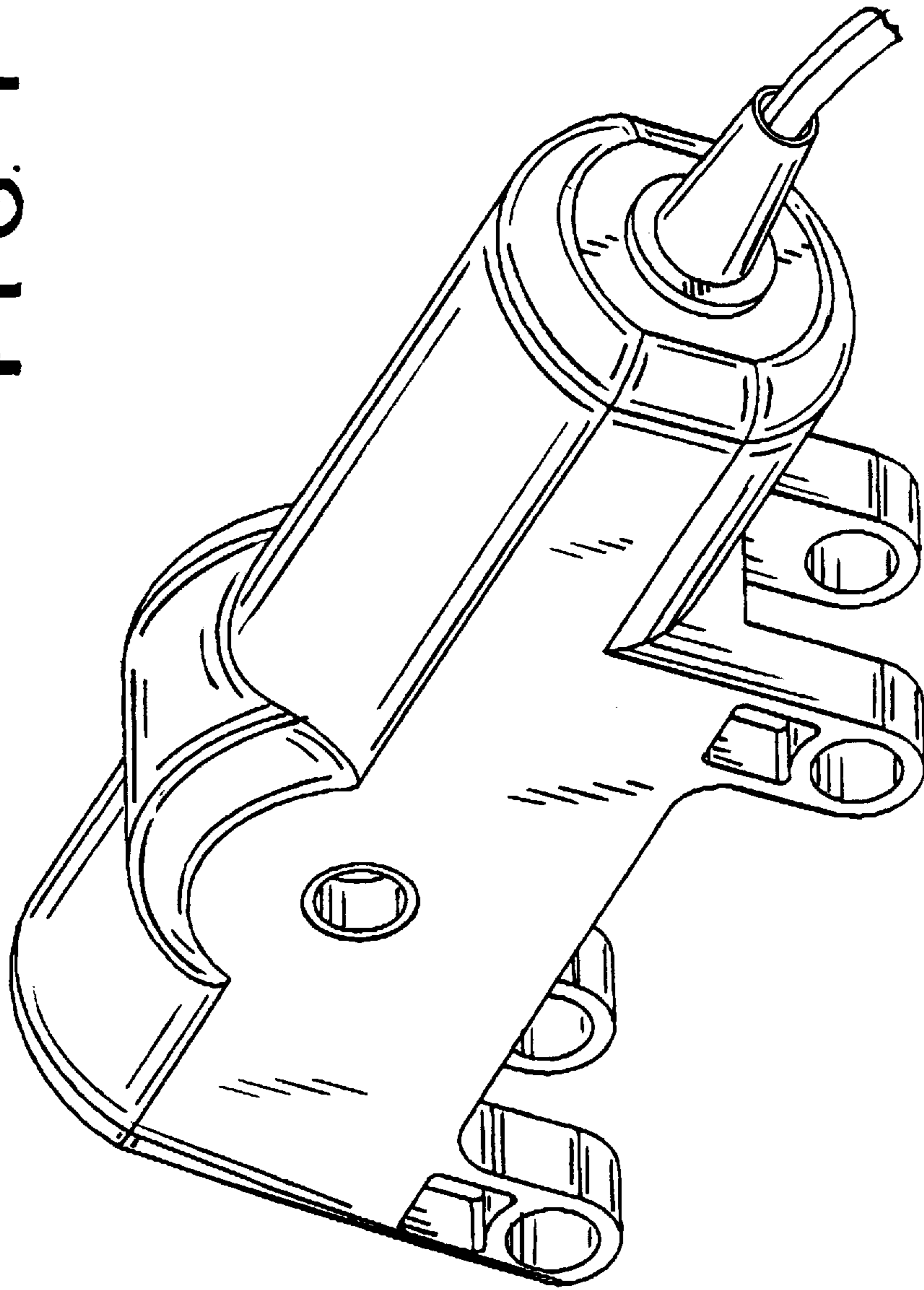


FIG. 1



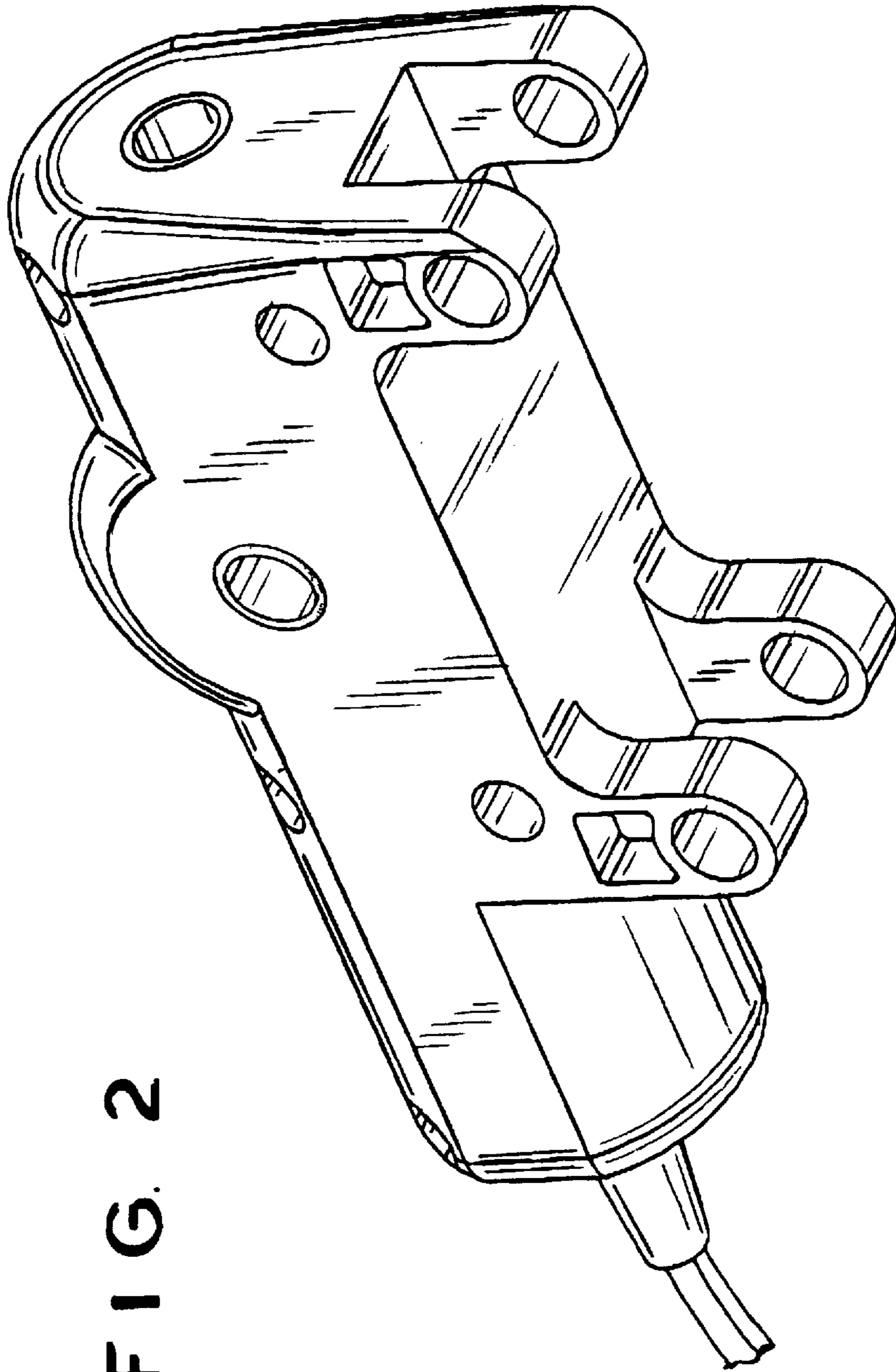


FIG. 2

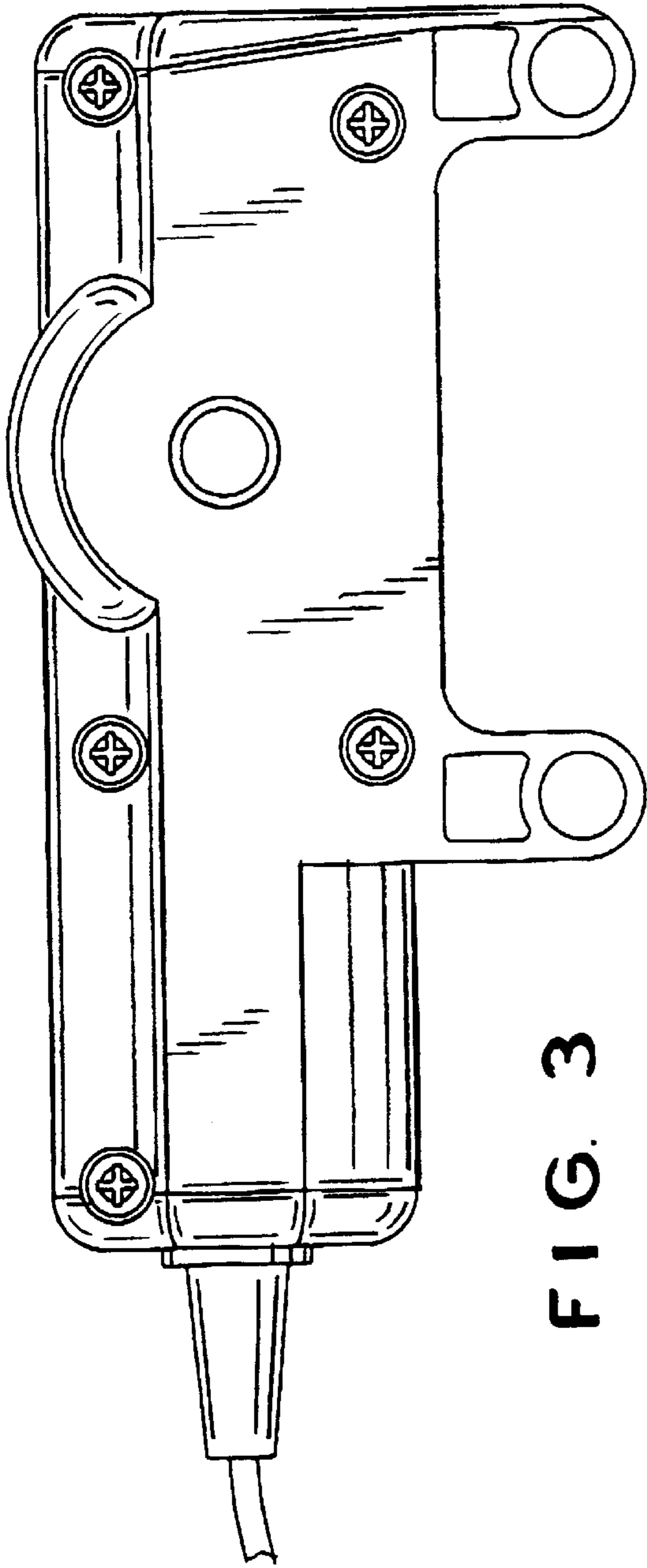


FIG. 3

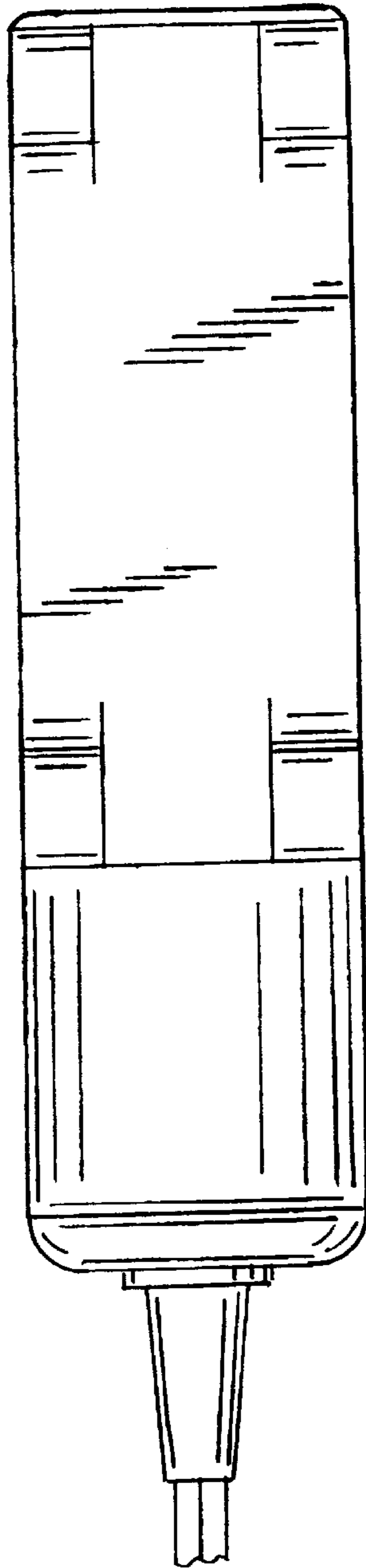


FIG. 4

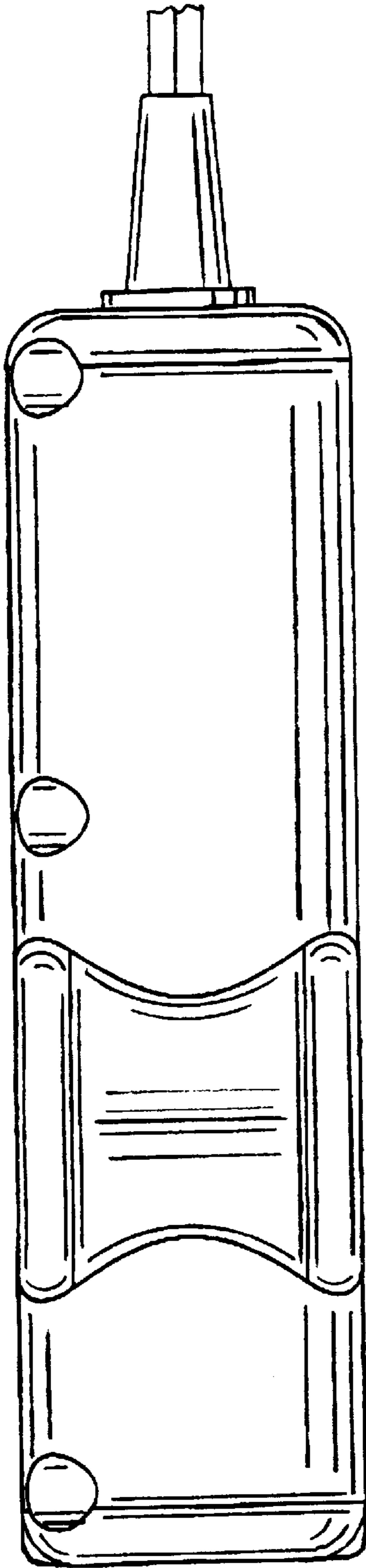


FIG. 5

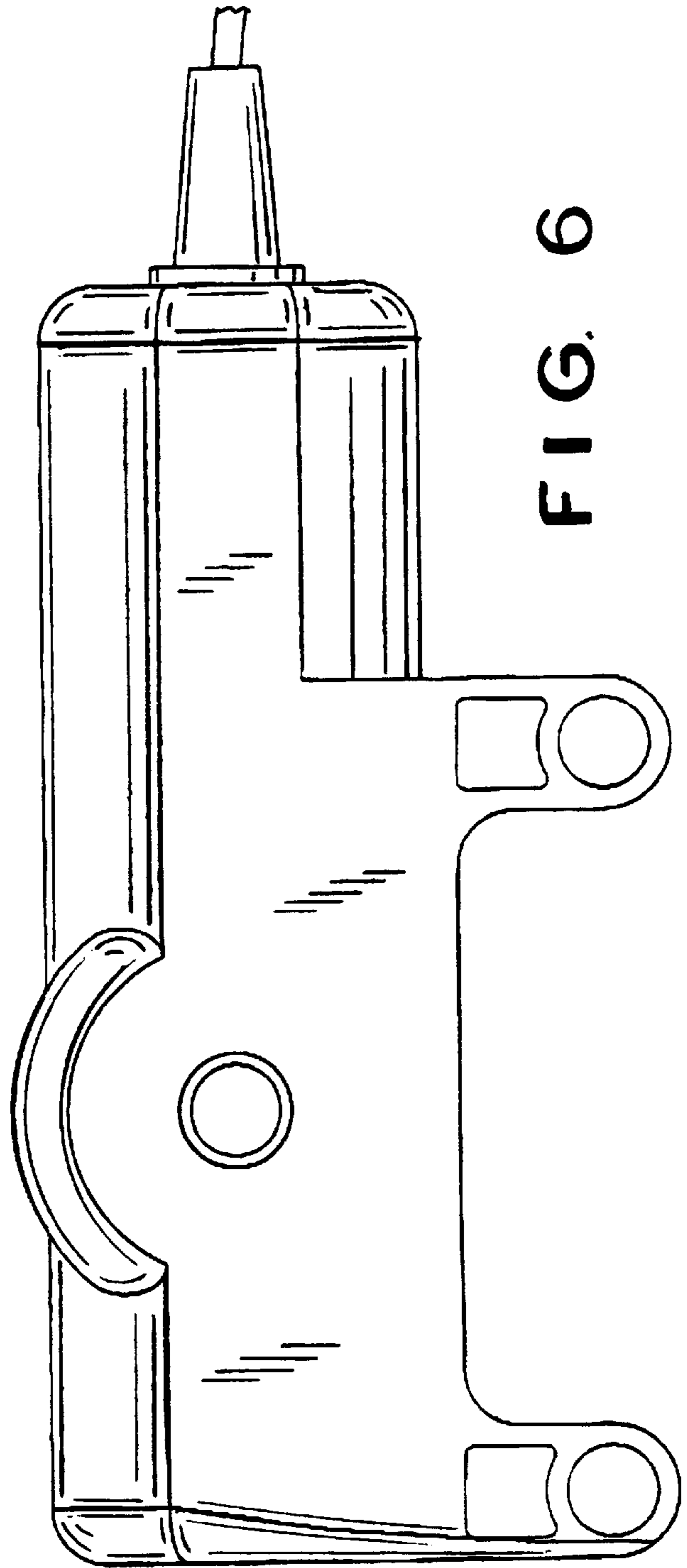


FIG. 6

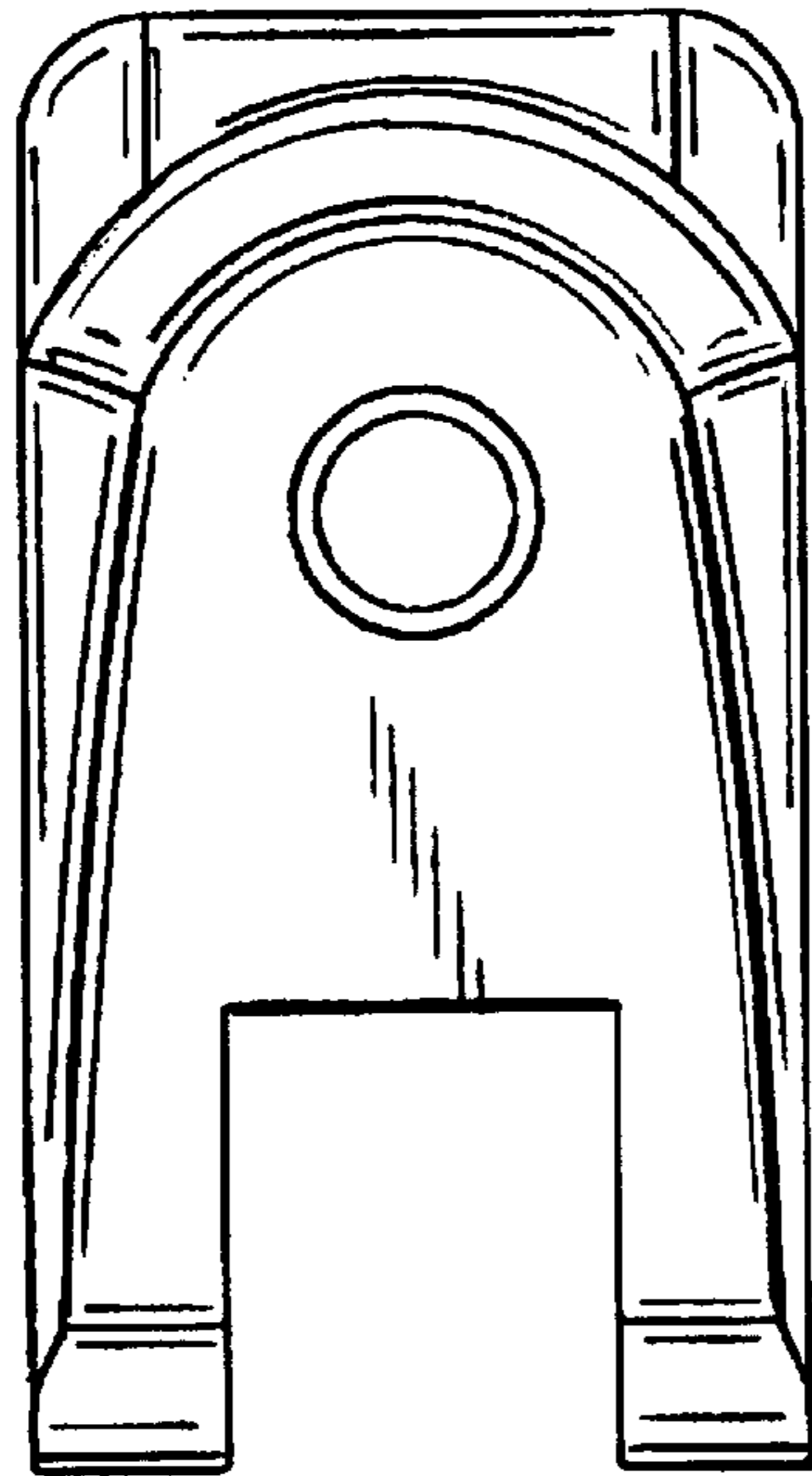


FIG. 7

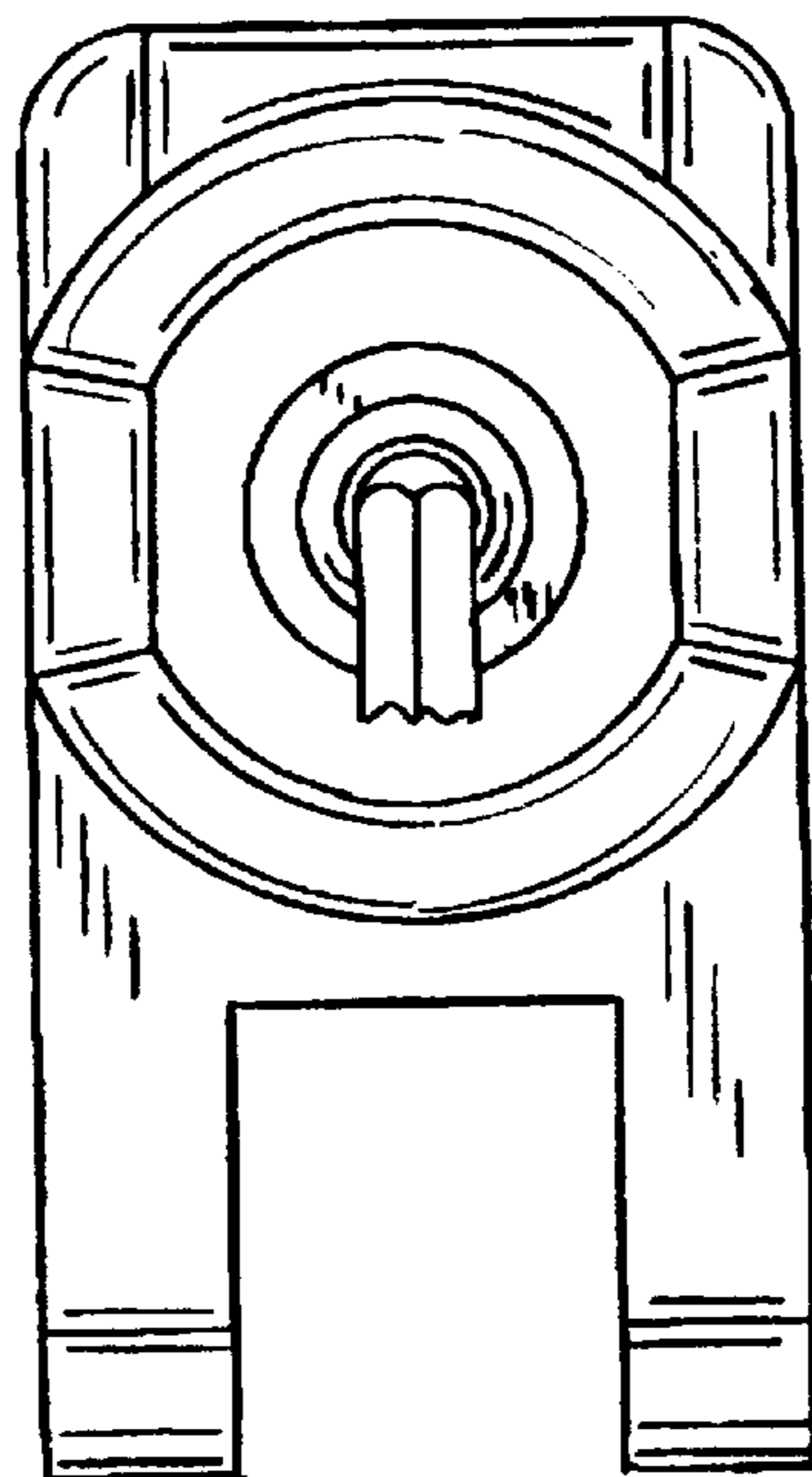


FIG. 8