



US00D403718S

United States Patent [19] Fuligni

[11] **Patent Number:** **Des. 403,718**

[45] **Date of Patent:** ****Jan. 5, 1999**

[54] **CHILD'S ACTIVITY CENTER**

[75] Inventor: **Matthew R. Fuligni**, Twinsburg, Ohio

[73] Assignee: **The Little Tikes Company**, Hudson, Ohio

[**] Term: **14 Years**

[21] Appl. No.: **83,324**

[22] Filed: **Feb. 6, 1998**

[51] **LOC (6) Cl.** **21-01**

[52] **U.S. Cl.** **D21/475**

[58] **Field of Search** D21/475, 506;
446/227, 487

[56] **References Cited**

U.S. PATENT DOCUMENTS

D. 187,218	2/1960	McHugh	D21/475
D. 266,682	10/1982	Airlie	D21/475
D. 284,293	6/1986	Thomson et al.	D21/475
D. 288,943	3/1987	Kroll	D21/475
D. 371,810	7/1996	Arad et al.	D21/475
984,735	2/1911	Bailey	.	
1,647,733	11/1927	Keichline	.	
1,756,526	4/1930	Thompson	.	
3,108,398	10/1963	Einfalt	.	
4,342,173	8/1982	Otake	.	
4,536,162	8/1985	Ace, Jr. et al.	.	
4,696,652	9/1987	Reeder et al.	.	

4,764,142 8/1988 Griffith et al. .

4,883,443 11/1989 Chase .

5,544,870 8/1996 Kelley et al. .

OTHER PUBLICATIONS

Fisher-Price "Toyfair '95" advertisement, 3 pages (1995).
Playskool "Ages & Stages, Toy Fair 1994" advertisement, 3 pages (1994).

The Maya Group, Inc. "Tiny Love Soft Developmental Toys" advertisement, 1 page (1998).

Primary Examiner—Dominic Simone

Attorney, Agent, or Firm—Renner, Kenner, Greive, Bobak, Taylor & Weber

[57] **CLAIM**

The ornamental design for a child's activity center, as shown and described.

DESCRIPTION

FIG. 1 is a front perspective view of a child's activity center showing my new design;

FIG. 2 is a front elevational view thereof;

FIG. 3 is a rear elevational view thereof;

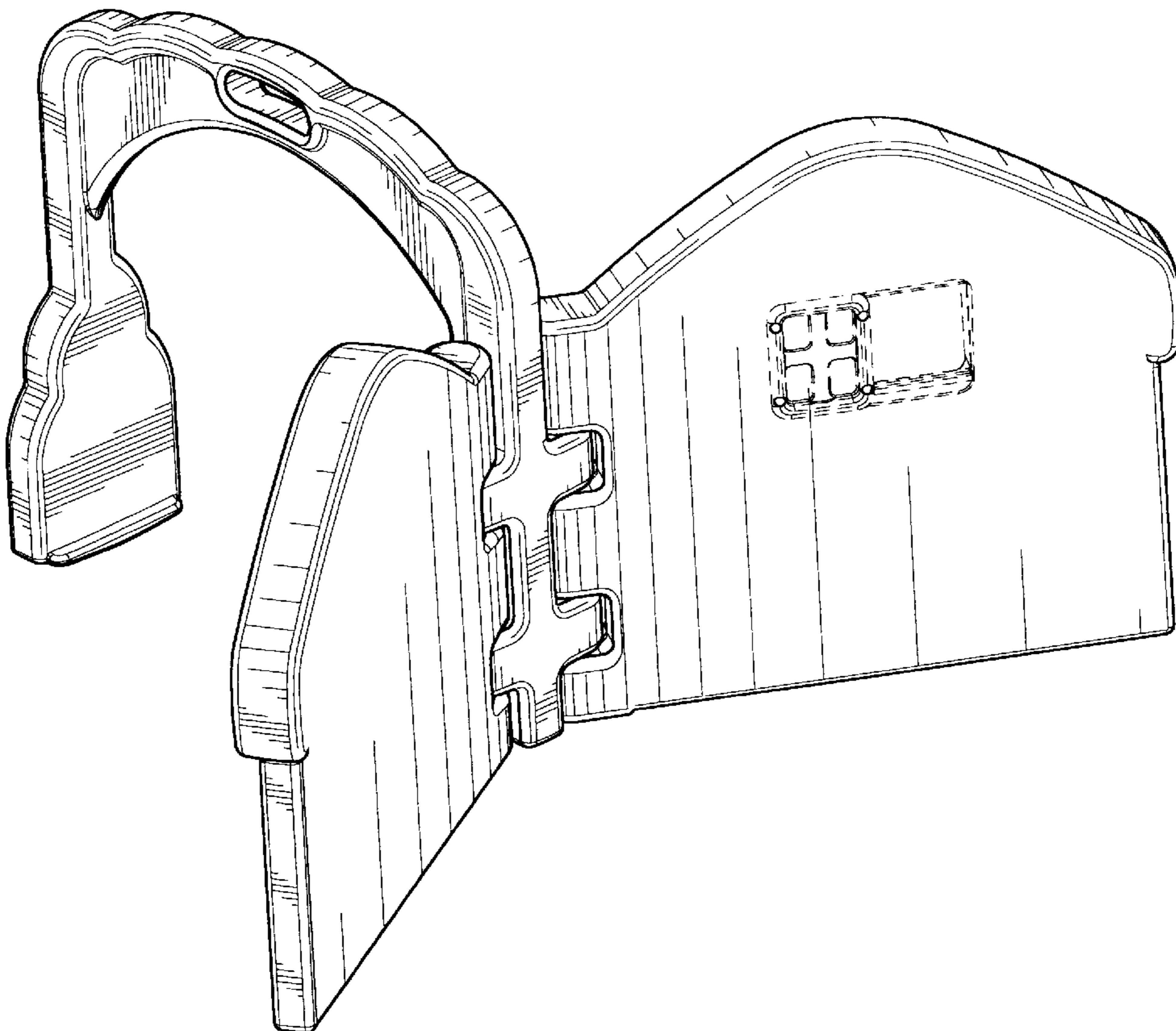
FIG. 4 is a left side elevational view thereof;

FIG. 5 is a right side elevational view thereof;

FIG. 6 is a top plan view thereof, and,

FIG. 7 is a bottom plan view thereof.

1 Claim, 6 Drawing Sheets



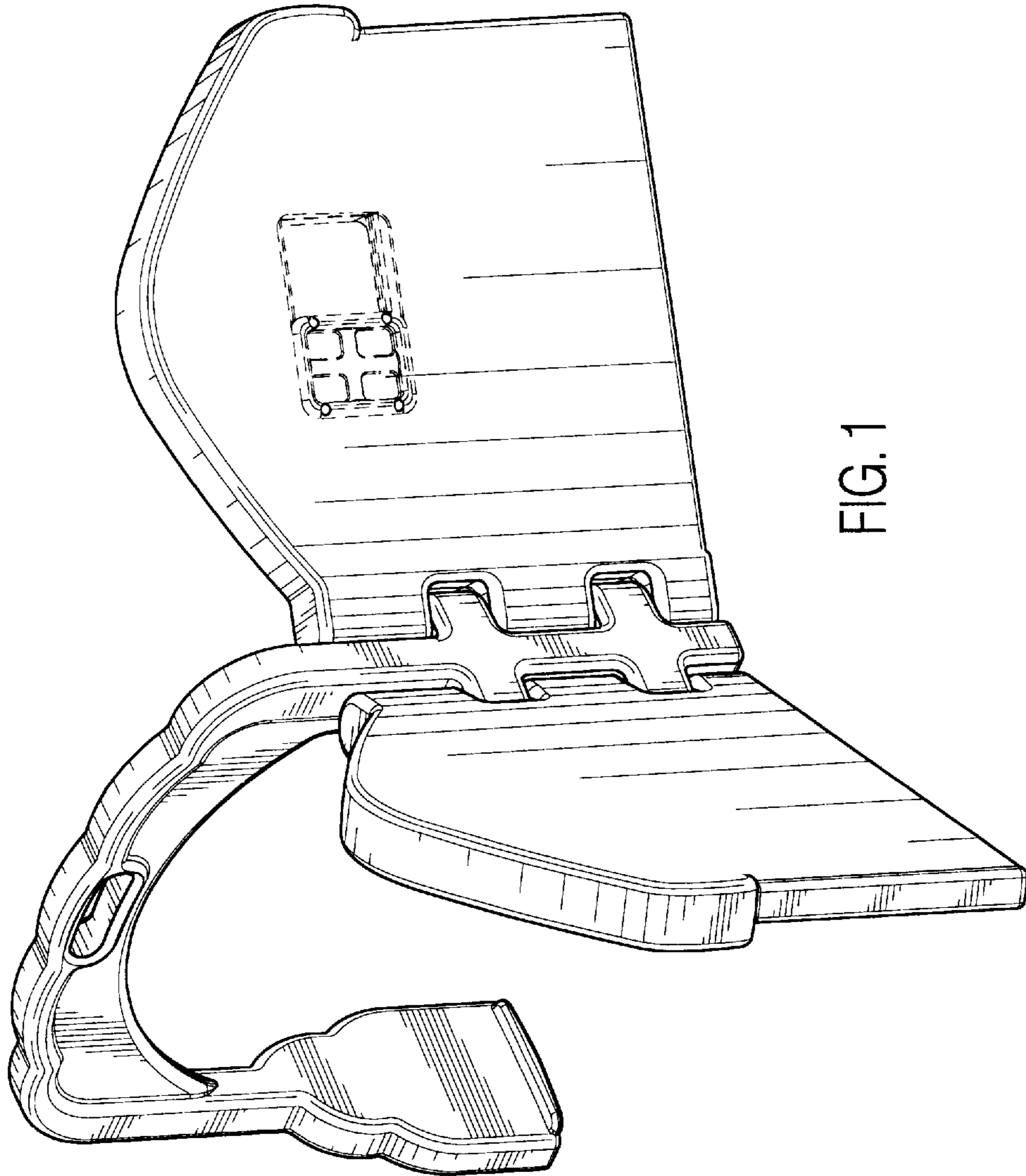


FIG. 1

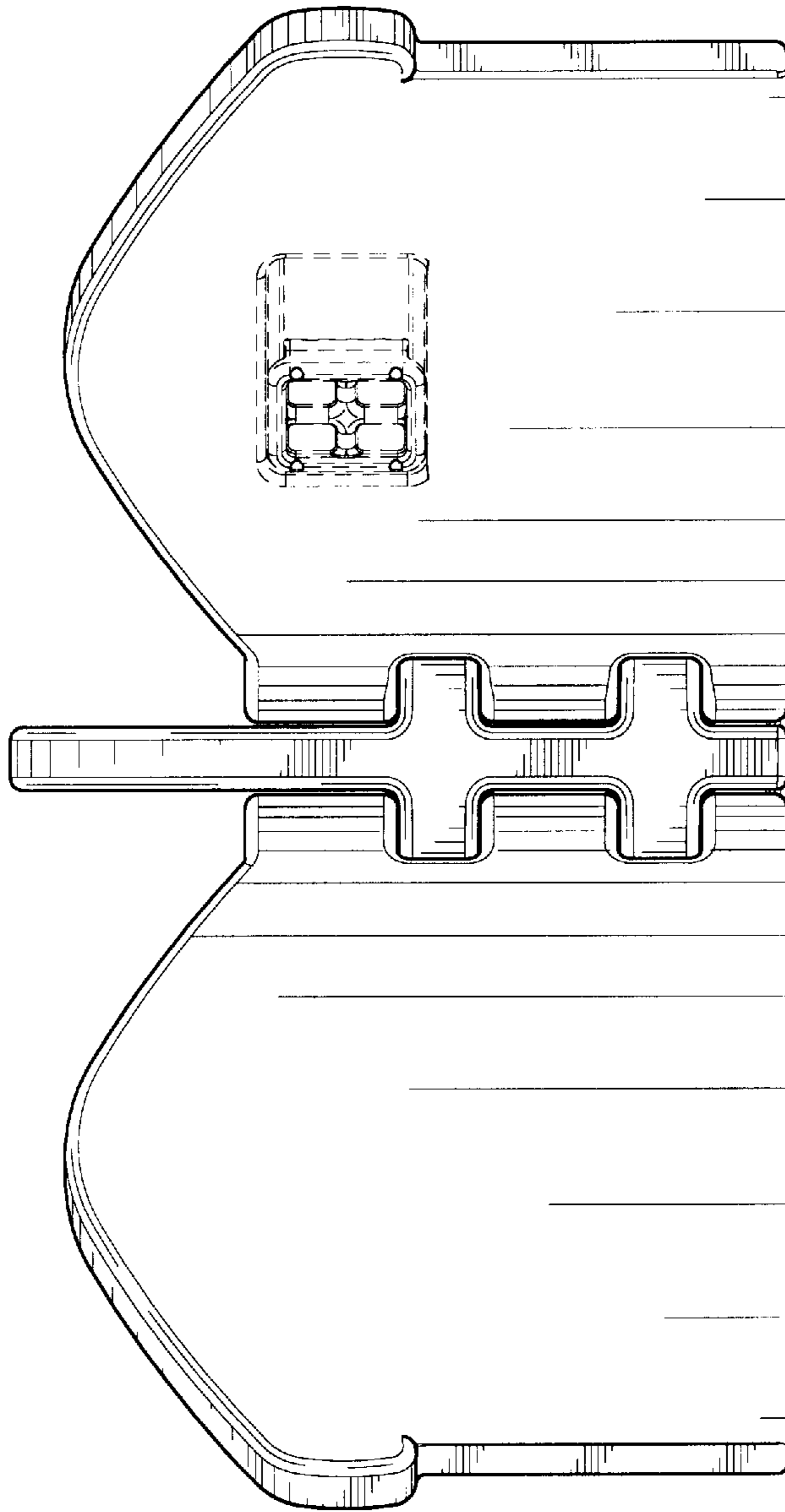


FIG. 2

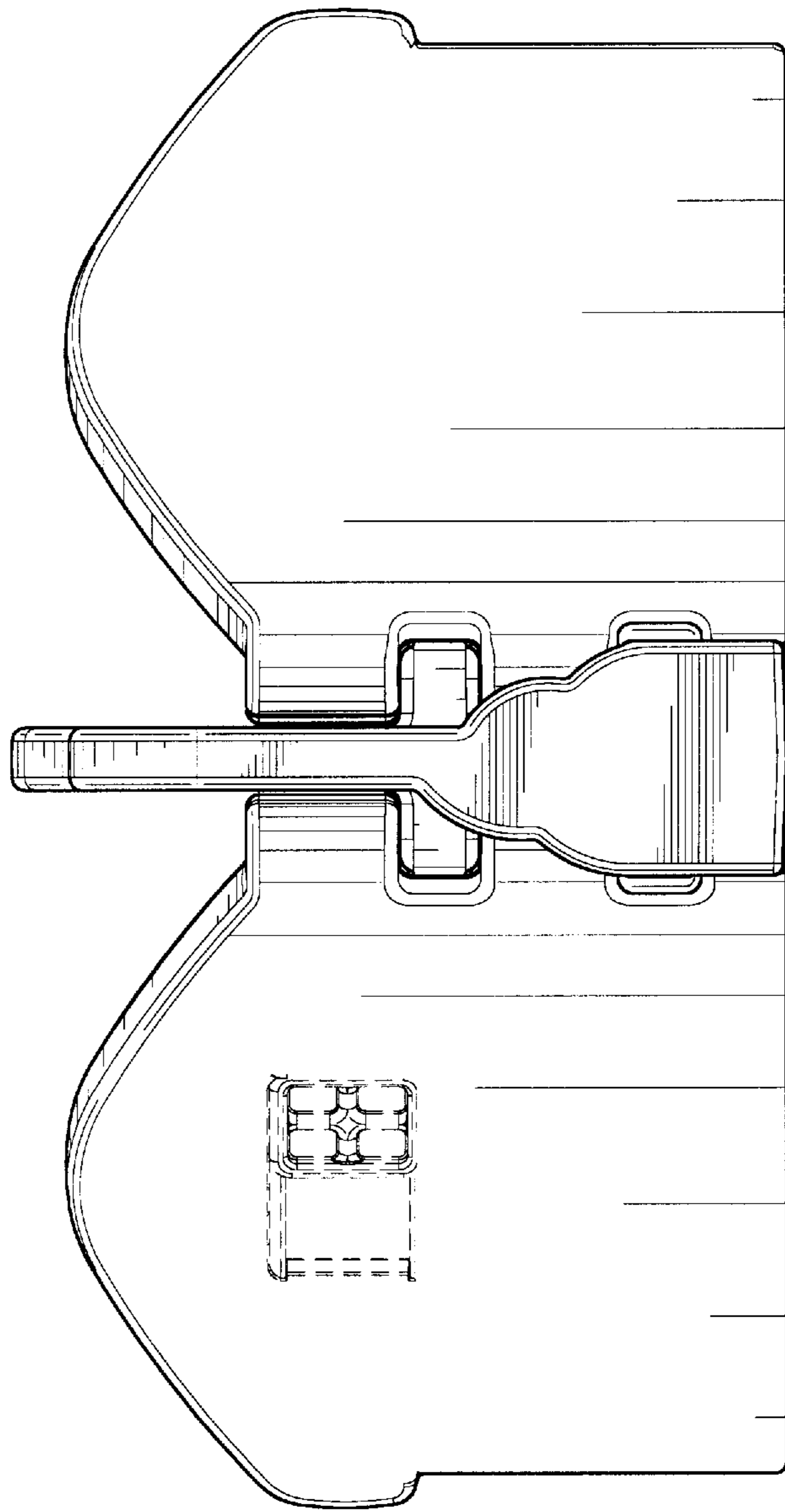


FIG. 3

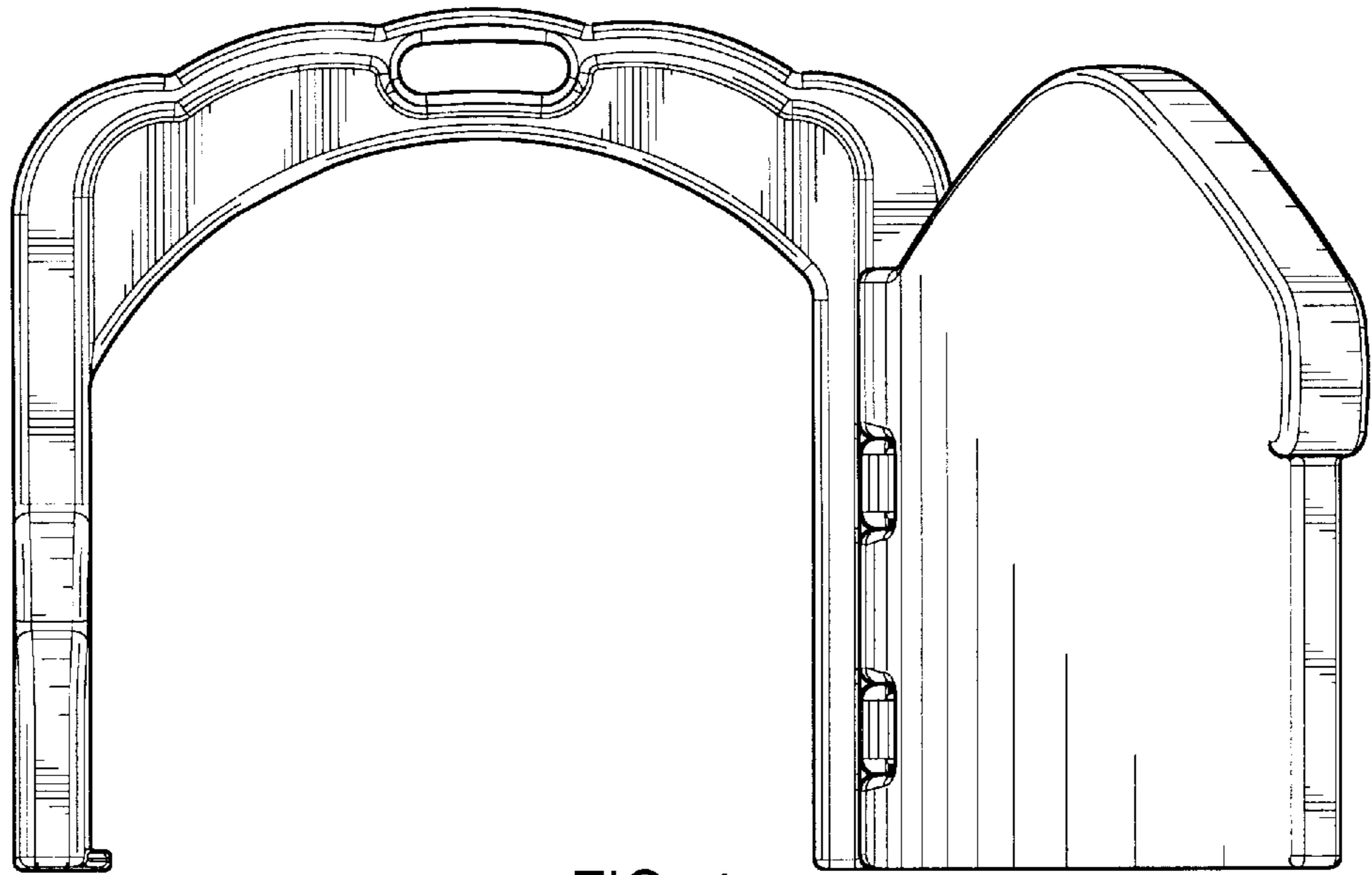


FIG. 4

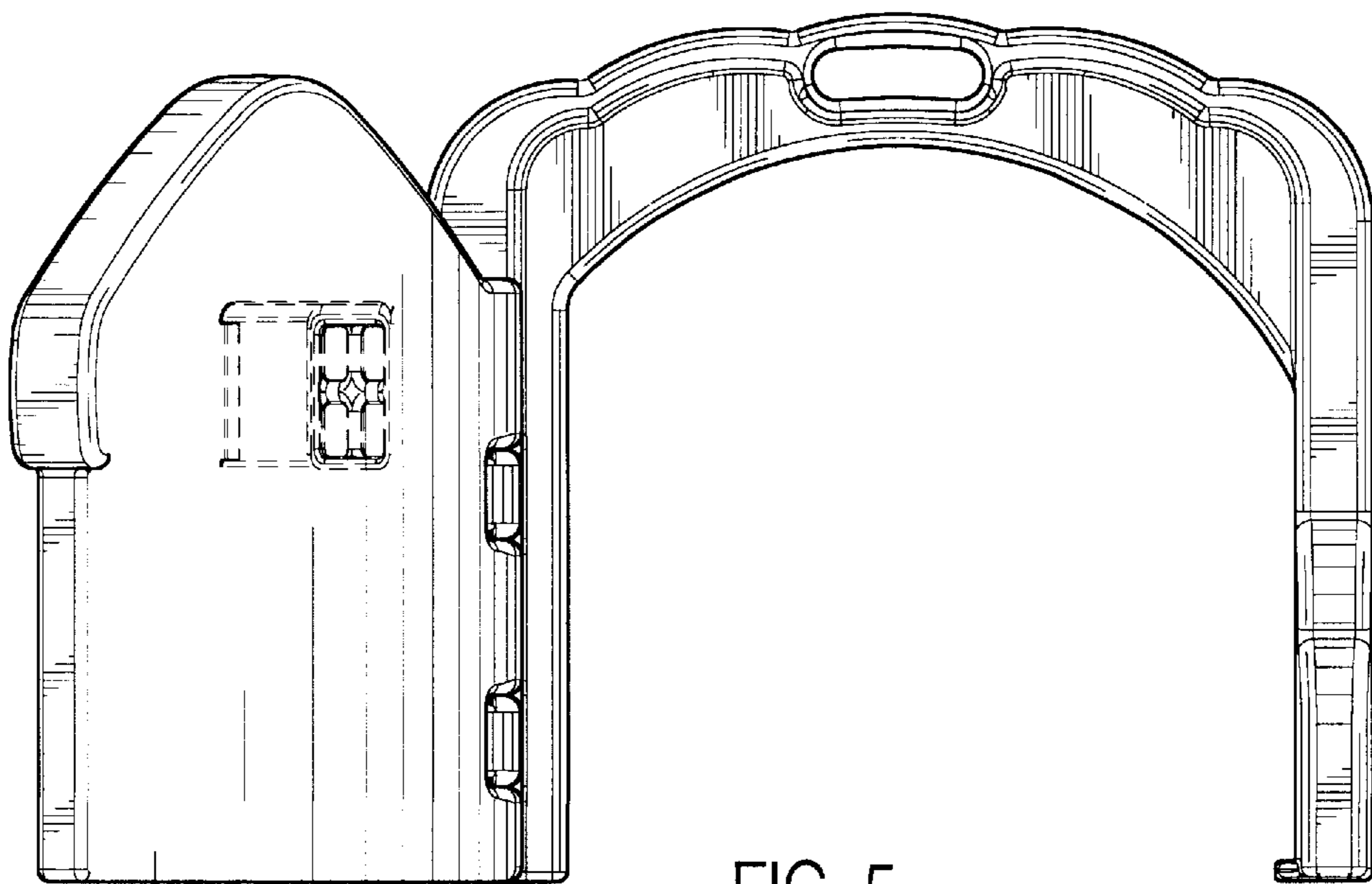


FIG. 5

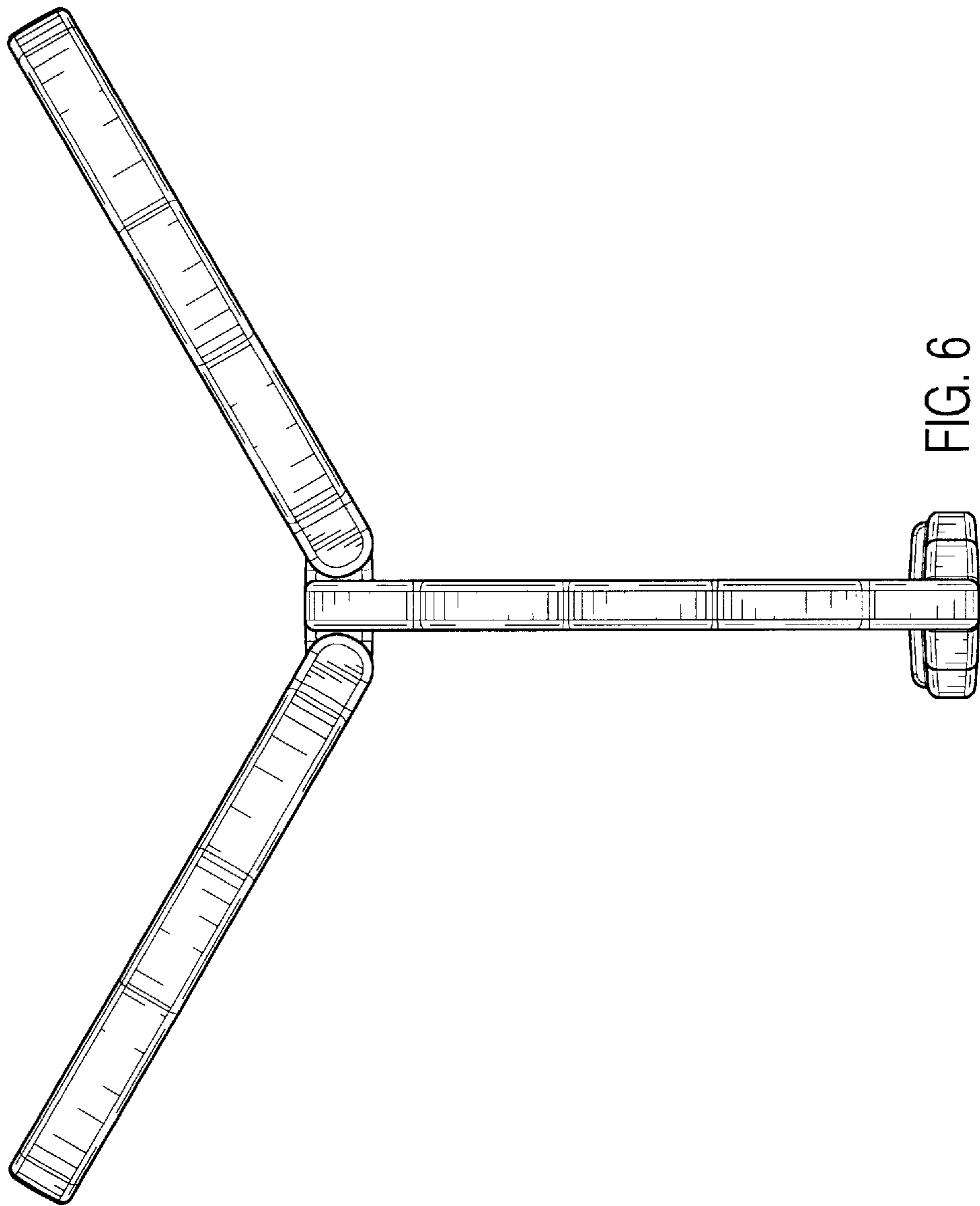


FIG. 6

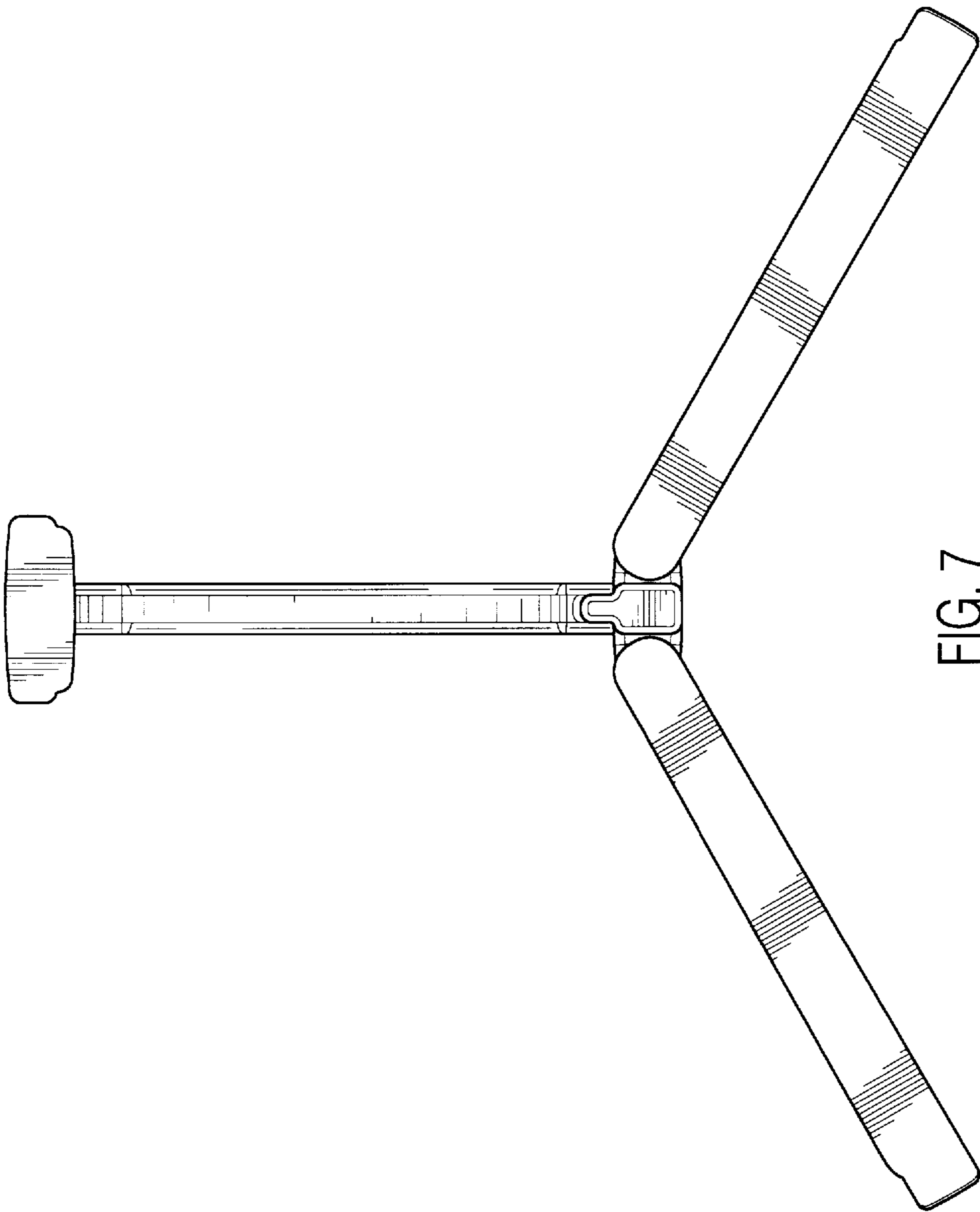


FIG. 7