



US00D403715S

# United States Patent [19] Keegan et al.

[11] **Patent Number:** **Des. 403,715**  
[45] **Date of Patent:** **\*\*Jan. 5, 1999**

[54] **CHILD'S RIDING TOY**  
[75] Inventors: **Charles H. Keegan**, Pawtucket, R.I.;  
**Brian C. Sundberg**, Franklin, Mass.  
[73] Assignee: **Safety 1st, Inc.**, Chestnut Hill, Mass.  
[\*\*] Term: **14 Years**  
[21] Appl. No.: **78,222**  
[22] Filed: **Oct. 24, 1997**  
[51] **LOC (6) Cl.** ..... **21-01**  
[52] **U.S. Cl.** ..... **D21/414; D21/433**  
[58] **Field of Search** ..... D21/66-81, 128,  
D21/131, 134, 136, 137, 140; 280/87.01,  
87.021, 828, 1.13; D6/345, 358, 334, 348;  
446/440, 465, 469, 470, 275

4,699,392 10/1987 Ku .  
4,844,209 7/1989 Sedlack .  
5,080,383 1/1992 Hsieh .  
5,449,185 9/1995 Sykes .  
5,590,892 1/1997 Hu .

### FOREIGN PATENT DOCUMENTS

WO97/17118 5/1997 WIPO .  
WO97/38887 10/1997 WIPO .

*Primary Examiner*—Raphael Barkai  
*Attorney, Agent, or Firm*—Wolf, Greenfield & Sacks, P.C.

### [57] CLAIM

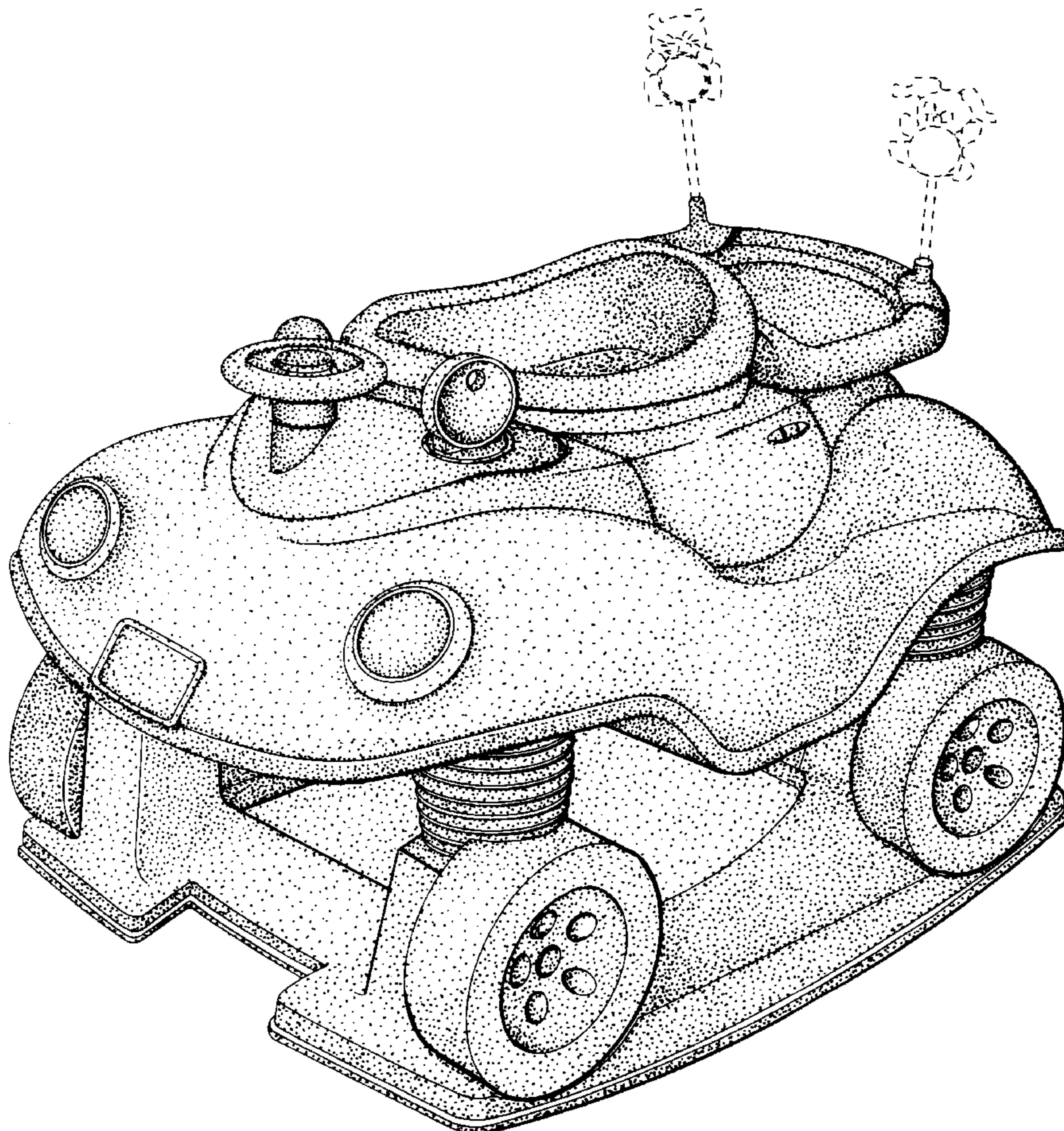
The ornamental design for a child's riding toy, as shown and described.

### DESCRIPTION

FIG. 1 is a perspective view of a child's riding toy embodying our own design;  
FIG. 2 is a right side elevation view thereof; the left side elevation view being a mirror image thereof;  
FIG. 3 is a front elevation view thereof;  
FIG. 4 is a rear elevation view thereof; and,  
FIG. 5 is a top plan view thereof.  
The toys shown in broken lines in the drawings do not form part of the invention.

[56] **References Cited**  
**U.S. PATENT DOCUMENTS**  
D. 142,512 10/1945 Cronk ..... D6/345  
D. 152,785 2/1949 Hillard ..... D21/134  
D. 161,111 12/1950 Kregger ..... D6/345  
D. 225,872 1/1973 Burke ..... D21/78  
D. 326,289 5/1992 Kassai ..... D21/71  
D. 347,528 6/1994 Lee ..... D6/358  
D. 391,309 2/1998 Meeker et al. .... D21/66

**1 Claim, 5 Drawing Sheets**





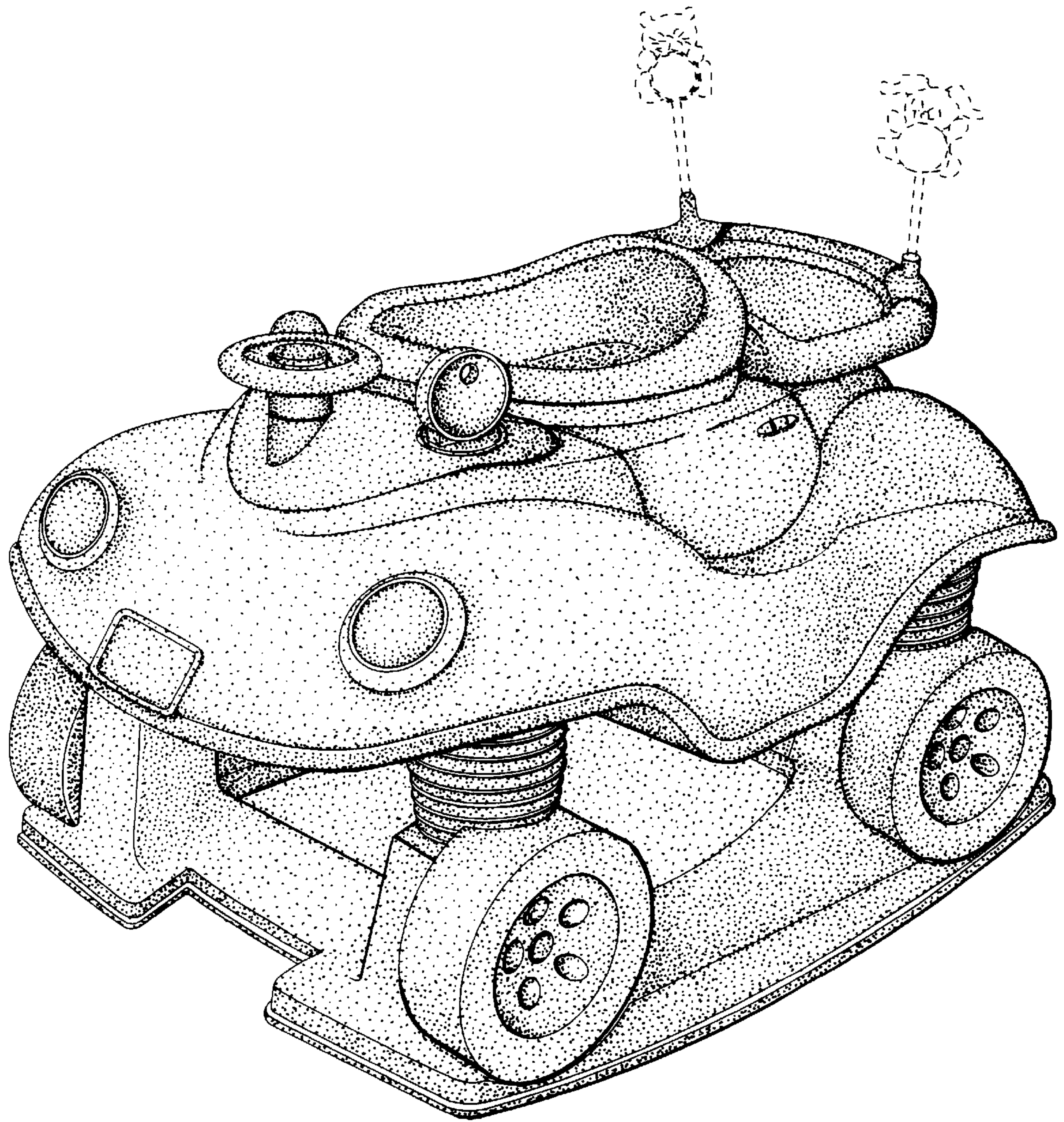


Fig. 1

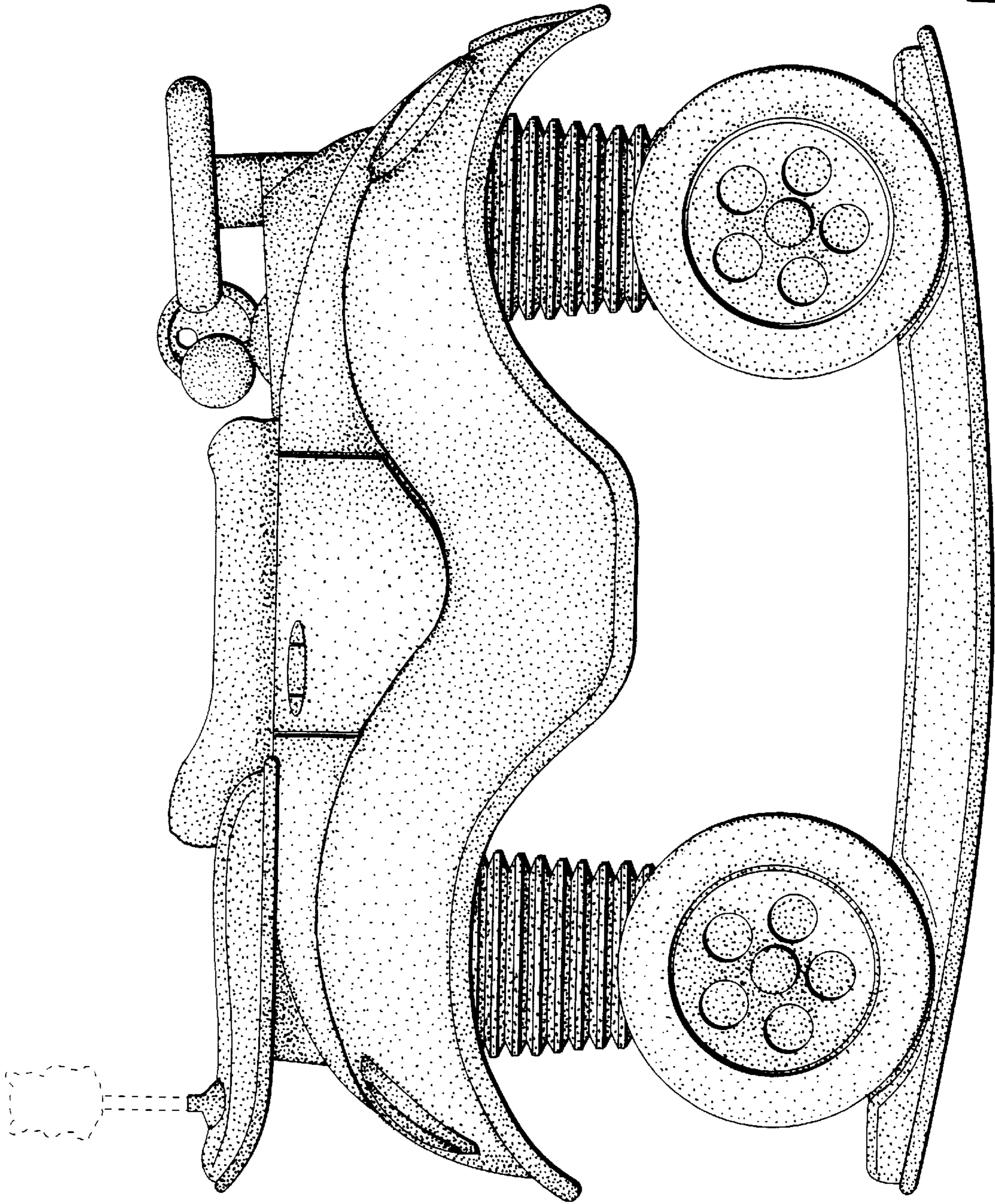


Fig. 2



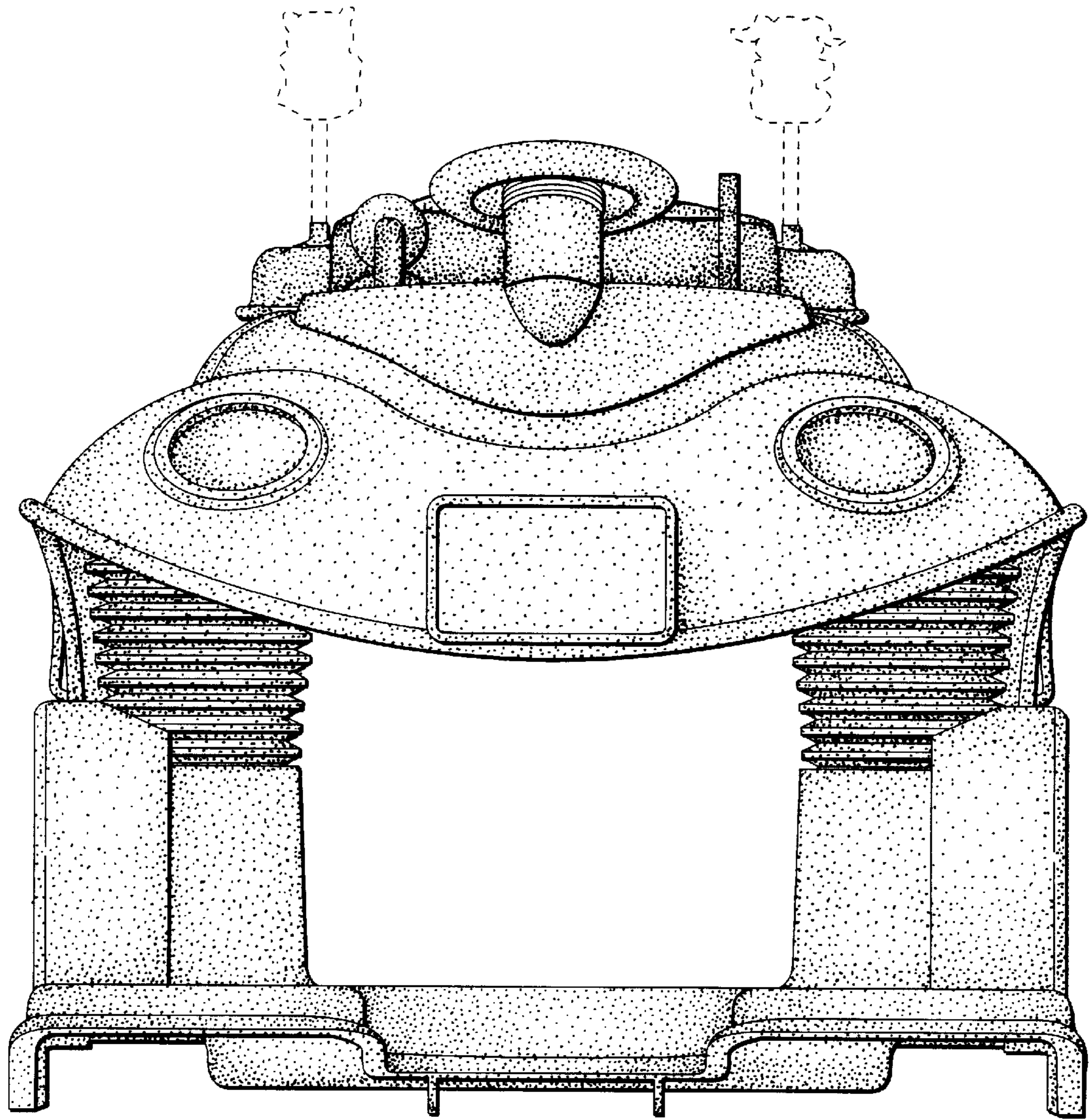


Fig. 3

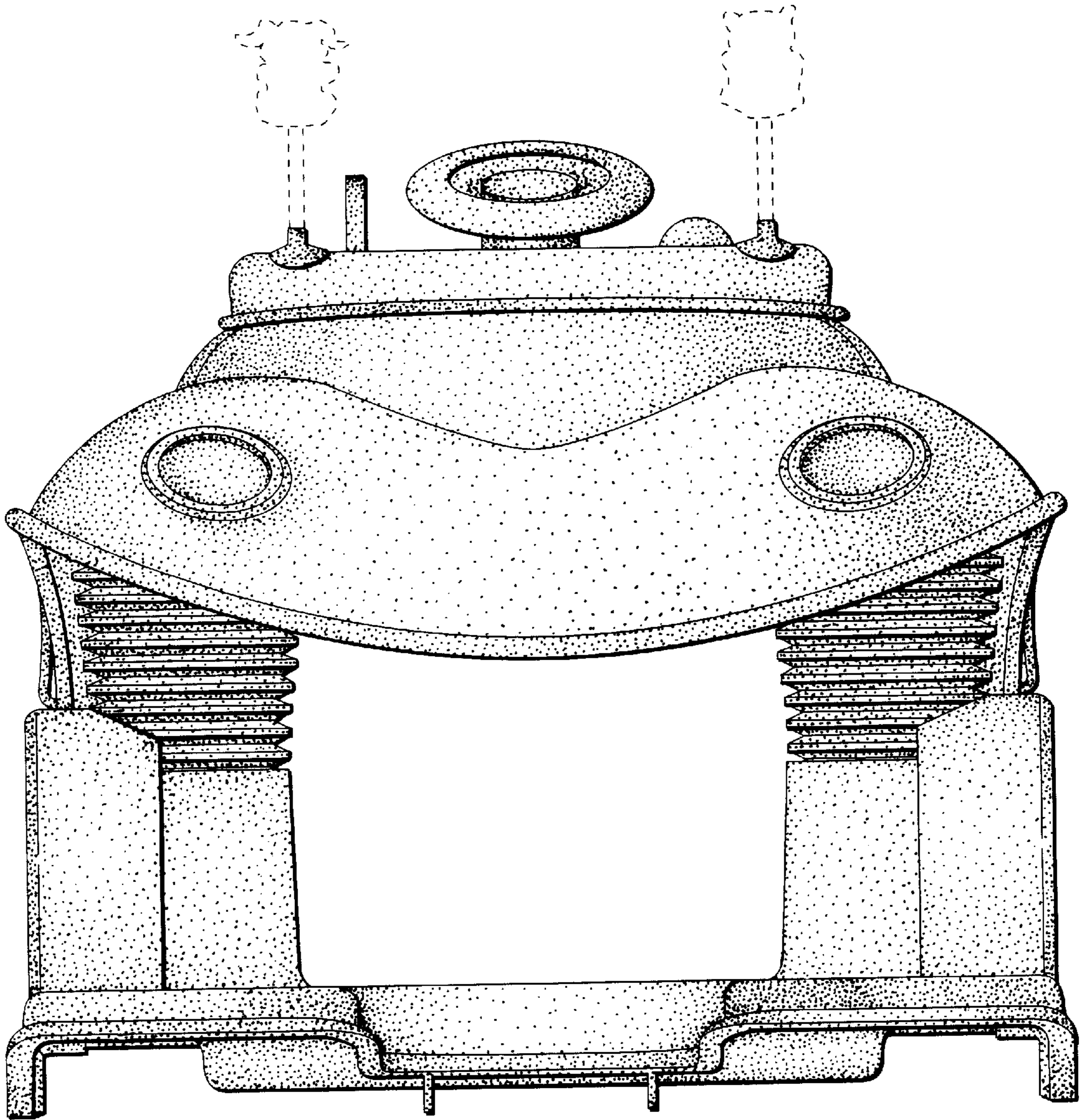


Fig. 4



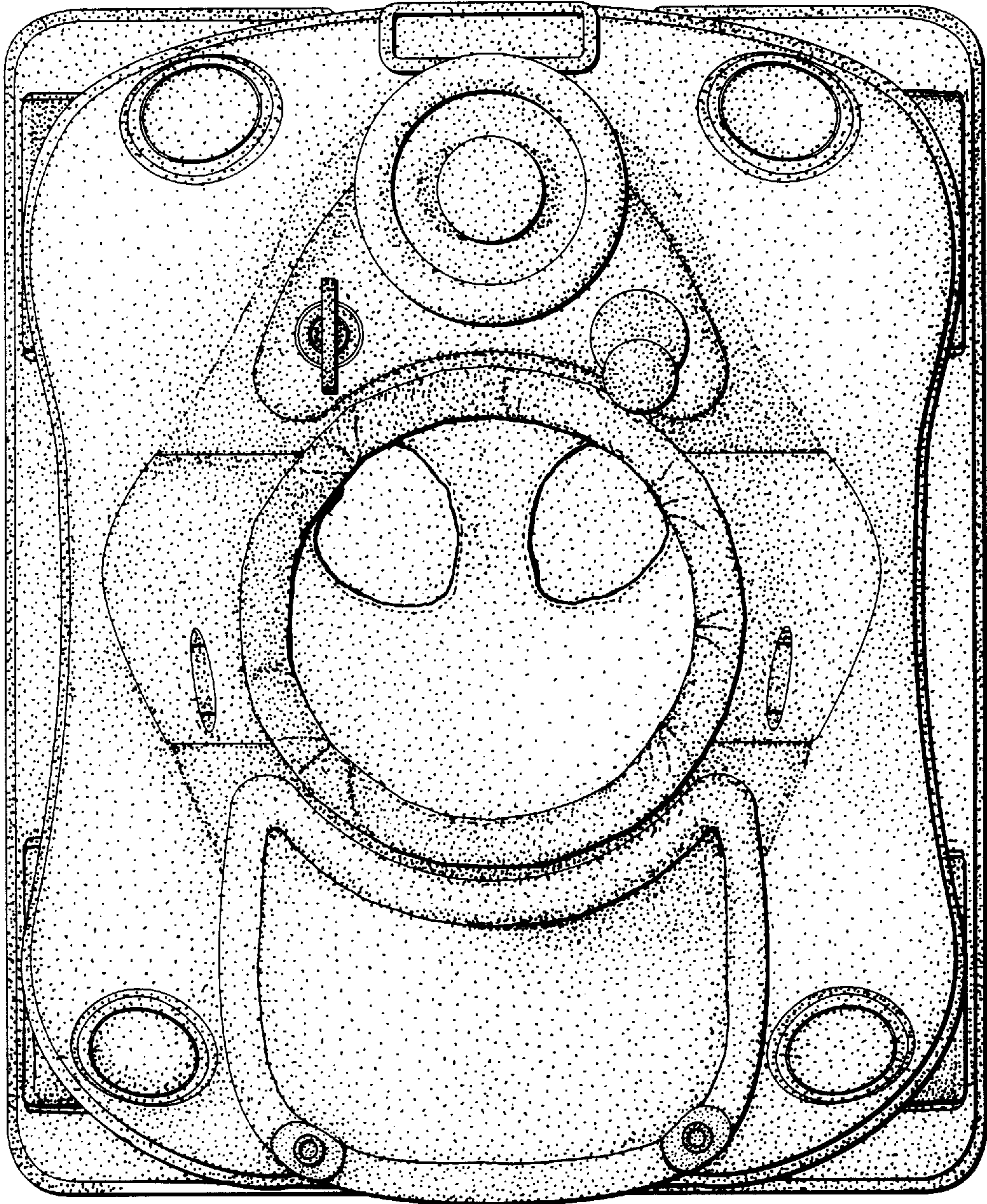


Fig. 5